



# CASE OVERVIEW FOR PIPE PRESS SOLUTIONS





**TOOL CASE FOR TOOLS ONLY**

05.2023 / Version 1.1

**NPR 19-22 Small #2315791 (NURON) & NPR 32-22 Small #2316177 (NURON)**

**NPR 19 IE-A Small #2214938 & NPR 32 IE-A Small #2215230**



NPR 19-22 Small #2315791 (NURON)  
NPR 32-22 Small #2316177 (NURON)



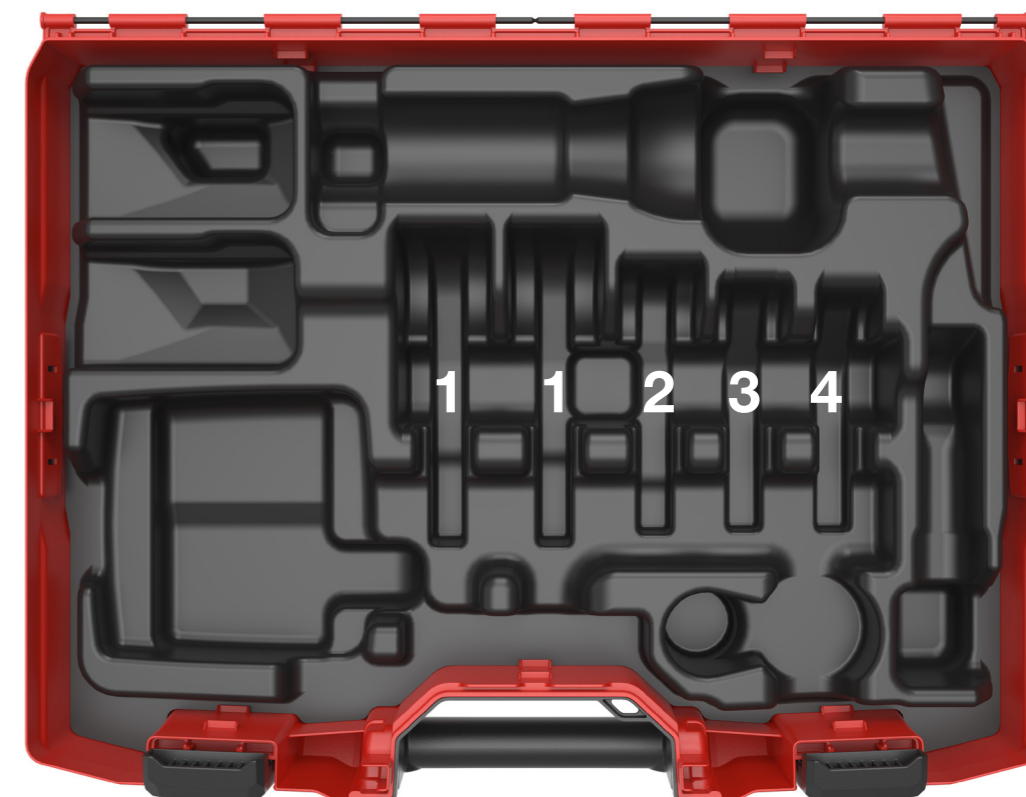
NPR 19-22 Small #2214938  
NPR 32-22 Small #2215230



# TOOL CASE FOR

**NPR 019 IE-A22 #2214939 & NPR 032 IE-A22 #2215231**

Case Position				
Press Profile	1	2	3	4
<b>G</b>	NPR PM G 16-40	NPR PM G 16-40	NPR PM G 16-40	NPR PM G 16-40
	NPR PS G 16-50	NPR PS G 16-40	NPR PS G 16-32	NPR PS G 16-26
<b>M</b>	NPR PM M 12-35	NPR PM M 12-35	NPR PM M 12-35	NPR PM M 12-35
	NPR PS M 12-35	NPR PS M 12-35	NPR PS M 12-28	NPR PS M 12-22
<b>FL</b>	NPR PM FL 16-40	NPR PM FL 16-40	NPR PM FL 16-40	NPR PM FL 16-40
	NPR PS FL 16-40	NPR PS FL 16-40		
	NPR PS FL 50-75			
<b>TH</b>	NPR PM TH 12-40	NPR PM TH 12-40	NPR PM TH 12-40	NPR PM TH 12-40
	NPR PS TH 12-40	NPR PS TH 12-40	NPR PS TH 12-40	NPR PS TH 12-20
<b>UP</b>	NPR PM UP 14-40	NPR PM UP 14-40	NPR PM UP 14-25	NPR PM UP 14-20
	NPR PS UP 14-50	NPR PS UP 14-50	NPR PS UP 14-25	NPR PS UP 14-20
<b>U</b>	NPR PM U 12-40	NPR PM U 12-40	NPR PS U 12-40	NPR PM U 12-20
	NPR PS U 12-40	NPR PS U 12-40	NPR PS U 12-40	NPR PS U 12-20
<b>V</b>	NPR PM V 12-35	NPR PM V 12-35	NPR PM V 12-35	NPR PM V 12-2
	NPR PS V 12-42	NPR PS V 12-42	NPR PS V 12-35	NPR PS V 12-22
<b>MP</b>	NPR PS 1/2	NPR PS 1/2	NPR PS 1/2	
	NPR PS 3/4	NPR PS 3/4		
	NPR PS 1			





**TOOL CASE FOR**  
**NPR 19-22 #2315819 (NURON) & NPR 32-22 #2316341 (NURON)**

Case Position				
Press Profile	1	2	3	4
<b>G</b>	NPR PM G 16-40	NPR PM G 16-40	NPR PM G 16-40	NPR PM G 16-40
	NPR PS G 16-50	NPR PS G 16-40	NPR PS G 16-32	NPR PS G 16-26
<b>M</b>	NPR PM M 12-35	NPR PM M 12-35	NPR PM M 12-35	NPR PM M 12-35
	NPR PS M 12-35	NPR PS M 12-35	NPR PS M 12-28	NPR PS M 12-22
<b>FL</b>	NPR PM FL 16-40	NPR PM FL 16-40	NPR PM FL 16-40	NPR PM FL 16-40
	NPR PS FL 16-40	NPR PS FL 16-40		
	NPR PS FL 50-75			
<b>TH</b>	NPR PM TH 12-40	NPR PM TH 12-40	NPR PM TH 12-40	NPR PM TH 12-40
	NPR PS TH 12-40	NPR PS TH 12-40	NPR PS TH 12-40	NPR PS TH 12-20
<b>UP</b>	NPR PM UP 14-40	NPR PM UP 14-40	NPR PM UP 14-25	NPR PM UP 14-20
	NPR PS UP 14-50	NPR PS UP 14-50	NPR PS UP 14-25	NPR PS UP 14-20
<b>U</b>	NPR PM U 12-40	NPR PM U 12-40	NPR PS U 12-40	NPR PM U 12-20
	NPR PS U 12-40	NPR PS U 12-40	NPR PS U 12-40	NPR PS U 12-20
<b>V</b>	NPR PM V 12-35	NPR PM V 12-35	NPR PM V 12-35	NPR PM V 12-2
	NPR PS V 12-42	NPR PS V 12-42	NPR PS V 12-35	NPR PS V 12-22
<b>MP</b>	NPR PS 1/2	NPR PS 1/2	NPR PS 1/2	
	NPR PS 3/4	NPR PS 3/4		
	NPR PS 1			





**TOOL CASE FOR**  
**NPR 032 PE-A22 #2215237**

05.2023 / Version 1.1

Press Profile	Case Position			
	1	2	3	4
<b>G</b>	NPR PS G 16-32	NPR PS G 16-50	NPR PS G 16-50	NPR PS G 16-26
<b>M</b>	NPR PS M 12-28	NPR PS M 12-35	NPR PS M 12-35	NPR PS M 12-22
<b>FL</b>	NPR PM FL 16-40	NPR PM FL 16-40	NPR PM FL 16-40	NPR PM FL 16-40
		NPR PS FL 16-40	NPR PS FL 16-40	NPR PS FL 16-40
			NPR PS FL 50-75	NPR PS FL 50-75
<b>TH</b>	NPR PS TH 12-40	NPR PS TH 12-40	NPR PS TH 12-40	NPR PS TH 12-20
<b>UP</b>	NPR PS UP 14-40	NPR PS UP 14-40	NPR PS UP 14-50	NPR PS UP 14-20
<b>U</b>	NPR PS U 12-40	NPR PS U 12-40	NPR PS U 12-50	NPR PS U 12-20
<b>V</b>	NPR PS V 12-35	NPR PS V 12-35	NPR PS V 12-35	NPR PS V 12-22
<b>MP</b>	NPR PS MP 1/2	NPR PS MP 1/2	NPR PS MP 1/2	NPR PS MP 1/2
		NPR PS MP 3/4	NPR PS MP 3/4	
			NPR PS MP 1	





**TOOL CASE FOR**  
**NPR 32 P/XL-22 #2315708 (NURON)**

05.2023 / Version 1.1

Case Position				
Press Profile	1	2	3	4
<b>G</b>	NPR PS G 16-26	NPR PS G 16-32	NPR PS G 16-50	NPR PS G 16-50
<b>M</b>	NPR PS M 12-22	NPR PS M 12-28	NPR PS M 12-35	NPR PS M 12-35
<b>FL</b>	NPR PM FL 16-40	NPR PM FL 16-40	NPR PM FL 16-40	NPR PM FL 16-40
	NPR PS FL 16-40		NPR PS FL 16-40	NPR PS FL 16-40
	NPR PS FL 50-75			NPR PS FL 50-75
<b>TH</b>	NPR PS TH 12-20	NPR PS TH 12-40	NPR PS TH 12-40	NPR PS TH 12-40
<b>UP</b>	NPR PS UP 14-20	NPR PS UP 14-40	NPR PS UP 14-40	NPR PS UP 14-50
<b>U</b>	NPR PS U 12-20	NPR PS U 12-40	NPR PS U 12-40	NPR PS U 12-50
<b>V</b>	NPR PS V 12-22	NPR PS V 12-35	NPR PS V 12-35	NPR PS V 12-35
<b>MP</b>	NPR PS MP 1/2	NPR PS MP 1/2	NPR PS MP 1/2	NPR PS MP 1/2
			NPR PS MP 3/4	NPR PS MP 3/4
				NPR PS MP 1





**TOOL CASE FOR**  
**NPR PS/PM Jaws #2215232**

05.2023 / Version 1.1

Case Position				
Press Profile	1	2	3	4
<b>G</b>	NPR PM 16-40	NPR PM 16-40	NPR PM 16-40	NPR PM 16-40
	NPR PS 16-26	NPR PS 16-50	NPR PS 16-20	
<b>M</b>	NPR PM 12-35	NPR PM 12-35	NPR PM 12-35	NPR PM 12-35
	NPR PS 12-28	NPR PS 12-35	NPR PS 12-18	
<b>FL</b>	NPR PM FL 16-40	NPR PM FL 16-40	NPR PM FL 16-40	NPR PM FL 16-40
	NPR PS FL 16-40	NPR PS FL 16-40	NPR PS FL 16-40	NPR PS FL 16-40
		NPR PS FL 50-75		
<b>TH</b>	NPR PM 12-40	NPR PM 12-40	NPR PM 12-40	NPR PM 12-40
	NPR PS 12-40	NPR PS 12-40	NPR PS 12-20	
<b>U</b>	NPR PM 12-40	NPR PM 12-40	NPR PM 12-40	NPR PM 12-40
	NPR PS 12-40	NPR PS U 12-40	NPR PS 12-20	
<b>UP</b>	NPR PM UP 14-40	NPR PM UP 14-40	NPR PM UP 14-40	NPR PM UP 14-20
	NPR PS UP 14-50	NPR PS UP 14-50	NPR PS UP 14-20	
<b>V</b>	NPR PM 12-35	NPR PM 12-35	NPR PM 12-35	NPR PM 12-35
	NPR PS 12-35	NPR PS 12-35	NPR PS 12-22	





**ACCESSORY CASE FOR:**  
**NPR PS/PM RFZ Jaws #2254647**

Case Position								
Press Profile	1	2	3	4	5	6	7	8
RFZ Jaws	NPR PS	NPR PM						
RFZ Dies			NPR PD RFZ 12-32	NPR PD RFZ 12-32	NPR PD RFZ 12-32	NPR PD RFZ 12-32	NPR PD RFZ 12-32	NPR PD RFZ 12-32



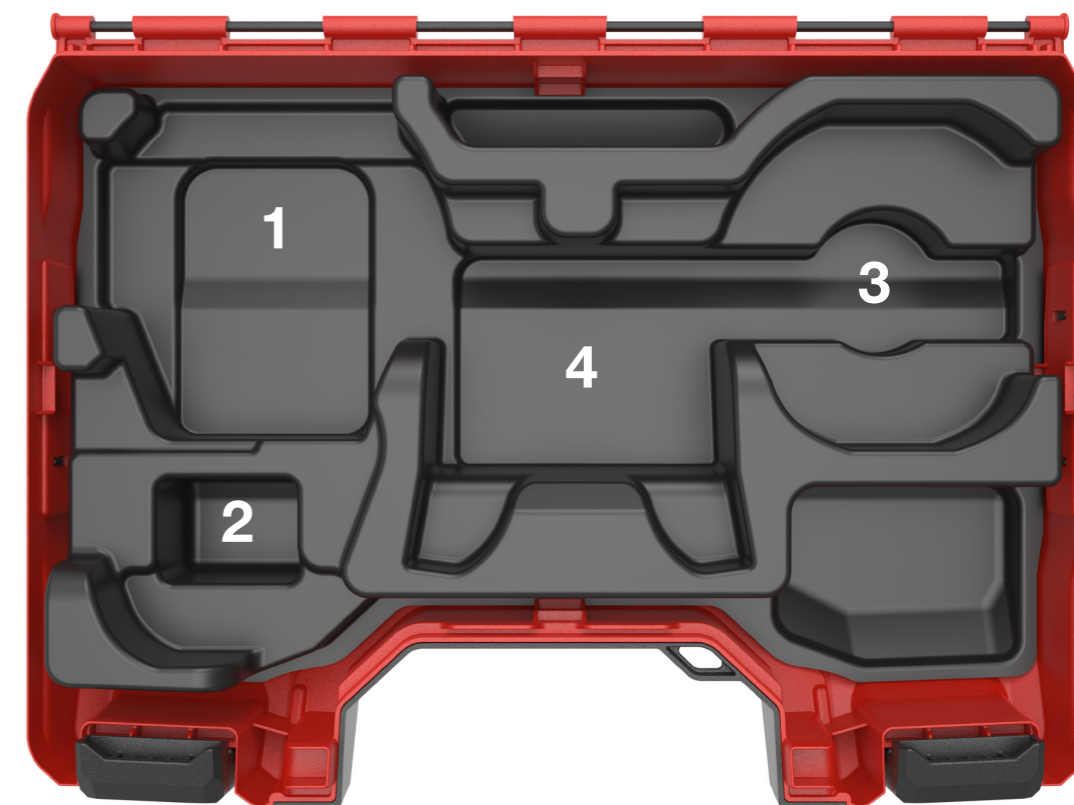




ACCESSORY CASE FOR  
NPR PR MP S Press Adapter & Rings #2315231

05.2023 / Version 1.1

Case Position				
Press Profile	1	2	3	4
MP	NPR PR MP 2	NPR PR MP 1¼	NPR PR MP 1½	NPR PA 2





ACCESSORY CASE FOR  
NPR PR MP L Press Adapter & Rings #2315232

05.2023 / Version 1.1

Case Position				
Press Profile	1	2	3	4
MP	NPR PR MP 2½	NPR PR MP 3	NPR PR MP 4	NPR PA 3





**ACCESSORY CASE FOR**  
**NPR PR/PA Press Adapters & Rings #2215233**

05.2023 / Version 1.1

Case Position					
Press Profile	1	2	3	4	5
NPR PA	NPR PA 1				
	NPR PA 2				
	NPR PA 3				
	NPR PA 4				
	NPR PA 5				
G		NPR PR G 63			
M		NPR PR M 76.1	NPR PR M 66.7	NPR PR M 42	NPR PR M 54
		NPR PR M 88.9			
TH			NPR PR TH 63	NPR PR TH 40	NPR PR TH 50
U		NPR PR U 90	NPR PR U 63		
			NPR PR U 75		
V		NPR PR V 64		NPR PR V 42	NPR PR V 54
		NPR PR V 76			
		NPR PR V 89			

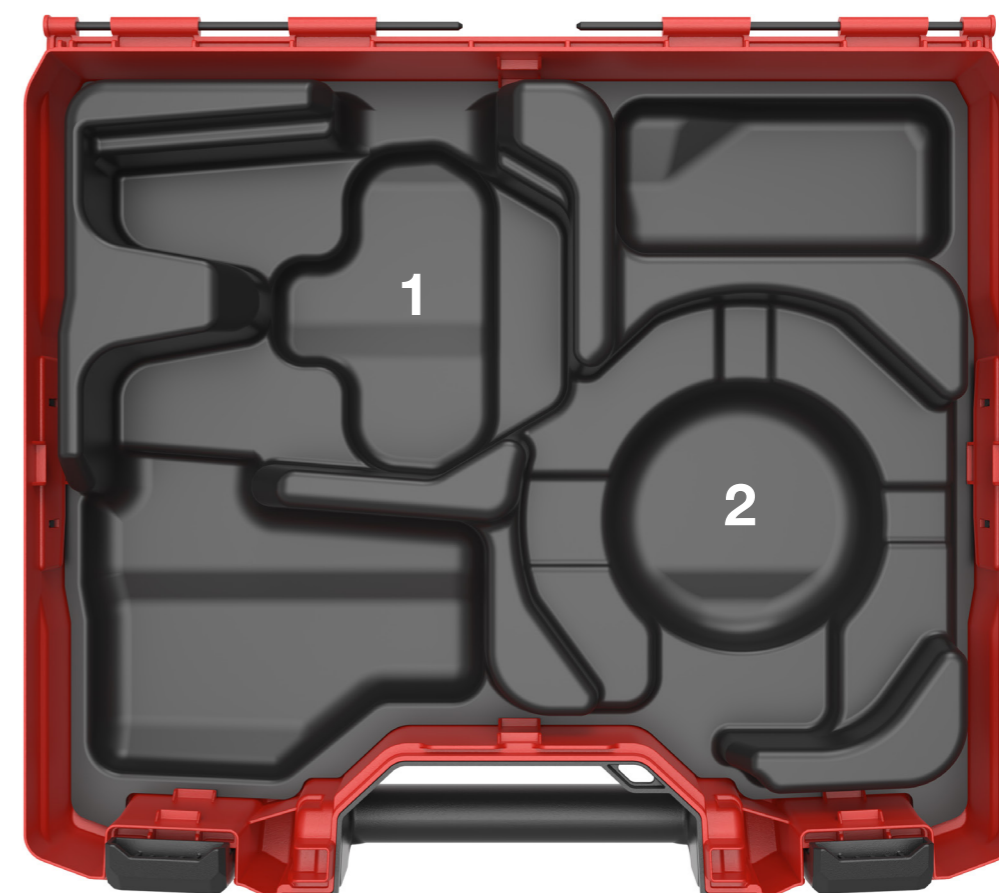




**ACCESSORY CASE FOR**  
**NPR PR /PA Press Adapters and Rings #2215234**

05.2023 / Version 1.1

Press Profile	Case Position	
	1	2
NPR PA	NPR PA 3	
	NPR PA 4	
	NPR PA 5	
G		NPR PR G 75
M		NPR PR M 108
U		NPR PR U 110
V		NPR PR V 108
TH		NPR PR TH 63



- English:** This document is subject to be updated anytime and it is valid only on download date.
- Deutsch:** Dieses Dokument kann jederzeit aktualisiert werden und gilt nur zum Zeitpunkt des Downloads.
- Français:** Ce document est continuellement mis à jour et n'est valide qu'à la date de téléchargement.
- Italiano:** Questo documento è soggetto ad aggiornamento in qualsiasi momento ed è valido solo per la data del relativo download.
- Español:** Este documento está sujeto a actualizaciones en cualquier momento y solo es válido en la fecha de descarga.
- Nederlands:** Dit document kan op elk moment worden bijgewerkt en is alleen op de downloaddatum geldig.
- Português:** Este documento poderá ser atualizado em qualquer momento e é válido apenas na data em que é descarregado.
- Svenska:** Detta dokument kan komma att uppdateras när som helst och det gäller endast på nedladdningsdatumet.
- Suomi:** Tätä asiakirjaa voidaan päivittää milloin tahansa ja se on voimassa vain latauspäivänä.
- Polski:** Niniejszy dokument może zostać zaktualizowany i obowiązuje jedynie w dniu jego pobrania.



Hilti Aktiengesellschaft  
9494 Schaan, Liechtenstein  
P +423-234 2965

[www.facebook.com/hiltigroup](http://www.facebook.com/hiltigroup)  
[www.hilti.group](http://www.hilti.group)