



HIT-P 8000 D

English

1 Information about the documentation

1.1 About this documentation

- Read this documentation before initial operation or use. This is a prerequisite for safe, trouble-free handling and use of the product.
- Observe the safety instructions and warnings in this documentation and on the product.
- Always keep the operating instructions with the product and make sure that the operating instructions are with the product when it is given to other persons.

1.2 Explanation of symbols used

1.2.1 Warnings

Warnings alert persons to hazards that occur when handling or using the product. The following signal words are used:

DANGER

DANGER !

- ▶ Draws attention to imminent danger that will lead to serious personal injury or fatality.

WARNING

WARNING !

- ▶ Draws attention to a potential threat of danger that can lead to serious injury or fatality.





CAUTION

CAUTION !

- ▶ Draws attention to a potentially dangerous situation that could lead to slight personal injury or damage to the equipment or other property.


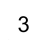


1.2.2 Symbols in the documentation

The following symbols are used in this document:

| | |
|------------------------------------------------------------------------------------|-----------------------------------------------------------------------|
|  | Read the operating instructions before use |
|  | Instructions for use and other useful information |
|  | Dealing with recyclable materials |
|  | Do not dispose of electric equipment and batteries as household waste |

1.2.3 Symbols in the illustrations

The following symbols are used in illustrations:

| | |
|-------------------------------------------------------------------------------------|-------------------------------------------------------------------------------------------------------------------------------------------|
|  | These numbers refer to the corresponding illustrations found at the beginning of these operating instructions |
|  | The numbering reflects the sequence of operations shown in the illustrations and may deviate from the steps described in the text |
|  | Item reference numbers are used in the overview illustrations and refer to the numbers used in the product overview section |
|  | These characters are intended to specifically draw your attention to certain points when handling the product. |

1.3 Explanation of symbols used

1.3.1 Symbols

The following symbols are used on the product:



2 Safety

2.1 Product information

HILTI products are designed for professional users and only trained, authorized personnel are permitted to operate, service and maintain the products. This personnel must be specifically informed about the possible hazards. The product and its ancillary equipment can present hazards if used incorrectly by untrained personnel or if used not in accordance with the intended use.

The type designation and serial number are printed on the rating plate.

- ▶ Write down the serial number in the table below. You will be required to state the product details when contacting Hilti Service or your local Hilti organization to inquire about the product.

Product information

| | |
|----------------|--------------|
| Type: | HIT-P 8000 D |
| Generation: | 01 |
| Serial number: | |

2.2 Declaration of conformity

We declare, on our sole responsibility, that the product described here complies with the applicable directives and standards. A copy of the declaration of conformity can be found at the end of this documentation.

The technical documentation is filed here:

Hilti Entwicklungsgesellschaft mbH | Tool Certification | Hiltistrasse 6 | 86916 Kaufering, Germany

2.3 Safety instructions

⚠ WARNING Study all safety instructions and other instructions, images and technical data with which this power tool is provided. Failure to observe the instructions below can result in electric shock, fire and/or serious injury.

Keep all safety precautions and instructions for future reference.

Work area safety

- ▶ **Keep your workplace clean and well lit.** Cluttered or poorly lit workplaces invite accidents.
- ▶ **Ensure that the workplace is well ventilated.**
- ▶ **Keep children and other persons clear when the tool is in use.** Distractions can cause you to lose control of the tool.
- ▶ **Keep the workplace tidy. Clear the work zone of objects that could cause injury.** Untidiness at the workplace can lead to accidents.
- ▶ **When working, always guide the compressed-air hose to the rear and away from the tool.** This reduces the risk of tripping over the compressed-air hose.
- ▶ **When working on a scaffold, always secure the tool.** This will help prevent it falling.

Personal safety

- ▶ **Stay alert, watch what you are doing and use common sense when working.** Do not use a tool while you are tired or under the influence of drugs, alcohol or medication. A moment of inattention while operating the tool can result in serious injury.
- ▶ **Wear your personal protective equipment and always wear protective glasses.** Depending on the type of tool you are using and its purpose, wearing safety equipment such as a dust mask, slip-resistant safety shoes, a hard hat or hearing protection will reduce the risk of injury.
- ▶ **Always hold the tool firmly with both hands on the grips provided. Keep the grips clean and dry.**
- ▶ **Avoid accidental starting. Make sure that the tool is switched off before connecting it to the compressed-air supply and before picking it up or carrying it.** Carrying the tool with your finger on the switch or connecting the tool to the compressed-air supply with the tool already switched on can cause accidents.
- ▶ **Adopt the correct posture when working. Maintain proper footing and balance at all times.** This will give you better control of the product in unexpected situations.
- ▶ **Do not allow yourself to be lulled into a false sense of security and do not flout the safety rules for tools, even if you are familiar with the tool after using it many times.** Carelessness can result in serious injury within a fraction of a second.

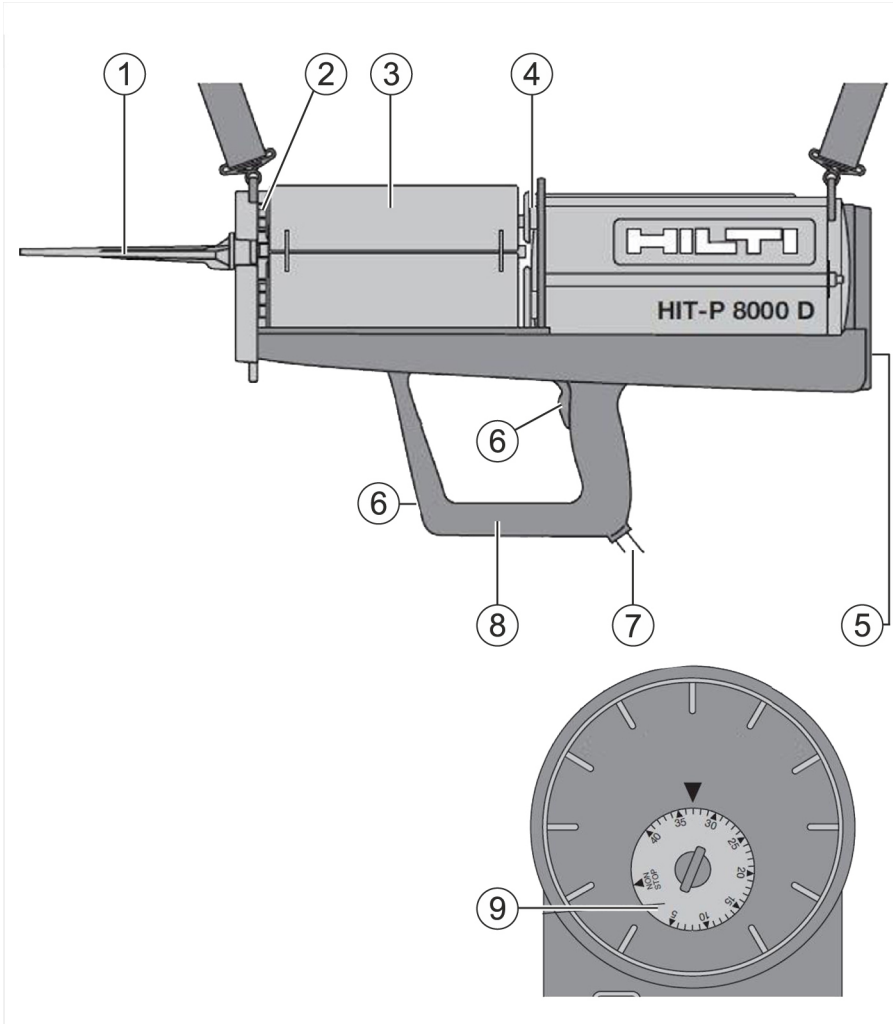
- ▶ **Store power tools out of reach of children when not in use. Do not allow persons who are not familiar with the tool and these instructions to operate it.** Power tools are dangerous in the hands of inexperienced persons.
- ▶ **Maintain tools and accessories carefully.** Check that moving parts operate satisfactorily and do not jam, and make sure that no parts are broken or damaged in such a way that the tool might no longer function correctly. **Have damaged parts repaired before using the tool.** Many accidents are caused by poorly maintained tools.

Service

- ▶ **Have your tool repaired only by a qualified specialist using only genuine Hilti spare parts.** The safety of the tool can thus be maintained.

General safety instructions

- ▶ **Do not tamper with or attempt to make alterations to the tool.**
- ▶ **To reduce the risk of injury, use only genuine Hilti accessories and accessory tools.**
- ▶ **Use only foil packs of a type approved for use with the tool.**
- ▶ **Do not attempt to open or disassemble the tool.**
- ▶ **Never press the nose of the tool against your hand or other part of your body or the body of another person.**
- ▶ **If the compressed-air hose is damaged, have it replaced by Hilti Service.**
- ▶ **Do not use dirty or damaged foil pack holders.**
- ▶ **The front plates and the piston plate must be clean and free of foreign matter.**
- ▶ **Disconnect the tool from the compressed-air supply if a malfunction occurs and also to allow cleaning work to be carried out.**
- ▶ **Change the mixing nozzle only when the foil pack is not under pressure.** Make sure that the piston advance button is not pressed.
- ▶ **The mixing nozzle has to be changed if the mortar in the nozzle stiffens or hardens during a break.**

3 Description**3.1 Overview**

- ① Mixing nozzle (static mixer)
- ② Foil pack
- ③ Foil pack holder
- ④ Cylinder
- ⑤ Return button
- ⑥ Piston advance button
- ⑦ Compressed air connection

- ⑧ Grip
- ⑨ Metered-dispensing unit

3.2 Intended use

The product is designed for dispensing various **Hilti** mortars. The built-in metered-dispensing function is eminently suitable for serial applications. Compressed air is used to build up the necessary ejection force.

3.3 Items supplied

Dispenser, foil pack holder and operating instructions
 Other system products approved for use with this product can be found at your local **Hilti Store** or at: www.hilti.group | USA: www.hilti.com

4 Technical data

| | |
|----------------------------------------------------------------|---------------|
| Weight without mortar and foil pack holder | 6.2 kg |
| Compressed air connection | 1/4 in |
| Minimum operating pressure | 6 bar |
| Maximum inlet pressure | 10 bar |
| Optimum air flow rate | 250 ℓ/min |
| Application temperature / ambient temperature | 5 °C ...40 °C |
| Recommended temperature range for transport and storage | 0 °C ...40 °C |

5 Operation

5.1 Comply with all safety instructions and instructions for use.

WARNING

Chemicals hazard Incorrect use can lead to injury.

- ▶ Prior to use, read and comply with the safety data sheet for the product, the instructions on the packaging and the instructions for use of the foil pack.

5.2 Connecting compressed-air supply

CAUTION

Risk of injury Compressed-air hazard.

- ▶ Do not exceed the maximum permissible inlet pressure of 10 bar.
- ▶ Connect the compressed-air supply.

5.3 Preparing a foil pack for use

WARNING

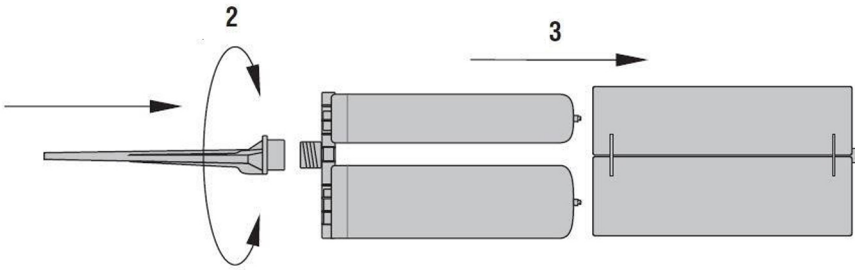
Risk of injury Chemicals hazard.

- ▶ If the foil pack holder with foil pack inserted suffers a hard impact or is dropped, foil pack holder and foil pack have to be checked for damage and, if necessary, replaced.

Prior to use, read the safety instructions and the conditions for use on the label of the foil pack and check the expiry date of the mortar.

Do not attempt to press out mortar unless the foil pack is correctly inserted in the foil pack holder.

The tool is designed exclusively for use with Hilti foil packs of 1400 ml capacity.



1. Remove the cap from the foil pack.
2. Screw the static mixer (mixing nozzle) on to the foil pack.



Each new foil pack requires a new mixing nozzle.

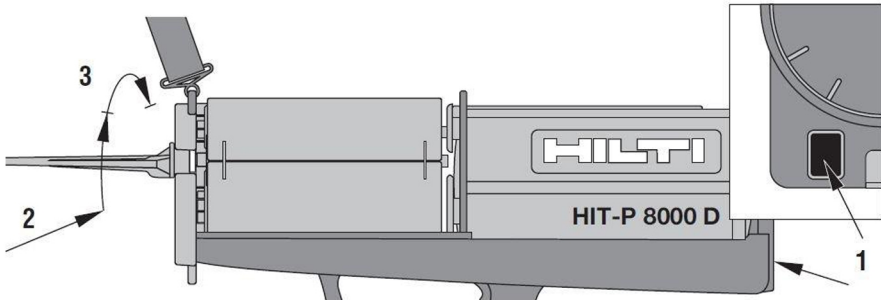
3. Push the foil pack into the foil pack holder from the front.

5.4 Inserting the foil pack holder and foil pack

CAUTION

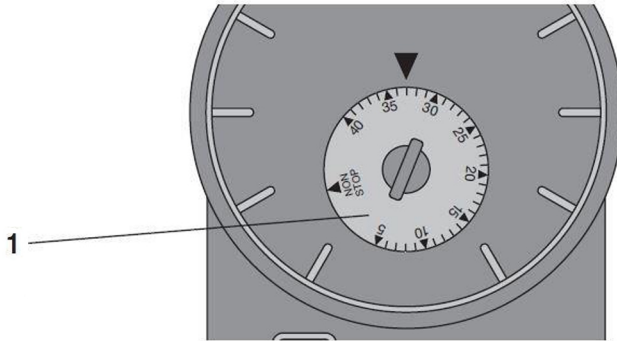
Risk of injury Compressed-air hazard.

- ▶ Keep your hands well clear of the piston.



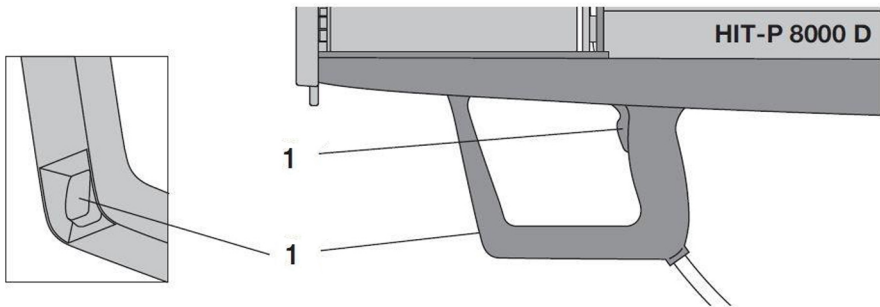
1. Press the return button and hold it down until the piston has fully retracted.
2. Push the foil pack holder into the cradle from the side.
3. Turn the foil pack holder in two steps (double click) through 45 ° in the cradle.

5.5 Setting metered dispensing



- ▶ Set the metered-dispensing switch to the desired setting.

5.6 Preparing the tool for use



- ▶ Press the piston advance button.

The amount of mortar to be discarded depends on the type of mortar used. Discard the amount of mortar stated in the instructions for the foil pack.

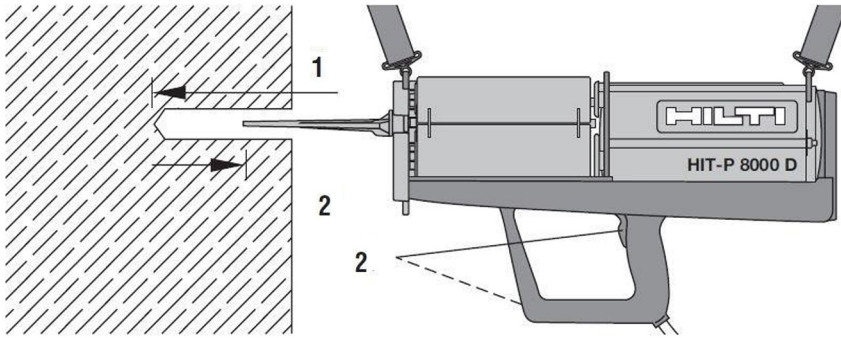
5.7 Injecting mortar

WARNING

Risk of injury Falling materials hazard.

- ▶ In the event of non-compliance with the instructions for use, the load-bearing capacity of the fastening is not ensured.

Use the mortar only within the specified temperature range.
The drillhole has to be filled with the requisite quantity of mortar without any air being trapped in the hole.



1. Insert the mixing nozzle into the drillhole until the tip of the nozzle is touching the bottom of the hole.



Use an extension if the drillholes to be filled are extra-deep.

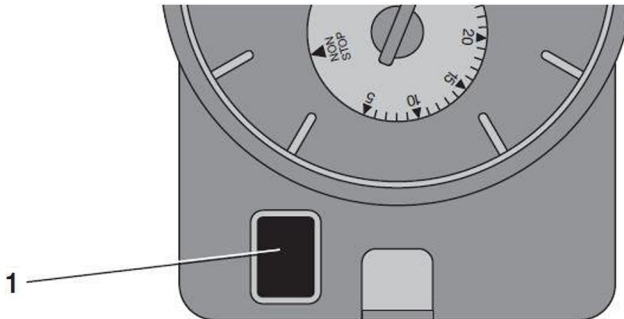
2. Press the piston advance button and slowly withdraw the mixing nozzle from the drillhole.

5.8 Return function

CAUTION

Risk of injury Compressed-air hazard.

- ▶ Keep your hands well clear of the piston.



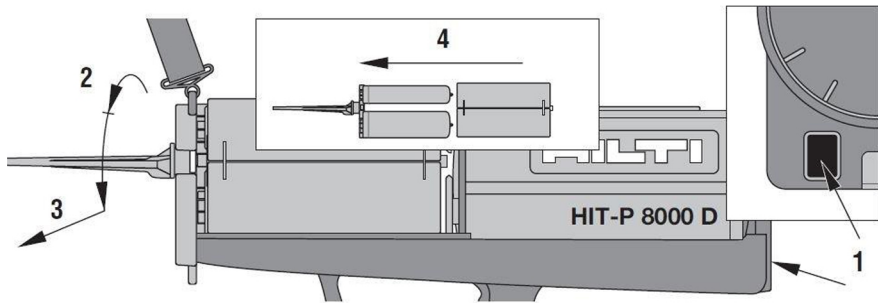
- ▶ Press the return button.

5.9 Removing the foil pack

CAUTION

Risk of injury Compressed-air hazard.

- ▶ Keep your hands well clear of the piston.



1. Press the return button and hold it down until the piston has fully retracted.
2. Turn the foil pack holder in two steps through 45 ° in the cradle.
3. Pull the foil pack holder to the side and out of the cradle.
4. Pull the foil pack forward and out of the foil pack holder.

If a partly emptied foil pack is going to be re-used, always leave it in the foil pack holder in the product.

6 Transport and storage of dispensers

- ▶ Always disconnect the tool from the compressed-air supply prior to transport, storage and cleaning work.

7 Transport, storage, care and maintenance

WARNING

Risk of injury Compressed-air hazard.

- ▶ Disconnect the compressed-air connection prior to transport, storage, care and maintenance work.

Care

- Carefully remove stubborn dirt from the tool.
- Use only a slightly damp cloth to clean the casing. Do not use cleaning agents containing silicone as these can attack the plastic parts.

Maintenance

- Check all visible parts and controls for signs of damage at regular intervals and make sure that they all function correctly.
- Do not operate the tool if signs of damage are found or if parts malfunction. Have the tool repaired by **Hilti Service** immediately.
- After cleaning and maintenance, refit all guards or protective devices and check that they function correctly.

To help ensure safe and reliable operation, use only genuine Hilti spare parts and consumables. Spare parts, consumables and accessories approved by Hilti for use with the product can be found at your local **Hilti Store** or online at: www.hilti.group / www.hilti.com

8 China RoHS (Restriction of Hazardous Substances)

Click on the link to go to the table of hazardous substances: qr.hilti.com/r5250.
There is a link to the RoHS table, in the form of a QR code, at the end of this document.

9 Manufacturer's warranty

- ▶ Please contact your local **Hilti** representative if you have questions about the warranty conditions.



Hilti Aktiengesellschaft
Feldkircherstraße 100
9494 Schaan | Liechtenstein

HIT-P 8000 D (01)

[2003]

2006/42/EG

EN ISO 12100

Schaan, 06/2013

Markus Messmer

Head of Quality, Processes & Software
Fastening & Protection Systems

Raimund Zaggi

Executive Vice President
Head of BU Anchors





Hilti Corporation
LI-9494 Schaan
Tel.: +423 234 21 11
Fax: +423 234 29 65
www.hilti.group



2164701



Hilti Connect