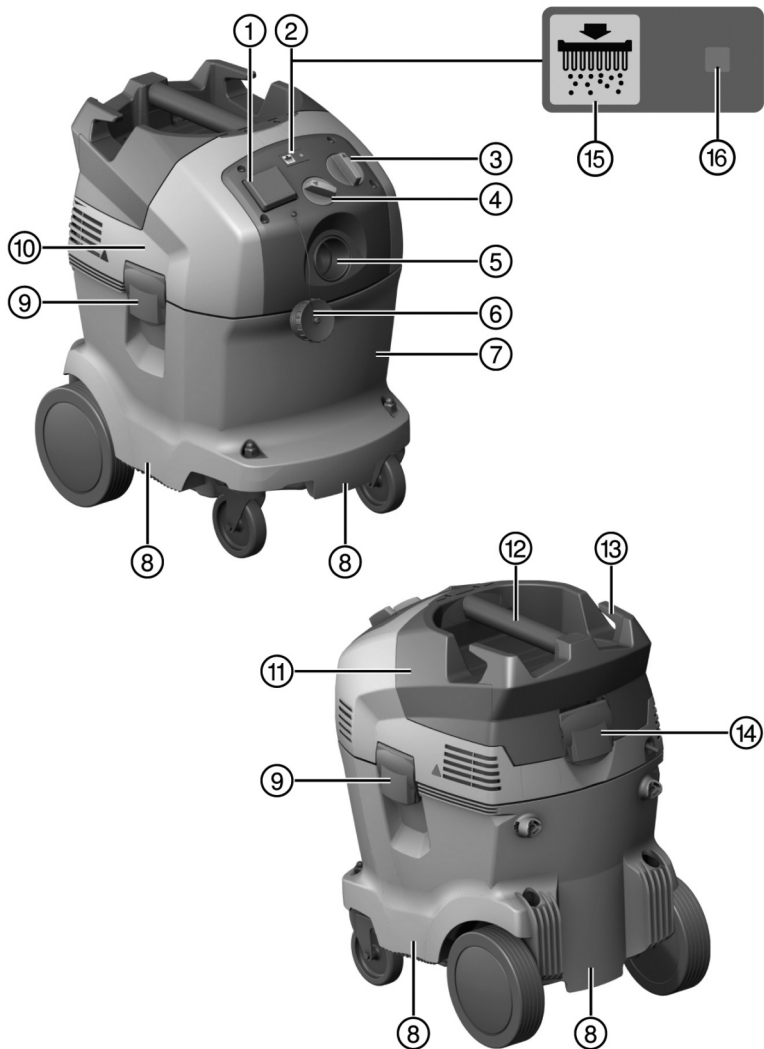


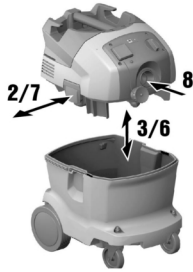


VC 20 / VC 40

English	1
Français	16
Polski	32
Česky	48
Slovenčina	63
日本語	79



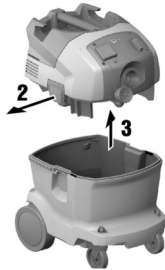
2



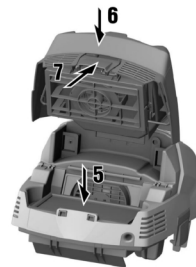
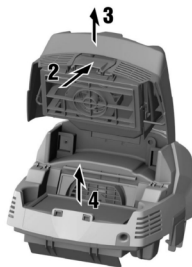
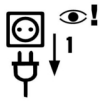
3



4



5



Original operating instructions

1 Information about the operating instructions

1.1 About these operating instructions

- Read these operating instructions before the product is used or operated for the first time. This is a prerequisite for safe, trouble-free handling and use of the product.
- Observe the safety instructions and warnings in these operating instructions and on the product.
- Always keep the operating instructions with the product and make sure that the product is accompanied by these operating instructions only, when the product is given to other persons.

1.2 Explanation of symbols

1.2.1 Warnings

Warnings alert persons to hazards that occur when handling or using the product. The following signal words are used:

DANGER

DANGER !

- ▶ Draws attention to imminent danger that will lead to serious personal injury or fatality.

WARNING

WARNING !

- ▶ Draws attention to a potential threat of danger that can lead to serious injury or fatality.

CAUTION

CAUTION !

- ▶ Draws attention to a potentially dangerous situation that could lead to personal injury or damage to the equipment or other property.

1.2.2 Symbols in the documentation

The following symbols are used in our documentation:

	Read the operating instructions before use
	Caution
	Instructions for use and other useful information
	Dealing with recyclable materials
	Do not dispose of electric equipment and batteries as household waste

1.2.3 Symbols in the illustrations

The following symbols are used in our illustrations:

	These numbers refer to the corresponding illustrations found at the beginning of these operating instructions
	The numbering reflects the sequence of operations shown in the illustrations and may deviate from the steps described in the text
	Item reference numbers are used in the overview illustrations and refer to the numbers used in the Product overview section
	This symbol is intended to draw your special attention to certain points for handling the product.



1.3 Product-dependent symbols

1.3.1 Symbols on the product

The following symbols are used on the product:

	Warning: hot surface
	Transport by crane is not permissible.

1.4 On the appliance

VC 20-UL
VC 40-UL



WARNING: This unit contains hazardous dust. Emptying and maintenance, including the removal of the dust bag, may only be carried out by someone who is familiar with the unit and wearing suitable protective gear. Do not switch on until the complete filter system has been installed.

VC 20-UM
VC 20-UME
VC 40-UM
VC 40-UME



WARNING: This unit contains hazardous dust. Emptying and maintenance, including the removal of the dust bag, may be carried out only by well-informed persons wearing suitable protective gear. Do not switch on the unit until the complete filter system has been installed and the function of the volume-flow control has been tested.

1.5 Product information

Hilti products are designed for professional users and only trained, authorized personnel are permitted to operate, service and maintain the products. This personnel must be informed of any particular hazards that may be encountered. The product and its ancillary equipment can present hazards if used incorrectly by untrained personnel or if used not in accordance with the intended use.

The type designation and serial number are printed on the rating plate.

- ▶ Write down the serial number in the table below. You will be required to state the product details when contacting Hilti Service or your local Hilti organization to inquire about the product.

Product information → page 2

Product information

Wet / dry vacuum cleaner	VC 20-U VC 20-UL VC 20-UM VC 20-UME VC 40-U VC 40-UL VC 40-UM VC 40-UME
Generation	02
Serial no.	



1.6 Declaration of conformity

We declare, on our sole responsibility, that the product described here complies with the applicable directives and standards. A copy of the declaration of conformity can be found at the end of this documentation.

The technical documentation is filed here:

Hilti Entwicklungsgesellschaft mbH | Tool Certification | Hiltistrasse 6 | 86916 Kaufering, Germany

2 Safety

2.1 Safety instructions

2.1.1 General safety instructions

In addition to the safety instructions given in the various sections of these operating instructions, the following points must be strictly observed at all times.

- ▶ **Read all the instructions.** Failure to follow all the instructions listed below may result in electric shock, fire and/or serious injury.
- ▶ **If the appliance is used in conjunction with an electric tool, read and follow the operating instructions for the electric tool and all the warnings.**
- ▶ **Modification of the appliance is not permitted.**
- ▶ **Use the right appliance for the job. Do not use the appliance for purposes for which it was not intended. Use it only as directed and when in faultless condition.**
- ▶ **Before beginning work with the appliance, find out how to operate it correctly and about any hazards associated with the materials it will be picking up and how these materials can be disposed of.**
- ▶ **Take the influences of the surrounding area into account. Do not use the appliance where there is a risk of fire or explosion.**
- ▶ **The appliance may only be used by persons who are familiar with it, have been trained on how to use it safely and who understand the resulting hazards. The appliance is not intended for use by children.**
- ▶ **Store appliances in a secure place when not in use. When not in use, appliances must be stored in a dry, high place or locked away out of reach of children.**

2.1.2 Personal safety

- ▶ **Stay alert, watch what you are doing and use common sense when working with the product. Do not use the vacuum cleaner while you are tired or under the influence of drugs, alcohol or medication.** A moment of inattention while operating the appliance may result in serious personal injury.
- ▶ **The user and any other persons in the vicinity must wear suitable eye protection, a hard hat, ear protection, protective gloves, safety footwear and breathing protection while the appliance is in use or while maintenance work on it is being carried out.**
- ▶ **Engage the wheel brakes so that the vacuum cleaner stands securely.** If the wheel brakes are disengaged the vacuum cleaner may run away out of control.
- ▶ **If devices are provided for the connection of dust extraction and collection facilities, ensure these are connected and properly used.** Use of a vacuum cleaner can reduce dust-related hazards.

2.1.3 Use and care of the appliance

- ▶ **Never leave the appliance unattended.**
- ▶ **Do not deactivate the filter cleaning system when picking up hazardous dusts, especially when the appliance is used in conjunction with electric tools that generate dust.**
- ▶ **Protect the appliance from frost.**
- ▶ **Clean the water level limiting device regularly with a brush, in accordance with the instructions, and check it for signs of damage.**
- ▶ **When fitting the top section of the vacuum cleaner, take care to avoid pinching your fingers or damaging the supply cord.** This presents a risk of injury or damage.
- ▶ **Check the appliance and its accessories for any damage. Guards, safety devices and any slightly damaged parts must be checked carefully to ensure that they function faultlessly and as intended. Check that moving parts function faultlessly, without sticking, and that no parts are damaged. In order to ensure faultless operation of the appliance, all parts must be fitted correctly and must meet the necessary requirements.**
- ▶ **Have the appliance serviced by a qualified repair person using only genuine Hilti spare parts.** The safety of the appliance can thus be maintained.



- ▶ **Always unplug the supply cord from the power outlet when the appliance is not in use (during breaks), before cleaning and maintenance and before changing the filter or accessories.** This preventive safety measure reduces the risk of starting the appliance accidentally.
- ▶ **Never pull the vacuum cleaner by the supply cord to a new working position. Do not run the wheels of the vacuum cleaner over the supply cord.**
- ▶ **Do not transport the appliance by crane.**

VC 20-UM
VC 20-UME
VC 40-UM
VC 40-UME

- ▶ **Close the hose inlet socket with the cap before transporting the appliance and when it is not in use.**

2.1.4 Electrical safety

- ▶ **The plug on the supply cord of the appliance must match the outlet. Do not change the plug in any way. Do not use adapter plugs with earthed (grounded) appliances.** Unmodified plugs and matching outlets reduce risk of electric shock.
- ▶ **Insert the plug in a suitable earthed/grounded power outlet which has been correctly and safely installed and is in compliance with local regulations. If you are in doubt about the effectiveness of the power outlet's earth/ground connection, have it checked by a qualified specialist.**
- ▶ **Avoid body contact with earthed or grounded surfaces such as pipes, radiators, cookers, stoves and refrigerators.** There is an increased risk of electric shock if your body is grounded.
- ▶ **Do not expose the appliance to rain or wet conditions.** Water entering an electric appliance will increase the risk of electric shock.
- ▶ **Check to ensure that the supply cord does not lie in a puddle of water.**
- ▶ **Check the appliance's supply cord at regular intervals and have it replaced by Hilti Service if damage is found. Check extension cords at regular intervals and replace them if found to be damaged.**
- ▶ **Do not touch the supply cord or extension cord if they are damaged while working. Disconnect the supply cord plug from the power outlet.** Damaged supply cords or extension cords present a risk of electric shock.
- ▶ The electric supply cord may be replaced only with a cord of the type specified in the operating instructions.
- ▶ **Do not abuse the cord. Never use the cord for carrying, pulling or unplugging the appliance. Keep the cord away from heat, oil, sharp edges or moving parts.** Damaged or entangled cords increase the risk of electric shock.
- ▶ **When operating an electric appliance outdoors, use only extension cords of a type suitable for outdoor use.** Use of an extension cord suitable for outdoor use reduces the risk of electric shock.
- ▶ **In the event of an interruption in the electric supply, switch the appliance off and unplug it from the power outlet.**
- ▶ **Use the electric tool power outlet only for the purposes described in the operating instructions.**
- ▶ **Never operate the appliance when it is dirty or wet.** Dust (especially dust from conductive materials) or dampness adhering to the surface of the appliance may, under unfavorable conditions, lead to electric shock. **Dirty or dusty appliances should thus be checked by Hilti Service at regular intervals, especially if used frequently for working on conductive materials.**

2.1.5 Workplace

- ▶ **Ensure that the workplace is well lit.**
- ▶ **Ensure that the workplace is well ventilated.** Exposure to dust at a poorly ventilated workplace may result in damage to the health.
- ▶ **Keep the workplace tidy. Objects which could cause injury should be removed from the working area.** Untidiness at the workplace can lead to accidents.
- ▶ **Do not operate the appliance in explosive atmospheres, such as in the presence of flammable liquids, gases or dust.** Electric appliances cause sparks which may ignite the dust or fumes.
- ▶ **Use extra care when working on stairs.**

2.1.6 The material picked up

- ▶ **Do not use the appliance to pick up flammable or explosive dusts (magnesium or aluminum dust etc.) or dusts that present a health hazard. Do not use the appliance to pick up materials with a temperature of over 60 °C (e.g. glowing cigarettes, hot ash).**



- ▶ Do not use the appliance to pick up flammable, explosive or aggressive liquids (coolants and lubricants, gasoline, solvents, acids (pH < 5), alkalis (pH > 12.5), etc.).
- ▶ Switch the appliance off immediately if foam or liquids escape from it.
- ▶ Wear protective gloves when using the vacuum cleaner to pick up hot materials up to a temperature of 60 °C.
- ▶ When working with mineral drilling slurry, wear protective clothing and avoid skin contact with the slurry (pH > 9: caustic).
- ▶ Avoid contact with alkaline or acidic liquids. If contact accidentally occurs, rinse with water. In the event of the liquid coming into contact with the eyes, rinse the eyes with plenty of water and consult a doctor.

VC 20-UL
VC 40-UL

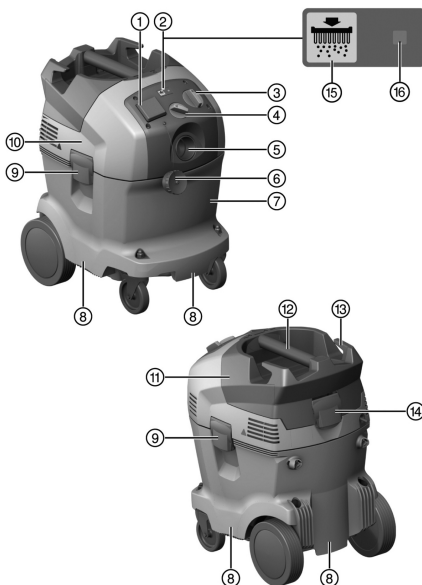
- ▶ A Dust Class L appliance is suitable for picking up dry, non-flammable dusts, liquids, wood chips and hazardous dusts with an exposure limit value of > 1 mg/m³. **The appliance must be equipped with a suitable filter corresponding to the hazard classification of the dusts to be picked up.**

VC 20-UM
VC 20-UME
VC 40-UM
VC 40-UME

- ▶ A Dust Class M appliance is suitable for picking up dry, non-flammable dusts, liquids, wood chips and hazardous dusts with an exposure limit value of \cong 0.1 mg/m³. **The appliance must be equipped with a suitable filter corresponding to the hazard classification of the dusts to be picked up.**

3 Description

3.1 Product overview



- ① Electric tool power outlet
VC 20/40-UME, optional for VC 20/40-U and VC 20/40-UL
- ② Automatic filter cleaning
- ③ Control switch
- ④ Hose diameter setting (VC 20-UM OR VC 20-UME OR VC 40-UM OR VC 40-UME)
- ⑤ Intake fitting
- ⑥ Cap for hose socket (VC 20-UM OR VC 20-UME OR VC 40-UM OR VC 40-UME)
- ⑦ Waste material container
- ⑧ Grip recess
- ⑨ Catch
- ⑩ Suction head
- ⑪ Filter cover
- ⑫ Grip
- ⑬ Supply cord hook
- ⑭ Catch for filter cover
- ⑮ Filter cleaning ON/OFF button
- ⑯ "Automatic filter cleaning system" status indicator

3.2 Use as directed

The products described here are industrial vacuum cleaners designed for universal, commercial use. They can be used for wet or dry applications.

Hilti products are designed for professional use and may be operated, serviced and maintained only by trained, authorized personnel. The product and its ancillary equipment may present hazards when used incorrectly by untrained personnel or when used not as directed.



2122258

Use of the product to clean down persons or animals is not permissible. Underwater use is not permissible.

- ▶ Before beginning work with the product, find out how to operate it correctly and about any hazards associated with the materials you will be working with and how these materials can be disposed of safely.
- ▶ Do not use the product for continuous, stationary operation in automatic or semi-automatic systems.
- ▶ To reduce the risk of injury, use only genuine **Hilti** tools and accessories.
- ▶ Use an antistatic suction hose in order to avoid electrostatic effects.
- ▶ Do not pick up objects or materials that could cause injury by piercing through the dust bag (e.g. pointed or sharp objects).
- ▶ Do not stand on the product (do not use it as a substitute for a ladder).

This product is suitable for the following applications in commercial use:

- Collecting large quantities of dust from **Hilti** diamond grinders, diamond cutters, rotary hammers and core drilling machines using dry-cutting core bits.
- Picking up drilling slurry (mineral materials) with **Hilti** diamond core bits or **Hilti** diamond saws and liquids up to a temperature of < 60 °C (140 °F).
- Picking up oil or liquid substances with a temperature of up to < 60 °C (140 °F).
- Wet and/or dry cleaning of wall and floor surfaces.

Additional use for the following types:

VC 20-UL
VC 40-UL

This product is suitable for the following applications:

- Picking up dry, non-flammable dusts, liquids, wood chips and hazardous dusts with an exposure limit value of > 1 mg/m³ (Dust Class L).

VC 20-UM
VC 20-UME
VC 40-UM
VC 40-UME

This product is suitable for the following applications:

- Picking up dry, non-flammable dusts, liquids, wood chips and hazardous dusts with an exposure limit value of ≥ 0.1 mg/m³ (Dust Class M).



When picking up dusts with an exposure limit value, steps must be taken to ensure adequate air exchange in the room if the exhaust air from the appliance is released into the room.

Only hazardous substances in accordance with IEC 60335-2-69 (Class L/M) may be picked up using the appropriate vacuum cleaner. Picking up any other hazardous substances is not permissible.

Picking up oil or liquids with a temperature of ≥ 60 °C (140 °F) is not permissible.

3.3 Possible misuse

- Do not operate the industrial vacuum cleaner when it is laid on its side.
- Do not use the industrial vacuum cleaner to pick up substances that present a risk of explosion, glowing, burning or flammable substances or aggressive dusts (e.g. magnesium or aluminum dust, etc.) (exception: wood chips or shavings).
- Do not use the industrial vacuum cleaner to pick up flammable liquids (e.g. gasoline, solvents, coolants and lubricants, etc.).
- Working with materials hazardous to health (e.g. asbestos) is not permissible.

3.4 Items supplied

Wet/dry vacuum cleaner including filter element, suction hose complete with rotary connector (at the vacuum cleaner end) and accessory nozzle connector, PE VC 20/40 plastic dust bag, operating instructions.



To help ensure safe and reliable operation, use only genuine Hilti spare parts and consumables. Spare parts, consumables and accessories approved by us for use with the product can be found at your local **Hilti** Center or online at: www.hilti.group



3.5 Hose diameter setting

VC 20-UM
 VC 20-UME
 VC 40-UM
 VC 40-UME

In order to ensure that the warning tone is triggered correctly, the hose diameter setting must be set correctly to the diameter of the suction hose used.

3.6 Warning tone

VC 20-UM
 VC 20-UME
 VC 40-UM
 VC 40-UME

An warning tone is emitted if the air speed in the suction hose drops below 20 m/s.

3.7 Automatic filter cleaning

The vacuum cleaner is equipped with an automatic filter cleaning system that removes most of the dust adhering to the filter element.

The filter cleaning system can be switched off by pressing the “Automatic filter cleaning ON/OFF” button and switched back on by pressing the button again.

Status	Meaning
LED lights.	The filter cleaning system is active.
LED doesn't light.	The filter cleaning system is not active.

The filter cleaning system is activated automatically each time the vacuum cleaner is switched on. The filter element is cleaned automatically by a blast of air (a pulsating noise is heard).



In order to achieve continuously high suction performance in system applications (especially grinding and sanding, cutting and slitting) or when picking up large quantities of dust, the filter cleaning system must be active.

The filter cleaning system functions only when a suction hose is connected.

3.8 Instructions for use

Accessories and how they are used

Accessories	Type of use
PE VC 20 synthetic dust bag (203854)	Working with mineral materials, wet and dry
PE VC 40 synthetic dust bag (203852)	Working with mineral materials, wet and dry
VC 20 paper dust bag (203858)	Working with wood
VC 40 paper dust bag (203856)	Working with wood
VC 20/40 dry filter (2121386)	Dry
VC 20/40 universal filter (2121387)	Universal use, wet and dry
VC 20/40 performance filter (2121388)	Heavy use, wet and dry
Suction hose, 27 x 3.5 m AS	Wet and dry
Suction hose, 36 mm	Mainly wet, not for dust
Suction hose, 36 x 5 m AS	Wet and dry



- ▶ A plastic dust bag or paper dust bag must always be used. This is essential.

4 Technical data

	VC 20	VC 40
AC frequency	50 Hz ... 60 Hz	50 Hz ... 60 Hz
Weight in accordance with EPTA procedure 01/2003	13 kg	14.7 kg
Dimensions	530 mm x 380 mm x 490 mm	510 mm x 380 mm x 610 mm
Container capacity	21 ℓ	36 ℓ
Effective dust capacity	23 kg	40 kg
Effective water capacity	13.5 ℓ	25 ℓ
Operating temperature	-10 °C ... 40 °C for dry applications	-10 °C ... 40 °C for dry applications
Automatic filter cleaning	15 s	15 s
Protection class	I	I
Degree of protection	IP X4	IP X4

4.1 Rated voltage

When powered by a generator or transformer, the generator or transformer's power output must be at least twice the rated input power shown on the rating plate of the appliance. The operating voltage of the transformer or generator must always be within +5% and -15% of the rated voltage of the appliance.

Rated voltage	100 V	110 V	110 V	200 V
Rated power input	1200 W	1200 W	1100 W	950 W
Maximum load on built-in power outlet for electric tools (if fitted)		1600 W		
Mains connection (type)	VCTF 3 x 2.0 mm ²	A07 QQ-F 3 / 12 AWG	H07 BQ-F 3G 1.5 mm ²	VCTF 3 x 2.0 mm ²

Rated voltage	220 - 240 V	220 - 240 V (CH)	220 - 240 V (GB)	240 V (NZ)
Rated power input	1200 W	1200 W	1200 W	1200 W
Maximum load on built-in power outlet for electric tools (if fitted)	2400 W	1100 W	1800 W	1200 W
Mains connection (type)	H07 RN-F 3G 1.5 mm ²	H07 RN-F 3G 1.5 mm ²	H07 RN-F 3G 1.5 mm ²	H07 RN-F 3G 1.5 mm ²

4.2 Maximum volumetric flow rate and maximum vacuum

		VC 20-UL	VC 40-UL	VC 20-UM	VC 20-UME
Maximum volumetric flow rate (air)	1100 W	135 m ³ /h	135 m ³ /h	135 m ³ /h	135 m ³ /h
	1200 W	145 m ³ /h	145 m ³ /h	145 m ³ /h	145 m ³ /h
Maximum partial vacuum	1100 W	22.0 kPa	22.0 kPa	22.0 kPa	•/•
	1200 W	25.3 kPa	25.3 kPa	25.3 kPa	25.3 kPa



		VC 40-UM	VC 40-UME
Maximum volumetric flow rate (air)	1100 W	135 m ³ /h	135 m ³ /h
	1200 W	145 m ³ /h	145 m ³ /h
Maximum partial vacuum	1100 W	22.0 kPa	22.0 kPa
	1200 W	25.3 kPa	25.3 kPa

4.3 Noise and vibration information, measured in accordance with EN 60335-2-69

The following information applies to all VC 20 and VC 40 industrial vacuum cleaners.

Emission sound pressure level (L_{pA})	71 dB(A)
Uncertainty for the sound pressure level (K_{pA})	2.5 dB(A)
Vibration emission value	< 2.5 m/s ²
Uncertainty (K)	Is already taken into account in the vibration emission value

5 Before use

CAUTION

Risk of injury presented by the appliance running away out of control. The vacuum cleaner may run away out of control if the wheel brakes are not engaged.

- ▶ Engage the wheel brakes so that the vacuum cleaner stands securely.

5.1 Operating the appliance for the first time

1. Open the two catches.
2. Lift the vacuum cleaner top section away from the waste material container.
3. Remove the accessories and packaging from the waste material container.
4. Fit a suitable dust bag in accordance with the instructions.



For picking up dusts with an exposure limit value of > 1 mg/m³, the Class L or Class M version may be used: Plastic dust bag for mineral dust or paper dust bag for wood chips.

For picking up dusts with an exposure limit value of ≥ 0.1 mg/m³, the Class M version must be used: Plastic dust bag for mineral dust or paper dust bag for wood chips.

When used to pick up harmless dusts: plastic dust bag.

5. Fit the vacuum cleaner top section onto the waste material container and close the two catches.
6. Check to ensure that the vacuum cleaner top section is fitted correctly and secured.
7. Connect the suction hose to the appliance.

5.2 Fitting a paper dust bag for picking up wood chips 2

1. Open the two catches.
2. Lift the vacuum cleaner top section away from the waste material container.
3. Fit the new paper dust bag into the adapter and insert these in the waste material container.
4. Fit the vacuum cleaner top section onto the waste material container.
5. Close the two catches.
6. Check to ensure that the vacuum cleaner top section is fitted correctly and secured.
7. Connect the suction hose to the appliance.

5.3 Fitting a plastic dust bag 3

1. Open the two catches.
2. Lift the suction head off the waste material container.
3. Fit a new plastic dust bag (see instructions printed on it) in the waste material container.
4. Fit the suction head on to the waste material container and close the two catches.



6 Operation

DANGER

Electrical hazards. Fatal or serious injury may result if the vacuum cleaner is not correctly connected to the electric supply.

- ▶ Connect the vacuum cleaner only to a properly earthed/grounded power source.

WARNING

Risk of injury. Damage to the filter system may allow harmful dust (health hazard) to escape.

- ▶ In an emergency (e.g. filter ruptured), switch the vacuum cleaner off, unplug the supply cord from the power outlet and have the vacuum cleaner checked by a trained and qualified person before further use.

CAUTION

Risk of injury presented by the appliance running away out of control. The vacuum cleaner may run away out of control if the wheel brakes are not engaged.

- ▶ Engage the wheel brakes so that the vacuum cleaner stands securely.

6.1 Using Class L or Class M vacuum cleaners

VC 20-UL
VC 20-UM
VC 20-UME
VC 40-UL
VC 40-UM
VC 40-UME

DANGER

Risk of injury. Class L, class M and class H vacuum cleaners contain dust that is hazardous to health.

- ▶ Emptying and maintenance, including disposal of the dust collection container, may be carried out only by trained and qualified specialists. Wear the appropriate protective equipment.
- ▶ Before removing the vacuum cleaner from an area contaminated with hazardous substances, use the vacuum cleaner to clean off its own exterior, wipe it clean or place it in a sealed bag or container. As all parts of the appliance must be considered to be contaminated, suitable measures to avoid spreading the dust must be implemented before these parts are removed from the hazardous area.
- ▶ Never operate the vacuum cleaner without the complete filter system fitted.

6.2 Setting the hose diameter

VC 20-UM
VC 20-UME
VC 40-UM
VC 40-UME

1. When picking up dry, non flammable dust which has an exposure limit value, or when picking up wood chips or shavings, adjust the hose diameter setting switch to the correct diameter setting → page 7 for the suction hose used.
2. Set the switch to the smallest hose diameter if you are using the vacuum cleaner with a **Hilti** hollow drill bit system.

6.3 Operation without use of the electric tool power outlet

1. Check that the switch on the appliance is in the "OFF" position off before plugging the supply cord into a power outlet.
2. Plug the vacuum cleaner's supply cord into the power outlet.
3. Turn the control switch to the "ON" position.



6.4 Operation with use of the electric tool power outlet



The electric tool power outlet is to be used only for powering electric tools directly from the vacuum cleaner.

The operating instructions and safety instructions for the electric tool plugged into the electric tool power outlet on the vacuum cleaner must be observed.

1. Unplug the vacuum cleaner's supply cord from the power outlet.
2. Check that the maximum power drawn by the electric tool is below the maximum permissible output of the electric tool power outlet on the vacuum cleaner (please refer to the "Technical data" section of the operating instructions and information printed on the electric tool power outlet).
3. Check to ensure that the electric tool is switched off before plugging its supply cord into the power outlet.
4. Plug the electric tool's supply cord into the electric tool power outlet on the vacuum cleaner.
5. Plug the vacuum cleaner's supply cord into the power outlet.
6. Turn the control switch to the "Auto" position.
7. Switch on the power tool.



The vacuum cleaner will continue to run for a short time after switching off the electric tool in order to ensure that all dust is removed from the suction hose.

6.5 Picking up dry dust



Before picking up dry dust, especially dust from mineral materials, always check to ensure that the correct dust bag is fitted in the container. The material picked up by the vacuum cleaner can then be disposed of cleanly and easily.



CAUTION

Risk of injury by dusts that are hazardous to health! Hazardous material that has been vacuumed up can escape if a filter element is not used.

- ▶ Use the vacuum cleaner only with a filter element installed.
- ▶ Check that the filter element is dry and that the correct type of dust bag is fitted.

6.6 Changing the paper dust bag



DANGER

Risk of injury. Sharp pointed objects may pierce through the dust bag.

- ▶ Check that no objects have pierced through the dust bag.
1. Disconnect the supply cord plug from the power outlet.
 2. Open the two catches.
 3. Lift the vacuum cleaner top section away from the waste material container.
 4. Carefully release the mouth of the dust bag from the adapter.
 5. Close the mouth of the dust bag with the slider.
 6. Clean the waste material container with a cloth.
 7. Fit a new paper dust bag in the waste material container.
 8. Fit the vacuum cleaner top section onto the waste material container and close the two catches.

6.7 Changing a plastic dust bag

1. Disconnect the supply cord plug from the power outlet.
2. Open the two catches.
3. Lift the vacuum cleaner top section away from the waste material container.
4. Use a cable tie to close the plastic dust bag below the punched holes.
5. Remove the plastic dust bag.
6. Clean the waste material container with a cloth.
7. Fit a new plastic dust bag (see instructions printed on it) in the waste material container.
8. Fit the vacuum cleaner top section onto the waste material container and close the two catches.



6.8 Picking up liquids

CAUTION

Risk of injury by dusts that are hazardous to health! Hazardous material that has been vacuumed up can escape if a filter element is not used.

- ▶ Use the vacuum cleaner only with a filter element installed.

1. Check the container level monitoring system. → page 14
2. If possible, use a separate filter element for wet applications.



The Hilti VC 20/40 universal (2121387) filter is recommended.

3. After picking up liquids, open the two catches.
4. Lift the vacuum cleaner top section away from the waste material container and place it on a level surface so that the filter element can dry.
5. Empty the waste material container and use a water hose to rinse it out. Use a brush to clean the electrodes and clean the filter element, after allowing it to dry, by wiping it off with your hand.
6. Allow the waste material container to dry.

6.9 After use of the vacuum cleaner

1. Switch off the electric tool.
2. Turn the vacuum cleaner control switch to the “OFF” position.
3. Unplug the vacuum cleaner’s supply cord from the power outlet.
4. Coil up the supply cord and hang it on the hook.
5. Empty the container and clean the appliance by wiping it with a damp cloth.
6. Coil up the suction hose.
7. Store the vacuum cleaner in a secure, dry place where it is inaccessible to unauthorized users.

6.10 Emptying dry dust from the waste material container

1. Pull the plug out of the power outlet.
2. Lift the vacuum cleaner top section away from the waste material container and place it on a level surface.
3. If the following equipment exists, also take this action:

VC 20-UM
VC 20-UME
VC 40-UM
VC 40-UME

- ▶ Remove the dust bag from the waste material container.

4. If the following equipment exists, also take this action:

VC 20-U
VC 20-UL
VC 40-UL

- ▶ Remove the dust bag from the waste material container or grip the container by the recess provided and empty it by tipping out the contents.

5. Fit the vacuum cleaner top section onto the waste material container and close the two catches.

6.11 Emptying the waste material container when no dust bag is fitted (picking up liquids)

1. Disconnect the supply cord plug from the power outlet.
2. Lift the vacuum cleaner top section away from the waste material container and place it on a level surface.
3. Grip the waste material container by the recess provided and empty it by tipping out the contents.
4. Clean the edge of the waste material container with a cloth.
5. Fit the vacuum cleaner top section onto the waste material container and close the two catches.



7 Care, maintenance, transport and storage

7.1 Care and maintenance of the appliance

WARNING

Electric shock hazard! Improper repairs to electrical parts can lead to serious injuries due to electric shock.

- ▶ Electrical parts may be repaired only by trained electrical specialists.
-
- ▶ **Keep the appliance, especially its grip surfaces, clean and free from oil and grease. Do not use cleaning agents containing silicone.**
 - ▶ Never operate the vacuum cleaner when the air vents are blocked. Clean the air vents carefully using a dry brush. Do not permit foreign objects to enter the interior of the appliance.
 - ▶ Clean the outer surfaces of the appliance with a slightly damp cloth at regular intervals. Do not use a spray system, pressure jet washer or running water for cleaning as this may negatively affect the electrical safety of the appliance.

VC 20-UL
 VC 20-UM
 VC 20-UME
 VC 40-UL
 VC 40-UM
 VC 40-UME

The appliance must be handled for cleaning and maintenance in a way that avoids exposing maintenance personnel and other persons to any hazards.

- ▶ Use filtered forced ventilation.
- ▶ Wear personal protective equipment.
- ▶ Clean the maintenance area in a way that prevents hazardous substances escaping into the surrounding environment.
- ▶ Vacuum off the outer surfaces of the appliance and wipe it clean or seal it in a suitable container, e.g. large plastic bag, before removing it from an area contaminated with hazardous substances. This will help to avoid distribution of the hazardous dust deposited on it.
- ▶ When maintenance or repairs are carried out, all contaminated parts which cannot be satisfactorily cleaned must be packed in impermeable bags and disposed of in compliance with the applicable disposal regulations.
- ▶ The appliance must be subjected to a technical inspection by **Hilti Service** or a trained person at least once a year to check, for example, for damage to the filter, air leakage, and to ensure correct operation of controlling devices.

7.2 Automatic filter cleaning

Do not attempt to clean the filter element by knocking it against a hard object and do not use pointed instruments. This will reduce the life of the filter element.

Do not use compressed air to clean the filter element. This may cause tears in the filter material.

The condition of the filter element deteriorates with use.

- ▶ Replace the filter element at least every six months.
- ▶ However, if used intensively, the filter element should be replaced more often.

7.3 Changing the filter element

1. Disconnect the supply cord plug from the power outlet.
2. Open the filter cover catches.
3. Open the filter cover.
4. Carefully remove the filter element, gripping it at the areas provided in the holder.
5. Clean the sealing surface with a cloth.
6. Fit the new filter element.
7. Close the filter cover by flipping the cover catch forward.
8. Close the filter cover catch.



7.4 Checking the container level monitoring system

1. Engage the wheel brakes so that the vacuum cleaner stands securely.
2. Disconnect the supply cord plug from the power outlet.
3. Open the two catches.
4. Lift the vacuum cleaner top section away from the waste material container and place it on a level surface.
5. Check the cut-out contacts and clean them with a brush if necessary (if dirty).
6. Check the seal at the vacuum cleaner top section and clean it with a cloth if necessary.
7. Fit the vacuum cleaner top section onto the waste material container and close the two catches.

7.5 Checks after cleaning and maintenance

1. After cleaning or carrying out maintenance, check that the vacuum cleaner is assembled correctly and that it functions faultlessly.
2. Test each of the functions.

7.6 Transport

Do not carry the appliance when it is full of waste material.

The appliance may not be lifted directly by crane.

- ▶ When necessary, remove the power conditioner and any loose accessories from their holders or attachment points.
- ▶ Empty the appliance before carrying it to another location.
- ▶ Do not tip the appliance or transport it lying on its side after using it to pick up liquids.
- ▶ Use the tapered adapter to connect both ends of the hose together conveniently for transport.

VC 20-UM
VC 20-UME
VC 40-UM
VC 40-UME



WARNING

Risk of injury by dusts that are hazardous to health! Hazardous material that has been vacuumed up can escape through the suction hose intake fitting.

- ▶ Close the hose inlet socket with the cap before transporting the vacuum cleaner and when it is not in use.

7.7 Storage

- ▶ Store the vacuum cleaner in a secure, dry place where it is inaccessible to unauthorized users.

8 Troubleshooting

If the trouble you are experiencing is not listed in this table or you are unable to remedy the problem by yourself, please contact **Hilti** Service.

8.1 Troubleshooting

Trouble or fault	Possible cause	Action to be taken
	The dust bag is full.	<ul style="list-style-type: none"> ▶ Change the paper dust bag. → page 11 ▶ Change the plastic dust bag. → page 11
	The filter element is clogged with dirt or dust.	<ul style="list-style-type: none"> ▶ If the automatic filter cleaning system is deactivated, activate it and allow the vacuum cleaner to run for 30 seconds. ▶ Change the filter element. → page 13
	The suction hose or dust hood on the electric tool is blocked.	<ul style="list-style-type: none"> ▶ Clean the suction hose and the dust hood.



Trouble or fault	Possible cause	Action to be taken
	The hose diameter setting is incorrect.	▶ Set the hose diameter.
Dust is blown out of the appliance.	The filter element is not fitted correctly.	▶ Fit the filter element again correctly.
	The filter element is damaged.	▶ Fit a new filter element.
The appliance switches itself off or on inadvertently or static electricity discharges through the user.	Electrostatic charge is not conducted away – the appliance is connected to an unearthed/ungrounded power outlet.	▶ Connect the appliance to an earthed/grounded power outlet and use an antistatic suction hose.
The appliance doesn't start or switches itself off after a short time.	The water level cut-out is activated.	▶ Clean the sensors and the area around the sensors with a brush.
The motor doesn't restart.	The mains circuit breaker has been tripped.	▶ Reset the circuit breaker. ▶ Find the reason for the overload current if the circuit breaker trips again.
	The waste material container is full.	▶ Switch the appliance off and empty the waste material container.
		▶ Empty the waste material container. → page 12
	The motor overheating protection cut-out has been activated.	▶ Switch the appliance off and allow it to cool down for about 5 minutes. ▶ If the motor doesn't start, return the appliance to Hilti Service .
The motor overheating protection cut-out switches the motor off repeatedly because the air vents are clogged.	▶ Clean the air vents carefully using a dry brush.	
The motor doesn't run when set to "AUTO".	The appliance is faulty or is not correctly plugged in.	▶ Make sure that the supply cord plug is fully plugged in and check that the appliance functions correctly.
The automatic filter element cleaning system doesn't work.	No suction hose is connected.	▶ Connect the suction hose.

9 Disposal

Most of the materials from which **Hilti** products are manufactured can be recycled. The materials must be correctly separated before they can be recycled. In many countries, your old tools, machines or appliances can be returned to **Hilti** for recycling. Ask **Hilti Service** or your Hilti representative for further information.

In accordance with the European Directive on waste electrical and electronic equipment and its implementation in conformance with national law, electric tools or appliances that have reached the end of their life must be collected separately and returned to an environmentally compatible recycling facility.



- ▶ Do not dispose of electric appliances together with household waste!

Drilling slurry

Disposal of drilling slurry directly into rivers, lakes or the sewerage system without suitable pretreatment presents environmental problems.

- ▶ Ask the local public authorities for information about current regulations.

We recommend the following pretreatment:

- ▶ Collect the drilling slurry (for example, using a wet-type vacuum cleaner).



- ▶ Allow the drilling slurry to settle and dispose of the solid material at a construction waste disposal site (addition of a flocculant may accelerate the settling process).
- ▶ The remaining water (alkaline, pH value greater than 7) must be neutralized by the addition of an acidic neutralizing agent or diluted with a large volume of water before it is allowed to flow into the sewerage system.

Drilling dust

- ▶ Dispose of the drilling dust collected by the vacuum cleaner in accordance with the applicable national regulations.

10 China RoHS (Restriction of Hazardous Substances)

Click on the links to go to the table of hazardous substances: r4635725 (VC 20) r4635725 and (VC 40). There is a link to the RoHS table, in the form of a QR code, at the end of this document.

11 Manufacturer's warranty

- ▶ Please contact your local **Hilti** representative if you have questions about the warranty conditions.

Mode d'emploi original**1 Indications relatives au mode d'emploi**

1.1 À propos de ce mode d'emploi

- Avant de mettre l'appareil en marche, lire impérativement ce mode d'emploi. C'est la condition préalable requise pour assurer la sécurité du travail et un maniement sans perturbations.
- Bien respecter les consignes de sécurité et les avertissements du présent mode d'emploi ainsi que celles figurant sur le produit.
- Toujours conserver le mode d'emploi à proximité du produit et uniquement transmettre le produit à des tiers accompagné de ce mode d'emploi.

1.2 Explication des symboles**1.2.1 Avertissements**

Les avertissements attirent l'attention sur des dangers liés à l'utilisation du produit. Les termes de signalisation suivants sont utilisés :

 **DANGER****DANGER !**

- ▶ Pour un danger imminent qui peut entraîner de graves blessures corporelles ou la mort.
-

 **AVERTISSEMENT****AVERTISSEMENT !**

- ▶ Pour un danger potentiel qui peut entraîner de graves blessures corporelles ou la mort.
-

 **ATTENTION****ATTENTION !**

- ▶ Pour une situation potentiellement dangereuse pouvant entraîner des blessures corporelles ou des dégâts matériels.
-

1.2.2 Symboles dans la documentation

Les symboles suivants sont utilisés dans nos documentations :



Lire le mode d'emploi avant d'utiliser l'appareil



	Attention
	Pour des conseils d'utilisation et autres informations utiles
	Maniement des matériaux recyclables
	Ne pas jeter les appareils électriques et les accus dans les ordures ménagères

1.2.3 Symboles dans les illustrations

Les symboles suivants sont utilisés dans nos illustrations :

	Ces chiffres renvoient à l'illustration correspondante au début du présent mode d'emploi
	La numérotation détermine la séquence des étapes de travail dans l'image et peut se différencier de celles des étapes de travail dans le texte
	Les numéros de position sont utilisés dans l'illustration Vue d'ensemble et renvoient aux numéros des légendes dans la section Vue d'ensemble du produit
	Ce signe doit inviter à manier le produit en faisant particulièrement attention.

1.3 Symboles spécifiques au produit

1.3.1 Symboles sur le produit

Les symboles suivants sont utilisés sur le produit :

	Avertissement, risque de surfaces chaudes
	Transport par pont roulant ou grue interdit

1.4 Sur l'appareil

VC 20-UL
VC 40-UL



AVERTISSEMENT : Cet appareil contient des poussières dangereuses pour la santé. La vidange et l'entretien de l'appareil, y compris l'enlèvement du sachet de poussière, sont des opérations exclusivement réservées à des spécialistes porteurs d'un équipement de protection personnel. Ne pas enclencher l'appareil tant que le système de filtration n'a pas été installé.

VC 20-UM
VC 20-UME
VC 40-UM
VC 40-UME



AVERTISSEMENT : Cet appareil contient des poussières dangereuses pour la santé. La vidange et l'entretien de l'appareil, y compris l'enlèvement du sachet de poussière, sont des opérations exclusivement réservées à des spécialistes porteurs d'un équipement de protection personnel. Ne pas



enclencher l'appareil tant que le système de filtration n'a pas été installé au complet et que le bon fonctionnement du contrôleur de débit n'a pas été vérifié.

1.5 Informations produit

Les produits **Hilti** sont destinés aux professionnels et ne doivent être utilisés, entretenus et réparés que par un personnel autorisé et formé. Ce personnel doit être au courant des dangers inhérents à l'utilisation de l'appareil. Le produit et ses accessoires peuvent s'avérer dangereux s'ils sont utilisés de manière incorrecte par un personnel non qualifié ou de manière non conforme à l'usage prévu.

La désignation du modèle et le numéro de série figurent sur sa plaque signalétique.

- ▶ Inscrivez le numéro de série dans le tableau suivant. Les informations produit vous seront demandées lorsque vous contactez nos revendeurs ou services après-vente.

Caractéristiques produit → Page 18

Caractéristiques produit

Aspirateur de déchets secs et liquides	VC 20-U VC 20-UL VC 20-UM VC 20-UME VC 40-U VC 40-UL VC 40-UM VC 40-UME
Génération	02
N° de série	

1.6 Déclaration de conformité

Nous déclarons sous notre seule et unique responsabilité que le produit décrit ici est conforme aux directives et normes en vigueur. Une copie de la Déclaration de conformité se trouve en fin de la présente documentation.

Pour obtenir les documentations techniques, s'adresser à :

Hilti Entwicklungsgesellschaft mbH | Zulassung Geräte | Hiltistraße 6 | 86916 Kaufering, DE

2 Sécurité

2.1 Consignes de sécurité

2.1.1 Indications générales de sécurité

Outre les consignes techniques de sécurité indiquées dans les différents chapitres du présent mode d'emploi, il y a lieu de toujours respecter strictement les directives suivantes.

- ▶ **Toutes les remarques doivent être lues attentivement !** Le non-respect des remarques suivantes peut entraîner une électrocution, un incendie et/ou des blessures importantes.
- ▶ **Si l'appareil est utilisé avec un outil électroportatif, avant toute utilisation, lire impérativement les instructions du mode d'emploi de l'outil électroportatif et observer toutes les consignes qui y figurent.**
- ▶ **Toute manipulation ou modification de l'appareil est interdite.**
- ▶ **Utiliser l'appareil approprié. Ne pas utiliser l'appareil à des fins non prévues, mais seulement conformément aux spécifications et dans un excellent état.**
- ▶ **Avant la mise en service du produit, s'informer sur son maniement, les dangers engendrés par les matériaux et l'élimination en toute sécurité des matériaux aspirés.**
- ▶ **Prêter attention aux influences de l'environnement de l'espace de travail. Ne pas utiliser l'appareil dans des endroits présentant un danger d'incendie ou d'explosion.**
- ▶ **L'appareil doit uniquement être utilisé par des personnes qui connaissent bien l'appareil, ont été formées quant à son utilisation en toute sécurité et comprennent les dangers qui en résultent. L'appareil n'est pas destiné aux enfants.**
- ▶ **Conserver les appareils non utilisés en toute sécurité. Tous les appareils non utilisés doivent être rangés dans un endroit sec, en hauteur ou fermé à clé, hors de portée des enfants.**

2.1.2 Sécurité des personnes

- ▶ **Restez vigilant, surveillez ce que vous faites. Faites preuve de bon sens en utilisant le produit. N'utilisez pas l'aspirateur si vous êtes fatigué ou après avoir consommé de l'alcool, des drogues ou avoir pris des médicaments.** Un moment d'inattention lors de l'utilisation de l'appareil peut entraîner de graves blessures.



- ▶ **L'utilisateur et les personnes se trouvant à proximité pendant l'utilisation et l'entretien de l'appareil doivent porter des lunettes de protection adaptées, un casque de protection, un casque antibruit, des gants de protection, des chaussures de sécurité et un masque respiratoire léger.**
- ▶ **Pour assurer une bonne stabilité de l'aspirateur, utiliser les freins de roue.** Si les freins de roue sont desserrés, il y a risque que l'aspirateur se mette en mouvement de manière incontrôlée.
- ▶ **Si des dispositifs servant à aspirer ou à recueillir les poussières doivent être utilisés, s'assurer qu'ils sont effectivement raccordés et correctement utilisés.** L'utilisation d'un dispositif d'aspiration peut réduire les risques dus aux poussières.

2.1.3 Utilisation et emploi soigneux de l'appareil

- ▶ **Ne jamais laisser l'appareil sans surveillance.**
- ▶ **Ne pas désactiver le nettoyage de filtre automatique en cours d'aspiration de poussières dangereuses en particulier si des outils électroportatifs générant des poussières sont utilisés.**
- ▶ **Protéger l'appareil du gel.**
- ▶ **Nettoyer régulièrement le dispositif de jaugeage d'eau à l'aide d'une brosse et vérifier qu'il ne présente pas de signes d'endommagements.**
- ▶ **Lors de la mise en place de la tête aspirante, veiller à ne pas se coincer et à ne pas endommager le câble d'alimentation réseau.** Il y a risque de blessures et d'endommagement.
- ▶ **Vérifier que l'appareil et l'accessoire ne présentent pas d'éventuels dommages. Avant toute autre utilisation, les dispositifs de sécurité et les pièces légèrement endommagées doivent être soigneusement contrôlés pour garantir un excellent fonctionnement, conforme aux spécifications. Vérifier que toutes les pièces mobiles fonctionnent parfaitement et ne coincent pas, et que les pièces ne sont pas abîmées. Toutes les pièces doivent être montées correctement et remplir toutes les conditions propres à garantir le parfait fonctionnement de l'appareil.**
- ▶ **L'appareil doit uniquement être réparé par un personnel qualifié et seulement avec des pièces de rechange d'origine.** Ceci permet d'assurer la sécurité de l'appareil.
- ▶ **Toujours débrancher la fiche d'alimentation de la prise lorsque l'appareil n'est pas utilisé (pendant les pauses), avant le nettoyage et l'entretien, le remplacement de pièces d'accessoires ou le changement de filtre.** Cette mesure de précaution empêche une mise en fonctionnement par mégarde de l'appareil.
- ▶ **Ne jamais tirer l'aspirateur par le câble d'alimentation réseau dans une autre position de travail. Ne pas rouler avec l'aspirateur sur le câble d'alimentation.**
- ▶ **Ne jamais transporter l'appareil à l'aide d'une grue.**

VC 20-UM
 VC 20-UME
 VC 40-UM
 VC 40-UME

- ▶ **Pour le transport ou si l'appareil n'est pas utilisé, fermer le manchon de raccord flexible.**

2.1.4 Sécurité relative au système électrique

- ▶ **La fiche de secteur de l'appareil doit être appropriée à la prise de courant. Ne jamais modifier la fiche de quelque façon que ce soit. Ne pas utiliser de fiches d'adaptateur avec des appareils avec mise à la terre.** Les fiches non modifiées et les prises de courant appropriées réduisent le risque de choc électrique.
- ▶ **Brancher la fiche dans une prise appropriée, convenablement mise à la terre, installée en toute sécurité et conforme à toutes les exigences locales. S'il n'est pas certain que la prise est bien mise à la terre, la faire vérifier par un électricien qualifié.**
- ▶ **Éviter le contact physique avec des surfaces mises à la terre tels que tuyaux, radiateurs, cuisinières et réfrigérateurs.** Il y a un risque élevé de choc électrique au cas où votre corps serait relié à la terre.
- ▶ **Ne pas exposer l'appareil à la pluie ou à l'humidité.** La pénétration d'eau dans un appareil électrique augmente le risque d'un choc électrique.
- ▶ **S'assurer que le câble d'alimentation secteur ne repose pas dans des flaques.**
- ▶ **Contrôler régulièrement les câbles de raccordement de l'appareil et les faire remplacer par un S.A.V. Hilti s'ils sont endommagés. Contrôler régulièrement les câbles de rallonge et les remplacer s'ils sont endommagés.**
- ▶ **Si le cordon d'alimentation secteur et/ou le câble de rallonge sont endommagés pendant le travail, ne pas les toucher. Débrancher la fiche de la prise.** Tous cordons d'alimentation secteur et câbles de rallonge endommagés représentent un danger d'électrocution.
- ▶ **Le câble d'alimentation doit uniquement être remplacé par un câble conforme au type indiqué dans le présent mode d'emploi.**



- ▶ **Ne pas utiliser le câble à d'autres fins que celles prévues, ne pas utiliser le câble pour porter l'appareil ou pour l'accrocher ou encore pour le débrancher de la prise de courant. Maintenir le câble éloigné des sources de chaleur, des parties grasses, des bords tranchants ou des parties de l'appareil en rotation.** Un câble endommagé ou torsadé augmente le risque d'un choc électrique.
- ▶ **Si l'appareil électrique est utilisé à l'extérieur, utiliser uniquement une rallonge homologuée pour les applications extérieures.** L'utilisation d'une rallonge électrique homologuée pour les applications extérieures réduit le risque d'un choc électrique.
- ▶ **En cas de coupure de courant, arrêter l'appareil et retirer la fiche de la prise de courant.**
- ▶ **N'utiliser la prise intégrée pour branchement d'appareils électriques qu'à des fins spécifiées dans le mode d'emploi.**
- ▶ **Ne jamais faire fonctionner l'appareil s'il est encrassé ou mouillé.** Dans de mauvaises conditions d'utilisation, la poussière collée à la surface de l'appareil, surtout la poussière de matériaux conducteurs, ou l'humidité, peut entraîner une électrocution. **C'est pourquoi il convient de faire réviser les appareils encrassés par le S.A.V. Hilti à intervalles réguliers, surtout s'ils sont utilisés sur des matériaux conducteurs.**

2.1.5 Place de travail

- ▶ **Veiller à ce que l'espace de travail soit bien éclairé.**
- ▶ **Veiller à ce que le poste de travail soit bien ventilé.** Des places de travail mal ventilées peuvent nuire à la santé du fait de la présence excessive de poussière.
- ▶ **Laisser le poste de travail en ordre. Débarrasser le poste de travail de tous objets susceptibles de blesser.** Un désordre sur le lieu de travail peut provoquer des accidents.
- ▶ **Ne pas utiliser l'appareil dans un environnement présentant des risques d'explosion et où se trouvent des liquides, des gaz ou poussières inflammables.** Les appareils électriques génèrent des étincelles risquant d'enflammer les poussières ou les vapeurs.
- ▶ **Redoubler d'attention lors d'interventions sur des escaliers.**

2.1.6 Matériau aspiré

- ▶ **Il est interdit d'aspirer des poussières nuisibles à la santé, inflammables et/ou explosives (poussières de magnésium-aluminium, etc.). Les matériaux qui sont plus chauds que 60 °C ne doivent pas être aspirés (p. ex. cigarettes mal éteintes, cendres chaudes).**
- ▶ **Il est interdit d'aspirer des liquides inflammables, explosifs, agressifs (agents réfrigérants et lubrifiants, essence, solvants, acides (pH < 5), lessives alcalines (pH > 12,5), etc.).**
- ▶ **Arrêter immédiatement l'appareil si de la mousse ou des liquides en sortent.**
- ▶ **Porter des gants pour aspirer des matériaux brûlants jusqu'à une température max. de 60 °C.**
- ▶ **Lors de travaux avec boues de forage minérales, porter des vêtements de protection et éviter tout contact avec la peau (pH > 9 corrosif).**
- ▶ **Éviter tout contact avec des liquides basiques ou acides. En cas de contact par mégarde, rincer soigneusement avec de l'eau. Si le liquide rentre dans les yeux, les rincer abondamment à l'eau et consulter en plus un médecin.**

VC 20-UL

VC 40-UL

- ▶ Dans la classe de poussières L, l'appareil convient pour aspirer des poussières sèches, non inflammables, des copeaux de bois et des poussières nocives ayant des valeurs limites d'exposition > 1 mg/m³. **L'appareil doit être équipé avec les filtres appropriés en fonction de la dangerosité des poussières à aspirer.**

VC 20-UM

VC 20-UME

VC 40-UM

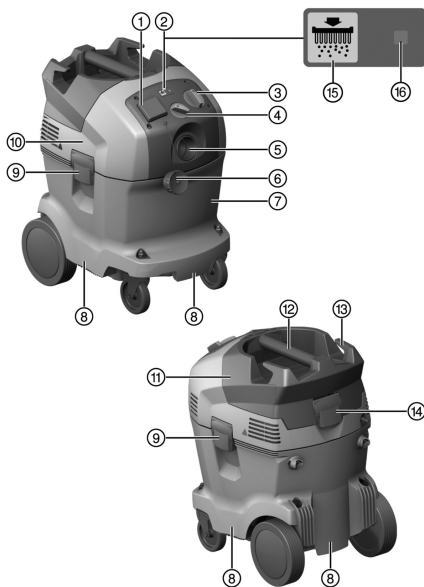
VC 40-UME

- ▶ Dans la classe de poussières M, l'appareil convient pour aspirer des poussières sèches, non inflammables, des copeaux de bois et des poussières nocives ayant des valeurs limites d'exposition $\geq 0,1$ mg/m³. **L'appareil doit être équipé avec les filtres appropriés en fonction de la dangerosité des poussières à aspirer.**



3 Description

3.1 Vue d'ensemble du produit 1



- ① Prise de l'appareil
VC 20/40-UME, en option pour VC 20/40-U
et VC 20/40-UL
- ② Nettoyage de filtre automatique
- ③ Commutateur de l'appareil
- ④ Réglage du diamètre du flexible d'aspiration
(VC 20-UM OU VC 20-UME OU VC 40-UM
OU VC 40-UME)
- ⑤ Raccord d'entrée
- ⑥ Fermeture du raccord d'entrée (VC 20-UM
OU VC 20-UME OU VC 40-UM OU VC 40-
UME)
- ⑦ Réservoir de salissures
- ⑧ Poignée encastrée
- ⑨ Brides de fermeture
- ⑩ Tête aspirante
- ⑪ Couverture de filtre
- ⑫ Poignée
- ⑬ Crochet pour câble
- ⑭ Brides de fermeture pour couvercle de filtre
- ⑮ Touche « Nettoyage de filtre auto-
matique Activé/ Désactivé »
- ⑯ Indication de l'état « Nettoyage de filtre auto-
matique »

3.2 Utilisation conforme à l'usage prévu

Les produits décrits ici sont des aspirateurs industriels universels destinés à un usage professionnel. Ils peuvent être utilisés pour des applications sèches et humides.

Les produits **Hilti** sont destinés aux utilisateurs professionnels et ne doivent être utilisés, entretenus et réparés que par un personnel agréé, formé à cet effet. Le produit et ses accessoires peuvent s'avérer dangereux s'ils sont utilisés de manière incorrecte par un personnel non qualifié ou de manière non conforme à l'usage prévu. Il est interdit d'utiliser ce produit pour aspirer sur des êtres humains ou des animaux. Toute utilisation en immersion est interdite.

- ▶ Avant la mise en service du produit, s'informer sur son maniement, les dangers engendrés par les matériaux et l'élimination en toute sécurité des matériaux aspirés.
- ▶ Ne pas utiliser le produit dans des installations à fonctionnement continu, automatique ou semi-automatique.
- ▶ Utiliser uniquement les accessoires et outils **Hilti** d'origine, pour éviter tout risque de blessure.
- ▶ Pour éviter tout effet électrostatique, utiliser un flexible d'aspiration antistatique.
- ▶ N'aspirer aucun objet susceptible de provoquer des blessures à travers le sac à poussières (tel qu'un matériau pointu ou tranchant).
- ▶ Ne pas utiliser le produit comme escabeau.

Ce produit est destiné à un usage professionnel pour les applications suivantes :

- Aspiration de grandes quantités de poussières avec meules diamantées, tronçonneuses, perforateurs-burineurs et des couronnes pour forage à sec **Hilti**.
- Aspiration de boues de forage minérales avec meules diamantées **Hilti** resp. scies diamantées **Hilti** et du matériau liquide aspiré jusqu'à une température < 60 °C (140°F).
- Aspiration d'huiles et de fluides jusqu'à une température < 60 °C (140 °F).
- Nettoyage à sec et par voie humide de surfaces murales et au sol

Utilisation complémentaire pour les types suivants :



VC 20-UL
VC 40-UL

Ce produit est conçu pour les applications suivantes :

- Aspiration de poussières sèches, non inflammables, de liquides, de copeaux de bois et de poussières nocives ayant des valeurs limites d'exposition $> 1 \text{ mg/m}^3$ (classe de poussières L).

VC 20-UM
VC 20-UME
VC 40-UM
VC 40-UME

Ce produit est conçu pour les applications suivantes :

- Aspiration de poussières sèches, non inflammables, de liquides, de copeaux de bois et de poussières nocives ayant des valeurs limites d'exposition $\geq 0,1 \text{ mg/m}^3$ (classe de poussières M).



Lors de l'aspiration de poussières aux valeurs limites d'exposition autorisées sur le poste de travail, un renouvellement d'air suffisant doit être assuré dans le lieu d'utilisation, si la ventilation de l'appareil y est ramenée.

Seule l'aspiration de substances nocives conformes à IEC 60335-2-69 (classe L/M) avec un aspirateur approprié est autorisée. L'aspiration de toutes les autres substances nocives est interdite.

Il est interdit d'aspirer de l'huile et des fluides dont la température est $\geq 60 \text{ °C}$ (140 °F).

3.3 Mauvaise utilisation possible

- L'aspirateur industriel ne doit pas être utilisé en position couchée.
- L'aspirateur industriel ne doit pas être utilisé pour aspirer des substances explosives, incandescentes, brûlantes ou inflammables, ni poussières agressives (p. ex. poussières de magnésium-aluminium, etc.) (exception : copeaux de bois).
- L'aspirateur industriel ne doit pas être utilisé pour aspirer des liquides inflammables (p. ex. essence, solvants, acides, agents réfrigérants et lubrifiants, etc.).
- Ne pas travailler sur des matériaux susceptibles de nuire à la santé (par ex. amiante).

3.4 Équipement livré

Aspirateur de déchets secs et liquides avec cartouche filtrante, flexible d'aspiration complet avec manchon rotatif (côté aspiration) et manchon à outil, sac à poussières en plastique PE VC 20/40, mode d'emploi.



Pour une utilisation en toute sécurité, utiliser uniquement des pièces de rechange et consommables d'origine. Vous trouverez les pièces de rechange, consommables et accessoires autorisés par Hilti convenant pour votre produit dans le centre **Hilti** ou sous : www.hilti.group

3.5 Réglage du diamètre du flexible d'aspiration

VC 20-UM
VC 20-UME
VC 40-UM
VC 40-UME

Pour que le signal d'avertissement acoustique se déclenche correctement, adapter le diamètre du flexible d'aspiration selon le flexible utilisé.



3.6 Signal d'avertissement acoustique

VC 20-UM
VC 20-UME
VC 40-UM
VC 40-UME

Si la vitesse de l'air dans le flexible d'aspiration chute en dessous de 20 m/s, un signal d'avertissement acoustique retentit pour des raisons de sécurité.

3.7 Nettoyage de filtre automatique

L'appareil dispose d'une fonction de nettoyage de filtre automatique, qui permet d'éliminer le maximum de poussière adhérente à la cartouche filtrante.

Appuyer sur la touche « Nettoyage de filtre automatique Activé/ Désactivé » pour désactiver le nettoyage de filtre et réappuyer pour le réactiver.

État	Signification
LED allumée.	Le nettoyage de filtre est activé.
LED non allumée.	Le nettoyage de filtre est désactivé.

Au démarrage de l'aspirateur, le nettoyage de filtre est automatiquement activé.

La cartouche filtrante est automatiquement nettoyée par un souffle d'air (bruit pulsatif).



En cas d'applications système (en particulier en cas de meulage, tronçonnage et rainurage) ou d'aspiration de quantités de poussières plus importantes, le nettoyage de filtre doit être activé, afin d'assurer une puissance d'aspiration élevée durable.

Le nettoyage de filtre fonctionne uniquement si le flexible d'aspiration est raccordé.

3.8 Indications relatives à l'utilisation

Accessoires et leur mode d'utilisation

Accessoires	Type d'application
Sac à poussières en plastique PE VC 20 (203854)	applications minérales, humides et sèches
Sac à poussières en plastique PE VC 40 (203852)	applications minérales, humides et sèches
Sac à poussières en papier VC 20 (203858)	applications sur bois
Sac à poussières en papier VC 40 (203856)	applications sur bois
Filtre VC 20/40 sec (2121386)	sèches
Filtre VC 20/40 universel (2121387)	universel, applications humides et sèches
Filtre VC 20/40 performance (2121388)	applications intensives humides et sèches
Flexible d'aspiration 27 X 3,5m AS	humides et sèches
Flexible d'aspiration 36 mm	essentiellement humide, pas d'application avec poussières
Flexible d'aspiration 36 X 5m AS	humides et sèches

VC 20-UM
VC 20-UME
VC 40-UM
VC 40-UME

- Utiliser impérativement un sac à poussières en plastique ou un sac à poussières en papier.

4 Caractéristiques techniques

	VC 20	VC 40
Fréquence du secteur	50 Hz ... 60 Hz	50 Hz ... 60 Hz
Poids selon la procédure EPTA 01/2003	13 kg	14,7 kg
Dimensions	530 mm x 380 mm x 490 mm	510 mm x 380 mm x 610 mm



	VC 20	VC 40
Volume de cuve	21 ℓ	36 ℓ
Volume de poussières utile	23 kg	40 kg
Volume d'eau utile	13,5 ℓ	25 ℓ
Température de service	-10 °C ... 40 °C pour applications à sec	-10 °C ... 40 °C pour applications à sec
Nettoyage de filtre automatique	15 s	15 s
Classe de protection	I	I
Classe de protection	IP X4	IP X4

4.1 Tension de référence

i En cas d'utilisation avec un groupe électrogène ou un transformateur, leur puissance d'alimentation doit être au moins égale au double de la puissance indiquée sur la plaque signalétique de l'appareil. La tension de service du groupe électrogène ou du transformateur doit être toujours comprise entre +5 % et -15 % par rapport à la tension nominale de l'appareil.

Tension de référence	100 V	110 V	110 V	200 V
Puissance absorbée de référence	1200 W	1200 W	1100 W	950 W
Puissance connectée de la prise de l'appareil intégrée pour outil électroportatif (si existante)		1600 W		
Alimentation secteur (type)	VCTF 3 x 2,0 mm ²	A07 QQ-F 3 / 12 AWG	H07 BQ-F 3G 1,5 mm ²	VCTF 3 x 2,0 mm ²

Tension de référence	220 - 240 V	220 - 240 V (CH)	220 - 240 V (GB)	240 V (NZ)
Puissance absorbée de référence	1200 W	1200 W	1200 W	1200 W
Puissance connectée de la prise de l'appareil intégrée pour outil électroportatif (si existante)	2400 W	1100 W	1800 W	1200 W
Alimentation secteur (type)	H07 RN-F 3G 1,5 mm ²	H07 RN-F 3G 1,5 mm ²	H07 RN-F 3G 1,5 mm ²	H07 RN-F 3G 1,5 mm ²

4.2 Débit volumique maximal et dépression maximale

		VC 20-UL	VC 40-UL	VC 20-UM	VC 20-UME
Débit volumique maximal (air)	1100 W	135 m ³ /h	135 m ³ /h	135 m ³ /h	135 m ³ /h
	1200 W	145 m ³ /h	145 m ³ /h	145 m ³ /h	145 m ³ /h
Dépression maximale	1100 W	22,0 kPa	22,0 kPa	22,0 kPa	•/•
	1200 W	25,3 kPa	25,3 kPa	25,3 kPa	25,3 kPa

		VC 40-UM	VC 40-UME
Débit volumique maximal (air)	1100 W	135 m ³ /h	135 m ³ /h
	1200 W	145 m ³ /h	145 m ³ /h
Dépression maximale	1100 W	22,0 kPa	22,0 kPa
	1200 W	25,3 kPa	25,3 kPa



4.3 Niveaux de bruit et de vibrations (mesurés selon EN 60335-2-69)

Les indications suivantes s'appliquent à tous les aspirateurs industriels VC 20 et VC 40.

Niveau de pression acoustique d'émission (L_{pA})	71 dB(A)
Incertitude sur la mesure du niveau de pression acoustique (K_{pA})	2,5 dB(A)
Valeur des émissions vibratoires	< 2,5 m/s ²
Incertitude (K)	pris en compte dans la valeur des émissions vibratoires

5 Mise en service

ATTENTION

Risque de blessures du fait de mouvements incontrôlés ! Si les freins de roue sont desserrés, il y a risque que l'aspirateur se mette en mouvement de manière incontrôlée.

- ▶ Pour assurer une bonne stabilité de l'aspirateur, utiliser les freins de roue.

5.1 Première mise en service

1. Ouvrir les deux brides de fermeture.
2. Soulever la tête aspirante de la cuve de récupération de saletés.
3. Enlever les pièces d'accessoires de la cuve de récupération de saletés et de l'emballage.
4. Introduire le sac à poussières conformément aux instructions.



Pour aspirer des poussières aux valeurs limites d'exposition > 1 mg/m³, utiliser des aspirateurs de classes L ou M : sac à poussières en plastique pour des poussières minérales ou sac à poussières en papier pour des copeaux de bois.

Pour aspirer des poussières aux valeurs limites d'exposition ≥ 0,1 mg/m³, utiliser des aspirateurs de classe M : sac à poussières en plastique pour des poussières minérales ou sac à poussières en papier pour des copeaux de bois.

Pour l'aspiration de poussières non dangereuses : sac à poussières en plastique.

5. Mettre la tête aspirante en place sur la cuve de récupération de saletés et fermer les deux brides de fermeture.
6. S'assurer que la tête aspirante est correctement montée et verrouillée.
7. Raccorder le flexible d'aspiration à l'appareil.

5.2 Mise en place d'un sac à poussières en papier pour aspirer des copeaux de bois

1. Ouvrir les deux brides de fermeture.
2. Soulever la tête aspirante de la cuve de récupération de saletés.
3. Introduire le nouveau sac à poussières en papier dans l'adaptateur et le mettre dans la cuve de récupération de saletés.
4. Mettre la tête aspirante en place sur la cuve de récupération de saletés.
5. Fermer les deux brides de fermeture.
6. S'assurer que la tête aspirante est correctement montée et verrouillée.
7. Raccorder le flexible d'aspiration à l'appareil.

5.3 Mise en place du sac à poussières en plastique

1. Ouvrir les deux brides de fermeture.
2. Soulever la tête aspirante de la cuve de récupération de saletés.
3. Fixer un nouveau sac à poussières en plastique dans la cuve de récupération de saletés (conformément aux instructions imprimées).
4. Mettre la tête aspirante en place sur la cuve de récupération de saletés et fermer les deux brides de fermeture.



6 Utilisation

DANGER

Danger d'électrocution. Si l'aspirateur n'est pas correctement branché, il y a risque de mort ou de blessures graves.

- ▶ L'aspirateur doit exclusivement être branché à une source d'alimentation mise à la terre.

AVERTISSEMENT

Risque de blessures. Un système de filtration endommagé peut générer des poussières nocives pour la santé.

- ▶ En cas d'urgence (par ex. rupture du filtre), arrêter l'appareil, le débrancher du secteur et le faire contrôler par un personnel qualifié avant toute réutilisation.

ATTENTION

Risque de blessures du fait de mouvements incontrôlés ! Si les freins de roue sont desserrés, il y a risque que l'aspirateur se mette en mouvement de manière incontrôlée.

- ▶ Pour assurer une bonne stabilité de l'aspirateur, utiliser les freins de roue.

6.1 Utilisation d'aspirateurs de classes L ou M

VC 20-UL
VC 20-UM
VC 20-UME
VC 40-UL
VC 40-UM
VC 40-UME

DANGER

Risque de blessures. Dans le cas d'aspirateurs de classes L, M et H, l'aspirateur contient des poussières nocives.

- ▶ Les travaux de vidage et d'entretien, y compris l'élimination du récipient collecteur de poussières, doivent uniquement être effectués par des professionnels compétents. Portez des équipements de protection appropriés.
- ▶ Avant de retirer l'aspirateur d'une zone polluée par des matières dangereuses, aspirer l'extérieur de l'aspirateur, l'essuyer jusqu'à ce qu'il soit propre ou l'emballer de façon étanche. Étant donné que toutes les parties de la machine doivent être considérées comme contaminées, à leur sortie de la zone dangereuse, prendre les mesures qui s'imposent pour éviter toute dispersion des poussières.
- ▶ Ne jamais utiliser l'aspirateur si le système de filtration n'est pas complet.

6.2 Réglage du diamètre du flexible d'aspiration

VC 20-UM
VC 20-UME
VC 40-UM
VC 40-UME

1. Pour l'aspiration/la succion de poussières sèches, non inflammables, ayant des valeurs limites d'exposition et de copeaux de bois, adapter le diamètre du flexible d'aspiration à l'aide de l'interrupteur de réglage du diamètre du flexible → Page 22.
2. Si l'appareil est utilisé avec le système de perçage **Hilti**, sélectionner le diamètre du flexible le plus petit.

6.3 Fonctionnement sans utilisation de la prise de l'appareil

1. Avant de brancher la fiche secteur, s'assurer que l'interrupteur de l'appareil est sur «OFF» (arrêt).
2. Brancher la fiche d'alimentation de l'aspirateur dans la prise.
3. Tourner le commutateur de l'appareil sur la position «ON» (marche).



6.4 Fonctionnement avec utilisation de la prise de l'appareil

La prise de l'appareil est uniquement prévue pour raccorder directement des outils électroportatifs à l'aspirateur.

Lorsque des outils électroportatifs sont branchés à la prise de l'appareil, observer impérativement les instructions de leur mode d'emploi et les consignes de sécurité qui y figurent.

1. Débrancher de la prise la fiche d'alimentation de l'aspirateur.
2. S'assurer que la puissance absorbée maximale de l'outil électroportatif à raccorder est inférieure à la puissance de l'appareil maximale admise, voir chapitre «Caractéristiques techniques» et indications sur la prise intégrée pour branchement d'appareils.
3. Avant de brancher la fiche secteur de l'outil électroportatif, s'assurer que l'outil électroportatif est arrêté.
4. Brancher la fiche d'alimentation de l'outil électroportatif dans la prise de l'appareil.
5. Brancher la fiche d'alimentation de l'aspirateur dans la prise.
6. Tourner l'interrupteur de l'appareil sur la position «Auto».
7. Mettre l'outil électroportatif en marche.

Après l'arrêt de l'outil électroportatif, l'aspirateur continue encore de marcher un court instant, le temps que la poussière se trouvant dans le flexible soit aspirée.

6.5 Aspiration de poussières sèches

Avant d'aspirer des poussières sèches et en particulier des poussières minérales, toujours vérifier que le sac à poussières qui convient a bien été mis dans la cuve. Ainsi, les matières aspirées peuvent être éliminées simplement et proprement.

ATTENTION

Risque de blessures par des poussières nocives ! Si aucune cartouche filtrante n'est utilisée, il y a un risque que le matériau aspiré sorte.

- ▶ N'utiliser l'aspirateur qu'avec cartouche filtrante en place.
- ▶ S'assurer que la cartouche filtrante est bien sèche et que le sac à poussières adéquat est en place.

6.6 Remplacement du sac à poussières en papier

DANGER

Risque de blessures. Des objets pointus risquent de transpercer le sac d'aspirateur.

- ▶ S'assurer qu'aucun objet n'a percé le sac d'aspirateur.

1. Débrancher la fiche de la prise.
2. Ouvrir les deux brides de fermeture.
3. Soulever la tête aspirante de la cuve de récupération de saletés.
4. Dans le cas d'un sac à poussières en papier, séparer avec précaution le manchon du sac à poussières en papier de son adaptateur.
5. Obturer le manchon du sac à poussières à l'aide du coulisseau.
6. Nettoyer la cuve de récupération de saletés avec un chiffon.
7. Fixer un nouveau sac à poussières en papier dans la cuve de récupération de saletés.
8. Mettre la tête aspirante en place sur la cuve de récupération de saletés et fermer les deux brides de fermeture.

6.7 Remplacement du sac à poussières en plastique

1. Débrancher la fiche de la prise.
2. Ouvrir les deux brides de fermeture.
3. Soulever la tête aspirante de la cuve de récupération de saletés.
4. Fermer le sac à poussières en plastique avec un lien sous les perforations.
5. Sortir le sac à poussières en plastique.
6. Nettoyer la cuve de récupération de saletés avec un chiffon.



7. Fixer un nouveau sac à poussières en plastique dans la cuve de récupération de saletés (conformément aux instructions imprimées).
8. Mettre la tête aspirante en place sur la cuve de récupération de saletés et fermer les deux brides de fermeture.

6.8 Aspiration de liquides

ATTENTION

Risque de blessures par des poussières nocives ! Si aucune cartouche filtrante n'est utilisée, il y a un risque que le matériau aspiré sorte.

- ▶ N'utiliser l'aspirateur qu'avec cartouche filtrante en place.

1. Contrôler le dispositif de surveillance de niveau. → Page 30
2. Dans la mesure du possible, utiliser une autre cartouche filtrante pour aspirer les déchets humides.



Nous recommandons le filtre **Hilti VC 20/40** universel (2121387).

3. Après avoir aspiré des liquides, ouvrir les deux brides de fermeture.
4. Soulever la tête aspirante de la cuve de récupération de saletés et la poser sur un support plan, de sorte que la cartouche filtrante puisse sécher.
5. Vider la cuve de récupération de saletés et la nettoyer à l'aide d'un flexible à eau. Nettoyer les électrodes à l'aide d'une brosse et la cartouche filtrante, après l'avoir préalablement séchée en essuyant à la main.
6. Laisser la cuve de récupération de saletés sécher.

6.9 Après aspiration

1. Arrêter l'outil électroportatif.
2. Tourner le commutateur de l'appareil sur "OFF".
3. Débrancher de la prise la fiche d'alimentation de l'aspirateur.
4. Enrouler le cordon d'alimentation et le suspendre au crochet pour câble.
5. Vider la cuve et nettoyer l'appareil en essuyant avec un chiffon humide.
6. Enrouler le flexible.
7. Déposer l'aspirateur dans un local sec, à l'abri de toute utilisation non autorisée.

6.10 Vidage de la cuve de récupération de saletés en cas de poussières sèches

1. Débrancher la fiche de la prise.
2. Soulever la tête aspirante de la cuve de récupération de saletés et la poser sur un support plan.
3. Si l'équipement suivant existe, procéder de plus à cette action :

VC 20-UM
VC 20-UME
VC 40-UM
VC 40-UME

- ▶ Sortir le sac à poussières de la cuve de récupération de saletés.

4. Si l'équipement suivant existe, procéder de plus à cette action :

VC 20-U
VC 20-UL
VC 40-UL

- ▶ Enlever le sac à poussières de la cuve de récupération de saletés ou saisir les poignées encastrées et renverser la cuve de récupération de saletés pour la vider.

5. Mettre la tête aspirante en place sur la cuve de récupération de saletés et fermer les deux brides de fermeture.

6.11 Vidage de la cuve de récupération de saletés sans sac à poussières (en cas d'aspiration de liquides)

1. Débrancher la fiche de la prise.
2. Soulever la tête aspirante de la cuve de récupération de saletés et la poser sur un support plan.
3. Saisir les poignées encastrées et renverser la cuve de récupération de saletés pour la vider.
4. Nettoyer le bord de la cuve de récupération de saletés avec un chiffon.



5. Mettre la tête aspirante en place sur la cuve de récupération de saletés et fermer les deux brides de fermeture.

7 Nettoyage, entretien, transport et entreposage

7.1 Entretien de l'appareil



AVERTISSEMENT

Danger d'électrocution ! Des réparations inappropriées de composants électriques peuvent entraîner de graves blessures corporelles par électrocution.

- ▶ Les réparations des composants électriques doivent exclusivement être effectuées par un électricien qualifié.
- ▶ **Tenir l'appareil, en particulier les surfaces de préhension, sec, propre et exempt d'huile et de graisse. Ne pas utiliser de nettoyants à base de silicone.**
- ▶ Ne jamais faire fonctionner l'aspirateur si ses ouïes d'aération sont bouchées ! Nettoyer soigneusement les ouïes d'aération à l'aide d'une brosse sèche. Éviter toute pénétration de corps étrangers à l'intérieur de l'appareil.
- ▶ Nettoyer régulièrement l'extérieur de l'appareil avec un chiffon légèrement humide. Pour nettoyer, ne pas utiliser d'appareil diffuseur, d'appareil à jet de vapeur ou d'eau courante, car cela pourrait nuire à la sécurité électrique de l'appareil.

VC 20-UL
VC 20-UM
VC 20-UME
VC 40-UL
VC 40-UM
VC 40-UME

Lors de l'entretien et du nettoyage, l'appareil doit être manipulé de sorte qu'il n'en résulte aucun danger pour le personnel effectuant l'entretien ou toute autre personne.

- ▶ Utiliser une ventilation forcée filtrée.
- ▶ Porter des vêtements de protection.
- ▶ Nettoyer la zone concernée en veillant à ce qu'aucune substance dangereuse ne pollue l'environnement.
- ▶ Avant de retirer l'appareil de la zone polluée par des matières dangereuses, aspirer l'extérieur de l'appareil, l'essuyer jusqu'à ce qu'il soit propre ou l'emballer de façon étanche. Ce faisant, veiller à ce que la poussière dangereuse déposée ne se répande pas.
- ▶ Lors de travaux d'entretien et de réparation, toutes les pièces qui n'ont pas pu être nettoyées de manière satisfaisante, doivent être emballées dans des sacs étanches avant d'être éliminées conformément aux prescriptions en vigueur.
- ▶ Faire contrôler l'appareil du point de vue de la poussière au moins une fois par an, par le S.A.V Hilti ou une personne compétente, pour vérifier notamment que le filtre n'est pas endommagé, que l'appareil est étanche à l'air et que les dispositifs de commande sont opérationnels.

7.2 Nettoyage de filtre automatique



Pour le nettoyage de la cartouche filtrante, veiller à ne pas la cogner contre des objets durs et ne pas intervenir dessus avec des objets durs ou pointus. Ceci raccourcirait la durée d'utilisation de la cartouche filtrante.

La cartouche filtrante ne doit pas être nettoyée avec un nettoyeur haute pression. Ceci risquerait de déchirer le matériau du filtre.

La cartouche filtrante est une pièce d'usure.

- ▶ Remplacer la cartouche filtrante au moins deux fois par an.
- ▶ Remplacer plus fréquemment la cartouche filtrante en cas d'utilisation intensive.

7.3 Remplacement de la cartouche filtrante 5

1. Débrancher la fiche de la prise.
2. Ouvrir les brides de fermeture pour couvercle de filtre.
3. Ouvrir le couvercle de filtre.



4. Enlever prudemment la cartouche filtrante en la saisissant par la poignée encastrée au dispositif de serrage.
5. Nettoyer les surfaces d'étanchéité avec un chiffon.
6. Insérer la nouvelle cartouche filtrante.
7. Fermer le couvercle de filtre en rabattant le dispositif d'arrêt du couvercle vers l'avant.
8. Fermer les brides de fermeture pour couvercle de filtre.

7.4 Contrôle du dispositif de surveillance de niveau

1. Pour assurer une bonne stabilité de l'aspirateur, utiliser les freins de roue.
2. Débrancher la fiche de la prise.
3. Ouvrir les deux brides de fermeture.
4. Soulever la tête aspirante de la cuve de récupération de saletés et la poser sur un support plan.
5. Vérifier que les contacts d'arrêt ne sont pas encrassés et, si nécessaire, les nettoyer avec une brosse.
6. Vérifier que le joint d'étanchéité sur la tête aspirante n'est pas encrassé et le nettoyer le cas échéant avec un chiffon.
7. Mettre la tête aspirante en place sur la cuve de récupération de saletés et fermer les deux brides de fermeture.

7.5 Contrôle après des travaux de nettoyage et d'entretien

1. Après tous travaux d'entretien et de remise en état, vérifier que l'aspirateur est correctement monté et qu'il fonctionne correctement.
2. Procéder à un test de fonctionnement.

7.6 Transport

Ne pas porter l'appareil à l'état plein.

Ne pas lever l'appareil au moyen d'un palan.

- ▶ Le cas échéant, enlever le Power Conditioner et retirer les outils détachés du dispositif de fixation d'accessoires.
- ▶ Vider l'appareil avant de le transporter à un autre endroit.
- ▶ Ne pas basculer l'appareil ni le transporter couché après avoir aspiré des liquides.
- ▶ Pour le transport, raccorder les deux extrémités de flexible ensemble à l'aide de l'adaptateur conique.

VC 20-UM
VC 20-UME
VC 40-UM
VC 40-UME



AVERTISSEMENT

Risque de blessures par des poussières nocives ! Il y a un risque que du matériau aspiré s'échappe par le raccord flexible.

- ▶ Pour le transport ou si l'aspirateur n'est pas utilisé, obturer le raccord d'admission avec le manchon d'obturation.

7.7 Stockage

- ▶ Déposer l'aspirateur dans un local sec, à l'abri de toute utilisation non autorisée.

8 Aide au dépannage

En cas de défaillances non énumérées dans ce tableau ou auxquelles il n'est pas possible de remédier sans aide, contacter le S.A.V. **Hilti**.




8.1 Aide au dépannage

Défaillance	Causes possibles	Solution
VC 20-UM VC 20-UME VC 40-UM VC 40-UME Bei UM- und UME-Saugern Signal d'avertissement acoustique (puissance d'aspiration réduite)	Le sac à poussières est plein.	<ul style="list-style-type: none"> ▶ Remplacer le sac à poussières en papier. → Page 27 ▶ Remplacer le sac à poussières en plastique. → Page 27
	La cartouche filtrante est très encrassée.	<ul style="list-style-type: none"> ▶ Si le nettoyage de filtre automatique est désactivé, l'activer et laisser l'aspirateur fonctionner pendant 30 secondes. ▶ Remplacer la cartouche filtrante. → Page 29
	Le flexible d'aspiration ou le collecteur de poussières de l'outil électroportatif est bouché.	▶ Nettoyer le flexible d'aspiration et le collecteur de poussières.
	Réglage du diamètre du flexible dans une position erronée.	▶ Régler le diamètre du flexible d'aspiration.
La poussière est soufflée hors de l'appareil.	La cartouche filtrante n'est pas montée correctement.	▶ Remonter la cartouche filtrante.
	La cartouche filtrante est endommagée.	▶ Monter une nouvelle cartouche filtrante.
L'appareil se met en marche et s'arrête de manière incontrôlée, ou l'utilisateur subit des décharges statiques.	La décharge électrostatique n'est pas assurée, l'appareil est raccordé à une prise non mise à la terre.	▶ Raccorder l'appareil à une source de courant mise à la terre, utiliser un flexible antistatique.
L'appareil ne se met pas en marche ou s'arrête après un bref démarrage.	La coupure d'eau a été déclenchée.	▶ Nettoyer les sondes et l'environnement des sondes avec une brosse.
Le moteur ne fonctionne plus.	Le fusible de la prise a réagi.	<ul style="list-style-type: none"> ▶ Armer le fusible. ▶ S'il réagit à nouveau, rechercher l'origine de la surintensité.
	Cuve de récupération de saletés pleine.	▶ Arrêter l'appareil et vider la cuve de récupération de saletés.
		▶ Vider la cuve de récupération de saletés. → Page 28
	Le fusible thermique du moteur a réagi.	<ul style="list-style-type: none"> ▶ Arrêter l'appareil et le laisser refroidir pendant 5 minutes. ▶ Si le moteur ne démarre pas, apporter l'appareil au S.A.V. Hilti.
Le fusible thermique du moteur coupe encore le moteur, parce que les ouïes d'aération sont encrassées.	▶ Les nettoyer avec précaution au moyen d'une brosse sèche.	
Le moteur ne marche pas en mode automatique.	L'appareil raccordé est défectueux ou n'est pas correctement branché.	▶ Vérifier le bon fonctionnement de l'appareil raccordé ou brancher fermement la fiche d'alimentation.
Le nettoyage automatique de la cartouche filtrante ne fonctionne pas.	Aucun flexible d'aspiration n'est raccordé.	▶ Raccorder le flexible d'aspiration.



9 Recyclage

Les produits  Hilti sont fabriqués pour une grande partie en matériaux recyclables. Le recyclage présuppose un tri adéquat des matériaux. Hilti reprend les appareils usagés dans de nombreux pays en vue de leur recyclage. Consulter le service clients Hilti ou un conseiller commercial.

Conformément à la directive européenne concernant les appareils électriques et électroniques anciens et sa transposition au niveau national, les appareils électriques usagés doivent être collectés séparément et recyclés de manière non polluante.



- ▶ Ne pas jeter les appareils électriques dans les ordures ménagères !
-

Boues de forage

En raison de la protection de l'environnement, les boues de forage ne doivent pas être versées dans les cours d'eau ou les canalisations sans prétraitement approprié.

- ▶ Veuillez vous renseigner auprès de votre administration locale sur les directives en vigueur en la matière.

Nous recommandons le prétraitement suivant :

- ▶ Collecter les boues de forage (par exemple au moyen d'un aspirateur de déchets liquides).
- ▶ Faire décanter les boues de forage et éliminer la partie sèche sur une décharge industrielle (le procédé peut être accéléré par des agents floculants).
- ▶ Avant de déverser l'eau résiduelle (basique, pH > 7) dans les canalisations, il convient de la neutraliser en ajoutant un neutralisant acide ou en la diluant avec beaucoup d'eau.

Poussière de forage

- ▶ La poussière de forage accumulée doit être éliminée conformément aux réglementations nationales existantes en vigueur.

10 China RoHS (directive relative à la limitation d'utilisation des substances dangereuses)

Vous trouverez sous les liens ci-dessous le tableau des substances dangereuses : r4635725 (VC 20) r4635725 et (VC 40).

Vous trouverez à la fin de la présente documentation un lien vers le tableau RoHS sous forme de code QR.

11 Garantie constructeur

- ▶ En cas de questions sur les conditions de garantie, veuillez vous adresser à votre partenaire Hilti local.

Oryginalna instrukcja obsługi

1 Informacje na temat instrukcji obsługi

1.1 Do niniejszej instrukcji obsługi

- Przed uruchomieniem urządzenia należy przeczytać instrukcję obsługi. Jest to warunek konieczny bezpiecznej pracy i bezawaryjnej obsługi.
- Należy zawsze stosować się do zasad bezpieczeństwa i ostrzeżeń zawartych w tej instrukcji i podanych na produkcie.
- Instrukcję obsługi zawsze przechowywać zawsze z produktem; produkt przekazywać innym użytkownikom wyłącznie z instrukcją obsługi.

1.2 Objaśnienie symboli

1.2.1 Ostrzeżenia

Wskazówki ostrzegawcze ostrzegają przed niebezpieczeństwem w obchodzeniu się z produktem. Zastosowano następujące hasła ostrzegawcze:



ZAGROŻENIE

ZAGROŻENIE !

- ▶ Wskazuje na bezpośrednie zagrożenie, które może prowadzić do ciężkich obrażeń ciała lub śmierci.

OSTRZEŻENIE

OSTRZEŻENIE !

- ▶ Wskazuje na ewentualne zagrożenie, które może prowadzić do ciężkich obrażeń ciała lub śmierci.

OSTROŻNIE

OSTROŻNIE !

- ▶ Wskazuje na potencjalnie niebezpieczną sytuację, która może prowadzić do obrażeń ciała lub szkód materialnych.

1.2.2 Symbole w dokumentacji

W naszych dokumentacjach zastosowano następujące symbole:

	Przed użyciem przeczytać instrukcję obsługi
	Ostrożnie
	Wskazówki dotyczące użytkowania i inne przydatne informacje
	Obchodzenie się z surowcami wtórnymi
	Nie wyrzucać elektronarzędzi ani akumulatorów do odpadów komunalnych

1.2.3 Symbole na rysunkach

Na naszych rysunkach zastosowano następujące symbole:

	Te liczby odnoszą się do rysunków zamieszczonych na początku niniejszej instrukcji
3	Liczby te oznaczają kolejność kroków roboczych na rysunku i mogą odbiegać od kroków roboczych opisanych w tekście
	Numerы pozycji zastosowane na rysunku Budowa urządzenia odnoszą się do numerów legendy w rozdziale Ogólna budowa urządzenia
	Na ten znak użytkownik powinien zwrócić szczególną uwagę podczas obsługiwanя produktu.

1.3 Symbole zależne od produktu

1.3.1 Symbole na produkcie

Na produkcie zastosowano następujące symbole:

	Ostrzeżenie przed gorącą powierzchnią
	Zakaz transportowania dźwigiem



1.4 Na urządzeniu

VC 20-UL
VC 40-UL



OSTRZEŻENIE: W urządzeniu znajdują się pyły szkodliwe dla zdrowia. Opróżniać i konserwować urządzenie, włącznie z utylizacją worka na pył, mogą wyłącznie fachowcy, posiadający odpowiednie wyposażenie ochronne. Nie włączać urządzenia, dopóki nie zostanie zainstalowany cały system filtracyjny.

VC 20-UM
VC 20-UME
VC 40-UM
VC 40-UME



OSTRZEŻENIE: W urządzeniu znajdują się pyły szkodliwe dla zdrowia. Opróżniać i konserwować urządzenie, włącznie z utylizacją worka na pył, mogą wyłącznie fachowcy, posiadający odpowiednie wyposażenie ochronne. Nie włączać urządzenia, dopóki nie zostanie zainstalowany cały system filtracyjny i sprawdzona funkcja kontroli strumienia objętości zasysanego powietrza.

1.5 Informacje o produkcji

Produkty **Hilti** przeznaczone są do użytku profesjonalnego i mogą być eksploatowane, konserwowane i utrzymywane we właściwym stanie technicznym wyłącznie przez autoryzowany, przeszkolony personel. Personel ten musi być przede wszystkim poinformowany o możliwych zagrożeniach. Produkt i jego wyposażenie mogą stanowić zagrożenie w przypadku użycia przez niewykwalifikowany personel w sposób niewłaściwy lub niezgodny z przeznaczeniem.

Oznaczenie typu i numer seryjny umieszczone są na tabliczce znamionowej.

- Numer seryjny należy przepisać do poniższej tabeli. Dane o produkcie należy podawać w przypadku pytań do naszego przedstawicielstwa lub serwisu.

Dane o produkcie → Strona 34

Dane o produkcie

Odkurzacz do pracy na mokro i sucho	VC 20-U VC 20-UL VC 20-UM VC 20-UME VC 40-U VC 40-UL VC 40-UM VC 40-UME
Generacja	02
Nr seryjny	

1.6 Deklaracja zgodności

Deklarujemy z pełną odpowiedzialnością, że opisany tutaj produkt jest zgodny z obowiązującymi wytycznymi i normami. Kopia deklaracji zgodności znajduje się na końcu niniejszej dokumentacji.

Techniczna dokumentacja zapisana jest tutaj:

Hilti Entwicklungsgesellschaft mbH | Zulassung Geräte | Hiltistraße 6 | 86916 Kaufering, DE



2 Bezpieczeństwo

2.1 Wskazówki dotyczące bezpieczeństwa

2.1.1 Ogólne wskazówki bezpieczeństwa

Oprócz wskazówek bezpieczeństwa w poszczególnych rozdziałach tej instrukcji obsługi należy zawsze dokładnie przestrzegać poniższych uwag.

- ▶ **Należy przeczytać wszystkie wskazówki!** Nieprzestrzeganie poniższych wskazówek może prowadzić do porażenia prądem, pożaru i/lub ciężkich obrażeń ciała.
- ▶ **Przed użyciem urządzenia w połączeniu z elektronarzędziem należy przeczytać instrukcję obsługi elektronarzędzia i przestrzegać wszystkich zawartych w niej wskazówek.**
- ▶ **Dokonywanie modyfikacji i zmian w urządzeniu jest zabronione.**
- ▶ **Stosować odpowiednie urządzenie.** Nie stosować urządzenia do celów, do których nie jest przeznaczone, lecz używać je zgodnie z przeznaczeniem i utrzymywać w dobrym stanie technicznym.
- ▶ **Osoby używające urządzenia powinny przed przystąpieniem do pracy zapoznać się z jego obsługą, zagrożeniami, jakie może spowodować odsysany materiał oraz z utylizacją zebranego materiału.**
- ▶ **Należy uwzględnić wpływ otoczenia.** Nie używać urządzenia tam, gdzie istnieje niebezpieczeństwo pożaru lub eksplozji.
- ▶ **Urządzenie może być obsługiwane wyłącznie przez osoby, które potrafią się z nim prawidłowo obchodzić, zostały pouczone o bezpiecznej obsłudze i rozumieją wynikające z użytkowania niebezpieczeństwo.** Urządzenie nie może być obsługiwane przez dzieci.
- ▶ **Nieużywane urządzenia przechowywać w bezpiecznym miejscu.** Nieużywane urządzenie należy przechowywać w suchym, wysoko położonym lub zamkniętym miejscu, niedostępnym dla dzieci.

2.1.2 Bezpieczeństwo osób

- ▶ **Należy być czujnym, uważać na to, co się robi i do pracy przy użyciu urządzenia przystępować z rozwagą.** Nie używać odkurzacza będąc zmęczonym lub znajdując się pod wpływem narkotyków, alkoholu lub lekarstw. Chwila nieuwagi podczas eksploatacji urządzenia może prowadzić do poważnych obrażeń ciała.
- ▶ **Użytkownik i osoby znajdujące się w pobliżu podczas eksploatacji lub konserwacji urządzenia muszą nosić odpowiednie okulary ochronne, kask ochronny, ochraniacze słuchu, rękawice ochronne, buty ochronne i lekką maskę przeciwpyłową.**
- ▶ **Zablokować kółka hamulcami w celu stabilnego ustawienia odkurzacza.** Przy odblokowanych kółkach może dojść do niekontrolowanego przemieszczania się odkurzacza.
- ▶ **Jeśli możliwe jest zamontowanie urządzeń odsysających lub wyłapujących, upewnić się, czy są one właściwie podłączone i prawidłowo użytkowane.** Stosowanie systemów odsysania zmniejsza zagrożenie spowodowane rozprzestrzenianiem się pyłów.

2.1.3 Prawidłowe obchodzenie się z urządzeniem

- ▶ **Nie pozostawiać urządzenia bez nadzoru.**
- ▶ **Podczas odsysania niebezpiecznych pyłów nie wyłączać systemu czyszczenia filtra, zwłaszcza w przypadku pracy z elektronarzędziem, przy użyciu którego powstaje dużo pyłu.**
- ▶ **Chronić urządzenie przed mrozem.**
- ▶ **Należy regularnie czyścić szczotką, zgodnie ze wskazówkami, i kontrolować pod kątem uszkodzeń mechanizm ograniczenia poziomu wody.**
- ▶ **Podczas nasadzania głowicy ssącej uważać, aby nie przyciąć sobie palców oraz nie uszkodzić przewodu zasilającego.** Istnieje niebezpieczeństwo zranienia ciała i uszkodzenia urządzenia.
- ▶ **Sprawdzić urządzenie i wyposażenie pod kątem ewentualnych uszkodzeń.** Przed dalszym użytkowaniem urządzenia należy starannie sprawdzić, czy urządzenia zabezpieczające lub lekko uszkodzone części działają nienagannie i zgodnie z przeznaczeniem. Sprawdzić, czy ruchome części pracują bez zarzutu i czy nie zacinają się, lub czy jakieś części nie są uszkodzone. Wszystkie części powinny być właściwie zamontowane i spełniać wszelkie warunki gwarantujące prawidłową eksploatację urządzenia.
- ▶ **Naprawę urządzenia zlecać wyłącznie wykwalifikowanemu personelowi, stosującemu tylko oryginalne części zamienne.** Gwarantuje to zachowanie bezpieczeństwa urządzenia.
- ▶ **Gdy urządzenie nie jest eksploatowane (podczas przerw w pracy), przed rozpoczęciem prac konserwacyjnych, wymianą wyposażenia lub filtra, zawsze wyjmować wtyczkę sieciową z gniazda.** Ten środek ostrożności zapobiega niezamierzonemu włączeniu urządzenia.
- ▶ **Nigdy nie ciągnąć za przewód sieciowy, aby zmienić położenie robocze odkurzacza.** Nie przejeżdżać odkurzaczem przez przewód sieciowy.



- ▶ Do transportu urządzenia nie używać dźwigu.

VC 20-UM
VC 20-UME
VC 40-UM
VC 40-UME

- ▶ Podczas transportu oraz w okresie, gdy urządzenie nie jest używane, należy zatkać króciec wlotowy korkiem.

2.1.4 Bezpieczeństwo elektryczne

- ▶ Wtyczka urządzenia musi pasować do gniazda. W żadnym wypadku nie wolno modyfikować wtyczki. Nie należy używać trójników w połączeniu z uziemionymi narzędziami. Oryginalne wtyczki i pasujące gniazda zmniejszają ryzyko porażenia prądem.
- ▶ Włożyć wtyczkę do odpowiedniego, uziemionego gniazda, zainstalowanego zgodnie z lokalnymi przepisami. W razie wątpliwości, czy gniazdo jest prawidłowo uziemione, należy zlecić sprawdzenie uziemienia wykwalifikowanemu elektrykowi.
- ▶ Należy unikać kontaktu z uziemionymi powierzchniami, jak rury, grzejniki, piece i lodówki. W przypadku kontaktu z uziemieniem istnieje zwiększone ryzyko porażenia prądem.
- ▶ Urządzenie należy chronić przed deszczem i wilgocią. Wnikanie wody do elektronarzędzia zwiększa ryzyko porażenia prądem.
- ▶ Upewnić się, że przewód zasilający nie leży w kałuży.
- ▶ Regularnie kontrolować przewód zasilający urządzenia i – w razie stwierdzenia jego uszkodzenia – oddać do wymiany w serwisie Hilti. Kontrolować regularnie przedłużacze i w razie uszkodzenia wymieniać je na nowe.
- ▶ Jeśli podczas pracy uszkodzony zostanie przewód sieciowy i/lub przedłużacz, nie wolno ich dotykać. Wyciągnąć wtyczkę sieciową z gniazda. Uszkodzone przewody przyłączeniowe oraz przedłużacze mogą stwarzać ryzyko porażenia prądem.
- ▶ Przewód przyłączeniowy można wymienić wyłącznie na przewód o parametrach podanych w instrukcji obsługi.
- ▶ Nigdy nie używać przewodu niezgodnie z przeznaczeniem, np. do przenoszenia urządzenia, zawieszania lub do wyciągania wtyczki z gniazda. Przewód należy chronić przed wpływem wysokich temperatur, oleju, ostrych krawędzi lub ruchomymi częściami urządzenia. Uszkodzone lub poplątane przewody zwiększają ryzyko porażenia prądem.
- ▶ W przypadku wykonywania elektronarzędziem prac na świeżym powietrzu należy zastosować przedłużacz przystosowany do używania na zewnątrz. Zastosowanie przedłużacza przystosowanego do używania na zewnątrz zmniejsza ryzyko porażenia prądem.
- ▶ W przypadku przerwy w zasilaniu należy wyłączyć urządzenie i wyciągnąć wtyczkę z gniazda.
- ▶ Gniazda zasilającego na urządzeniu używać wyłącznie do celów opisanych w niniejszej instrukcji obsługi.
- ▶ Nigdy nie używać zabrudzonego lub zamoczonego urządzenia. Osadzający się na powierzchni urządzenia pył, w szczególności od zwiercien materiałów przewodzących, jak również wilgoć mogą przy niekorzystnych warunkach prowadzić do porażenia prądem elektrycznym. Dlatego, zwłaszcza w przypadku częstej obróbki materiałów przewodzących, należy zabrudzone urządzenia regularnie oddawać do kontroli w serwisie Hilti.

2.1.5 Miejsce pracy

- ▶ Zadbać o dobre oświetlenie stanowiska pracy.
- ▶ Zadbać o dobrą wentylację stanowiska pracy. Nieprawidłowa wentylacja stanowiska pracy może spowodować zagrożenie dla zdrowia wskutek nadmiernego zapylenia.
- ▶ Należy utrzymywać porządek na swoim stanowisku pracy. Zadbać o to, aby w strefie roboczej nie znajdowały się żadne przedmioty, o które można się skaleczyć. Nieporządek na stanowisku pracy może spowodować wypadek.
- ▶ Przy użyciu tego urządzenia nie należy pracować w otoczeniu zagrożonym wybuchem, w którym znajdują się np. łatwopalne ciecze, gazy lub pyły. Elektronarzędzia wytwarzają iskry, które mogą prowadzić do zapłonu pyłów lub oparów.
- ▶ Podczas pracy na schodach należy zachować szczególną ostrożność.

2.1.6 Zbierane zanieczyszczenia

- ▶ Zabrania się zbierania pyłów szkodliwych dla zdrowia, palnych i/lub wybuchowych (np. pyłu magnezowo-aluminiowego itp.). Zabrania się zbierania materiałów, których temperatura przekracza 60°C (np. żarzących się papierosów, rozgrzanego popiołu).



- ▶ Zabrania się odsysania palnych, wybuchowych i agresywnych cieczy (np. środków chłodzących i smarów, benzyny, rozpuszczalników, kwasów (pH < 5), zasad (pH > 12,5) itp.).
- ▶ W przypadku wyciekania piany lub cieczy natychmiast wyłączyć urządzenie.
- ▶ Podczas zbierania gorących substancji, maksymalnie do 60°C, nosić rękawice ochronne.
- ▶ Podczas pracy z użyciem mineralnej płuczki wiertniczej nosić odzież ochronną i unikać kontaktu płuczki ze skórą (pH > 9, działanie żrące).
- ▶ Unikać styczności z cieczami zasadowymi lub kwaśnymi. W razie przypadkowego kontaktu narażone części ciała obmyć wodą. W przypadku przedostania się elektrolitu do oczu, przemyć je obficie wodą i skonsultować się z lekarzem.

VC 20-UL
VC 40-UL

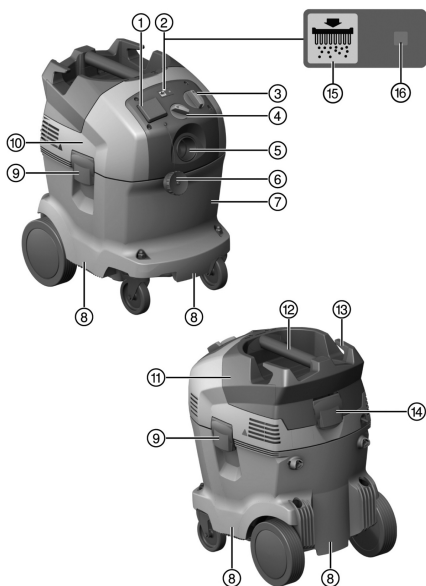
- ▶ Urządzenie klasy pylenia L nadaje się zbierania/odsysania suchych, niepalnych pyłów, wiórów drewnianych i pyłów niebezpiecznych o wartościach granicznych ekspozycji > 1 mg/m³. **W zależności od stopnia zagrożenia zbieranych/odsysanych pyłów, urządzenie należy wyposażyć w odpowiednie filtry.**

VC 20-UM
VC 20-UME
VC 40-UM
VC 40-UME

- ▶ Urządzenie klasy pylenia M nadaje się zbierania/odsysania suchych, niepalnych pyłów, wiórów drewnianych i pyłów niebezpiecznych o wartościach granicznych ekspozycji $\geq 0,1$ mg/m³. **W zależności od stopnia zagrożenia zbieranych/odsysanych pyłów, urządzenie należy wyposażyć w odpowiednie filtry.**

3 Opis

3.1 Ogólna budowa urządzenia



- ① Gniazdo zasilające na urządzeniu VC 20/40-UME, opcjonalnie do VC 20/40-U i VC 20/40-UL
- ② Automatykne czyszczenie filtra
- ③ Wyłącznik główny
- ④ Regulacja średnicy węża (VC 20-UM LUB VC 20-UME LUB VC 40-UM LUB VC 40-UME)
- ⑤ Króciec wlotowy
- ⑥ Korek do króćca wlotowego (VC 20-UM LUB VC 20-UME LUB VC 40-UM LUB VC 40-UME)
- ⑦ Zbiornik
- ⑧ Wgłębienie uchwytowe
- ⑨ Zaczep zatraskowy
- ⑩ Głowica ssąca
- ⑪ Osłona filtra
- ⑫ Uchwyt
- ⑬ Zaczep na przewód
- ⑭ Zaczep zatraskowy osłony filtra
- ⑮ Przycisk "Czyszczenie filtra WŁ./WYŁ."
- ⑯ Wskaźnik stanu "Automatyczne czyszczenie filtra"

3.2 Użytkowanie zgodne z przeznaczeniem

Zastosowane tutaj produkty to uniwersalne odkurzacze przemysłowe przeznaczone do użytku komercyjnego. Przeznaczone są do odkurzania na sucho i na mokro.

Hilti Produkty przeznaczone są do użytku profesjonalnego i mogą być eksploatowane, konserwowane i utrzymywane we właściwym stanie technicznym wyłącznie przez autoryzowany, przeszkolony personel.



Produkt i jego wyposażenie mogą stanowić zagrożenie w przypadku użycia przez niewykwalifikowany personel w sposób niewłaściwy lub niezgodny z przeznaczeniem.

Nie wolno stosować urządzenia do odkurzania ludzi i zwierząt. Używanie odkurzacza pod wodą jest zabronione.

- ▶ Osoby używające urządzenia powinny przed przystąpieniem do pracy zapoznać się z jego obsługą, zagrożeniami, jakie może spowodować odsysany materiał oraz z bezpieczną utylizacją zebranego materiału.
- ▶ Produkt nie jest przystosowany do pracy ciągłej w instalacjach automatycznych lub półautomatycznych.
- ▶ Aby uniknąć niebezpieczeństwa obrażeń ciała, stosować wyłącznie oryginalne wyposażenie i części zamienne **Hilti**.
- ▶ W celu uniknięcia efektu elektrostatycznego należy używać antystatycznego węża ssącego.
- ▶ Nie zbierać materiałów, o które można się skaleczyć przez worek na pył (np. odpadów szpiczastych lub o ostrych krawędziach).
- ▶ Nie wykorzystywać produktu jako drabiny i nie wchodzić na niego.

Ten przeznaczony do użytku komercyjnego produkt nadaje się do następujących zastosowań:

- Odsysanie dużej ilości pyłu podczas eksploatacji szlifierek diamentowych, przecinarek, młotowiertarek i koronek wiertniczych do wiercenia na sucho firmy **Hilti**.
- Zbieranie mineralnej płuczki wiertniczej podczas eksploatacji diamentowych koronek wiertniczych **Hilti** lub pił diamentowych **Hilti** oraz zbieranie cieczy o temperaturze < 60°C (140°F).
- Zbieranie oleju i cieczy o temperaturze < 60°C (140°F).
- Czyszczenie na mokro i na sucho powierzchni ściennych i podłogowych

Dodatkowe zastosowanie poszczególnych typów urządzenia:

VC 20-UL

VC 40-UL

Ten produkt przeznaczony jest do następujących zastosowań:

- Odsysanie suchych, niepalnych pyłów, cieczy, wiórów drewnianych i pyłów niebezpiecznych o maksymalnych wartościach granicznych ekspozycji > 1 mg/m³ (klasa pylenia L).

VC 20-UM

VC 20-UME

VC 40-UM

VC 40-UME

Ten produkt przeznaczony jest do następujących zastosowań:

- Odsysanie suchych, niepalnych pyłów, cieczy, wiórów drewnianych i pyłów niebezpiecznych o maksymalnych wartościach granicznych ekspozycji > 0,1 mg/m³ (klasa pylenia M).



Podczas zbierania pyłów o wartościach granicznych ekspozycji należy zapewnić odpowiednią wentylację pomieszczenia, jeśli wydmuchiwane z urządzenia powietrze nie jest odprowadzane na zewnątrz.

Do zbierania substancji szkodliwych dla zdrowia zdefiniowanych w IEC 60335-2-69 (klasa L/M) można używać wyłącznie odpowiedniego odkurzacza. Zbieranie innych substancji szkodliwych dla zdrowia jest zabronione.

Zbieranie oleju i cieczy o temperaturze $\geq 60^{\circ}\text{C}$ (140°F) jest zabronione.

3.3 Możliwe nieprawidłowości w eksploatacji

- Podczas eksploatacji odkurzacz przemysłowy nie może leżeć.
- Odkurzacz przemysłowego nie wolno używać do zbierania substancji wybuchowych, materiałów żarzących się, palących lub łatwopalnych oraz agresywnych pyłów (np. pyłu magnezowo-aluminiowego itp.) (wyjątek: wióry drewniane).
- Odkurzacz przemysłowego nie wolno używać do zbierania palnych substancji płynnych (np. benzyny, rozpuszczalników, kwasów, środków chłodzących, smarów itp.).
- Nie wolno obrabiać materiałów zagrażających zdrowiu (np. azbestu).

3.4 Zakres dostawy

Odkurzacz do pracy na sucho i mokro z filtrem, wężem ssącym w komplecie ze złączką obrotową (po stronie odkurzacza) i końcówką narzędziową, plastikowym workiem na pył PE VC 20/40, instrukcją obsługi.





W celu bezpiecznej pracy stosować wyłącznie oryginalne części zamienne i materiały eksploatacyjne. Dopuszczone przez nas części zamienne, materiały eksploatacyjne i wyposażenie odpowiednie do danego typu urządzenia dostępne są w lokalnym centrum **Hilti** lub pod adresem: **www.hilti.group**

3.5 Regulacja średnicy węża

VC 20-UM
VC 20-UME
VC 40-UM
VC 40-UME

Aby prawidłowo zadziałał akustyczny sygnał ostrzegawczy, należy ustawić średnicę zastosowanego węża ssącego za pomocą regulacji średnicy węża.

3.6 Akustyczny sygnał ostrzegawczy

VC 20-UM
VC 20-UME
VC 40-UM
VC 40-UME

Jeśli prędkość powietrza przepływającego przez wąż ssący spadnie poniżej 20 m/s, wówczas ze względów bezpieczeństwa załączy się akustyczny sygnał ostrzegawczy.

3.7 Automatyczne czyszczenie filtra

Odkurzacz wyposażony jest w automatyczny system czyszczenia filtra, który w znacznej mierze oczyszcza filtr z przywierającego pyłu.

System czyszczenia filtra można wyłączyć naciskając przycisk "Automatyczne czyszczenie filtra WŁ./WYŁ." i znowu włączyć, ponownie naciskając przycisk.

Stan	Znaczenie
Świeci się dioda LED.	System czyszczenia filtra jest aktywowany.
Nie świeci się dioda LED.	System czyszczenia filtra jest dezaktywowany.

Za każdym razem podczas włączania odkurzacza system czyszczenia filtra jest automatycznie aktywowany. Filtr zostanie automatycznie oczyszczony przez uderzenie strumienia powietrza (pulsujący odgłos).



W przypadku intensywnego użytkowania (zwłaszcza podczas szlifowania, cięcia i wykonywania bruzd) lub podczas zasysania większych ilości pyłu system czyszczenia filtra musi być aktywowany, aby umożliwić stałą wysoką siłę ssania.

System czyszczenia filtra funkcjonuje wyłącznie wówczas, gdy podłączony jest wąż ssący.

3.8 Wskazówki dotyczące użytkowania

Wyposażenie i jego zastosowanie

Akcesoria	Zastosowanie
Plastikowy worek na pył PE VC 20 (203854)	Do stosowania przy pracach w podłogach mineralnych, na mokro i sucho
Plastikowy worek na pył PE VC 40 (203852)	Do stosowania przy pracach w podłogach mineralnych, na mokro i sucho
Papierowy worek na pył VC 20 (203858)	Do stosowania przy pracach w podłogach drewnianych
Papierowy worek na pył VC 40 (203856)	Do stosowania przy pracach w podłogach drewnianych
Filtr VC 20/40 suchy (2121386)	Na sucho
Filtr VC 20/40 uniwersalny (2121387)	Uniwersalny na mokro i sucho
Filtr VC 20/40 o wysokiej wydajności (2121388)	Używanie intensywne na mokro i sucho
Wąż ssący 27 x 3,5 m AS	Na mokro i sucho



Akcesoria	Zastosowanie
Wąż ssący 36 mm	Przeważnie na mokro, nie nadaje się do odsysania pyłu
Wąż ssący 36 x 5 m AS	Na mokro i sucho

VC 20-UM
VC 20-UME
VC 40-UM
VC 40-UME

- ▶ Koniecznie stosować plastikowy lub papierowy worek na pył.

4 Dane techniczne

	VC 20	VC 40
Częstotliwość sieci	50 Hz ... 60 Hz	50 Hz ... 60 Hz
Ciężar zgodny z procedurą EPTA 01/2003	13 kg	14,7 kg
Wymiary	530 mm x 380 mm x 490 mm	510 mm x 380 mm x 610 mm
Pojemność zbiornika	21 ℓ	36 ℓ
Pojemność użytkowa worka na pył	23 kg	40 kg
Maksymalna objętość zbieranej wody	13,5 ℓ	25 ℓ
Temperatura robocza	-10 °C ... 40 °C do zastosowań na sucho	-10 °C ... 40 °C do zastosowań na sucho
Automatyczne czyszczenie filtra	15 s	15 s
Klasa ochrony	I	I
Klasa ochrony	IP X4	IP X4

4.1 Napięcie znamionowe

i W przypadku podłączenia urządzenia do prądnicy lub transformatora ich moc wtórna musi być przynajmniej dwa razy większa od podanego na tabliczce znamionowej znamionowego poboru mocy urządzenia. Napięcie robocze transformatora lub prądnicy musi przez cały czas mieścić się w granicach od +5% do -15% napięcia znamionowego urządzenia.

Napięcie znamionowe	100 V	110 V	110 V	200 V
Znamionowy pobór mocy	1200 W	1200 W	1100 W	950 W
Moc przyłączeniowa wbudowanego gniazda zasilającego do elektro-narzędzi (opcjonalnie)		1600 W		
Przewód przyłączeniowy (typ)	VCTF 3 x 2,0 mm ²	A07 QQ-F 3 / 12 AWG	H07 BQ-F 3G 1,5 mm ²	VCTF 3 x 2,0 mm ²
Napięcie znamionowe	220-240 V	220-240 V (CH)	220-240 V (GB)	240 V (NZ)
Znamionowy pobór mocy	1200 W	1200 W	1200 W	1200 W
Moc przyłączeniowa wbudowanego gniazda zasilającego do elektro-narzędzi (opcjonalnie)	2400 W	1100 W	1800 W	1200 W
Przewód przyłączeniowy (typ)	H07 RN-F 3G 1,5 mm ²	H07 RN-F 3G 1,5 mm ²	H07 RN-F 3G 1,5 mm ²	H07 RN-F 3G 1,5 mm ²



4.2 Maksymalny strumień objętości powietrza i maksymalne podciśnienie

		VC 20-UL	VC 40-UL	VC 20-UM	VC 20-UME
Maksymalny strumień objętości (powietrza)	1100 W	135 m ³ /h	135 m ³ /h	135 m ³ /h	135 m ³ /h
	1200 W	145 m ³ /h	145 m ³ /h	145 m ³ /h	145 m ³ /h
Maksymalne podciśnienie	1100 W	22,0 kPa	22,0 kPa	22,0 kPa	•/•
	1200 W	25,3 kPa	25,3 kPa	25,3 kPa	25,3 kPa

		VC 40-UM	VC 40-UME
Maksymalny strumień objętości (powietrza)	1100 W	135 m ³ /h	135 m ³ /h
	1200 W	145 m ³ /h	145 m ³ /h
Maksymalne podciśnienie	1100 W	22,0 kPa	22,0 kPa
	1200 W	25,3 kPa	25,3 kPa

4.3 Informacje o hałasie i wibracjach (pomiar według EN 60335-2-69)

Poniższe dane dotyczą wszystkich odkurzaczy przemysłowych VC 20 i VC 40.

Poziom emitowanego ciśnienia akustycznego (L_{pA})	71 dB(A)
Nieoznaczoność poziomu ciśnienia akustycznego (K_{pA})	2,5 dB(A)
Wartość emisji wibracji	< 2,5 m/s ²
Nieoznaczoność (K)	Jest uwzględniona w wartości emisji wibracji

5 Uruchomienie

OSTROŻNIE

Niebezpieczeństwo obrażeń ciała w wyniku niekontrolowanego przemieszczania się odkurzacza! Przy odblokowanych kółkach może dojść do niekontrolowanego przemieszczania się odkurzacza.

- ▶ Zablokować kółka hamulcami w celu stabilnego ustawienia odkurzacza.

5.1 Pierwsze uruchomienie

1. Otworzyć obydwa zaczepy zatraskowe.
2. Unieść głowicę ssącą znad zbiornika.
3. Wyjąć akcesoria ze zbiornika i z opakowania.
4. Włożyć odpowiedni worek na pył zgodnie z instrukcją.



Do odsysania pyłów o wartościach granicznych eksplozji > 1 mg/m³ stosować akcesoria klasy L lub M: plastikowy worek na pył do odsysania pyłów mineralnych lub papierowy worek na pył do zbierania wiórów drewnianych.

Do odsysania pyłów o wartościach granicznych eksplozji ≥ 0,1 mg/m³ stosować akcesoria klasy M: plastikowy worek na pył do odsysania pyłów mineralnych lub papierowy worek na pył do zbierania wiórów drewnianych.

Do zbierania pyłów niezagrażających zdrowiu: plastikowy worek na pył.

5. Nałożyć głowicę ssącą na zbiornik i zamknąć obydwa zaczepy zatraskowe.
6. Upewnić się, że głowica ssąca została prawidłowo zamocowana i zablokowana.
7. Przyłączyć wąż ssący do urządzenia.



5.2 Wkładanie papierowego worka na pył do zbierania wiórów drewnianych 2

1. Otworzyć obydwie zaczepty zatraskowe.
2. Unieść głowicę ssącą znad zbiornika.
3. Włożyć nowy papierowy worek na pył w adapter i umieścić na zbiorniku.
4. Nałożyć głowicę ssącą na zbiornik.
5. Zamknąć obydwie zaczepty zatraskowe.
6. Upewnić się, że głowica ssąca została prawidłowo zamocowana i zablokowana.
7. Przyłączyć wąż ssący do urządzenia.

5.3 Wkładanie plastikowego worka na pył 3

1. Otworzyć obydwie zaczepty zatraskowe.
2. Unieść głowicę ssącą znad zbiornika.
3. Umieścić w zbiorniku nowy plastikowy worek na pył (instrukcja na urządzeniu).
4. Nałożyć głowicę ssącą na zbiornik i zamknąć obydwie zaczepty zatraskowe.

6 Obsługa

ZAGROŻENIE

Zagrożenie przez prąd elektryczny. Nieprawidłowe podłączenie odkurzacza może prowadzić do śmierci lub ciężkich obrażeń ciała.

- ▶ Odkurzacze podłączać wyłącznie do prawidłowo uziemionego źródła prądu.

OSTRZEŻENIE

Niebezpieczeństwo obrażeń ciała. W wyniku uszkodzenia systemu filtrującego może wydostawać się szkodliwy dla zdrowia pył.

- ▶ W nagłym przypadku (np. pęknięcie filtra) wyłączyć odkurzacze, wyciągnąć wtyczkę z gniazda i oddać odkurzacze do kontroli przez fachowca, zanim odkurzacze zostaną ponownie użyte.

OSTROŻNIE

Niebezpieczeństwo obrażeń ciała w wyniku niekontrolowanego przemieszczania się odkurzacza! Przy odblokowanych kółkach może dojść do niekontrolowanego przemieszczania się odkurzacza.

- ▶ Zablokować kółka hamulcami w celu stabilnego ustawienia odkurzacza.

6.1 Stosowanie odkurzaczy klasy L lub M

VC 20-UL
VC 20-UM
VC 20-UME
VC 40-UL
VC 40-UM
VC 40-UME

ZAGROŻENIE

Niebezpieczeństwo obrażeń ciała. W przypadku odkurzaczy klasy L, M i H odkurzacze zawierają szkodliwy dla zdrowia pył.

- ▶ Opróżnianie i konserwację urządzenia, włącznie z utylizacją zbiorników na pył, mogą przeprowadzić wyłącznie fachowcy. Nosić odpowiednie wyposażenie ochronne.
- ▶ Przed usunięciem odkurzacza z obszaru ze szkodliwymi dla zdrowia substancjami, odkurzacze należy z zewnątrz odkurzyć, wytrzeć lub szczelnie zapakować. Ponieważ wszystkie elementy urządzenia, które używane były w obszarze z substancjami szkodliwymi dla zdrowia lub zagrażającymi środowisku naturalnemu, traktuje się jako zanieczyszczone, należy zastosować odpowiednie środki bezpieczeństwa, aby zapobiec rozprzestrzenianiu się pyłu.
- ▶ Nigdy nie używać urządzenia bez kompletnego systemu filtracyjnego.



6.2 Ustawianie średnicy węża

VC 20-UM
VC 20-UME
VC 40-UM
VC 40-UME

1. W celu zbierania/odsysania suchych, niepalnych pyłów z wartościami granicznymi ekspozycji oraz wiórów drewnianych należy ustawić włącznik do ustawiania średnicy węża odpowiednio do średnicy węża ssącego → Strona 39.
2. W przypadku eksploatacji odkurzacza z systemem wiertel rurowych **Hilti** należy ustawić najmniejszą średnicę węża.

6.3 Praca bez korzystania z gniazda zasilającego na urządzeniu

1. Przed włożeniem wtyczki do gniazda upewnić się, że wyłącznik główny ustawiony jest na "WYŁ.".
2. Włożyć wtyczkę sieciową odkurzacza do gniazda.
3. Obrócić wyłącznik główny na pozycję "WŁ".

6.4 Korzystanie z gniazda zasilającego na urządzeniu

Gniazdo zasilające na urządzeniu przeznaczone jest wyłącznie do bezpośredniego podłączenia elektronarzędzia do odkurzacza.

Jeśli do gniazda zasilającego na urządzeniu podłączone jest jakieś elektronarzędzie, należy przestrzegać instrukcji obsługi tego elektronarzędzia oraz zawartych w niej przepisów bezpieczeństwa.

1. Wyciągnąć wtyczkę sieciową odkurzacza z gniazda.
2. Sprawdzić, czy maksymalny pobór mocy podłączonego elektronarzędzia nie przekracza dopuszczalnej maksymalnej mocy gniazda zasilającego na urządzeniu, patrz rozdział "Dane techniczne" i nadruk na gnieździe zasilającym.
3. Przed włożeniem wtyczki elektronarzędzia do gniazda upewnić się, że elektronarzędzie jest wyłączone.
4. Włożyć wtyczkę elektronarzędzia do gniazda zasilającego na urządzeniu.
5. Włożyć wtyczkę sieciową odkurzacza do gniazda.
6. Obróć wyłącznik główny w pozycję "Auto".
7. Włączyć elektronarzędzie.

Po wyłączeniu elektronarzędzia odkurzacz jeszcze przez chwilę będzie pracował, do całkowitego odessania pyłu znajdującego się w wężu ssącym.

6.5 Zbieranie suchego pyłu

Przed przystąpieniem do odsysania suchego pyłu, zwłaszcza pyłu mineralnego, należy zawsze pamiętać o włożeniu odpowiedniego worka na pył do zbiornika. Dzięki temu zebrany materiał można w prosty sposób wyrzucić, nie powodując pylenia.

OSTROŻNIE

Niebezpieczeństwo obrażeń spowodowanych szkodliwymi pyłami! Jeśli nie zostanie zastosowany filtr, mogą wydostawać się niebezpieczne zassane przez odkurzacz substancje.

- ▶ Używać odkurzacza tylko z włożonym wkładem filtra.
- ▶ Należy zadbać o to, aby filtr był suchy, a włożony worek na pył odpowiedni.

6.6 Wymiana papierowego worka na pył

ZAGROŻENIE

Niebezpieczeństwo obrażeń ciała. Szpiczaste przedmioty mogą przebić worek na pył.

- ▶ Upewnić się, że żadne przedmioty, nie przebiły worka.

1. Wyciągnąć wtyczkę sieciową z gniazda.
2. Otworzyć obydwa zaczepy zatraskowe.



3. Unieść głowicę ssącą znad zbiornika.
4. W przypadku papierowego worka na pył ostrożnie odłączyć tuleję worka od adaptera.
5. Tuleję worka na pył zamknąć za pomocą suwaka.
6. Wyczyścić zbiornik ściereczką.
7. Do zbiornika włożyć nowy papierowy worek na pył.
8. Nałożyć głowicę ssącą na zbiornik i zamknąć obydwa zaczepy zatrzaskowe.

6.7 Wymiana plastikowego worka na pył

1. Wyciągnąć wtyczkę sieciową z gniazda.
2. Otworzyć obydwa zaczepy zatrzaskowe.
3. Unieść głowicę ssącą znad zbiornika.
4. Zamknąć plastikowy worek na pył za pomocą taśmy zaciskowej poniżej otworów.
5. Wyjąć plastikowy worek na pył.
6. Wyczyścić zbiornik ściereczką.
7. Umieścić w zbiorniku nowy plastikowy worek na pył (instrukcja na urządzeniu).
8. Nałożyć głowicę ssącą na zbiornik i zamknąć obydwa zaczepy zatrzaskowe.

6.8 Zbieranie cieczy

OSTROŻNIE

Niebezpieczeństwo obrażeń spowodowanych szkodliwymi pyłami! Jeśli nie zostanie zastosowany filtr, mogą wydostawać się niebezpieczne zassane przez odkurzacz substancje.

- ▶ Używać odkurzacza tylko z włożonym wkładem filtra.

1. Skontrolować poziom wypełnienia. → Strona 46
2. Do pracy na mokro używać w miarę możliwości oddzielnego filtra.



Zalecany jest filtr **HiltiVC 20/40 universal** (2121387).

3. Po zassaniu cieczy otworzyć oba zaczepy zatrzaskowe.
4. Zdjąć głowicę ssącą ze zbiornika i postawić ją na płaskim podłożu, aby filtr mógł wyschnąć.
5. Opróżnić zbiornik i wypłukać go wodą z węża. Wyczyścić szczotką elektrody oraz, po uprzednim wysuszeniu, przetrzeć ręką filtr.
6. Pozostawić zbiornik do wysuszenia.

6.9 Po odkurzaniu

1. Wyłączyć elektronarzędzie.
2. Obróć wyłącznik główny na pozycję "WYŁ".
3. Wyciągnąć wtyczkę sieciową odkurzacza z gniazda.
4. Zwinąć przewód przyłączeniowy i zawiesić na zaczepie.
5. Opróżnić zbiornik i wyczyścić urządzenie wilgotną ściereczką.
6. Zwinąć wąż.
7. Odstawić odkurzacz w suchym pomieszczeniu i zabezpieczyć przed niepowołanym użytkowaniem.

6.10 Opróżnianie zbiornika z suchych pyłów

1. Wyciągnąć wtyczkę sieciową z gniazda.
2. Zdjąć głowicę ssącą ze zbiornika i postawić ją na płaskim podłożu.



3. W przypadku wymienionego poniżej wyposażenia, należy dodatkowo wykonać tę czynność:

VC 20-UM
VC 20-UME
VC 40-UM
VC 40-UME

- ▶ Wyjąć worek na pył ze zbiornika.

4. W przypadku wymienionego poniżej wyposażenia, należy dodatkowo wykonać tę czynność:

VC 20-U
VC 20-UL
VC 40-UL

- ▶ Wyjąć worek na pył ze zbiornika lub chwycić za wgłębienie uchwytowe i przechylić zbiornik w celu opróżnienia.

5. Nałożyć głowicę ssącą na zbiornik i zamknąć obydwa zacczepy zatraskowe.

6.11 Opróżnianie zbiornika bez worka na pył (w przypadku zbierania cieczy)

1. Wyciągnąć wtyczkę sieciową z gniazda.
2. Zdjąć głowicę ssącą ze zbiornika i postawić ją na płaskim podłożu.
3. Chwycić za wgłębienie uchwytowe i przechylić zbiornik w celu opróżnienia.
4. Wyczyścić brzeg zbiornika ściereczką.
5. Nałożyć głowicę ssącą na zbiornik i zamknąć obydwa zacczepy zatraskowe.

7 Konserwacja, utrzymanie urządzenia we właściwym stanie technicznym, transport i magazynowanie

7.1 Konserwacja urządzenia

OSTRZEŻENIE

Zagrożenie przez prąd elektryczny! Niefachowe wykonywanie napraw podzespołów elektrycznych może spowodować ciężkie obrażenia z powodu porażenia prądem.

- ▶ Naprawy elementów elektrycznych mogą być wykonywane wyłącznie przez wykwalifikowanych elektryków.
- ▶ **Należy zadbać o to, aby urządzenie, zwłaszcza uchwyty, były suche i czyste. Nie mogą one być zanieczyszczone smarem ani olejem. Nie używać środków konserwujących zawierających silikon.**
- ▶ Nigdy nie używać odkurzacza z niedrożnymi szczelinami wentylacyjnymi! Ostrożnie czyścić szczeliny wentylacyjne suchą szczotką. Obce ciała nie mogą wnikać do wnętrza urządzenia.
- ▶ Zewnętrzne powierzchnie urządzenia regularnie przecierać lekko zwilżoną ściereczką. Do czyszczenia nie używać urządzeń rozpylających, myjek parowych ani bieżącej wody, ponieważ może to zagrażać bezpieczeństwu elektrycznemu urządzenia.


VC 20-UL
VC 20-UM
VC 20-UME
VC 40-UL
VC 40-UM
VC 40-UME

Podczas prac konserwacyjnych i czyszczenia obchodzić się z urządzeniem tak, aby nie stwarzać zagrożenia dla personelu konserwacyjnego i osób trzecich.

- ▶ Zastosować wentylację z wykorzystaniem filtrów.
- ▶ Należy nosić odzież ochronną.
- ▶ Miejsce przeprowadzania konserwacji oczyścić tak, aby do otoczenia nie przedostawały się żadne niebezpieczne substancje.
- ▶ Przed usunięciem urządzenia z obszaru ze szkodliwymi dla zdrowia substancjami, urządzenie należy z zewnątrz odkurzyć, wytrzeć lub szczelnie zapakować. Unikać przy tym rozprzestrzeniania nagromadzonych, niebezpiecznych pyłów.
- ▶ Podczas konserwacji i naprawy wszystkie części, których nie udało się dokładnie wyczyścić, należy zapakować w szczelne worki i zutylizować zgodnie z obowiązującymi przepisami.
- ▶ Przynajmniej raz w roku należy przeprowadzać w serwisie **Hilti** lub zlecać wykwalifikowanemu personelowi kontrolę techniczną urządzenia, np. pod kątem uszkodzenia filtra, szczelności i działania mechanizmów kontrolnych.



7.2 Automatyczne czyszczenie filtra

 Nie czyścić filtra, stukając nim o twarde przedmioty lub za pomocą ostrych narzędzi. Może to prowadzić do skrócenia żywotności filtra.

Filtra nie wolno czyścić myjką wysokociśnieniową. Może to spowodować pęknięcia w materiale filtra.

Filtr jest częścią podlegającą zużyciu.

- ▶ Filtr wymieniać przynajmniej raz na pół roku.
- ▶ Jednak w przypadku intensywnej eksploatacji filtr należy wymieniać częściej.

7.3 Wymiana filtra

1. Wyciągnąć wtyczkę sieciową z gniazda.
2. Otworzyć zaczep zatrzaskowy osłony filtra.
3. Otworzyć osłonę filtra.
4. Ostrożnie wyjąć filtr za wgłębienia uchwytowe w mocowaniu.
5. Wyczyścić uszczelki ściereczką.
6. Włożyć nowy filtr.
7. Zamknąć osłonę filtra, zatrzaskując do przodu blokadę pokrywy.
8. Zamknąć zaczep zatrzaskowy osłony filtra.

7.4 Kontrola poziomu wypełnienia

1. Zablokować kółka hamulcami w celu stabilnego ustawienia odkurzacza.
2. Wyciągnąć wtyczkę sieciową z gniazda.
3. Otworzyć obydwa zaczepy zatrzaskowe.
4. Zdjąć głowicę ssącą ze zbiornika i postawić ją na płaskim podłożu.
5. Skontrolować gniazdo pod względem zanieczyszczeń i w razie potrzeby wyczyścić je szczotką.
6. Skontrolować uszczelkę głowicy ssącej pod względem zanieczyszczeń i w razie potrzeby wyczyścić ją ściereczką.
7. Nałożyć głowicę ssącą na zbiornik i zamknąć obydwa zaczepy zatrzaskowe.

7.5 Kontrola po wykonaniu czynności konserwacyjnych i związanych z utrzymaniem urządzenia

1. Po zakończeniu prac konserwacyjnych należy sprawdzić, czy odkurzacza został odpowiednio zmontowany i działa prawidłowo.
2. Sprawdzić działanie urządzenia.

7.6 Transport

Nie przenosić pełnego urządzenia.

Urządzenia nie wolno zawieszать na dźwigu.

- ▶ Ewentualnie usunąć kondycjoner sieciowy i nieprzymocowany osprzęt z mocowania.
- ▶ Urządzenie należy opróżnić przed przeniesieniem w inne miejsce.
- ▶ Nie przechylać urządzenia ani nie transportować go w poziomie, jeśli zassana została ciecz.
- ▶ Na czas transportu złączyć oba końce węża za pomocą adaptera stożkowego.

VC 20-UM
VC 20-UME
VC 40-UM
VC 40-UME



OSTRZEŻENIE

Niebezpieczeństwo obrażeń spowodowanych szkodliwymi pyłami! Przez króciec wlotowy mogą wydostawać się niebezpieczne zassane przez odkurzacza substancje.

- ▶ Podczas transportu oraz nieużywania odkurzacza należy zatkać króciec wlotowy korkiem.

7.7 Przechowywanie

- ▶ Odstawić odkurzacza w suchym pomieszczeniu i zabezpieczyć przed niepożądanym użytkowaniem.



8 Pomoc w przypadku awarii

W przypadku awarii, które nie zostały uwzględnione w tej tabeli lub których użytkownik nie jest w stanie usunąć sam, należy skontaktować się z serwisem **Hilti**.

8.1 Pomoc w przypadku awarii

Awaria	Możliwa przyczyna	Rozwiązanie
VC 20-UM VC 20-UME VC 40-UM VC 40-UME Bei UM- und UME-Saugern Akustyczny sygnał ostrzegawczy (zmniejszona siła ssania)	Pełny worek na pył.	<ul style="list-style-type: none"> ▶ Wymienić papierowy worek na pył. → Strona 43 ▶ Wymienić plastikowy worek na pył. → Strona 44
	Filtr mocno zanieczyszczony.	<ul style="list-style-type: none"> ▶ Jeśli automatyczne czyszczenia filtra jest dezaktywowane, należy je aktywować i włączyć odkurzacz na 30 sekund. ▶ Wymienić filtr. → Strona 46
	Zapchany wąż ssący lub osłona przeciwpyłowa elektronarzędzia.	▶ Wyczyścić wąż ssący i osłonę przeciwpyłową.
	Przełącznik ustawiania średnicy węża w nieprawidłowej pozycji.	▶ Ustawić średnicę węża.
Z odkurzacza wydostaje się pył.	Filtr jest nieprawidłowo zamontowany.	▶ Ponownie zamontować filtr.
	Uszkodzony filtr.	▶ Zamontować nowy filtr.
Urządzenie włącza się i wyłącza samoczynnie lub przez użytkownika przepływa ładunek elektrostatyczny.	Ładunek elektrostatyczny nie jest prawidłowo odprowadzany, urządzenie nie jest przyłączone do uziemionego gniazda sieciowego.	▶ Podłączyć urządzenie do uziemionego gniazda, zastosować wąż antystatyczny.
Urządzenie nie daje się uruchomić lub wyłącza się po krótkim czasie.	Zadziałał wyłącznik dopływu wody.	▶ Wyczyścić szczotką czujniki i ich otoczenie.
Silnik nie działa.	Zadziałał bezpiecznik w gnieździe sieciowym.	<ul style="list-style-type: none"> ▶ Włączyć bezpiecznik. ▶ W razie ponownego zadziałania, ustalić przyczynę powstawania nadmiaru prądu.
	Pełny zbiornik.	<ul style="list-style-type: none"> ▶ Wyłączyć urządzenie i opróżnić zbiornik. ▶ Opróżnić zbiornik. → Strona 45
	Zadziałał wyłącznik termiczny silnika.	<ul style="list-style-type: none"> ▶ Wyłączyć urządzenie i pozostawić do ostygnięcia na ok. 5 minut. ▶ Jeśli silnik nie zadziała, oddać urządzenie do serwisu Hilti.
	Wyłącznik termiczny wielokrotnie wyłącza silnik z powodu zanieczyszczenia szczelin wentylacyjnych.	▶ Ostrożnie wyczyścić szczeliny wentylacyjne suchą szczotką.
Silnik nie działa w trybie pracy automatycznej.	Urządzenie jest uszkodzone lub nieprawidłowo podłączone.	▶ Skontrolować podłączone urządzenie pod kątem działania lub prawidłowo włożyć wtyczkę do gniazda.
Nie działa system automatycznego czyszczenia filtra.	Niepodłączony wąż ssący.	▶ Podłączyć wąż ssący do urządzenia.

9 Utylizacja

Produkty **Hilti** wykonane zostały w znacznej mierze z materiałów nadających się do powtórnego wykorzystania. Warunkiem recyklingu jest prawidłowa segregacja materiałów. W wielu krajach firma **Hilti**



przyjmuje zużyte urządzenia w celu ponownego wykorzystania. Pytać należy w punkcie serwisowym **Hilti** lub doradcę handlowego.

Zgodnie z Europejską Dyrektywą w sprawie zużytego sprzętu elektrotechnicznego i elektronicznego oraz dostosowaniem jej do prawa krajowego, zużyte elektronarzędzia należy posegregować i zutylizować w sposób przyjazny dla środowiska.



- ▶ Nie wyrzucać elektronarzędzi z odpadami komunalnymi!

Płuczka wiertnicza

Z punktu widzenia ochrony środowiska spuszczenie płuczki wiertniczej do wód gruntowych lub kanalizacji bez odpowiedniego uzdatnienia jest problematyczne.

- ▶ Należy skonsultować się z lokalnymi władzami w związku z obowiązującymi przepisami w tym względzie.

Zaleca się następujący sposób uzdatniania:

- ▶ Płuczki wiertnicze należy zbierać (np. za pomocą odkurzacza do pracy na mokro).
- ▶ Odczekać, aż płuczka wiertnicza się osadzi i usunąć osad na wysypisko gruzu budowlanego (proces wytrącania się osadu można przyspieszyć środkami koagulującymi).
- ▶ Przed wylaniem pozostałej wody (zasadowa, wartość $\text{pH} > 7$) do kanalizacji, należy ją zneutralizować poprzez dodanie kwasowego środka neutralizującego lub rozcieńczyć dużą ilością wody.

Zwierzcin

- ▶ Zwierzcin należy utylizować zgodnie z przepisami prawnymi obowiązującymi w danym kraju.

10 Chińska dyrektywa RoHS (dyrektywa w sprawie ograniczenia stosowania substancji niebezpiecznych)

Pod poniższymi linkami znajdują się tabele substancji niebezpiecznych: r4635725 (VC 20) r4635725 i (VC 40). Link do tabeli RoHS znajduje się na końcu niniejszej dokumentacji jako kod QR.

11 Gwarancja producenta na urządzenia

- ▶ W razie pytań dotyczących warunków gwarancji należy skontaktować się z lokalnym przedstawicielem **Hilti**.

Originální návod k obsluze

1 Údaje k návodu k obsluze

1.1 K tomuto návodu k obsluze

- Před uvedením do provozu si přečtěte tento návod k obsluze. Je to předpoklad pro bezpečnou práci a bezproblémové zacházení.
- Dodržujte bezpečnostní pokyny a varovná upozornění v tomto návodu k obsluze a na výrobku.
- Návod k obsluze mějte uložený vždy u výrobku a dalším osobám předávejte výrobek jen s tímto návodem k obsluze.

1.2 Vysvětlení značek

1.2.1 Varovná upozornění

Varovná upozornění varují před nebezpečím při zacházení s výrobkem. Byla použita následující signální slova:

 **NEBEZPEČÍ**

NEBEZPEČÍ!

- ▶ Používejte se k upozornění na bezprostřední nebezpečí, které by mohlo vést k těžkému poranění nebo k smrti.



⚠ VÝSTRAHA

VÝSTRAHA !

- ▶ Používá se k upozornění na potenciální nebezpečí, které může vést k těžkým poraněním nebo k smrti.

⚠ POZOR

POZOR !

- ▶ Používá se k upozornění na potenciálně nebezpečnou situaci, která by mohla vést k poraněním nebo k věcným škodám.

1.2.2 Symboly v dokumentaci

V našich dokumentacích jsou použity následující symboly:

	Před použitím si přečtěte návod k obsluze.
	Pozor
	Pokyny k používání a ostatní užitečné informace
	Zacházení s recyklovatelnými materiály
	Elektrické nářadí a akumulátory nevyhazujte do smíšeného odpadu.

1.2.3 Symboly na obrázcích

Na našich obrázcích jsou použity následující symboly:

	Tato čísla odkazují na příslušný obrázek na začátku tohoto návodu
	Číslování udává pořadí pracovních kroků na obrázku a může se lišit od pracovních kroků v textu
	Čísla pozic jsou uvedena na obrázku Přehled a odkazují na čísla z legendy v části Přehled výrobku
	Tato značka znamená, že byste měli manipulaci s výrobkem věnovat zvláštní pozornost.

1.3 Symboly v závislosti na výrobku

1.3.1 Symboly na výrobku

Na výrobku byly použity následující symboly:

	Varování před horkým povrchem
	Zákaz transportu pomocí jeřábu

1.4 Na zařízení

VC 20-UL
VC 40-UL



UPOZORNĚNÍ: Tento vysavač obsahuje prach ohrožující zdraví. Vyprazdňování a údržbu, včetně odstraňování vaku na prach, smí provádět pouze odborný personál, který nosí vhodné osobní ochranné vybavení. Nezapínejte, dokud není nainstalovaný kompletní filtrační systém.





UPOZORNĚNÍ: Tento vysavač obsahuje prach ohrožující zdraví. Vyprazdňování a údržbu, včetně odstraňování vaku na prach, smí provádět pouze odborný personál, který nosí vhodné osobní ochranné vybavení. Nezapínejte, dokud není nainstalovaný kompletní filtrační systém a přezkoušená funkce kontroly objemu proudění vzduchu.

1.5 Informace o výrobku

Výrobky **Hilti** jsou určeny pro profesionální uživatele a smí je obsluhovat, ošetřovat a provádět jejich údržbu pouze autorizovaný a instruuovaný personál. Tento personál musí být speciálně informován o vyskytujících se nebezpečích, s nimiž by se mohl setkat. Výrobek a jeho pomůcky mohou být nebezpečné, pokud s nimi nesprávně zachází nevyškolený personál nebo pokud se nepoužívají v souladu s určeným účelem.

Typové označení a sériové číslo jsou uvedeny na typovém štítku.

- Poznamenejte si sériové číslo do následující tabulky. Údaje výrobku budete potřebovat při dotazech adresovaných našemu zastoupení nebo servisu.

Údaje o výrobku → Strana 50

Údaje o výrobku

Vysavač na suché a mokré sání	VC 20-U VC 20-UL VC 20-UM VC 20-UME VC 40-U VC 40-UL VC 40-UM VC 40-UME
Generace	02
Sériové číslo	

1.6 Prohlášení o shodě

Prohlašujeme na výhradní zodpovědnost, že zde popsaný výrobek je ve shodě s platnými směrnici a normami. Kopii prohlášení o shodě najdete na konci této dokumentace.

Technické dokumentace jsou uloženy zde:

Hilti Entwicklungsgesellschaft mbH | Zulassung Geräte | Hiltistraße 6 | 86916 Kaufering, DE

2 Bezpečnost

2.1 Bezpečnostní pokyny

2.1.1 Všeobecné bezpečnostní pokyny

Vedle bezpečnostních pokynů uvedených v jednotlivých kapitolách tohoto návodu k obsluze je nutno vždy striktně dodržovat následující ustanovení.

- **Přečtete si všechny pokyny!** Nedodržování následujících pokynů může vést k úrazu elektrickým proudem, požáru a/nebo k těžkým poraněním.
- **Při použití zařízení ve spojení s elektrickým náradím si předem přečtete návod k obsluze elektrického náradí a dodržujte všechny pokyny.**
- **Úpravy nebo změny na zařízení nejsou dovoleny.**
- **Používejte správné zařízení. Nepoužívejte zařízení k účelům, pro které není určené, nýbrž pouze k určenému účelu a v bezvadném stavu.**
- **Dříve než budete se zařízením pracovat, informujte se o zacházení s ním, možných nebezpečích způsobených materiálem a o likvidaci vysátého materiálu.**
- **Zohledněte vlivy okolí. Nepoužívejte zařízení tam, kde existuje nebezpečí požáru nebo exploze.**
- **Zařízení smí používat pouze osoby, které jsou s ním seznámené, byly poučeny o bezpečném používání a chápou s tím spojená rizika. Zařízení není určené pro děti.**



- ▶ **Nepoužívaná zařízení uchovávejte v bezpečí.** Zařízení, které se nepoužívá, musí být uložené na suchém, výše položeném nebo uzavřeném místě mimo dosah dětí.

2.1.2 Bezpečnost osob

- ▶ **Bud'te pozorní, dávejte pozor na to, co děláte, a přistupujte k práci s výrobkem rozumně.** Vysavač **nepoužívejte, když jste unavení nebo pod vlivem drog, alkoholu či léků.** Moment nepozornosti při používání zařízení může vést k vážným úrazům.
- ▶ **Obsluha a osoby, které se zdržují v blízkosti, musí během používání a údržby zařízení používat vhodné ochranné brýle, ochrannou helmu, ochranu sluchu, ochranné rukavice, bezpečnostní obuv a lehký respirátor.**
- ▶ **Pro bezpečnou stabilitu vysavače zajistěte brzdy koleček.** S nezajištěnými brzdami koleček se vysavač může nekontrolovaně začít pohybovat.
- ▶ **Pokud lze namontovat odsávání prachu nebo zařízení na zachycení prachu, zkontrolujte, zda jsou připojené a používají se správně.** Použitím odsávání prachu můžete snížit ohrožení vlivem prachu.

2.1.3 Pečlivé zacházení se zařízením a jeho používání

- ▶ **Nikdy nenechávejte zařízení bez dozoru.**
- ▶ **Při vysávání nebezpečného prachu nedeaktivujte čištění filtru, zejména při použití prašného elektrického nářadí.**
- ▶ **Chraňte vysavač před mrazem.**
- ▶ **Zařízení pro kontrolu hladiny vody pravidelně čistěte podle návodu kartáčkem a kontrolujte, zda nejeví známky poškození.**
- ▶ **Při nasazování hlavy vysavače dbejte na to, abyste se neskřípli a nepoškodili síťový kabel.** Hrozí nebezpečí poranění a poškození.
- ▶ **Zkontrolujte, zda zařízení a příslušenství nejsou poškozené.** Před dalším použitím je nutné pečlivě zkontrolovat ochranná zařízení nebo lehce poškozené díly, zda bezvadně a správně fungují. Zkontrolujte, zda pohyblivé díly fungují bezvadně a zda nevážnou, nebo zda nejsou díly poškozené. Veškeré díly musí být správně namontované a splňovat všechny podmínky pro zajištění bezvadného provozu zařízení.
- ▶ **Zařízení svěřujte do opravy pouze kvalifikovaným odborným pracovníkům, kteří mají k dispozici originální náhradní díly.** Tak zajistíte, že zařízení bude i po opravě bezpečné.
- ▶ **Pokud zařízení nepoužíváte (během přestávek v práci), před provedením péče a údržby, před výměnou příslušenství nebo filtru, vždy vytáhněte síťovou zástrčku ze zásuvky.** Toto preventivní opatření zabrání neúmyslnému zapnutí zařízení.
- ▶ **Vysavač nikdy nepřesunujte do jiné pracovní polohy taháním za síťový kabel.** Nepřejíždějte vysavačem síťový kabel.
- ▶ **Zařízení nepřemísťujte pomocí jeřábu.**

VC 20-UM
VC 20-UME
VC 40-UM
VC 40-UME

- ▶ **Při přepravě a pokud zařízení nepoužíváte, zavřete sací hrdlo uzavírací objímkou.**

2.1.4 Elektrická bezpečnost

- ▶ **Síťová zástrčka zařízení musí odpovídat zásuvce.** Zástrčka nesmí být žádným způsobem upravována. U zařízení s ochranným uzemněním **nepoužívejte žádné adaptéry.** Neupravované zástrčky a odpovídající zásuvky snižují riziko úrazu elektrickým proudem.
- ▶ **Zástrčku zapojte do vhodné uzemněné zásuvky, která je bezpečně nainstalovaná a splňuje všechny místní předpisy.** Pokud si nejste jisti, že je zásuvka uzemněná, nechte ji zkontrolovat odborníkem s elektrotechnickou kvalifikací.
- ▶ **Nedotýkejte se uzemněných povrchů, např. trubek, topení, sporáků a chladniček.** Při tělesném kontaktu s uzemněním hrozí zvýšené riziko úrazu elektrickým proudem.
- ▶ **Zařízení chraňte před deštěm a vlhkem.** Vniknutí vody do elektrického zařízení zvyšuje nebezpečí úrazu elektrickým proudem.
- ▶ **Zkontrolujte, zda síťový kabel neleží ve vodě.**
- ▶ **Pravidelně kontrolujte přívodní kabel zařízení a v případě poškození ho nechte vyměnit v servisním oddělení Hilti.** Pravidelně kontrolujte prodlužovací kabely a v případě poškození je vyměňte.
- ▶ **Pokud dojde při práci k poškození síťového kabelu a/nebo prodlužovacího kabelu, nesmíte se jich dotýkat.** Vytáhněte síťovou zástrčku ze zásuvky. Poškozené síťové a prodlužovací kabely představují nebezpečí úrazu elektrickým proudem.



- ▶ Síťový kabel smí být vyměněn pouze za typ uvedený v návodu k obsluze.
- ▶ **Síťový kabel použijte jen k tomu účelu, pro který je určený. Nepoužívejte jej zejména k nošení či zavěšování zařízení ani k vytahování zástrčky ze zásuvky. Kabel ved'te vždy v bezpečné vzdálenosti od zdrojů tepla, ostrých hran a pohyblivých dílů, zamezte styku s olejem.** Poškozené nebo zamotané kabely zvyšují riziko úrazu elektrickým proudem.
- ▶ **Pokud pracujete s elektrickým zařízením venku, používejte pouze takové prodlužovací kabely, které jsou vhodné i pro venkovní použití.** Použití prodlužovacího kabelu, který je vhodný pro použití venku, snižuje riziko úrazu elektrickým proudem.
- ▶ **Při výpadku proudu zařízení vypněte a vytáhněte síťovou zástrčku ze zásuvky.**
- ▶ **Zásuvku vysavače používejte pouze pro účely, které jsou uvedené v návodu k obsluze.**
- ▶ **Nikdy nepoužívejte zařízení ve špinavém nebo mokřém stavu.** Prach usazený na povrchu zařízení, především z vodivých materiálů, nebo vlhkost mohou za nepříznivých podmínek způsobit úraz elektrickým proudem. **Především pokud často opracováváte vodivé materiály, nechte znečištěná zařízení v pravidelných intervalech zkontrolovat v servisu Hilti.**

2.1.5 Pracoviště

- ▶ **Zajistěte dobré osvětlení pracoviště.**
- ▶ **Zajistěte dobré větrání pracoviště.** Špatně větrané pracoviště může ohrozit zdraví kvůli zatížení prachem.
- ▶ **Udržujte své pracoviště v pořádku. Z pracoviště odstraňte všechny předměty, kterými byste se mohli poranit.** Nepořádek na pracovišti může mít za následek úrazy.
- ▶ **Se zařízením nepracujte v prostředích s nebezpečím výbuchu, kde se nacházejí hořlavé kapaliny, plyny nebo prach.** Elektrická zařízení jiskří; od těchto jisker se mohou prach nebo páry vznítit.
- ▶ **Obzvláště opatrní buďte při práci na schodech.**

2.1.6 Vysávaný materiál

- ▶ **Je zakázáno vysávat zdraví škodlivý, hořlavý a/nebo výbušný prach (hořčičkovo-hliníkový prach atd.). Nesmí se vysávat materiály s teplotou nad 60 °C (např. doutnající cigarety, horký popel).**
- ▶ **Je zakázáno vysávání hořlavých, výbušných, agresivních kapalin (chladicí a mazací prostředky, benzín, ředidla, kyseliny [pH < 5], louhy [pH > 12,5] atd.).**
- ▶ **V případě, že uniká pěna nebo kapalina, zařízení okamžitě vypněte.**
- ▶ **Při vysávání horkého materiálu max. do 60 °C noste ochranné rukavice.**
- ▶ **Při práci s minerálním vrtným kalem používejte ochranný pracovní oděv a zabraňte potřísnění pokožky (pH > 9, leptavé).**
- ▶ **Zabraňte kontaktu se zásaditými nebo kyselými kapalinami. Při náhodném kontaktu opláchněte postižené místo vodou. Jestliže se tato kapalina dostane do očí, vypláchněte je velkým množstvím vody a vyhledejte lékaře.**

VC 20-UL

VC 40-UL

- ▶ Zařízení třídy prachu L je vhodné pro vysávání/odsávání suchého, nehořlavého prachu, dřevěných třísek a nebezpečného prachu s mezními hodnotami expozice > 1 mg/m³. **Podle míry nebezpečí vysávaného/odsávaného prachu musí být vysavač vybavený vhodnými filtry.**

VC 20-UM

VC 20-UME

VC 40-UM

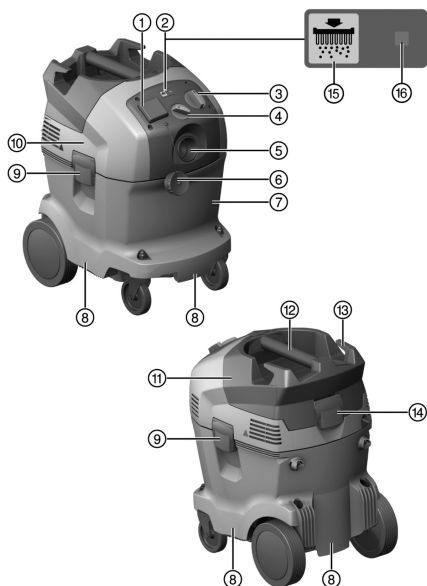
VC 40-UME

- ▶ Zařízení třídy prachu M je vhodné pro vysávání/odsávání suchého, nehořlavého prachu, dřevěných třísek a nebezpečného prachu s mezními hodnotami expozice ≥ 0,1 mg/m³. **Podle míry nebezpečí vysávaného/odsávaného prachu musí být vysavač vybavený vhodnými filtry.**



3 Popis

3.1 Přehled výrobku



- ① Zásuvka pro připojení nářadí VC 20/40-UME, volitelné pro VC 20/40-U a VC 20/40-UJL
- ② Automatické čištění filtru
- ③ Spínač zařízení
- ④ Nastavení průměru hadice (VC 20-UM NEBO VC 20-UME NEBO VC 40-UM NEBO VC 40-UME)
- ⑤ Sací hrdlo
- ⑥ Uzavírací objímka pro sací hrdlo (VC 20-UM NEBO VC 20-UME NEBO VC 40-UM NEBO VC 40-UME)
- ⑦ Sběrná nádoba
- ⑧ Prohlubeň pro uchopení
- ⑨ Uzavírací spona
- ⑩ Hlava vysavače
- ⑪ Kryt filtru
- ⑫ Rukojeť
- ⑬ Háček na kabel
- ⑭ Uzavírací spona krytu filtru
- ⑮ Tlačítko "zapnutí/vypnutí čištění filtru"
- ⑯ Ukazatel stavu „automatické čištění filtru“

3.2 Použití v souladu s určeným účelem

Zde popsané výrobky jsou univerzální průmyslové vysavače pro komerční použití. Lze je používat pro suché a mokré sání.

Hilti Výrobky jsou určené pro profesionální uživatele a smí je obsluhovat, ošetřovat a provádět jejich údržbu pouze autorizovaný a instruuovaný personál. Výrobek a jeho pomůcky mohou být nebezpečné, pokud s nimi nesprávně zachází nevyškolený personál nebo pokud se nepoužívají v souladu s určeným účelem.

Tento výrobek se nesmí používat pro vysávání osob a zvířat. Použití pod vodou je zakázáno.

- ▶ Dříve než budete s výrobkem pracovat, informujte se o zacházení s ním, nebezpečích způsobených materiálem a bezpečné likvidaci materiálu.
- ▶ Nepoužívejte výrobek v trvalém stacionárním provozu, v automatických nebo poloautomatických zařízeních.
- ▶ Používejte pouze originální příslušenství a nástroje firmy **Hilti**, abyste zabránili nebezpečí poranění.
- ▶ Abyste zabránili vzniku elektrostatického výboje, používejte antistatickou sací hadici.
- ▶ Nevysávejte předměty, které by přes vak na prach mohly způsobit poranění (například špičaté nebo ostré kousky).
- ▶ Nepoužívejte výrobek místo žebříku.

Tento výrobek je vhodný pouze pro následující komerční použití:

- Odsávání velkého množství prachu s diamantovými bruskami, dělicími bruskami, vrtacími kladivý a korunkami pro vrtání za sucha **Hilti**.
- Odsávání minerálního vrtného kalu s diamantovými vrtacími korunkami **Hilti**, resp. diamantovými pilami **Hilti** a kapalin do teploty < 60 °C (140 °F).
- Odsávání oleje a tekutých médií do teploty < 60 °C (140 °F).
- Suché a mokré čištění zdí a podlah

Další použití pro následující typy:



VC 20-UL
VC 40-UL

Tento výrobek je vhodný pouze pro následující použití:

- Odsávání suchého, nehořlavého prachu, kapalin, dřevěných třísek a nebezpečného prachu s mezními hodnotami expozice > 1 mg/m³ (třída prachu L).

VC 20-UM
VC 20-UME
VC 40-UM
VC 40-UME

Tento výrobek je vhodný pouze pro následující použití:

- Odsávání suchého, nehořlavého prachu, kapalin, dřevěných třísek a nebezpečného prachu s mezními hodnotami expozice $\geq 0,1$ mg/m³ (třída prachu M).



Pokud se při vysávání prachu s mezními hodnotami expozice vrací vypouštěný vzduch ze zařízení do místnosti, musí být zabezpečeno dostatečné větrání.

Vhodným vysavačem se smí vysávat pouze zdraví škodlivé látky podle IEC 60335-2-69 (třída L/M). Vysávání jiných zdraví škodlivých látek je zakázáno.

Vysávání oleje a tekutých médií s teplotou ≥ 60 °C (140 °F) je zakázáno.

3.3 Možné nesprávné použití

- Průmyslový vysavač se nesmí používat položený na boku.
- Průmyslový vysavač se nesmí používat k vysávání výbušných látek, žhavých, hořících nebo hořlavých látek a agresivního prachu (například hořčičkovo-hliníkového prachu) (výjimka: dřevěné třísky).
- Průmyslový vysavač se nesmí používat k vysávání hořlavých tekutin (například benzínu, ředidel, kyselin, chladících a mazacích prostředků).
- Nesmí se pracovat s materiály ohrožujícími zdraví (např. azbest).

3.4 Obsah dodávky

Vysavač na suché a mokré sání včetně filtrační vložky, sací hadice kompletní s otočnou objímkou (na straně vysavače), plastový vak na prach PE VC 20/40, návod k obsluze.



Pro bezpečný provoz používejte pouze originální náhradní díly a spotřební materiál. Námí schválené náhradní díly, spotřební materiál a příslušenství pro váš výrobek najdete ve středisku **Hilti** nebo na: www.hilti.group.

3.5 Nastavení průměru hadice

VC 20-UM
VC 20-UME
VC 40-UM
VC 40-UME

Aby správně fungoval akustický varovný signál, musí se u nastavení průměru sací hadice nastavit průměr použité sací hadice.

3.6 Akustický varovný signál

VC 20-UM
VC 20-UME
VC 40-UM
VC 40-UME

Klesne-li rychlost vzduchu v sací hadici pod 20 m/s, zazní z bezpečnostních důvodů akustický varovný signál.

3.7 Automatické čištění filtru

Vysavač je vybavený automatickým čištěním filtru, pomocí kterého se filtrační vložka v maximální míře zbaví zachyceného prachu.



Čištění filtru lze vypnout tlačítkem "zapnutí/vypnutí automatického čištění filtru" a opětovným stisknutím znovu zapnout.

Stav	Význam
LED svítí.	Čištění filtru je aktivované.
LED nesvítí.	Čištění filtru je deaktivované.

Čištění filtru se automaticky aktivuje při každém spuštění vysavače.

Filtrační vložka se automaticky čistí rázem vzduchu (tepající zvuky).



Při systémovém použití (zejména při broušení, řezání a drážkování) nebo při vysávání většího množství prachu musí být čištění filtru aktivované, aby byl umožněn trvalý vysoký sací výkon.

Čištění filtru funguje pouze při připojené sací hadici.

3.8 Pokyny pro použití

Příslušenství a způsoby jeho použití

Příslušenství	Způsob použití
Plastový vak na prach PE VC 20 (203854)	použití na minerální látky, mokré a suché sání
Plastový vak na prach PE VC 40 (203852)	použití na minerální látky, mokré a suché sání
Papírový vak na prach VC 20 (203858)	použití na dřevo
Papírový vak na prach VC 40 (203856)	použití na dřevo
Filtr VC 20/40 suchý (2121386)	suché sání
Filtr VC 20/40 univerzální (2121387)	univerzální na mokré a suché sání
Filtr VC 20/40 performance (2121388)	intenzivní použití pro mokré a suché sání
Sací hadice 27 x 3,5 m AS	mokré a suché sání
Sací hadice 36 mm	převážně mokré sání, nikoli na prach
Sací hadice 36 x 5 m AS	mokré a suché sání

VC 20-UM
VC 20-UME
VC 40-UM
VC 40-UME

- Bezpodmínečně používejte plastový vak na prach nebo papírový vak na prach.

4 Technické údaje

	VC 20	VC 40
Síťová frekvence	50 Hz ... 60 Hz	50 Hz ... 60 Hz
Hmotnost podle standardu EPTA 01/2003	13 kg	14,7 kg
Rozměr	530 mm x 380 mm x 490 mm	510 mm x 380 mm x 610 mm
Objem sběrné nádoby	21 ℓ	36 ℓ
Užitné množství prachu	23 kg	40 kg
Užitný objem vody	13,5 ℓ	25 ℓ
Provozní teplota	-10 °C ... 40 °C při suchém sání	-10 °C ... 40 °C při suchém sání
Automatické čištění filtru	15 s	15 s
Třída ochrany	I	I
Stupeň ochrany	IP X4	IP X4



4.1 Jmenovité napětí

i Při provozu s generátorem nebo transformátorem musí být jeho výstupní výkon minimálně dvojnásobný, než je jmenovitý příkon uvedený na typovém štítku zařízení. Provozní napětí transformátoru nebo generátoru musí být neustále v rozpětí +5 % a -15 % jmenovitého napětí zařízení.

Jmenovité napětí	100 V	110 V	110 V	200 V
Jmenovitý příkon	1 200 W	1 200 W	1 100 W	950 W
Připojovací příkon integrované zásuvky vysavače pro elektrické nářadí (je-li k dispozici)		1 600 W		
Síťová přípojka (typ)	VCTF 3 x 2,0 mm ²	A07 QQ-F 3 / 12 AWG	H07 BQ-F 3G 1,5 mm ²	VCTF 3 x 2,0 mm ²
Jmenovité napětí	220–240 V	220–240 V (CH)	220–240 V (GB)	240 V (NZ)
Jmenovitý příkon	1 200 W	1 200 W	1 200 W	1 200 W
Připojovací příkon integrované zásuvky vysavače pro elektrické nářadí (je-li k dispozici)	2 400 W	1 100 W	1 800 W	1 200 W
Síťová přípojka (typ)	H07 RN-F 3G 1,5 mm ²	H07 RN-F 3G 1,5 mm ²	H07 RN-F 3G 1,5 mm ²	H07 RN-F 3G 1,5 mm ²

4.2 Maximální objem proudění a maximální podtlak

		VC 20-UL	VC 40-UL	VC 20-UM	VC 20-UME
Maximální objem proudění (vzduchu)	1 100 W	135 m ³ /h	135 m ³ /h	135 m ³ /h	135 m ³ /h
	1 200 W	145 m ³ /h	145 m ³ /h	145 m ³ /h	145 m ³ /h
Maximální podtlak	1 100 W	22,0 kPa	22,0 kPa	22,0 kPa	•/•
	1 200 W	25,3 kPa	25,3 kPa	25,3 kPa	25,3 kPa

		VC 40-UM	VC 40-UME
Maximální objem proudění (vzduchu)	1 100 W	135 m ³ /h	135 m ³ /h
	1 200 W	145 m ³ /h	145 m ³ /h
Maximální podtlak	1 100 W	22,0 kPa	22,0 kPa
	1 200 W	25,3 kPa	25,3 kPa

4.3 Informace o hlučnosti a vibracích, měřeno podle EN 60335-2-69

Následující údaje platí pro všechny průmyslové vysavače VC 20 a VC 40.

Hladina emitovaného akustického tlaku (L_{pA})	71 dB(A)
Nejistota pro hladinu akustického tlaku (K_{pA})	2,5 dB(A)
Hodnota emitovaných vibrací	< 2,5 m/s ²
Nejistota (K)	je zohledněná v hodnotě emitovaných vibrací



5 Uvedení do provozu

POZOR

Nebezpečí poranění nekontrolovanými pohyby! S nezajištěnými brzdami koleček se vysavač může nekontrolovaně začít pohybovat.

- ▶ Pro bezpečnou stabilitu vysavače zajistěte brzdy koleček.

5.1 První uvedení do provozu

1. Otevřete obě uzavírací spony.
2. Ze sběrné nádoby sejměte hlavu vysavače.
3. Ze sběrné nádoby vyjměte příslušenství a vybalte ho.
4. Podle návodu vložte vhodný vak na prach.



Pro vysávání prachu s mezními hodnotami expozice $> 1 \text{ mg/m}^3$ je nutné použít provedení třídy L nebo M: plastový vak na prach na minerální prach nebo papírový vak na prach na dřevěné třísky.

Pro vysávání prachu s mezními hodnotami expozice $\geq 0,1 \text{ mg/m}^3$ je nutné použít provedení třídy M: plastový vak na prach na minerální prach nebo papírový vak na prach na dřevěné třísky.

K odsávání bezpečného prachu: plastový vak na prach.

5. Na sběrnou nádobu nasadíte hlavu vysavače a zavřete obě uzavírací spony.
6. Ujistěte se, že je hlava vysavače správně nasazená a zajištěná.
7. K vysavači připojte sací hadici.

5.2 Vložení papírového vaku na prach pro vysávání dřevěných třísek 2

1. Otevřete obě uzavírací spony.
2. Ze sběrné nádoby sejměte hlavu vysavače.
3. Nasadíte nový papírový vak na prach do adaptéru a vložte ho do sběrné nádoby.
4. Hlavu vysavače nasadíte na sběrnou nádobu.
5. Zavřete obě uzavírací spony.
6. Ujistěte se, že je hlava vysavače správně nasazená a zajištěná.
7. K vysavači připojte sací hadici.

5.3 Vložení plastového vaku na prach 3

1. Otevřete obě uzavírací spony.
2. Ze sběrné nádoby sejměte hlavu vysavače.
3. Do sběrné nádoby připevníte nový vak na prach (návod na potisku).
4. Hlavu vysavače nasadíte na sběrnou nádobu a zavřete obě uzavírací spony.

6 Obsluha

NEBEZPEČÍ

Nebezpečí způsobené elektrickým proudem. Pokud vysavač není řádně připojený, může to způsobit smrtelná nebo těžká poranění.

- ▶ Vysavač připojujte jen k řádně uzemněnému zdroji elektrického proudu.

VÝSTRAHA

Nebezpečí poranění. Při poškození filtračního systému může unikat zdraví škodlivý prach.

- ▶ V případě nouze (např. při prasknutí filtru) vysavač vypněte, vytáhněte síťovou zástrčku ze zásuvky a před dalším používáním nechte vysavač zkontrolovat odborným personálem.

POZOR

Nebezpečí poranění nekontrolovanými pohyby! S nezajištěnými brzdami koleček se vysavač může nekontrolovaně začít pohybovat.

- ▶ Pro bezpečnou stabilitu vysavače zajistěte brzdy koleček.



6.1 Použití vysavačů třídy L nebo vysavačů třídy M

VC 20-UL
VC 20-UM
VC 20-UME
VC 40-UL
VC 40-UM
VC 40-UME

NEBEZPEČÍ

Nebezpečí poranění. U vysavačů třídy L, třídy M a třídy H obsahuje vysavač zdraví škodlivý prach.

- ▶ Vyprazdňování a údržbu, včetně odstraňování sběrné nádoby na prach, smí provádět pouze odborný personál. Noste odpovídající ochranné vybavení.
- ▶ Než vysavač odstraníte z oblasti zatížené nebezpečnými látkami, vysajte jeho povrch, důkladně ho otřete nebo neprodyšně zabalte. Protože při přemísťování z nebezpečné oblasti je třeba všechny části zařízení považovat za znečištěné, proveďte vhodná opatření, abyste zabránili šíření prachu.
- ▶ Vysavač nikdy nepoužívejte bez kompletního filtračního systému.

6.2 Nastavení průměru hadice

VC 20-UM
VC 20-UME
VC 40-UM
VC 40-UME

1. Pro vysávání/odsávání suchého, nehořlavého prachu s mezními hodnotami expozice a dřevěných třísek přizpůsobte průměr hadice nastavením spínače pro nastavení průměru hadice → Strana 54.
2. Pokud vysavač používáte se systémem s dutými vrtáky **Hilti**, přepněte na nejmenší průměr hadice.

6.3 Provoz bez použití zásuvky pro elektrické nářadí

1. Před zapojením síťové zástrčky zkontrolujte, zda je spínač v poloze „OFF“.
2. Zapojte síťovou zástrčku vysavače do zásuvky.
3. Spínač otočte do polohy „ON“.

6.4 Provoz s využitím zásuvky vysavače



Zásuvka vysavače je určená pouze k přímému připojení elektrického nářadí k vysavači.

Je-li v zásuvce vysavače zapojené elektrické nářadí, je nutné dodržovat pokyny návodu k obsluze a v něm obsažená bezpečnostní upozornění.

1. Vytáhněte síťovou zástrčku vysavače ze zásuvky.
2. Zkontrolujte, zda je maximální příkon připojovaného elektrického nářadí nižší než přípustný maximální výkon zásuvky vysavače, viz kapitolu "Technické údaje" a potisk na zásuvce vysavače.
3. Před zapojením síťové zástrčky elektrického nářadí zkontrolujte, zda je elektrické nářadí vypnuté.
4. Síťovou zástrčku elektrického nářadí zapojte do zásuvky vysavače.
5. Zapojte síťovou zástrčku vysavače do zásuvky.
6. Spínač otočte do polohy "Auto".
7. Zapněte elektrické nářadí.



Po vypnutí elektrického nářadí vysavač ještě chvíli dobíhá, aby došlo k odsátí prachu nacházejícího se v sací hadici.

6.5 Vysávání suchého prachu



Před vysáváním suchého a zejména minerálního prachu je vždy nutné zkontrolovat, zda je ve sběrné nádobě vložený správný vak na prach. Vysátý materiál lze potom snadno a čistě zlikvidovat.



⚠ POZOR

Nebezpečí poškození zdraví zdraví škodlivým prachem! Bez použití filtrační vložky může unikat nebezpečný vysátý materiál.

- ▶ Vysavač používejte jen s nasazenou filtrační vložkou.
- ▶ Dbejte na to, aby byla filtrační vložka suchá a byl vložený vhodný vak na prach.

6.6 Výměna papírového vaku na prach

⚠ NEBEZPEČÍ

Nebezpečí poranění. Špičaté předměty by mohly prorznout vak na prach.

- ▶ Zkontrolujte, zda nedošlo k protržení vaku na prach nějakým předmětem.

1. Vytáhněte síťovou zástrčku ze zásuvky.
2. Otevřete obě uzavírací spony.
3. Ze sběrné nádoby sejměte hlavu vysavače.
4. Opatrně oddělte hrdlo papírového vaku na prach od adaptéru.
5. Hrdlo vaku na prach zavřete uzávěrem.
6. Sběrnou nádobu vyčistěte hadrem.
7. Do sběrné nádoby připevněte nový papírový vak na prach.
8. Hlavu vysavače nasadte na sběrnou nádobu a zavřete obě uzavírací spony.

6.7 Výměna plastového vaku na prach

1. Vytáhněte síťovou zástrčku ze zásuvky.
2. Otevřete obě uzavírací spony.
3. Ze sběrné nádoby sejměte hlavu vysavače.
4. Plastový vak na prach uzavřete pod vyraženými otvory kabelovou spojkou.
5. Vyměňte plastový vak na prach.
6. Sběrnou nádobu vyčistěte hadrem.
7. Do sběrné nádoby připevněte nový vak na prach (návod na potisku).
8. Hlavu vysavače nasadte na sběrnou nádobu a zavřete obě uzavírací spony.

6.8 Vysávání kapalin

⚠ POZOR

Nebezpečí poškození zdraví zdraví škodlivým prachem! Bez použití filtrační vložky může unikat nebezpečný vysátý materiál.

- ▶ Vysavač používejte jen s nasazenou filtrační vložkou.

1. Zkontrolujte kontrolu stavu naplnění. → Strana 61
2. Pro mokré sání používejte pokud možno samostatnou filtrační vložku.



Doporučujeme filtr **Hilti VC 20/40 universal** (2121387).

3. Po vysávání kapalin otevřete obě uzavírací spony.
4. Ze sběrné nádoby sejměte hlavu vysavače a postavte ji na rovný podklad, aby mohla filtrační vložka vyschnout.
5. Vyprázdněte sběrnou nádobu a vyčistěte ji hadicí na vodu. Kartáčkem vyčistěte elektrody a filtrační vložku po předchozím uschnutí otřete rukou.
6. Nechte sběrnou nádobu vyschnout.

6.9 Po vysávání

1. Vypněte elektrické nářadí.
2. Spínač vysavače otočte do polohy "OFF".
3. Vytáhněte síťovou zástrčku vysavače ze zásuvky.
4. Přívodní kabel stočte a zavěste na hák na kabel.
5. Vyprázdněte sběrnou nádobu a zařízení vyčistěte vlhkým hadrem.



6. Stočte hadici.
7. Vysavač odstavte v suché místnosti tak, aby bylo chráněno před neoprávněným použitím.

6.10 Vyprázdnění sběrné nádoby při vysávání suchého prachu

1. Vytáhněte síťovou zástrčku ze zásuvky.
2. Hlavu vysavače sejměte ze sběrné nádoby a postavte ji na rovný podklad.
3. Pokud existuje následující výbava, proveďte navíc tuto činnost:

VC 20-UM
VC 20-UME
VC 40-UM
VC 40-UME

- ▶ Ze sběrné nádoby vyjměte vak na prach.
4. Pokud existuje následující výbava, proveďte navíc tuto činnost:

VC 20-U
VC 20-UL
VC 40-UL

- ▶ Vyjměte ze sběrné nádoby vak na prach nebo uchopte nádobu za prohlubně a nakloňte ji tak, abyste ji vyprázdnili.
5. Na sběrnou nádobu nasadte hlavu vysavače a zavřete obě uzavírací spony.

6.11 Vyprázdnění sběrné nádoby bez vaku na prach (u kapalin)

1. Vytáhněte síťovou zástrčku ze zásuvky.
2. Hlavu vysavače sejměte ze sběrné nádoby a postavte ji na rovný podklad.
3. Uchopte nádobu za prohlubně a nakloňte ji tak, abyste ji vyprázdnili.
4. Okraj sběrné nádoby vyčistěte hadrem.
5. Hlavu vysavače nasadte na sběrnou nádobu a zavřete obě uzavírací spony.

7 Ošetřování, údržba, přeprava a skladování

7.1 Ošetřování zařízení



VÝSTRAHA

Nebezpečí způsobené elektrickým proudem! Neodborné opravy elektrických součástí mohou způsobit těžká poranění v důsledku zásahu elektrickým proudem.

- ▶ Opravy elektrických součástí svěřujte pouze odborníkovi s elektrotechnickou kvalifikací.
-
- ▶ **Zařízení, zejména držadla, udržujte suché, čisté a beze stop oleje a tuku. Nepoužívejte ošetřovací prostředky s obsahem silikonu.**
 - ▶ Nikdy nepoužívejte vysavač s ucpanými ventilačními šterbinami! Ventilační šterbiny opatrně čistěte suchým kartáčem. Nepřipusťte, aby se dovnitř zařízení dostaly nějaké předměty.
 - ▶ Vnější povrch zařízení čistěte pravidelně mírně navlhčeným hadříkem. K čištění nepoužívejte postřikovač, parní čistič nebo tekoucí vodu, protože by mohla být ohrožena elektrická bezpečnost zařízení.

VC 20-UL
VC 20-UM
VC 20-UME
VC 40-UL
VC 40-UM
VC 40-UME

Při údržbě a čištění se musí se zařízením zacházet tak, aby nevznikalo nebezpečí pro personál provádějící údržbu a další osoby.

- ▶ Používejte filtrované nucené odvětrávání.
- ▶ Noste ochranný oděv.
- ▶ Oblast provádění údržby čistěte tak, aby do okolního prostředí neunikaly žádné nebezpečné látky.
- ▶ Než zařízení odstraníte z oblasti zatížené nebezpečnými látkami, vysajte jeho povrch, důkladně ho otřete nebo neprodyšně zabalte. Zabraňte přitom šíření usazeného nebezpečného prachu.
- ▶ Při provádění údržby a oprav zabalte všechny znečištěné díly, které nebylo možno dostatečně vyčistit, do neprodyšných pytlů a zlikvidujte je v souladu s předpisy platnými pro likvidaci.



- ▶ Minimálně jednou ročně nechte v servisu **Hilti** nebo vyškolenou osobou provést technickou kontrolu prašnosti, například poškození filtru, vzduchotěsnosti zařízení a funkce kontrolních zařízení.

7.2 Automatické čištění filtru



Filtrační vložku nečistěte klepáním o tvrdé předměty ani pomocí tvrdých či ostrých předmětů. Zkracuje se tím životnost filtrační vložky.

Filtrační vložka se nesmí čistit vysokotlakým čističem. Ve filtračním materiálu by mohly vzniknout trhliny.

Filtrační vložka je díl podléhající opotřebení.

- ▶ Filtrační vložku vyměňujte minimálně jednou za půl roku.
- ▶ Při intenzivním používání vyměňujte filtrační vložku častěji.

7.3 Výměna filtrační vložky

1. Vytáhněte síťovou zástrčku ze zásuvky.
2. Otevřete uzavírací sponu krytu filtru.
3. Otevřete kryt filtru.
4. Filtrační vložku opatrně vyjměte za prohlubně v držáku.
5. Těsnicí plochu vyčistěte hadrem.
6. Vložte novou filtrační vložku.
7. Zavřete kryt filtru sklopením aretace víka dopředu.
8. Zavřete uzavírací sponu krytu filtru.

7.4 Kontrola stavu naplnění

1. Pro bezpečnou stabilitu vysavače zajistěte brzdy koleček.
2. Vytáhněte síťovou zástrčku ze zásuvky.
3. Otevřete obě uzavírací spony.
4. Hlavu vysavače sejměte ze sběrné nádoby a postavte ji na rovný podklad.
5. Zkontrolujte, zda nejsou vypínací kontakty znečištěné, a případně je vyčistěte kartáčkem.
6. Zkontrolujte těsnění hlavy vysavače, zda není znečištěné, a případně ho vyčistěte hadrem.
7. Hlavu vysavače nasadte na sběrnou nádobu a zavřete obě uzavírací spony.

7.5 Kontrola po čištění a údržbě

1. Po provedení čištění a údržby zkontrolujte, zda je vysavač správně sestavený a bezvadně funguje.
2. Proveďte test funkčnosti.

7.6 Přeprava

Plný vysavač se nesmí přenášet.

Zařízení se nesmí zavěšovat na jeřáb.

- ▶ Případně odstraňte z držáku Power Conditioner nebo volné nářadí.
- ▶ Než budete vysavač přenášet na jiné místo, vyprázdněte ho.
- ▶ Zařízení nenaklápějte a nepřepravujte ho položené na boku, pokud jste vysávali kapalinu.
- ▶ Při přepravě spojte oba konce hadice dohromady pomocí kuželového adaptéru.

VC 20-UM
VC 20-UME
VC 40-UM
VC 40-UME



VÝSTRAHA

Nebezpečí poškození zdraví škodlivým prachem! Ze sacího hrdla může unikat nebezpečný vysátý materiál.

- ▶ Při přepravě a pokud vysavač nepoužíváte, uzavřete sací hrdlo uzavírací objímkou.

7.7 Skladování

- ▶ Vysavač odstavte v suché místnosti tak, aby bylo chráněno před neoprávněným použitím.



8 Pomoc při poruchách

V případě poruch, které nejsou uvedené v této tabulce nebo které nemůžete odstranit sami, se obraťte na náš servis **Hilti**.

8.1 Pomoc při poruchách

Porucha	Možná příčina	Řešení
VC 20-UM VC 20-UME VC 40-UM VC 40-UME	Plný vak na prach.	<ul style="list-style-type: none"> ▶ Vyměňte papírový vak na prach. → Strana 59 ▶ Vyměňte plastový vak na prach. → Strana 59
Bei UM- und UME-Saugern Akustický výstražný signál (snížený sací výkon)	Filtrační vložka je silně znečištěná.	<ul style="list-style-type: none"> ▶ Pokud je deaktivované automatické čištění filtru, aktivujte ho a nechte vysavač běžet 30 sekund. ▶ Vyměňte filtrační vložku. → Strana 61
	Ucpaná sací hadice nebo odsávací kryt elektrického nářadí.	▶ Vyčistěte sací hadici a odsávací kryt.
	Nastavení průměru hadice v nesprávné poloze.	▶ Nastavte průměr hadice.
Vysavač vypouští prach.	Filtrační vložka není správně namontovaná.	▶ Namontujte filtrační vložku znovu.
	Filtrační vložka je poškozená.	▶ Namontujte novou filtrační vložku.
Zařízení se nechtěně zapíná a vypíná nebo dochází k přenosu elektrostatických výbojů na uživatele.	Není zabezpečeno odvádění elektrostatické elektřiny, zařízení není připojené k uzemněné zásuvce.	▶ Připojte zařízení k uzemněné zásuvce, použijte antistatickou hadici.
Zařízení neběží nebo se po krátkém rozběhnutí vypne.	Zareagovalo vypnutí vody.	▶ Sondy a jejich okolí vyčistěte kartáčkem.
Motor neběží.	Zareagovala pojistka síťové zásuvky.	<ul style="list-style-type: none"> ▶ Zapněte pojistku. ▶ V případě opětovného zareagování pojistky zjistěte příčinu proudového přetížení.
	Plná sběrná nádoba.	<ul style="list-style-type: none"> ▶ Vypněte zařízení a vyprázdněte sběrnou nádobu. ▶ Vyprázdněte sběrnou nádobu. → Strana 60
	Zareagovala tepelná pojistka motoru.	<ul style="list-style-type: none"> ▶ Zařízení vypněte a nechte ho cca 5 minut vychladnout. ▶ Pokud se motor nerozběhne, dejte zařízení do servisu Hilti.
	Tepelná pojistka motoru opakovaně vypíná motor, protože jsou znečištěné ventilační štěrby.	▶ Ventilační štěrby opatrně vyčistěte suchým kartáčkem.
Motor neběží v automatickém režimu.	Připojené nářadí je vadné nebo není správně zapojené.	▶ Zkontrolujte funkci připojeného nářadí a pevně zapojte síťovou zástrčku.
Automatické čištění filtrační vložky nefunguje.	Není připojená sací hadice.	▶ Připojte sací hadici.

9 Likvidace

Výrobky **Hilti** jsou vyrobené převážně z recyklovatelných materiálů. Předpokladem pro recyklaci materiálů je jejich řádné třídění. V mnoha zemích odebírá **Hilti** stará zařízení k recyklaci. Informujte se v servisu **Hilti** nebo u prodejního poradce.



Podle evropské směrnice o odpadních elektrických a elektronických zařízeních a odpovídajících ustanovení právních předpisů jednotlivých zemí se opotřebovaná elektrická zařízení musí shromažďovat odděleně od ostatního odpadu a odevzdat k ekologické recyklaci.



- ▶ Elektrická zařízení nevyhazujte do komunálního odpadu!

Vrtný kal

Z hlediska ochrany životního prostředí je problematické odvádět vrtný kal do povrchových vod nebo do kanalizace bez vhodné předběžné úpravy.

- ▶ Informujte se u místních úřadů o platných předpisech.

Doporučujeme následující předběžnou úpravu:

- ▶ Zachycujte vrtný kal (například pomocí vysavače na mokré sání).
- ▶ Nechte vrtný kal usadit a pevnou složku zlikvidujte na skládce stavební suti (proces odlučování mohou urychlit vločkovací prostředky).
- ▶ Před odvedením zbývající vody (zásaditá, hodnota pH > 7) do kanalizace ji neutralizujte přidáním kyselých neutralizačních prostředků nebo zředěním velkým množstvím vody.

Prach z vrtní

- ▶ Nahromaděný prach z vrtní zlikvidujte v souladu s platnými národními zákonnými předpisy.

10 Čína RoHS (směrnice o omezení používání nebezpečných látek)

Pod následujícím odkazem najdete tabulku s nebezpečnými látkami: r4635725 (VC 20) r4635725 a (VC 40). Odkaz na tabulku Roh S najdete na konci této dokumentace jako QR kód.

11 Záruka výrobce

- ▶ V případě otázek ohledně záručních podmínek se obraťte na místního partnera **Hilti**.

Originální návod na obsluhu

1 Informácie o návode na obsluhu

1.1 O tomto návode na obsluhu

- Pred uvedením do prevádzky si prečítajte tento návod na obsluhu. Je to predpokladom na bezpečnú prácu a bezproblémovú manipuláciu.
- Dodržujte bezpečnostné pokyny a varovania v návode na obsluhu a na výrobku.
- Tento návod na obsluhu uchovávajte vždy s výrobkom a ďalším osobám odovzdávajte výrobok iba s týmto návodom na obsluhu.

1.2 Vysvetlenie značiek

1.2.1 Výstražné upozornenia

Výstražné upozornenia varujú pred rizikami pri zaobchádzaní s výrobkom. Používajú sa nasledujúce signálne slová:

NEBEZPEČENSTVO

NEBEZPEČENSTVO !

- ▶ Na označenie bezprostredne hroziaceho nebezpečenstva, ktoré môže spôsobiť ťažký úraz alebo smrť.

VAROVANIE

VAROVANIE !

- ▶ Označenie možného hroziaceho nebezpečenstva, ktoré môže viesť k ťažkým poraneniam alebo usmrteniu.



⚠ POZOR

POZOR !

- Označenie možnej nebezpečnej situácie, ktorá môže viesť k telesným poraneniam alebo k vecným škodám.

1.2.2 Symboly v dokumentácii

V našej dokumentácii sa používajú nasledujúce symboly:

	Pred použitím si prečítajte návod na použitie
	Pozor
	Upozornenia týkajúce sa používania a iné užitočné informácie
	Zaobchádzanie s recyklovateľnými materiálmi
	Elektrické zariadenia a akumulátory nevyhadzujte do komunálneho odpadu

1.2.3 Symboly na obrázkoch

Na našich vyobrazeniach sa používajú nasledujúce symboly:

2	Tieto čísla odkazujú na príslušné vyobrazenie na začiatku tohto návodu
3	Číslovanie udáva poradie pracovných úkonov na obrázku a môže sa odlišovať od číslovania pracovných úkonov v texte.
11	Číslo pozícií sa používajú v obrázku Prehľad a odkazujú na čísla legendy v odseku Prehľad výrobkov .
	Tento symbol by mal u vás vzbudiť mimoriadnu pozornosť pri zaobchádzaní s výrobkom.

1.3 Symboly na produktoch

1.3.1 Symboly na výrobku

Na výrobku sa používajú nasledujúce symboly:

	Výstraha pred horúcim povrchom
	Zákaz transportu žeriavom

1.4 Na zariadení

VC 20-UL
VC 40-UL



VÝSTRAHA: Toto zariadenie obsahuje zdraviu nebezpečný prach. Vyprázdňovanie a údržbu, vrátane odstraňovania vrečka na prach smú vykonávať iba osoby s odborným vzdelaním, ktoré nosia vhodnú osobnú ochrannú výbavu. Nezapínajte dovtedy, kým nie je nainštalovaný kompletný filtračný systém.





VÝSTRAHA: Toto zariadenie obsahuje zdraviu nebezpečný prach. Vyprázdňovanie a údržbu, vrátane odstraňovania vrecka na prach smú vykonávať iba osoby s odborným vzdelaním, ktoré nosia vhodnú osobnú ochrannú výbavu. Nezapínajte dovtedy, kým nie je nainštalovaný kompletný filtračný systém a nebola overená funkcia kontroly objemového toku.

1.5 Informácie o výrobku

Výrobky značky **Hilti** sú určené pre profesionálneho používateľa a smie ich obsluhovať, udržiavať a opravovať iba autorizovaný vyškolený personál. Tento personál musí byť špeciálne poučený o rizikách a nebezpečenstvách, ktoré sa môžu vyskytnúť. Výrobok a jeho pomocné prostriedky sa môžu stať zdrojom nebezpečenstva v prípade, že s nimi bude manipulovať personál bez vzdelania, neodborným spôsobom alebo ak sa nebudú používať v súlade s určením.

Typové označenie a sériové číslo sú uvedené na typovom štítku.

- ▶ **Zaznamenajte si sériové číslo do nasledujúcej tabuľky.** Údaje výrobku budete potrebovať pri dopytoch adresovaných nášmu zastúpeniu alebo servisu.

Údaje o výrobku → strana 65

Údaje o výrobku

Vysávač na vysávanie namokro/nasucho	VC 20-U VC 20-UL VC 20-UM VC 20-UME VC 40-U VC 40-UL VC 40-UM VC 40-UME
Generácia	02
Sériové číslo	

1.6 Vyhlásenie o zhode

Na vlastnú zodpovednosť vyhlasujeme, že tu opísaný výrobok sa zhoduje s nasledujúcimi smernicami a normami. Vyobrazenie vyhlásenia o zhode nájdete na konci tejto dokumentácie.

Technické dokumentácie sú uložené tu:

Hilti Entwicklungsgesellschaft mbH | Zulassung Geräte | Hiltistraße 6 | 86916 Kaufering, DE

2 Bezpečnosť

2.1 Bezpečnostné upozornenia

2.1.1 Všeobecné bezpečnostné upozornenia

Okrem bezpečnostných upozornení v jednotlivých kapitolách tohto návodu na obsluhu je potrebné vždy striktné dodržiavať nasledujúce nariadenia.

- ▶ **Prečítajte si všetky upozornenia!** Nerešpektovanie nasledujúcich upozornení môže viesť k úrazu elektrickým prúdom, požiaru a/alebo závažným poraneniam.
- ▶ **Pri používaní zariadenia v spojení s elektrickým náradím si pred použitím prečítajte návod na obsluhu elektrického náradia a rešpektujte všetky upozornenia.**
- ▶ **Manipulácie alebo zmeny na zariadení nie sú dovolené.**
- ▶ **Používajte vhodné zariadenie.** Zariadenie nepoužívajte na také účely, na ktoré nie je určené, používajte ho iba v súlade s určením a ak je v bezchybnom stave.
- ▶ **Pred prácou so zariadením sa informujte o manipulácii s ním, o nebezpečenstvách, ktoré môžu pochádzať z materiálu a o likvidácii povysávaného materiálu.**
- ▶ **Zohľadnite vplyvy vonkajšieho prostredia.** Zariadenie nepoužívajte tam, kde hrozí riziko požiaru alebo výbuchu.



- ▶ Zariadenie smú používať iba osoby, ktoré sú s ním oboznámené, boli poučené o bezpečnom používaní a rozumejú nebezpečenstvám či rizikám, ktoré z toho vyplývajú. Zariadenie nie je určené pre deti.
- ▶ Nepoužívané zariadenia odkladajte na bezpečnom mieste a bezpečným spôsobom. Nepoužívané zariadenia by sa mali odložiť na suchom, vyvýšenom alebo uzatvorenom mieste, mimo dosahu detí.

2.1.2 Bezpečnosť osôb

- ▶ **Bud'te pozorní, dávajte pozor na to, čo robíte a pri práci s výrobkom postupujte s rozvahou. Vysávač nepoužívajte vtedy, keď ste unavení alebo pod vplyvom drog, alkoholu alebo liekov.** Aj moment nepozornosti pri používaní zariadenia môže viesť k vzniku závažných poranení.
- ▶ **Používateľ a osoby zdržiavajúce sa v blízkosti používania a údržby zariadenia používajú vhodné ochranné okuliare, ochrannú prilbu, chrániče sluchu, ochranné rukavice, bezpečnostnú obuv a ľahkú masku na ochranu dýchacích ciest.**
- ▶ **Kvôli bezpečnému státiu vysávača aktivujte brzdy koliesok.** Pri uvoľnených brzdách koliesok sa môže vysávač nekontrolovane uviesť do pohybu.
- ▶ **Ak je možné namontovať zariadenia na odsávanie a zachytávanie prachu, presvedčíte sa, že tieto zariadenia sú pripojené a používajú sa správne.** Používanie odsávania prachu môže znižovať ohrozenia vyvolané prachom.

2.1.3 Starostlivé zaobchádzanie a používanie zariadenia

- ▶ Zariadenie nikdy nenechávajte bez dozoru.
- ▶ Pri vysávaní nebezpečného prachu nedeaktivujte čistenie filtra, najmä pri používaní elektrického náradia vytvárajúceho prach.
- ▶ Zariadenie chráňte pred mrazom.
- ▶ Zariadenie na obmedzovanie stavu vody pravidelne čistite podľa pokynov, s použitím kľu a skontrolujte výskyt náznakov jeho poškodenia.
- ▶ Pri nasadzovaní hlavy vysávača dávajte pozor na to, aby nedošlo k zacviknutiu a aby ste nepoškodili sieťový kábel. Hrozí riziko poranenia a poškodenia.
- ▶ Kontrolujte výskyt prípadných poškodení na zariadení a príslušenstve. Pred ďalším používaním sa musia ochranné zariadenia alebo mierne poškodené diely starostlivo skontrolovať, či fungujú bezchybne a v súlade s ich určením. Skontrolujte, či pohyblivé diely fungujú bezchybne a nezasekávajú sa, alebo či nie sú jednotlivé diely poškodené. Všetky diely musia byť správne namontované a musia spĺňať všetky podmienky na zaručenie bezchybného prevádzkovania zariadenia.
- ▶ Vaše zariadenie nechajte opravovať iba kvalifikovaným odborným personálom a iba s použitím originálnych náhradných dielov. Tak je možné zaistiť, aby zostala zachovaná bezpečnosť zariadenia.
- ▶ Pri nepoužívaní zariadenia (počas prestávok v práci), pred údržbou a opravami, pred výmenou častí príslušenstva alebo pred výmenou filtra vždy vytiahnite sieťovú zástrčku zo zásuvky. Toto bezpečnostné opatrenie zabraňuje neúmyselnému spusteniu zariadenia.
- ▶ Vysávač nikdy neťahajte do inej pracovnej pozície za sieťový kábel. Neprechádzajte vysávačom cez sieťový kábel.
- ▶ Zariadenie neprepravujte pomocou žeriava.

VC 20-UM
VC 20-UME
VC 40-UM
VC 40-UME

- ▶ Pri preprave a nepoužívaní zariadenia uzatvorte vstupnú tvarovanú prípojku uzatváracím prvkom.

2.1.4 Elektrická bezpečnosť

- ▶ Pripájacia zástrčka zariadenia musí byť vhodná do danej zásuvky. Zástrčka sa nesmie žiadnym spôsobom meniť. Spolu so zariadeniami s ochranným uzemnením nepoužívajte žiadne zástrčkové adaptéry. Nezmenené zástrčky a vhodné zásuvky znižujú riziko úrazu elektrickým prúdom.
- ▶ Zástrčku zapojte do vhodnej uzemnenej zásuvky, ktorá je bezpečne nainštalovaná a spĺňa všetky lokálne predpisy. Pokiaľ si nie ste istí, či je zásuvka uzemnená, dajte ju skontrolovať kvalifikovanému odborníkovi na elektrické zariadenia.
- ▶ Zabráňte telesnému kontaktu s uzemnenými povrchmi, ako sú rúry, kúrenia, sporáky a chladničky. Pri uzemnení vášho tela hrozí zvýšené riziko úrazu elektrickým prúdom.
- ▶ Zariadenie nevystavujte dažďu alebo vlhkosti. Vniknutie vody do elektrického zariadenia zvyšuje riziko úrazu elektrickým prúdom.



- ▶ Uistite sa o tom, že sieťový kábel neleží v kalužiach.
- ▶ Pripájacie vedenie zariadenia pravidelne kontrolujte a v prípade poškodenia ho nechajte vymeniť servisným strediskom Hilti. Pravidelne kontrolujte predlžovacie vedenia a ak sú poškodené, vymeňte ich.
- ▶ Pokiaľ dôjde pri práci k poškodeniu sieťového pripájacieho vedenia a/alebo predlžovacieho kábla, nesmiete sa ich dotýkať. Vytiahnite sieťovú zástrčku zo zásuvky. Poškodené sieťové pripájacie vedenia a predlžovacie káble predstavujú nebezpečenstvo úrazu elektrickým prúdom.
- ▶ Sieťové pripájacie vedenie sa smie vymeniť výlučne za typ uvedený v návode na obsluhu.
- ▶ Kábel nepoužívajte na účely, na ktoré nie je určený, na prenášanie, zavesenie zariadenia alebo na vyťahovanie zástrčky zo zásuvky. Chráňte kábel pred vysokou teplotou, olejom, ostrými hranami alebo pred pohybujúcimi sa časťami zariadenia. Poškodené alebo zauzlené káble zvyšujú riziko úrazu elektrickým prúdom.
- ▶ Pri práci s elektrickým zariadením vo vonkajšom prostredí používajte iba predlžovacie káble vhodné aj do vonkajšieho prostredia. Používanie predlžovacieho kábla vhodného aj do vonkajšieho prostredia znižuje riziko úrazu elektrickým prúdom.
- ▶ Pri prerušení dodávky elektrického prúdu vypnite zariadenie a vytiahnite sieťovú zástrčku.
- ▶ Zásuvku zariadenia používajte len na účely uvedené v návode na obsluhu.
- ▶ Zariadenie nikdy neprevádzkujte v znečistenom alebo vlhkom stave. Prach zachytený na povrchu zariadenia, predovšetkým vodivými materiálmi, alebo vlhkosť môžu za nepriaznivých podmienok viesť k úrazu elektrickým prúdom. Znečistené zariadenia preto dajte v pravidelných intervaloch prekontrolovať v servise Hilti, najmä ak často opravovávate vodivé materiály.

2.1.5 Pracovisko

- ▶ Zabezpečte dostatočné osvetlenie pracoviska.
- ▶ Zabezpečte dobré vetranie pracoviska. Nedostatočne vetrané pracoviská môžu spôsobiť ujmy na zdraví v dôsledku zaťaženia prachom.
- ▶ Na pracovisku udržiavajte poriadok. Z okolia pracoviska odstráňte predmety, o ktoré by ste sa mohli poraniť. Neporiadok v oblasti vykonávania prác môže mať za následok vznik úrazu.
- ▶ So zariadením nepracujte v prostredí s hrozbou výbuchu, v ktorom sa nachádzajú horľavé kvapaliny, plyny alebo prach. Elektrické zariadenia vytvárajú iskry, od ktorých sa môže vznietiť prach alebo výpary.
- ▶ Obzvlášť opatrní buďte pri práci na schodoch.

2.1.6 Vysávaný materiál

- ▶ Zdravie ohrozujúci, horľavý a/alebo výbušný prach sa nesmie vysávať (horčíkovo-hliníkový prach atď.). Materiály, ktoré majú teplotu vyššiu ako 60 °C, sa nesmú vysávať (napríklad tlejúce cigarety, horúci popol).
- ▶ Horľavé, výbušné, agresívne kvapaliny sa nesmú vysávať (chladiace a mazacie prostriedky, benzín, rozpúšťadlá, kyseliny (pH < 5), lúhy (pH > 12,5) atď.).
- ▶ Pri unikaní peny alebo kvapalín zariadenie ihneď vypnite.
- ▶ Pri vysávaní horúceho materiálu do teploty max. 60 °C noste ochranné rukavice.
- ▶ Pri práci s minerálnym kalom z vrtania noste ochranný odev a zabránite kontaktu s pokožkou (pH > 9, žieravé).
- ▶ Zabráňte kontaktu s alkalickými alebo kyslými kvapalinami. Pri náhodnom kontakte opláchnite vodou. Pri vniknutí kvapaliny do očí ich vypláchnite oči veľkým množstvom vody a dodatočne vyhľadajte lekársku pomoc.

VC 20-UL

VC 40-UL

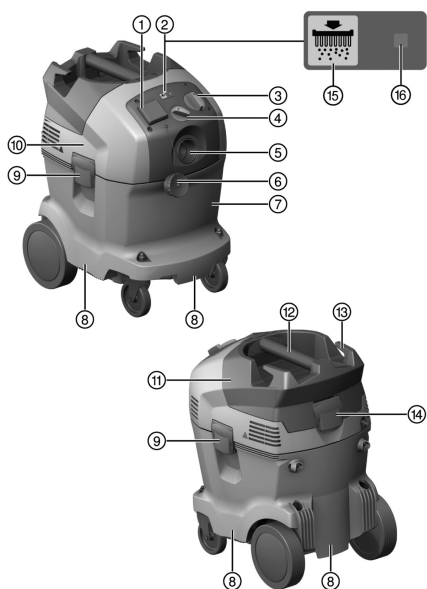
- ▶ Zariadenie v triede prachu L sa hodí na vysávanie/odsávanie suchých, nehorľavých druhov prachu, drevených pilín a triesok a nebezpečného prachu s hraničnými hodnotami expozície > 1 mg/m³. Podľa nebezpečnosti vysávaného/odsávaného prachu musí byť zariadenie vybavené vhodnými filtermi.



- Zariadenie v triede prachu M sa hodí na vysávanie/odsávanie suchých, nehorľavých druhov prachu, drevených pilín a triesok a nebezpečného prachu s hraničnými hodnotami expozície $\geq 0,1 \text{ mg/m}^3$. **Podľa nebezpečnosti vysávaného/odsávaného prachu musí byť zariadenie vybavené vhodnými filtermi.**

3 Opis

3.1 Prehľad výrobku



- ① Zásuvka na zariadení VC 20/40-UME, voliteľne pre VC 20/40-UL a VC 20/40-UL
- ② Automatické čistenie filtra
- ③ Prepínač zariadenia
- ④ Nastavenie priemeru hadice (VC 20-UM ALEBO VC 20-UME ALEBO VC 40-UM ALEBO VC 40-UME)
- ⑤ Vstupná tvarovaná prípojka
- ⑥ Uzavrací prvok pre vstupnú tvarovanú prípojku (VC 20-UM ALEBO VC 20-UME ALEBO VC 40-UM ALEBO VC 40-UME)
- ⑦ Nádobu na nečistoty
- ⑧ Úchopová priehlbina
- ⑨ Uzavracíacia spona
- ⑩ Hlava vysávača
- ⑪ Kryt filtra
- ⑫ Rukoväť
- ⑬ Hák na kábel
- ⑭ Uzavracíacia spona krytu filtra
- ⑮ Tlačidlo "Čistenie filtra ZAP/VYP"
- ⑯ Ukazovateľ stavu pre "Automatické čistenie filtra"

3.2 Používanie v súlade s určením

Výrobky opísané v tomto dokumente sú univerzálnymi priemyselnými vysávačmi, ktoré sú vhodné na profesionálne (priemyselné) použitie. Sú použiteľné na vysávanie nasucho aj namokro.

Výrobky značky **Hilti** sú určené pre profesionálneho používateľa a smie ich obsluhovať, udržiavať a opravovať iba autorizovaný, inštruovaný personál. Výrobok a jeho pomocné prostriedky sa môžu stať zdrojom nebezpečnosti v prípade, že s nimi bude manipulovať personál bez vzdelania, neodborným spôsobom alebo ak sa nebudú používať v súlade s určením.

Tento výrobok nepoužívajte na ľudí a zvieratá. Používanie pod vodou je zakázané.

- Pred prácou s týmto výrobkom sa informujte o manipulácii s ním, o nebezpečenstvách pochádzajúcich z materiálu a o bezpečnom likvidovaní materiálu.
- Výrobok nepoužívajte v stacionárnom, nepretržitom režime prevádzky, v automatických alebo poloautomatických systémoch.
- Používajte len originálne príslušenstvo a náradie od firmy **Hilti**, aby ste predišli nebezpečenstvám poranenia.
- Na zabránenie vytvárania elektrostatických efektov používajte antistatickú saciu hadicu.
- Nevysávajte žiadne predmety, ktoré môžu aj cez vrecko na prach spôsobiť poranenia (napríklad špicatý predmet alebo vysávaný materiál s ostrými hranami).
- Výrobok nepoužívajte ako náhradu rebriku.

Tento výrobok je pri profesionálnom (priemyselnom) používaní vhodný na nasledujúce použitie:



- Vysávanie veľkého množstva prachu vznikajúceho pri použití diamantových brúsok **Hilti**, rezacích brúsok, vrtacích kladív a vrtacích korúnok na vrtanie nasucho.
- Vysávanie minerálneho kalu z vrtania vznikajúceho pri použití diamantových vrtacích korúnok **Hilti** alebo diamantových pil **Hilti** a tekutých nasávaných materiálov až do teploty < 60 °C (140 °F).
- Vysávanie oleja a tekutých médií až do teploty < 60 °C (140 °F).
- Čistenie plôch stien a podlahy, namokro a nasucho

Dodatočné použitie pre nasledujúce typy:

VC 20-UL
VC 40-UL

Tento výrobok je vhodný na nasledujúce použitie:

- Vysávanie suchých, nehorľavých druhov prachu, kvapalín, drevených pilín a triesok a nebezpečných druhov prachu s hraničnými hodnotami expozície na úrovni > 1 mg/m³ (trieda prachu L).

VC 20-UM
VC 20-UME
VC 40-UM
VC 40-UME

Tento výrobok je vhodný na nasledujúce použitie:

- Vysávanie suchých, nehorľavých druhov prachu, kvapalín, drevených pilín a triesok a nebezpečných druhov prachu s hraničnými hodnotami expozície na úrovni $\geq 0,1$ mg/m³ (trieda prachu M).



Pri vysávaní prachu s hraničnými hodnotami expozície musí byť v miestnosti zabezpečená dostatočná rýchlosť výmeny vzduchu, ak sa vzduch zo zariadenia privádza naspäť do miestnosti. S použitím vhodného vysávača sa smú vysávať iba látky ohrozujúce zdravie podľa štandardu IEC 60335-2-69 (trieda L/M). Vysávanie všetkých ostatných látok ohrozujúcich zdravie je zakázané. Vysávanie oleja a tekutých médií s teplotou ≥ 60 °C (140 °F) je zakázané.

3.3 Možné chybné používanie

- Priemyselný vysávač sa nesmie prevádzkovať v pozícii nalezato.
- Priemyselný vysávač sa nesmie používať na vysávanie látok s nebezpečenstvom výbuchu, žeravých, horiacich, horúcich alebo zápalných látok a agresívnych druhov prachu (napríklad horčíkovo-hliníkový prach atď.). Výnimku tvoria: drevené triesky a piliny.
- Priemyselný vysávač sa nesmie používať na vysávanie horľavých kvapalín (napríklad benzínu, riedidiel, kyselín, chladiacich a mazacích prostriedkov atď.).
- Materiály ohrozujúce zdravie (napr. azbest) sa nesmú spracovávať.

3.4 Rozsah dodávky

Vysávač na vysávanie namokro/nasucho vrátane filtračného prvku, kompletná sacia hadica s otočným nastavcom (na strane vysávača) a nastavcom pre náradie, plastové vrečko na prach PE VC 20/40, návod na obsluhu.



Na bezpečnú prevádzku používajte len originálne náhradné diely a spotrebné materiály. Nami schválené náhradné diely, spotrebné materiály a príslušenstvo pre váš výrobok nájdete vo vašom centre **Hilti** alebo na stránke: www.hilti.group

3.5 Nastavenie priemeru hadice

VC 20-UM
VC 20-UME
VC 40-UM
VC 40-UME

Aby sa akustický výstražný signál aktivoval korektne, je potrebné nastaviť na prvku pre nastavovanie priemeru hadice priemer vami použitej sacej hadice.



3.6 Akustický výstražný signál

VC 20-UM
VC 20-UME
VC 40-UM
VC 40-UME

Ak rýchlosť vzduchu v sacej hadici klesne pod 20 m/s, z bezpečnostných dôvodov zaznie akustický výstražný signál.

3.7 Automatické čistenie filtra

Vysávač disponuje automatickým čistením filtra, pomocou ktorého sa z filtračného prvku čo najviac uvoľní zachytený prach.

Čistenie filtra sa dá vypnúť stlačením tlačidla "Automatické čistenie filtra ZAP/VYP" a opakovaným stlačením sa dá opäť zapnúť.

Stav	Význam
LED-dióda svieti.	Čistenie filtra je aktivované.
LED-dióda nesvieti.	Čistenie filtra je deaktivované.

Pri každom spustení vysávača sa čistenie filtra automaticky aktivuje.
Filtračný prvok sa automaticky čistí náporom vzduchu (pulzujúci zvuk).



Pri používaní v systéme (najmä pri brúsení, rezaní a vytváraní drážok) alebo pri nasávaní väčšieho množstva prachu musí byť aktivované čistenie filtra, aby bol možný trvalo vysoký sací výkon.
Čistenie filtra funguje len pri pripojenej sacej hadici.

3.8 Upozornenia týkajúce sa používania

Príslušenstvo a spôsoby jeho použitia

Príslušenstvo	Spôsob použitia
Plastové vrečko na prach PE VC 20 (203854)	použitie na minerálne látky, namokro a nasucho
Plastové vrečko na prach PE VC 40 (203852)	použitie na minerálne látky, namokro a nasucho
Papierové vrečko na prach VC 20 (203858)	použitie na drevo
Papierové vrečko na prach VC 40 (203856)	použitie na drevo
Suchý filter VC 20/40 (2121386)	nasucho
Filter VC 20/40 universal (2121387)	univerzálne, namokro a nasucho
Filter VC 20/40 performance (2121388)	intenzívne používanie namokro a nasucho
Sacia hadica 27 x 3,5 m AS	namokro a nasucho
Sacia hadica 36 mm	prevažne namokro, žiadne používanie na prach
Sacia hadica 36 x 5 m AS	namokro a nasucho

VC 20-UM
VC 20-UME
VC 40-UM
VC 40-UME

- Bezpodmienečne používajte plastové vrečko na prach alebo papierové vrečko na prach.

4 Technické údaje

	VC 20	VC 40
Frekvencia siete	50 Hz ... 60 Hz	50 Hz ... 60 Hz
Hmotnosť podľa štandardu EPTA 01/2003	13 kg	14,7 kg
Rozmer	530 mm x 380 mm x 490 mm	510 mm x 380 mm x 610 mm
Objem nádoby	21 ℓ	36 ℓ
Užitočný objem prachu	23 kg	40 kg



	VC 20	VC 40
Užitočný objem vody	13,5 ℓ	25 ℓ
Prevádzková teplota	-10 °C ... 40 °C pre použitie nasucho	-10 °C ... 40 °C pre použitie nasucho
Automatické čistenie filtra	15 s	15 s
Trieda ochrany	I	I
Druh ochrany	IP X4	IP X4

4.1 Menovité napätie

i Pri prevádzkovaní s generátorom alebo transformátorom musí byť jeho výstupný (podávaný) výkon minimálne dvojnásobne vyšší ako je menovitý príkon, ktorý je uvedený na typovom štítku zariadenia. Prevádzkové napätie transformátora alebo generátora musí byť neustále v rozsahu +5 % a -15 % menovitého napätia zariadenia.

Menovité napätie	100 V	110 V	110 V	200 V
Menovitý príkon	1 200 W	1 200 W	1 100 W	950 W
Pripájací výkon zásuvky integrovanej v zariadení, pre elektrické náradie (ak je k dispozícii)		1 600 W		
Sieťové pripojenie (typ)	VCTF 3x 2,0 mm ²	A07 QQ-F 3 / 12 AWG	H07 BQ-F 3G 1,5 mm ²	VCTF 3x 2,0 mm ²

Menovité napätie	220 – 240 V	220 – 240 V (CH)	220 – 240 V (GB)	240 V (NZ)
Menovitý príkon	1 200 W	1 200 W	1 200 W	1 200 W
Pripájací výkon zásuvky integrovanej v zariadení, pre elektrické náradie (ak je k dispozícii)	2 400 W	1 100 W	1 800 W	1 200 W
Sieťové pripojenie (typ)	H07 RN-F 3G 1,5 mm ²	H07 RN-F 3G 1,5 mm ²	H07 RN-F 3G 1,5 mm ²	H07 RN-F 3G 1,5 mm ²

4.2 Maximálny objemový tok a maximálny podtlak

		VC 20-UL	VC 40-UL	VC 20-UM	VC 20-UME
Maximálny objemový tok (vzduch)	1 100 W	135 m ³ /h	135 m ³ /h	135 m ³ /h	135 m ³ /h
	1 200 W	145 m ³ /h	145 m ³ /h	145 m ³ /h	145 m ³ /h
Maximálny podtlak	1 100 W	22,0 kPa	22,0 kPa	22,0 kPa	•/•
	1 200 W	25,3 kPa	25,3 kPa	25,3 kPa	25,3 kPa

		VC 40-UM	VC 40-UME
Maximálny objemový tok (vzduch)	1 100 W	135 m ³ /h	135 m ³ /h
	1 200 W	145 m ³ /h	145 m ³ /h
Maximálny podtlak	1 100 W	22,0 kPa	22,0 kPa
	1 200 W	25,3 kPa	25,3 kPa

4.3 Informácie o hluku a vibráciách, merané podľa normy EN 60335-2-69

Nasledujúce údaje platia pre všetky priemyselné vysávače VC 20 a VC 40.



Úroveň emisií akustického tlaku (L_{pA})	71 dB(A)
Neistota hladiny akustického tlaku (K_{pA})	2,5 dB(A)
Hodnota emisií kmitania	< 2,5 m/s ²
Neistota (K)	je zohľadnená v hodnote emisií kmitania

5 Uvedenie do prevádzky

POZOR

Nebezpečenstvo poranenia v dôsledku nekontrolovaných pohybov! Pri uvoľnených brzdách koliesok sa môže vysávač nekontrolovane uviesť do pohybu.

- Kvôli bezpečnému státiu vysávača aktivujte brzdy koliesok.

5.1 Prvé uvedenie do prevádzky

1. Otvorte dve uzatváracie spony.
2. Zdvihnite hlavu vysávača z nádoby na nečistoty.
3. Vyberte diely príslušenstva z nádoby na nečistoty a z obalu.
4. Vložte vhodné vrečko na prach, postupujte podľa návodu.



Na vysávanie prachu s hraničnými hodnotami expozície na úrovni > 1 mg/m³ je potrebné používať vyhotovenie triedy L alebo M: plastové vrečko na prach pre minerálne druhy prachu, alebo papierové vrečko na prach pre drevené triesky a piliny.

Na vysávanie prachu s hraničnými hodnotami expozície na úrovni ≥ 0,1 mg/m³ je potrebné používať vyhotovenie triedy M: plastové vrečko na prach pre minerálne druhy prachu, alebo papierové vrečko na prach pre drevené triesky a piliny.

Na vysávanie prachu, ktorý nie je nebezpečný: plastové vrečko na prach.

5. Nasadte hlavu vysávača na nádobu na nečistoty a uzatvorte dve uzatváracie spony.
6. Presvedčte sa, že hlava vysávača je správne namontovaná a zaistená.
7. Pripojte saciu hadicu na zariadenie.

5.2 Vloženie papierového vrečka na prach pri vysávaní drevených triesok a pilín

1. Otvorte dve uzatváracie spony.
2. Zdvihnite hlavu vysávača z nádoby na nečistoty.
3. Vložte nové papierové vrečko na prach do adaptéra a ten pripevnite na nádobu na nečistoty.
4. Nasadte hlavu vysávača na nádobu na nečistoty.
5. Uzatvorte dve uzatváracie spony.
6. Presvedčte sa, že hlava vysávača je správne namontovaná a zaistená.
7. Pripojte saciu hadicu na zariadenie.

5.3 Vloženie plastového vrečka na prach

1. Otvorte dve uzatváracie spony.
2. Zdvihnite hlavu vysávača z nádoby na nečistoty.
3. Upevnite nové plastové vrečko na prach (návod je vytlačený) v nádobe na nečistoty.
4. Nasadte hlavu vysávača na nádobu na nečistoty a uzatvorte dve uzatváracie spony.

6 Obsluha

NEBEZPEČENSTVO

Nebezpečenstvo úrazu elektrickým prúdom. Ak nie je vysávač riadne pripojený, môže to viesť k usmrteniu alebo k vzniku závažných poranení.

- Vysávač pripájajte len na riadne uzemnený zdroj elektrického prúdu.



VAROVANIE

Nebezpečenstvo poranenia. V dôsledku poškodenia filtračného systému môže dôjsť k úniku zdraviu škodlivého prachu.

- ▶ V prípade núdze (napríklad pri prelomení filtra) vypnite vysávač, vytiahnite sieťovú zástrčku zo zásuvky a dajte vysávač pred ďalším použitím skontrolovať odborným personálom.

POZOR

Nebezpečenstvo poranenia v dôsledku nekontrolovaných pohybov! Pri uvoľnených brzdách koliesok sa môže vysávač nekontrolované uviesť do pohybu.

- ▶ Kvôli bezpečnému státiu vysávača aktivujte brzdy koliesok.

6.1 Použitie vysávačov triedy L alebo vysávačov triedy M

VC 20-UL
VC 20-UM
VC 20-UME
VC 40-UL
VC 40-UM
VC 40-UME

NEBEZPEČENSTVO

Nebezpečenstvo poranenia. Pri vysávačoch triedy L, triedy M a triedy H obsahuje vysávač zdraviu škodlivý prach.

- ▶ Práce spojené s vyprázdňovaním a údržbou, vrátane odstraňovania zberných nádob na prach, smú vykonávať iba odborníci. Noste zodpovedajúcu ochrannú výbavu.
- ▶ Predtým než vysávač odstránite z oblasti zaťaženej nebezpečnými látkami, povysávajte vonkajšiu stranu vysávača, dočista ho poutierajte alebo ho tesne zabaľte. Pretože všetky časti stroja musia byť považované za znečistené, ak sa odoberú z nebezpečnej oblasti, podniknite vhodné opatrenia na zabránenie šíreniu a rozptýleniu prachu.
- ▶ Vysávač nikdy neprevádzkujte bez úplného filtračného systému.

6.2 Nastavenie priemeru hadice

VC 20-UM
VC 20-UME
VC 40-UM
VC 40-UME

1. Pri vysávaní/odsávaní suchých, nehorľavých druhov prachu s hraničnými hodnotami expozície a pri vysávaní drevených triesok či pilín zosúlajte priemer sacej hadice s nastavením pozície prepínača re nastavenie priemeru hadice → strana 69.
2. Ak používate vysávač so systémom s dutým vrtákom **Hilti**, prepnite na najmenší priemer hadice.

6.3 Prevádzka bez využitia zásuvky na zariadení

1. Pred zasunutím sieťovej zástrčky sa uistite, že prepínač zariadenia sa nachádza na pozícii "OFF".
2. Zasuňte sieťovú zástrčku vysávača do zásuvky.
3. Prepínač zariadenia otočte na pozíciu "ON".

6.4 Prevádzka s využitím zásuvky na zariadení

Zásuvka tohto zariadenia je určená len na priame pripojenie elektrického náradia na vysávač. Pri používaní elektrického náradia pripojeného na zásuvku zariadenia je potrebné dodržať návod na obsluhu náradia a rešpektovať bezpečnostné upozornenia, ktoré sú v ňom obsiahnuté.

1. Vytiahnite sieťovú zástrčku vysávača zo zásuvky.
2. Skontrolujte, či sa maximálny príkon pripájaného elektrického náradia nachádza pod prípustným maximálnym výkonom zásuvky na zariadení, pozrite si kapitolu "Technické údaje" a nálepku na zásuvke zariadenia.
3. Pred zasunutím sieťovej zástrčky elektrického náradia sa uistite, že je elektrické náradie vypnuté.



4. Zasuňte sieťovú zástrčku elektrického náradia do zásuvky na zariadení.
5. Zasuňte sieťovú zástrčku vysávača do zásuvky.
6. Prepínač zariadenia otočte na pozíciu "Auto".
7. Zapnite elektrické náradie.



Po vypnutí elektrického náradia bude vysávač ešte krátko chviľu v činnosti, aby sa odsal aj prach nachádzajúci sa v sacej hadici.

6.5 Vysávanie suchého prachu



Pred vysávaním suchého prachu a najmä minerálnych druhov prachu je potrebné dbať na to, aby bolo v nádobe vždy vložené správne vrecko na prach. Povysávaný materiál možno potom čistiť a jednoduchým spôsobom zlikvidovať.



POZOR

Nebezpečenstvo zranenia z dôvodu zdraviu škodlivého prachu! Bez použitia filtračného prvku môže unikáť nebezpečný vysávaný materiál.

- ▶ Vysávač používajte iba s vloženým filtračným prvkom.
- ▶ Dávajte pozor na to, aby bol filtračný prvok suchý a aby bolo vložené vhodné vrecko na prach.

6.6 Výmena papierového vrecka na prach



NEBEZPEČENSTVO

Nebezpečenstvo poranenia. Ostré predmety by mohli preraziť vrecko na vysávaný materiál.

- ▶ Presvedčte sa, že nedošlo k prerazeniu vrecka na vysávaný materiál žiadnymi predmetmi.

1. Vytiahnite sieťovú zástrčku zo zásuvky.
2. Otvorte dve uzatváracie spony.
3. Zdvihnite hlavu vysávača z nádoby na nečistoty.
4. Pri papierovom vrecku na prach oddeľte objímku vrecka na prach opatrne od adaptéra.
5. Uzatvorte objímku vrecka na prach posuvným prvkom.
6. Vyčistite nádobu na nečistoty handrou.
7. Upevnite nové papierové vrecko na prach v nádobe na nečistoty.
8. Nasadte hlavu vysávača na nádobu na nečistoty a uzatvorte dve uzatváracie spony.

6.7 Výmena plastového vrecka na prach

1. Vytiahnite sieťovú zástrčku zo zásuvky.
2. Otvorte dve uzatváracie spony.
3. Zdvihnite hlavu vysávača z nádoby na nečistoty.
4. Uzatvorte plastové vrecko na prach pod vyrazenými otvormi použitím viazača káblov.
5. Vyberte plastové vrecko na prach.
6. Vyčistite nádobu na nečistoty handrou.
7. Upevnite nové plastové vrecko na prach (návod je vytlačený) v nádobe na nečistoty.
8. Nasadte hlavu vysávača na nádobu na nečistoty a uzatvorte dve uzatváracie spony.

6.8 Vysávanie kvapalín



POZOR

Nebezpečenstvo zranenia z dôvodu zdraviu škodlivého prachu! Bez použitia filtračného prvku môže unikáť nebezpečný vysávaný materiál.

- ▶ Vysávač používajte iba s vloženým filtračným prvkom.

1. Skontrolujte monitorovanie stavu naplnenia. → strana 76
2. Podľa možnosti použite samostatný filtračný prvok na používanie namokro.



Odporúčaný je filter **Hilti** VC 20/40 universal (2121387).



- Po vysávaní kvapalín otvorte dve uzatváracie spony.
- Zdvihnite hlavu vysávača z nádoby na nečistoty a postavte ju na rovný podklad tak, aby mohol filtračný prvok vyschnúť.
- Vyprázdňte nádobu na nečistoty a vyčistíte ju použitím hadice s vodou. Elektródy vyčistíte kefkou a filtračný prvok po predchádzajúcom vyschnutí očistíte pretretím rukou.
- Nechajte nádobu na nečistoty vyschnúť.

6.9 Po vysávaní

- Vypnite elektrické náradie.
- Otočte prepínač zariadenia na pozíciu "OFF".
- Vytiahnite sieťovú zástrčku vysávača zo zásuvky.
- Naviňte pripájacie vedenie a zaveste ho na hák pre kábel.
- Vyprázdňte nádobu a zariadenie vyčistite poutieraním vlhkou handrou.
- Naviňte hadicu.
- Vysávač odstavte v suchej miestnosti tak aby bol chránený pred použitím nepovolnými osobami.

6.10 Vyprázdňovanie nádoby na nečistoty pri suchom prachu

- Vytiahnite sieťovú zástrčku zo zásuvky.
- Zdvihnite hlavu vysávača z nádoby na nečistoty a postavte ju na rovný podklad.
- Keď existuje nasledovná výbava, vykonajte navyše túto činnosť:

VC 20-UM
VC 20-UME
VC 40-UM
VC 40-UME

- Vyberte vrečko na prach z nádoby na nečistoty.

- Keď existuje nasledovná výbava, vykonajte navyše túto činnosť:

VC 20-U
VC 20-UL
VC 40-UL

- Vyberte vrečko na prach z nádoby na nečistoty alebo siahnite na úchopové priehlbiny a vyprázdňte nádobu na nečistoty jej vyklopením.

- Nasadte hlavu vysávača na nádobu na nečistoty a uzatvorte dve uzatváracie spony.

6.11 Vyprázdňovanie nádoby na nečistoty bez vrečka na prach (pri kvapalinách)

- Vytiahnite sieťovú zástrčku zo zásuvky.
- Zdvihnite hlavu vysávača z nádoby na nečistoty a postavte ju na rovný podklad.
- Siahnite na úchopové priehlbiny a vyprázdňte nádobu na nečistoty jej vyklopením.
- Očistite okraj nádoby na nečistoty handrou.
- Nasadte hlavu vysávača na nádobu na nečistoty a uzatvorte dve uzatváracie spony.

7 Starostlivosť, oprava a údržba, preprava a skladovanie

7.1 Starostlivosť o zariadenie

VAROVANIE

Nebezpečenstvo úrazu elektrickým prúdom! Neodborné opravy elektrických súčastí môžu viesť k závažným zraneniam spôsobeným zásahom elektrickým prúdom.

- Opravy na elektrických častiach nechajte vykonávať len odborníkom na elektrické zariadenia.

- **Zariadenie a predovšetkým úchopové plochy udržiavajte suché, čisté a bez prítomnosti oleja a tuku. Nepoužívajte čistiacie a údržbové prostriedky obsahujúce silikón.**
- Vysávač nikdy neprevádzkujte s upchatými štrbinami slúžiacimi na odvetrávanie! Štrbiny na odvetrávanie opatrne vyčistíte suchou kefkou. Zabráňte vniknutiu cudzích predmetov do vnútra zariadenia.
- Vonkajšiu stranu zariadenia pravidelne čistíte mierne navlhčenou handrou. Na čistenie nepoužívajte rozprašovač, parný čistič alebo tečúcu vodu, pretože by sa tým mohla ohroziť elektrická bezpečnosť zariadenia.



Pri údržbe a čistení sa so zariadením musí zaobchádzať tak, aby nevzniklo žiadne riziko pre personál vykonávajúci údržbu a pre iné osoby.

- ▶ Používajte nútené vetranie s filtráciou.
- ▶ Používajte ochranný odev.
- ▶ Oblasť údržby vyčistíte tak, aby sa do okolia nedostali žiadne nebezpečné látky.
- ▶ Pred odstránením zariadenia z oblasti s nebezpečnými látkami, povysávajte vonkajší obal zariadenia, dočista ho poutierajte alebo zariadenie tesne zabaľte. Tým zabránite šíreniu usadeného, nebezpečného prachu.
- ▶ Pri údržbových a opravárenských prácach zabaľte všetky znečistené diely, ktoré nebolo možné uspokojivo vyčistiť, do nepriepustných vriec a zlikvidujte ich v súlade s predpismi platnými pre odstraňovanie.
- ▶ Minimálne jedenkrát ročne nechajte servisom firmy **Hilti** alebo vzdelanou osobou vykonať prachovo-technickú kontrolu, napríklad výskytu poškodenia filtra, vzduchotesnosti zariadenia a funkcie kontrolných zariadení.

7.2 Automatické čistenie filtra



Filtračný prvok pri čistení neudierajte o tvrdé predmety ani nečistite tvrdými či špicatými predmetmi. Životnosť filtračného prvku sa tým znižuje.

Filtračný prvok sa nesmie čistiť pomocou čističa využívajúceho stlačený vzduch. Môže to spôsobiť trhliny v materiáli filtra.

Filtračný prvok je súčasť podliehajúca opotrebovaniu.

- ▶ Filtračný prvok vymeňte minimálne každého pol roka.
- ▶ Filtračný prvok však vymieňajte častejšie v prípade intenzívneho používania.

7.3 Výmena filtračného prvku

1. Vytiahnite sieťovú zástrčku zo zásuvky.
2. Otvorte uzatváraciu sponu pre kryt filtra.
3. Otvorte kryt filtra.
4. Opatrne vyberte filtračný prvok na úchopových priehlbínach dostupných v držiaku.
5. Očistite tesniacu plochu handrou.
6. Nasaďte nový filtračný prvok.
7. Uzatvorte kryt filtra sklopením aretácie vrchného krytu dopredu.
8. Uzatvorte uzatváracie spony pre kryt filtra.

7.4 Kontrola monitorovania stavu naplnenia

1. Kvôli bezpečnému státiu vysávača aktivujte brzdy koliesok.
2. Vytiahnite sieťovú zástrčku zo zásuvky.
3. Otvorte dve uzatváracie spony.
4. Zdvihnite hlavu vysávača z nádoby na nečistoty a postavte ju na rovný podklad.
5. Skontrolujte, či nie sú vypínacie kontakty znečistené a v prípade potreby ich očistite kefou.
6. Skontrolujte, či nie je znečistené tesnenie na hlave vysávača a v prípade potreby ho očistite handrou.
7. Nasaďte hlavu vysávača na nádobu na nečistoty a uzatvorte dve uzatváracie spony.

7.5 Kontrola po ošetrovaní a údržbe

1. Po vykonaní prác spojených so starostlivosťou o zariadenie a jeho opravami skontrolujte, či je vysávač správne zostavený a či bezchybne funguje.
2. Vykonajte test fungovania.



7.6 Preprava

Plné zariadenie sa nesmie prenášať.

Zariadenie sa nesmie zavesiť na žeriav.

- ▶ V prípade potreby odstráňte zariadenie Power Conditioner alebo uvoľnený nástroj z držiaka.
- ▶ Zariadenie pred prenášaním na iné miesto vyprázdňte.
- ▶ Zariadenie neprekáľpajte a ani ho neprepravujte v polohe nalezato, ak ste vysávali kvapaliny.
- ▶ Na prepravu zložte obidva konce hadice dohromady, pomocou kónického adaptéra.

VC 20-UM
VC 20-UME
VC 40-UM
VC 40-UME



VAROVANIE

Nebezpečenstvo zranenia z dôvodu zdraviu škodlivého prachu! Cez vstupnú tvarovanú prípojku môže unikáť nebezpečný vysávaný materiál.

- ▶ Pri preprave a nepoužívaní vysávača uzatvorte vstupnú tvarovanú prípojku uzatváracím prvkom.

7.7 Skladovanie

- ▶ Vysávač odstavte v suchej miestnosti tak aby bol chránený pred použitím nepovolnými osobami.

8 Pomoc v prípade porúch

Pri výskyte takých porúch, ktoré nie sú uvedené v tejto tabuľke, alebo ktoré nedokážete odstrániť sami, sa obráťte na náš servis **Hilti**.

8.1 Pomoc v prípade porúch

Porucha	Možná príčina	Riešenie
VC 20-UM VC 20-UME VC 40-UM VC 40-UME Bei UM- und UME-Saugern Akustický varovný signál (znížený sací výkon)	Vrečko na prach je plné.	<ul style="list-style-type: none"> ▶ Vymeňte papierové vrečko na prach. → strana 74 ▶ Vymeňte plastové vrečko na prach. → strana 74
	Filtračný prvok je silno znečistený.	<ul style="list-style-type: none"> ▶ Ak je deaktivované automatické čistenie filtra, aktivujte automatické čistenie filtra a nechajte vysávač v činnosti počas 30 sekúnd. ▶ Vymeňte filtračný prvok. → strana 76
	Sacia hadica alebo kryt proti prachu na elektrickom náradí sú upchaté.	▶ Vyčistite saciu hadicu a kryt proti prachu.
	Nastavenie priemeru hadice je v nesprávnej pozícii.	▶ Nastavte priemer hadice.
Zo zariadenia je vyfukovaný prach.	Filtračný prvok nie je namontovaný správnym spôsobom. Filtračný prvok je poškodený.	<ul style="list-style-type: none"> ▶ Namontujte filtračný prvok ešte raz. ▶ Namontujte nový filtračný prvok.
Zariadenie sa nechcne zapína a vypína alebo dochádza k statickému vybíjaniu cez používateľa.	Nie je zaručené odvádzanie elektrostatického náboja, zariadenie nie je pripojené na uzemnenú zásuvku.	▶ Pripojte zariadenie na uzemnenú zásuvku, použite antistatickú hadicu.
Zariadenie nebeží alebo sa vypne krátko po spustení.	Aktivovalo sa odstavenie vody.	▶ Vyčistite snímače a okolie snímačov kefou.



Porucha	Možná príčina	Riešenie
Motor už nebeží.	Aktivovalo sa istenie sieťovej zásuvky.	<ul style="list-style-type: none"> ▶ Zapnite istenie. ▶ Po opakovanom aktivovaní vyhľadajte príčinu vzniku nadmerného prúdu.
	Nádoba na nečistoty je plná.	<ul style="list-style-type: none"> ▶ Vypnite zariadenie a vyprázdnite nádobu na nečistoty. ▶ Vyprázdnite nádobu na nečistoty. → strana 75
	Aktivovala sa tepelná poisťka motora.	<ul style="list-style-type: none"> ▶ Vypnite zariadenie a nechajte ho približne 5 minút ochladzovať. ▶ Ak sa motor nespustí, dajte zariadenie do zákaznickeho servisu firmy Hilti.
	Tepelná poisťka opakovane vypína motor, pretože sú znečistené štrbiny slúžiace na odvetrávanie.	<ul style="list-style-type: none"> ▶ Štrbiny na odvetrávanie opatrne vyčistite suchou kefou.
Motor nebeží v automatickej prevádzke.	Pripojené náradie alebo zariadenie je poškodené alebo nie je správne pripojené.	<ul style="list-style-type: none"> ▶ Skontrolujte fungovanie pripojeného náradia/zariadenia alebo pevne zasuňte sieťovú zástrčku.
Automatické čistenie filtračného prvku nefunguje.	Nie je pripojená žiadna sacia hadica.	<ul style="list-style-type: none"> ▶ Pripojte saciu hadicu.

9 Likvidácia

Výrobky značky **Hilti** sú z veľkej časti vyrobené z recyklovateľných materiálov. Predpokladom na opakované využitie recyklovateľných materiálov je ich správne separovanie. V mnohých krajinách firma **Hilti** odobere vaše staré zariadenie na recykláciu. Opýtajte sa na to v zákaznickeho servise firmy **Hilti** alebo u svojho obchodného poradcu.

Podľa európskej smernice o elektroodpade a elektronickom odpade a podľa jej premietnutia do národného práva sa musia opotrebované elektrické zariadenia zbierať separovane a odovzdávať na recykláciu v súlade s predpismi na ochranu životného prostredia.



- ▶ Elektrické zariadenia nevyhadzujte do komunálneho odpadu!

Kal z vrtania

Z hľadiska ochrany životného prostredia je odvádzanie kalu z vrtania do vodných tokov alebo do kanalizácie bez predchádzajúcej úpravy problematické.

- ▶ Informácie o existujúcich predpisoch vám poskytnú príslušné úrady vo vašej krajine.

Odporúčame vykonať nasledujúcu úpravu:

- ▶ Kal z vrtania zachyťte (napríklad pomocou vysávača s vysávaním namokro).
- ▶ Nechajte kal z vrtania usadiť a pevný podiel zlikvidujte na skládku stavebného odpadu (proces odlučovania môžu urýchliť flokulačné prostriedky).
- ▶ Pred vyliatím zostatkovvej vody (alkalická, hodnota pH > 7) do kanalizácie ju neutralizujte pridaním kyslého neutralizačného prostriedku alebo zriedením veľkým množstvom vody.

Prach z vrtania

- ▶ Zachytený prach z vrtania zlikvidujte v súlade s existujúcimi národnými, zákonnými predpismi.

10 Čína RoHS (smernica o obmedzení používania nebezpečných látok v elektrických a elektronických zariadeniach)

Pod nasledujúcimi odkazmi nájdete tabuľku nebezpečných látok: r4635725 (VC 20) r4635725 a (VC 40). Odkaz na tabuľku RoHS nájdete na konci tejto dokumentácie ako QR kód.



11 Zárka výrobcu

- ▶ Ak máte akékoľvek otázky týkajúce sa záručných podmienok, obráťte sa, prosím, na vášho lokálneho partnera spoločnosti **Hilti**.

オリジナル取扱説明書

1 取扱説明書について

1.1 本取扱説明書について

- ご使用前にこの取扱説明書をすべてお読みください。このことは、安全な作業と問題のない取扱いのための前提条件となります。
- 本取扱説明書および製品に記載されている安全上の注意と警告表示に注意してください。
- 取扱説明書は常に製品とともに保管し、他の人が使用する場合には、製品と取扱説明書を一緒にお渡しください。

1.2 記号の説明

1.2.1 警告表示

警告表示は製品の取扱いにおける危険について警告するものです。以下の注意喚起語が使用されています：



危険

危険！

- ▶ この表記は、重傷あるいは死亡事故につながる危険性がある場合に注意を促すために使われます。



警告

警告！

- ▶ この表記は、重傷あるいは死亡事故につながる可能性がある場合に注意を促すために使われます。



注意

注意！

- ▶ この表記は、身体の負傷あるいは物財の損傷が発生する可能性がある場合に使われます。

1.2.2 本書の記号

文書には以下の記号が使用されています：

	使用前に取扱説明書をお読みください
	注意
	本製品を効率良く取り扱うための注意事項や役に立つ情報
	リサイクル可能な部品の取扱い
	電動工具およびバッテリーを一般ゴミとして廃棄してはなりません

1.2.3 図中の記号

図中では以下の記号が使用されています：

2	この数字は本取扱説明書冒頭にある該当図を示しています
3	付番は図中の作業手順の順序に対応していて、本文の作業手順とは一致しない場合があります
11	概要図には項目番号が付されていて、製品概要セクションの凡例の番号に対応しています





この記号は、製品の取扱いの際に特に注意が必要なことを示しています。

1.3 製品により異なる記号

1.3.1 製品に表示されている記号

製品には以下の記号が使用されています：



高温に関する警告事項



クレーンによる搬送禁止

1.4 本体に関して

VC 20-UL

VC 40-UL



警告事項：当本体には、健康を損なう恐れのある粉じんが取り込まれています。ダストバッグを空にする際、手入れの際には（ダストバッグの廃棄を含む）、相応の保護用具を着用した専門の担当者のみが作業を行ってください。フィルターシステム一式が取り付けられるまではスイッチをオンにしないでください。

VC 20-UM

VC 20-UME

VC 40-UM

VC 40-UME



警告事項：当本体には、健康を損なう恐れのある粉じんが取り込まれています。ダストバッグを空にする際、手入れの際には（ダストバッグの廃棄を含む）、相応の保護用具を着用した専門の担当者のみが作業を行ってください。フィルターシステム一式が取付けられ、体積流量コントロール機能の点検が行われるまでは、スイッチをオンにしないでください。

1.5 製品情報

Hilti 製品はプロ仕様で製作されており、その使用、保守、修理を行うのは、認定を受けトレーニングされた人のみに限ります。これらの人は、遭遇し得る危険に関する情報を入手していなければなりません。本製品およびアクセサリーの使用法を知らない者による誤使用、あるいは規定外の使用は危険です。

機種名および製造番号は銘板に表示されています。

▶ 製造番号を以下の表に書き写しておいてください。ヒルティ代理店やサービスセンターへお問い合わせの際には、製品データが必要になります。

製品データ → 頁 80

製品データ

乾湿兼用バキュームクリーナー	VC 20-U VC 20-UL VC 20-UM VC 20-UME VC 40-U VC 40-UL VC 40-UM VC 40-UME
製品世代	02
製造番号	



1.6 適合宣言

当社は、単独の責任において本書で説明している製品が有効な基準と標準規格に適合していることを宣言します。適合宣言書の複写は本書の末尾にあります。

技術資料は本書の後続の頁に記載されています：

Hilti Entwicklungsgesellschaft mbH | Zulassung Geräte | Hiltistraße 6 | 86916 Kaufering, DE

2 安全

2.1 安全上の注意

2.1.1 一般安全注意事項

この取扱説明書の各項に記された安全注意事項の外に、下記事項を必ず守ってください。

- ▶ すべての注意事項をお読みください！以下の注意事項を守らないと、感電、火災、重大な怪我の恐れがあります。
- ▶ 本体を電動工具と接続して使用する場合、ご使用前に電動工具の取扱説明書をよく読み、すべての注意事項を守ってください。
- ▶ 本体の加工や改造は許されません。
- ▶ 用途に合った工具をご使用してください。本体を本来の目的以外には使用しないでください。必ず、指示にしたがひ、不具合のない状態で使用してください。
- ▶ 本体を使用する作業の前に、その取扱い、吸引する物質から生じる危険およびその安全な廃棄について確認してください。
- ▶ 周囲状況を考慮してください。火災や爆発の恐れがあるような状況では、本体を使用しないでください。
- ▶ 本体を使用することができるのは、本体の使用に慣れていて、安全な使用のための知識を有し、発生し得る危険について理解している者のみです。本体は子供が使用するよう設計されていません。
- ▶ 本体を使用しない時には、確実に保管してください。未使用時には、本体を乾いた高い場所に施錠し、子供が触れない状態で保管してください。

2.1.2 作業者に関する安全

- ▶ 本製品を使用の際には、油断せずに十分注意し、常識をもった作業をおこなってください。疲れている場合、薬物、医薬品服用およびアルコール飲用による影響下にある場合には集じん機を使用しないでください。本体使用中の一瞬の不注意が重傷の原因となることがあります。
- ▶ 本体の使用中および保守作業中には、作業者および現場で直近に居合わせる人々は保護メガネ、ヘルメット、耳栓、保護手袋、安全靴および防じんマスクを着用しなければなりません。
- ▶ キャスターブレーキを操作して、集じん機を安定した状態に保ってください。キャスターブレーキがかかっていないと、集じん機が意図せず動き出す危険があります。
- ▶ 吸じんシステムの接続が可能な場合には、これらのシステムが適切に接続、使用されていることを確認してください。吸じんシステムを利用することにより、粉じん公害を防げます。

2.1.3 本体の慎重な取扱いおよび使用

- ▶ 決して本体を放置しないでください。
- ▶ 危険粉じんの吸引時、特に粉じんを生成する電動工具の使用時にはフィルタークリーニングを非作動にしないでください。
- ▶ 本体を凍結から保護してください。
- ▶ 液量を確認するためのフロートは、指示に従い定期的にブラシを使用して清掃し、損傷の兆候がないか点検してください。
- ▶ サクションヘッドを取り付ける際には、指を挟んだり電源コードを損傷したりしないように注意してください。負傷や損傷の危険があります。
- ▶ 本体とアクセサリーに損傷がないか点検してください。本体を続けて使用する前に、安全装置および軽度の損傷箇所について、作業に影響を及ぼすことなく規定どおりの機能を発揮できることを確認する必要があります。可動部分が問題なく動作し、動きに硬さがないか、あるいは部品に損傷がないか点検してください。すべての部品が正しく取り付けられて、本体が支障なく作動するための条件が整っているか確認してください。
- ▶ 本体の修理は必ず認定サービスセンターにお申し付けください。また、必ず純正部品を使用してください。これにより電動工具の安全性が確実に維持されます。
- ▶ 未使用時（作業の合間）、手入れや保守の前、アクセサリーまたはフィルター交換を行う前には、常に電源コードをコンセントから抜いておいてください。この安全処置により、本体の不意の始動を防止することができます。



- ▶ 集じん機を他の作業場所に移す場合、決して電源コードを引っ張らないでください。移動の際に集じん機が電源コードを踏みつけないようにしてください。
- ▶ 本体をクレーンで搬送しないでください。

VC 20-UM
VC 20-UME
VC 40-UM
VC 40-UME

- ▶ 本体の搬送時および本体を使用していないときには、ホースソケットをホースソケットキャップで封止してください。

2.1.4 電気に関する安全注意事項

- ▶ 本体の接続プラグはコンセントに適合するものでなければなりません。プラグは絶対に変更しないでください。アースした本体と一緒にアダプタープラグを使用しないでください。オリジナルのプラグと適切なコンセントを使用することにより、感電の危険を小さくすることができます。
- ▶ 安全に設置され、その場のあらゆる状況に合った、アース付きの適切なコンセントにプラグを差し込んでください。コンセントが確実にアースされているか疑わしい場合は、資格を有する修理スペシャリストに点検を依頼してください。
- ▶ パイプ、ラジエーター、電子レンジ、冷蔵庫などのアースされた面に体の一部が触れないようにしてください。体が触れると感電の危険が大きくなります。
- ▶ 本体を雨や湿気から保護してください。電動工具に水が浸入すると、感電の危険が大きくなります。
- ▶ 電源コードが濡れた床面上にないことを確認してください。
- ▶ 本体の電源コードを定期的に点検し、コードに損傷がある場合はHilti サービスセンターに交換を依頼してください。延長コードを定期的に点検し、損傷がある場合は交換してください。
- ▶ 作業中に電源コードおよび / または延長コードを損傷した場合は、これらに触れないでください。電源プラグをコンセントから抜きます。損傷した電源コードや延長コードは感電の原因となり危険です。
- ▶ 電源に接続するコードは取扱説明書の中で規定されたタイプ以外のものと交換しないでください。
- ▶ 本体を持ち運んだり、吊り下げたり、コンセントからプラグを抜いたりするときは、必ず本体を持ち、電源コードを持ったり引っ張ったりしないでください。電源コードを火気、オイル、鋭利な刃物、本体の可動部等に触れる場所に置かないでください。コードが損傷したり絡まったりしていると、感電の危険が大きくなります。
- ▶ 屋外工事で電気工具を使用する場合には、必ず屋外用の延長コードを使用してください。屋外用の延長コードを使用すると、感電の危険が小さくなります。
- ▶ 停電の際には本体のスイッチを切り、電源プラグを抜いてください。
- ▶ 本体コンセントは取扱説明書で指定されている目的にのみ使用してください。
- ▶ 本体を、濡れた状態や泥が付着したままの状態では絶対に使用しないでください。本体表面に泥や水分が付くと本体の保持が困難となり、時に感電の恐れがあります。したがって特に導電性のある物質に対する作業を頻繁に行う場合は、定期的にHilti サービスセンターに本体の点検を依頼してください。

2.1.5 作業場の安全確保

- ▶ 作業場の採光に十分配慮してください。
- ▶ 作業場の換気に十分配慮してください。作業場の換気が十分でないと、粉じんによる汚染で健康を損なう恐れがあります。
- ▶ 作業場の整理整頓に心がけてください。事故の原因となり得る危険物は作業区域から取り除いておいてください。作業場が整理整頓されていないと、事故を引き起こすことがあります。
- ▶ 爆発の危険性のある環境（可燃性液体、ガスおよび粉じんのある場所）では本体を使用しないでください。電動工具から火花が飛散し、粉じんや揮発性ガスに引火する恐れがあります。
- ▶ 段階で作業する際には、特に注意してください。

2.1.6 吸引物

- ▶ 健康を損なう危険のある、可燃性 / 爆発性の粉じんを吸引することは許可されません（マグネシウムとアルミニウムの粉じんなど）。60 °C を超える高温の物質を吸引してはなりません（燃っている煙草の吸殻、高温の灰など）。
- ▶ 可燃性、爆発性、刺激性のある液体を吸引することは許可されません（冷却剤、潤滑剤、ガソリン、溶剤、電解液（pH<5）、苛性アルカリ溶液（pH>12.5）など）。
- ▶ 泡または液体が流出した場合はただちに本体のスイッチをオフにしてください。
- ▶ 60 °C 以下の高温の物質を吸引する場合は、保護手袋を着用してください。
- ▶ 鉤物ノロを取り扱う際には保護服を着用し、ノロに皮膚が触れないようにしてください（pH > 9 の刺激性）。



- ▶ アルカリ性または酸性の液体に触れないように注意してください。もしも触れてしまった場合は、水で洗い流してください。液体が眼に入った場合は、多量の水で洗い流してから医師の診察を受けてください。

VC 20-UL
VC 40-UL

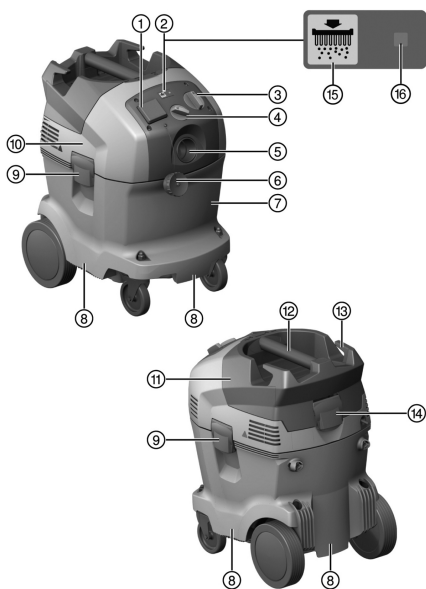
- ▶ 粉じんクラス L 用の本体は、乾燥した、不燃性の粉じん、木屑、および曝露限界値 $> 1 \text{ mg/m}^3$ の危険粉じんの吸引に適しています。本体には吸引する粉じんの危険度に応じて適切なフィルターを装着する必要があります。

VC 20-UM
VC 20-UME
VC 40-UM
VC 40-UME

- ▶ 粉じんクラス M 用の本体は、乾燥した、不燃性の粉じん、木屑、および曝露限界値 $\geq 0.1 \text{ mg/m}^3$ の危険粉じんの吸引に適しています。本体には吸引する粉じんの危険度に応じて適切なフィルターを装着する必要があります。

3 製品の説明

3.1 製品概要 1



- ① 本体コンセント
VC 20/40-UME、VC 20/40-U および VC 20/40-UL 用オプション
- ② オートフィルタークリーニング
- ③ 本体スイッチ
- ④ ホース径設定 (VC 20-UM あるいは VC 20-UME あるいは VC 40-UM あるいは VC 40-UME)
- ⑤ ホースソケット
- ⑥ ホースソケットキャップ (VC 20-UM あるいは VC 20-UME あるいは VC 40-UM あるいは VC 40-UME)
- ⑦ ダストコンテナ
- ⑧ リセスグリップ
- ⑨ ロッククリップ
- ⑩ サクションヘッド
- ⑪ フィルターカバー
- ⑫ グリップ
- ⑬ 電源コードフック
- ⑭ フィルターカバー用ロッククリップ
- ⑮ 「フィルタークリーニング ON/OFF」ボタン
- ⑯ 「オートフィルタークリーニング」ステータス表示

3.2 正しい使用

本書で説明している製品は、業務での使用を想定した汎用の産業用集じん機です。乾湿両用の集じん機としてご使用いただけます。

Hilti の製品はプロ仕様で製作されており、本体の使用、保守、修理を行うのは、認定を受けトレーニングされた人のみに限ります。製品およびアクセサリの使用法を知らない者による誤使用、あるいは規定外の使用は危険です。

本製品の吸引口を人および動物に向けてはなりません。本体を水中で使用することは許可されません。

- ▶ 本製品を使用している作業の前に、取扱い、吸引する物質から生じる危険およびその安全な廃棄について確認してください。
- ▶ 本製品を全自動または半自動装置の固定連続動作モードで使用しないでください。
- ▶ 怪我の可能性を防ぐため、必ず Hilti 純正のアクセサリや工具のみを使用してください。
- ▶ 静電気帯電を防止するため、静電防止サクションホースを使用してください。



- ▶ ダストバックを通して怪我の原因となり得る物体を吸引しないでください（先端が尖った吸引物や角の鋭い吸引物など）。
- ▶ 本製品を踏み台の代わりとして使用しないでください。

本製品は以下の業務用途に適しています：

- Hilti のダイヤモンドグラインダー、アングルグラインダー、ロータリーハンマードリルおよび乾式コアビットを使用しての作業で発生する多量の粉じんの吸引。
- Hilti のダイヤモンドコアビットあるいはHilti のダイヤモンドソーを使用しての作業で発生する鋳物ノ口、および温度が 60°C (140°F) 未満の液体の吸引。
- オイルおよび温度が 60°C (140°F) 未満の液体媒体の吸引。
- 壁面および床面の湿式 / 乾式清掃

以下のタイプの追加用途：

VC 20-UL
VC 40-UL

本製品は以下の用途に適しています：

- 乾燥した、不燃性の粉じん、液体、木屑、および曝露限界値 > 1 mg/m³ の危険粉じん（粉じんクラス L）の吸引。

VC 20-UM
VC 20-UME
VC 40-UM
VC 40-UME

本製品は以下の用途に適しています：

- 乾燥した、不燃性の粉じん、液体、木屑、および曝露限界値 $\geq 0.1\text{mg}/\text{m}^3$ の危険粉じん（粉じんクラス M）の吸引。



暴露限度値のある粉じんを吸引する際に本体の排気が作業場内に放出される場合、作業場内の空気交換率が十分であることが求められます。

IEC 60335-2-69（クラス L/M）に定められた健康を損なう危険のある物質のみは、適切な集じん機により吸引することができます。これ以外の健康を損なう危険のある物質の吸引はすべて禁止されています。

温度が 60°C (140°F) 以上のオイルおよび液状媒体の吸引は許可されません。

3.3 考えられる誤った使用

- 産業用集じん機を横にした状態で作動させないでください。
- 産業用集じん機を、爆発危険のある物質、赤熱している、燃焼している、あるいはあるいは可燃性の物質や爆発力の大きい粉じん（マグネシウムとアルミニウムの粉じんなど）の吸引に使用してはなりません（木屑を除く）。
- 産業用集じん機を、可燃性の液体（ガソリン、溶剤、酸、冷却剤および潤滑剤など）の吸引に使用してはなりません。
- 健康を損なう危険のある物質（アスベストなど）に使用してはなりません。

3.4 本体標準セット構成

乾湿兼用バキュームクリーナー（フィルターエレメント、集じん機側回転スリーブと工具側スリーブを含むサクシオンホース一式、プラスチックダストバッグ PE VC 20/40、取扱説明書付き）。



安全な作動のために、必ず純正のスペアパーツと消耗品を使用してください。本製品向けに弊社が承認したスペアパーツ、消耗品およびアクセサリは、最寄りのHilti センター、または www.hilti.group でご確認ください。



3.5 ホース径設定

VC 20-UM
VC 20-UME
VC 40-UM
VC 40-UME

警告シグナル音を正しく作動させるために、ホース径設定で使用するサクシオンホースの直径を設定する必要があります。

3.6 警告シグナル音

VC 20-UM
VC 20-UME
VC 40-UM
VC 40-UME

サクシオンホース内の空気速度が 20 m/s を下回る場合、安全上の理由から警告シグナル音が鳴ります。

3.7 オートフィルタークリーニング

集じん機はオートフィルタークリーニング機能を備えており、フィルターエレメントに付着した粉じんの多くを取り除きます。

フィルタークリーニングは、「オートフィルタークリーニング ON/OFF」ボタンを押すとオフ、もう一度押すとオンになります。

状態	意味
LED 点灯。	フィルタークリーニングが作動。
LED 点灯しない。	フィルタークリーニングが非作動。

集じん機をスタートさせると、フィルタークリーニングはその都度自動的に作動します。フィルターエレメントに空気が吹き付けられて（脈動音がする）、自動的な清掃が行われます。

i システムアプリケーション（特に、研磨、切断および切込み）の場合、あるいは大量の粉じんを吸引する場合には、高い吸引能力を持続させるためにフィルタークリーニング機能を作動させる必要があります。フィルタークリーニングは、サクシオンホースが接続されている場合にのみ作動します。

3.8 取り扱うための注意事項

アクセサリとそのご使用方法

アクセサリ	ご使用方法
PE VC 20 プラスチックダストバッグ (203854)	鉱物粉じん用、乾湿兼用
PE VC 40 プラスチックダストバッグ (203852)	鉱物粉じん用、乾湿兼用
VC 20 紙ダストバッグ (203858)	木屑用
VC 40 紙ダストバッグ (203856)	木屑用
VC 20/40 乾式フィルター (2121386)	乾式
VC 20/40 汎用フィルター (2121387)	汎用、乾湿兼用
VC 20/40 高性能フィルター (2121388)	使用頻度の高い場合、乾湿兼用
サクシオンホース 27 X 3.5 m AS	乾湿兼用
サクシオンホース 36 mm	主に湿式、粉じんには使用しないでください
サクシオンホース 36 x 5 m AS	乾湿兼用



- ▶ かならず、プラスチックダストバッグあるいは紙ダストバッグを使用してください。

4 製品仕様

	VC 20	VC 40
周波数	50 Hz ... 60 Hz	50 Hz ... 60 Hz
重量 (EPTA プロシージャ 01/2003 に準拠)	13 kg	14.7 kg
寸法	530 mm x 380 mm x 490 mm	510 mm x 380 mm x 610 mm
コンテナ容量	21 ℓ	36 ℓ
有効集じん容量	23 kg	40 kg
有効吸水容量	13.5 ℓ	25 ℓ
動作温度	-10 °C ... 40 °C 乾式使用の場合	-10 °C ... 40 °C 乾式使用の場合
オートフィルタークリーニング	15 s	15 s
絶縁クラス	I	I
耐候性	IP X4	IP X4

4.1 定格電圧

i 発電機または変圧器を使用しての作業の場合は、それらは本体の銘板に記載されている定格電力より2倍以上大きな出力がなければなりません。変圧器または発電機の作動電圧は、常に本体の定格電圧の +5 %...-15 % の範囲になければなりません。

定格電圧	100 V	110 V	110 V	200 V
定格電力	1200 W	1200 W	1100 W	950 W
電動工具用の本体内部コンセントの接続コード (取り付けられている場合)		1600 W		
電源 (タイプ)	VCTF 3 x 2.0 mm ²	A07 QQ-F 3 / 12 AWG	H07 BQ-F 3G 1.5 mm ²	VCTF 3 x 2.0 mm ²
定格電圧	220...240 V	220...240 V (CH)	220...240 V (GB)	240 V (NZ)
定格電力	1200 W	1200 W	1200 W	1200 W
電動工具用の本体内部コンセントの接続コード (取り付けられている場合)	2400 W	1100 W	1800 W	1200 W
電源 (タイプ)	H07 RN-F 3G 1.5 mm ²	H07 RN-F 3G 1.5 mm ²	H07 RN-F 3G 1.5 mm ²	H07 RN-F 3G 1.5 mm ²

4.2 最大体積流量および最大真空度

		VC 20-UL	VC 40-UL	VC 20-UM	VC 20-UME
最大体積流量 (空気)	1100 W	135 m ³ /h	135 m ³ /h	135 m ³ /h	135 m ³ /h
	1200 W	145 m ³ /h	145 m ³ /h	145 m ³ /h	145 m ³ /h
最大真空度	1100 W	22.0 kPa	22.0 kPa	22.0 kPa	•/•
	1200 W	25.3 kPa	25.3 kPa	25.3 kPa	25.3 kPa



		VC 40-UM	VC 40-UME
最大体積流量 (空気)	1100 W	135 m³/h	135 m³/h
	1200 W	145 m³/h	145 m³/h
最大真空度	1100 W	22.0 kPa	22.0 kPa
	1200 W	25.3 kPa	25.3 kPa

4.3 騒音、震動に関するデータ、EN 60335-2-69 準拠

以下の値は、すべての産業用集じん機VC 20 およびVC 40 に該当するものです。

排出サウンドプレッシャーレベル (L _{pA})	71 dB(A)
サウンドプレッシャーレベルの不確か性 (K _{pA})	2.5 dB(A)
排出振動値	< 2.5 m/s ²
不確か性 (K)	排出振動値において考慮されています

5 ご使用前に

⚠ 注意

予期せぬ動きによる負傷の危険！ キャスターブレーキがかかっていないと、集じん機が意図せず動き出す危険があります。

▶ キャスターブレーキを操作して、集じん機を安定した状態に保ってください。

5.1 ご使用前に

- 2個のロッククリップを開きます。
- ダストコンテナからサククションヘッドを持ち上げて外します。
- ダストコンテナおよびパッケージからアクセサリを取り出します。
- 取扱説明書にしたがって適切なダストバッグを装着します。



暴露限度値 > 1 mg/m³ の粉じんを吸引するには、L または M クラス仕様のものを使用してください：鋳物粉じん用プラスチックダストバッグあるいは木屑用紙ダストバッグ。

暴露限度値 ≥ 0.1 mg/m³ の粉じんを吸引するには、M クラス仕様のものを使用してください：鋳物粉じん用プラスチックダストバッグあるいは木屑用紙ダストバッグ。

危険性の低い粉じんの吸引用：プラスチックダストバッグ。

- サククションヘッドをダストコンテナに取り付け、2個のロッククリップを閉じます。
- サククションヘッドが正しく取り付けられロックされていることを確認します。
- サククションホースを本体に接続します。

5.2 木屑吸引用の紙ダストバッグを装着する 2

- 2個のロッククリップを開きます。
- ダストコンテナからサククションヘッドを持ち上げて外します。
- 新品の紙ダストバッグをアダプターに取り付け、アダプターをダストコンテナに取り付けます。
- サククションヘッドをダストコンテナに取り付けます。
- 2個のロッククリップを閉じます。
- サククションヘッドが正しく取り付けられロックされていることを確認します。
- サククションホースを本体に接続します。

5.3 プラスチックダストバッグを装着する 3

- 2個のロッククリップを開きます。
- ダストコンテナからサククションヘッドを持ち上げて外します。
- 新品のプラスチックダストバッグを（取扱説明書の手順に従って）ダストコンテナに取り付けます。
- サククションヘッドをダストコンテナに取り付け、2個のロッククリップを閉じます。



6 ご使用方法

危険

電流による危険。集じん機の接続が正しくないと、死亡あるいは重傷事故の原因となることがあります。

- ▶ 集じん機は必ず適切にアースされた電源に接続してください。

警告

負傷の危険。ろ過システムの損傷により健康を損なう恐れのある粉じんが排出される危険があります。

- ▶ 非常時（フィルターの破損など）には集じん機をオフにして電源プラグをコンセントから抜き、再使用の前に専門技術者に集じん機の点検を依頼してください。

注意

予期せぬ動きによる負傷の危険！ キャスターブレーキがかかっていないと、集じん機が意図せず動き出す危険があります。

- ▶ キャスターブレーキを操作して、集じん機を安定した状態に保ってください。

6.1 Lクラス集じん機またはMクラス集じん機の使用

VC 20-UL
VC 20-UM
VC 20-UME
VC 40-UL
VC 40-UM
VC 40-UME

危険

負傷の危険。Lクラス、MクラスおよびHクラスでは、集じん機に健康を損なう恐れのある粉じんが取り込まれます。

- ▶ ダストコンテナを空にする作業、保守作業、廃棄作業は、必ず専門の担当者が行うようにしてください。適切な保護用具を着用してください。
- ▶ 危険物質が溜まっている領域から集じん機を遠ざける前に、集じん機の外側を吸引してきれいに拭き取るか、集じん機を密閉梱包します。危険領域から持ち出してきたすべての機械部品は汚れているとみなす必要があるため、粉じん飛散を防止するために適切な処置を講じる必要があります。
- ▶ ろ過システムが完全ではない状態では、決して集じん機を作動させないでください。

6.2 ホース径を設定する

VC 20-UM
VC 20-UME
VC 40-UM
VC 40-UME

- 乾燥した不可燃性の粉じん（暴露限度値あり）および木屑を吸引するには、サクシオンホース径をホース径設定 → 頁 85 スイッチの位置に合わせます。
- 集じん機をHiltiのホロードリルビットシステムとともに使用する際は、最小ホース径に切り替えてください。

6.3 本体コンセントを使用しない運転

- 電源プラグを差し込む前に、本体スイッチが「OFF」位置になっていることを確認してください。
- 集じん機の電源コードをコンセントに差し込みます。
- 本体スイッチを「ON」位置に回します。

6.4 本体コンセントを使用した運転




本体コンセントは、電動工具を直接集じん機に接続するためにのみ使用してください。

本体コンセントに接続した電動工具の使用に際しては、電動工具の取扱説明書およびそこに記載されている安全上の注意を守ってください。


- 集じん機の電源プラグをコンセントから抜きます。



2. 接続する電動工具の最大消費電力が本体コンセントの許容最大電力（「製品仕様」の章および本体コンセントのラベルに記載）を超えないことを確認してください。
3. 電動工具の電源プラグを差し込む前に、電動工具のスイッチがオフになっていることを確認してください。
4. 電動工具の電源プラグを本体コンセントに差し込みます。
5. 集じん機の電源コードをコンセントに差し込みます。
6. 本体スイッチを「Auto」位置に回します。
7. 電動工具のスイッチをオンにします。

 電動工具のスイッチをオフにした後も、サクシオンホース内に残っている粉じんを吸引するために集じん機はまだしばらくの間作動を続けます。

6.5 乾燥した粉じんを吸引する

 乾燥した粉じん、特に鉱物粉じんを吸引する前には、常に適切なダストバッグがコンテナに取り付けられていることを確認します。吸引した物質は手を汚さずに簡単に廃棄することができます。

注意

健康を損なう危険がある粉じんによる危険！ フィルターエレメントを使用しないと危険な吸引物が排出される危険があります。

- ▶ 集じん機は必ずフィルターエレメントを装着して使用してください。
- ▶ フィルターエレメントは乾いていて、適切なダストバッグが装着されていることを確認してください。

6.6 紙ダストバッグを交換する

危険

負傷の危険。先のとがった物体はサクシオンバッグを貫通してしまうことがあります。

- ▶ そのような物体によりサクシオンバッグに穴があいていないことを確認してください。

1. 電源プラグをコンセントから抜きます。
2. 2個のロッククリップを開きます。
3. ダストコンテナからサクシオンヘッドを持ち上げて外します。
4. 紙ダストバッグではダストバッグスリーブを慎重にアダプターから外します。
5. ダストバッグスリーブのスライダーを閉じます。
6. 布でダストコンテナを清掃します。
7. 新品の紙ダストバッグをダストコンテナに取り付けます。
8. サクシオンヘッドをダストコンテナに取り付け、2個のロッククリップを閉じます。

6.7 プラスチックダストバッグを交換する

1. 電源プラグをコンセントから抜きます。
2. 2個のロッククリップを開きます。
3. ダストコンテナからサクシオンヘッドを持ち上げて外します。
4. プラスチックダストバッグを所定の穴の下のところまでケーブルタイを使って閉じます。
5. プラスチックダストバッグを取り出します。
6. 布でダストコンテナを清掃します。
7. 新品のプラスチックダストバッグを（取扱説明書の手順に従って）ダストコンテナに取り付けます。
8. サクシオンヘッドをダストコンテナに取り付け、2個のロッククリップを閉じます。

6.8 液体を吸引する

注意

健康を損なう危険がある粉じんによる危険！ フィルターエレメントを使用しないと危険な吸引物が排出される危険があります。

- ▶ 集じん機は必ずフィルターエレメントを装着して使用してください。

1. ダストレベルモニターを点検します。→ 頁 91



- できるだけ湿式用の専用フィルターエレメントを使用してください。



Hilti VC 20/40 universal フィルター (2121387) を推奨します。

- 液体の吸引後に2個のロッククリップを開きます。
- ダストコンテナからサククションヘッドを持ち上げて外し、フィルターエレメントを乾燥させることができるようにサククションヘッドを平らな床面に置きます。
- ダストコンテナを空にしてウォーターホースでダストコンテナを清掃します。電極をブラシで清掃し、予め乾燥させたフィルターエレメントを手で外して清掃します。
- ダストコンテナを乾燥させます。

6.9 吸引後

- 電動工具のスイッチをオフにします。
- 本体スイッチを「OFF」位置に回します。
- 集じん機の電源プラグをコンセントから抜きます。
- 電源コードを巻き取り、コードフックに掛けます。
- コンテナを空にし、本体を湿らせた布で拭いて清掃します。
- ホースを巻き取ります。
- 権限のない人による不正使用を防止して、集じん機を乾燥した場所にしまします。

6.10 ダストコンテナを空にする (乾燥した粉じんの場合)

- 不意に始動しないように電源コードをコンセントから抜きます。
- ダストコンテナからサククションヘッドを持ち上げて外し、平らな床面に置きます。
- 以下の装備がある場合は、追加してこの作業を行ってください：

VC 20-UM
VC 20-UME
VC 40-UM
VC 40-UME

- ▶ ダストコンテナからダストバッグを取り出します。

- 以下の装備がある場合は、追加してこの作業を行ってください：

VC 20-U
VC 20-UL
VC 40-UL

- ▶ ダストコンテナからダストバッグを取り出すか、あるいはリセスグリップを挿んでダストコンテナを傾けて空にします。

- サククションヘッドをダストコンテナに取り付け、2個のロッククリップを閉じます。

6.11 ダストバッグなしのダストコンテナを空にする (液体の場合)

- 電源プラグをコンセントから抜きます。
- ダストコンテナからサククションヘッドを持ち上げて外し、平らな床面に置きます。
- リセスグリップを挿んでダストコンテナを傾けて空にします。
- ダストコンテナの周縁部を布で清掃します。
- サククションヘッドをダストコンテナに取り付け、2個のロッククリップを閉じます。

7 手入れ、保守、搬送および保管

7.1 本体の手入れ



警告

電流による危険！ 電気部品の誤った修理は、感電による重傷事故の原因となることがあります。

- ▶ 電気部品の修理は、必ず専門の知識を有する電気技術者に依頼してください。

- ▶ 本体、特にグリップ表面を乾燥させ、清潔に保ち、オイルやグリスが付着しないようにしてください。洗剤、磨き粉等のシリコンを含んだ清掃用具は使用しないでください。
- ▶ 通気溝が覆われた状態で集じん機を使用しないでください。通気溝を乾いたブラシを使用して注意深く掃除してください。本体内部に異物が入らないようにしてください。



- ▶ 定期的に、少し湿した布で本体表面を拭いてください。電気上の安全面に悪影響が出る可能性があるため、スプレーやスチームあるいは流水などによる清掃は避けてください。

VC 20-UL
VC 20-UM
VC 20-UME
VC 40-UL
VC 40-UM
VC 40-UME

手入れや保守および清掃の際には、作業者や他の人々に危険が生じないように本体を取り扱う必要があります。

- ▶ フィルター付きの強制換気装置を使用してください。
- ▶ 保護服を着用してください。
- ▶ 危険物質が周囲に飛び散らないように作業領域を清掃してください。
- ▶ 危険物質が溜まっている領域から本体を遠ざげる前に、本体の外側を吸引してきれいに拭き取るか、本体を密閉梱包します。この場合、堆積した危険な粉じんを撒き散らさないように注意してください。
- ▶ 手入れや保守および修理作業の場合、十分に清掃できずに汚れが残った部品はすべて密閉バッグに詰め込み、有効な廃棄規定に従って廃棄しなければなりません。
- ▶ 少なくとも年に1回、Hilti サービスセンターまたは資格を有する技術者に専門的な点検（フィルターの損傷、本体の機密性、警告装置の機能などの点検）を依頼してください。

7.2 オートフィルタークリーニング

- i** 清掃の際にはフィルターエレメントを固い物体にぶつけたり、固い物体や先の尖った物体を使って取り扱わないでください。フィルターエレメントの寿命が短くなります。
フィルターエレメントを圧縮空気クリーナーで清掃しないでください。フィルター素材に亀裂が生じることがあります。

フィルターエレメントは消耗部品です。

- ▶ フィルターエレメントは少なくとも半年ごとに交換してください。
- ▶ 使用頻度が高い場合には、フィルターエレメントの交換間隔をさらに短くしてください。

7.3 フィルターエレメントを交換する 5

1. 電源プラグをコンセントから抜きます。
2. フィルターカバー用ロッククリップを開きます。
3. フィルターカバーを開きます。
4. ブラケットのリセスグリップからフィルターエレメントを慎重に取り出します。
5. 布でシール面を清掃します。
6. 新品のフィルターエレメントを取り付けます。
7. カバーロックを前方に倒してフィルターカバーを閉じます。
8. フィルターカバー用ロッククリップを閉じます。

7.4 ダストレベルモニターを点検する

1. キャスターブレーキを操作して、集じん機を安定した状態に保ってください。
2. 電源プラグをコンセントから抜きます。
3. 2個のロッククリップを開きます。
4. ダストコンテナからサクションヘッドを持ち上げて外し、平らな床面に置きます。
5. スイッチオフコンタクトが汚れていないか点検し、必要に応じてブラシで清掃します。
6. サクションヘッドのシールが汚れていないか点検し、必要に応じて布で清掃します。
7. サクションヘッドをダストコンテナに取り付け、2個のロッククリップを閉じます。

7.5 手入れと保守を行った後の点検

1. 手入れ、保守の作業を済ませた後は、集じん機が正しく組み立てられ、正常に作動することを点検してください。
2. 機能テストを行ってください。



7.6 搬送

ダストコンテナが満杯の状態では本体を持ち運ばないでください。

本体をクレーンで吊り上げないでください。

- ▶ 必要に応じて、電力調整器と取り外し可能なアクセサリをブラケットから取り外してください。
- ▶ 他の場所に持ち運ぶ前に本体を空にしてください。
- ▶ 液体を吸引した場合には、本体を傾けたり、あるいは本体を横にした状態で搬送しないでください。
- ▶ 本体を持ち運ぶ際には、テーパーアダプターを使用してホース両端を連結することができます。

VC 20-UM
VC 20-UME
VC 40-UM
VC 40-UME



警告

健康を損なう危険がある粉じんによる危険！ ホースソケットから危険な吸引物が排出される危険があります。

- ▶ 集じん機の搬送時および集じん機を使用していないときには、ホースソケットをホースソケットキャップで封止してください。

7.7 保管上の注意事項

- ▶ 権限のない人による不正使用を防止して、集じん機を乾燥した場所にしまします。

8 故障時のヒント

この表に記載されていない、あるいはご自身で解消することのできない故障が発生した場合には、弊社営業担当またはHilti サービスセンターにご連絡ください。

8.1 故障時のヒント

故障	考えられる原因	解決策
VC 20-UM VC 20-UME VC 40-UM VC 40-UME Bei UM- und UME-Saugern 警告シグナル音 (吸引能力低下)	ダストバッグが満杯。	▶ 紙ダストバッグを交換します。→ 頁 89 ▶ プラスチックダストバッグを交換します。→ 頁 89
	フィルターエレメントの汚れが激しい。	▶ オートフィルタークリーニングが非作動にされている場合は作動させ、集じん機を 30 秒間作動させてください。 ▶ フィルターエレメントを交換します。→ 頁 91
	電動工具のサクシオンホースまたは集じんカバーが詰まっている。 ホース径設定の位置が正しくない。	▶ サクシオンホースと集じんカバーを清掃してください。 ▶ ホース径を設定してください。
粉じんが本体から吹き出る。	フィルターエレメントが正しく取り付けられていない。 フィルターエレメントが損傷している。	▶ フィルターエレメント取り付け直してください。 ▶ 新しいフィルターエレメントを取り付けてください。
本体が不意にオンおよびオフになる、または静電気が発生して作業者に流れる。	静電気の除去が保証されていない。本体がアース付きコンセントに接続されていない。	▶ 本体をアース付きコンセントに接続し、静電防止ホースを使用してください。
本体が始動しない、または短時間作動した後にオフになる。	ウォーターレベルカットアウト機能が作動した。	▶ センサーとセンサー周辺をブラシで清掃します。
モーターが作動しない。	電源コンセントのヒューズが作動した。	▶ ヒューズをオンにします。 ▶ ヒューズが再度作動する場合は過電流の原因を解消してください。



故障	考えられる原因	解決策
モーターが作動しない。	ダストコンテナが満杯。	<ul style="list-style-type: none"> ▶ 本体をスイッチオフにしてダストコンテナを空にします。 ▶ ダストコンテナを空にします。→ 頁 90
	モーター温度ヒューズが作動した。	<ul style="list-style-type: none"> ▶ 本体をスイッチオフにし、約5分間冷却させてください。 ▶ モーターが作動しない場合、弊社営業担当またはHilti 代理店・販売店に修理を依頼してください。
	通気溝が汚れているため、モーター温度ヒューズがモーターを再びオフにした。	▶ 通気溝を乾いたブラシを使用して注意深く掃除してください。
オートマチックモードでモーターが作動しない。	接続した工具の故障または正しく差し込まれていない。	▶ 接続した工具が正しく作動するか点検するか、あるいは電源プラグを確実に差し込んでください。
オートフィルターエレメントクリーニングが作動しない。	サクシオンホースが接続されていない。	▶ サクシオンホースを接続してください。

9 廃棄

Hilti 製品の大部分の部品はリサイクル可能です。リサイクル前にそれぞれの部品は分別して回収されなければなりません。多くの国でHilti は、古い電動工具をリサイクルのために回収しています。詳細については弊社営業担当またはHilti 代理店・販売店にお尋ねください。

古い電気および電子工具の廃棄に関するヨーロッパ基準と各国の法律に基づき、使用済みの電気工具は一般ゴミとは別にして、環境保護のためリサイクル規制部品として廃棄してください。



- ▶ 電動工具を一般ゴミとして廃棄してはなりません。

ノロ

環境面について言えば、ノロを適切な前処理なしに、そのまま河川、湖水、下水施設などに流すのは問題となります。

- ▶ 地域で適用されている法規について当局に問い合わせてください。
- ▶ 前処理として以下を提案いたします。
- ▶ ノロを回収してください（例：産業用湿式バキュームクリーナーを使用）。
- ▶ ノロを固まらせた後に固形物として建設廃棄物処理場に運んで処理してください（綿毛を加えると固形化が早まる）。
- ▶ ノロから流れ出る水（アルカリ性、 $\text{pH} > 7$ ）に酸性中和剤を加えるか、あるいは多量の水を加えて中性化させてから、下水に流してください。

穿孔粉じん

- ▶ 回収した穿孔粉じんは各国の法規に従って廃棄してください。

10 中国版 RoHS (有害物質使用制限に関するガイドライン)

下記のリンクより、有害物質を記載した表を確認できます：r4635725 (VC 20) r4635725 および (VC 40)。本書の最終ページに RoHS 表にリンクした QR コードがあります。

11 メーカー保証

- ▶ 保証条件に関するご質問は、最寄りのHilti 代理店・販売店までお問い合わせください。





EC Declaration of Conformity | UK Declaration of Conformity



Manufacturer:
Hilti Corporation
Feldkircherstraße 100
9494 Schaan | Liechtenstein

UK Importer:
Hilti (Gt. Britain) Limited
No. 1 Circle Square, 3 Symphony Park
Manchester, England, M1 7FS

VC 20-U (02), VC 20-UL (02), VC 20-UM (02), VC 20-UME (02)

VC 40-U (02), VC 40-UL (02), VC 40-UM (02), VC 40-UME (02)

Serial Numbers: 1-9999999999

2006/42/EC | Supply of Machinery (Safety) Regulations 2008

EN 60335-1:2012 +
A11:2014 + A13:2017

EN 60335-2-69:2012

2014/30/EU | Electromagnetic Compatibility Regulations 2016

EN 55014-1:2017 +
A11:2020

EN 55014-2:2015

EN 61000-3-3:2013 + A1:2019

2011/65/EU | The Restriction of the Use of Certain Hazardous Substances in Electrical and Electronic Equipment Regulations 2012

EN 61000-3-2:2019

Dr. Tahar Zrilli
Head of Quality and Process Management
Business Area Electric Tools & Accessories

Schaan, 20.12.2022

Johannes Wilfried Huber
Senior Vice President
Business Unit Diamond

VC 20



VC 40





Hilti Corporation
LI-9494 Schaan
Tel.:+423 234 21 11
Fax:+423 234 29 65
www.hilti.group



2122258