



KCC-MD Long Plate 1/2"

2277313-04.2023

15 KWIK CAST CONNECT
KCC-MD Long plate 1/2"
ORG-ORG
#2268100



Info | Shop

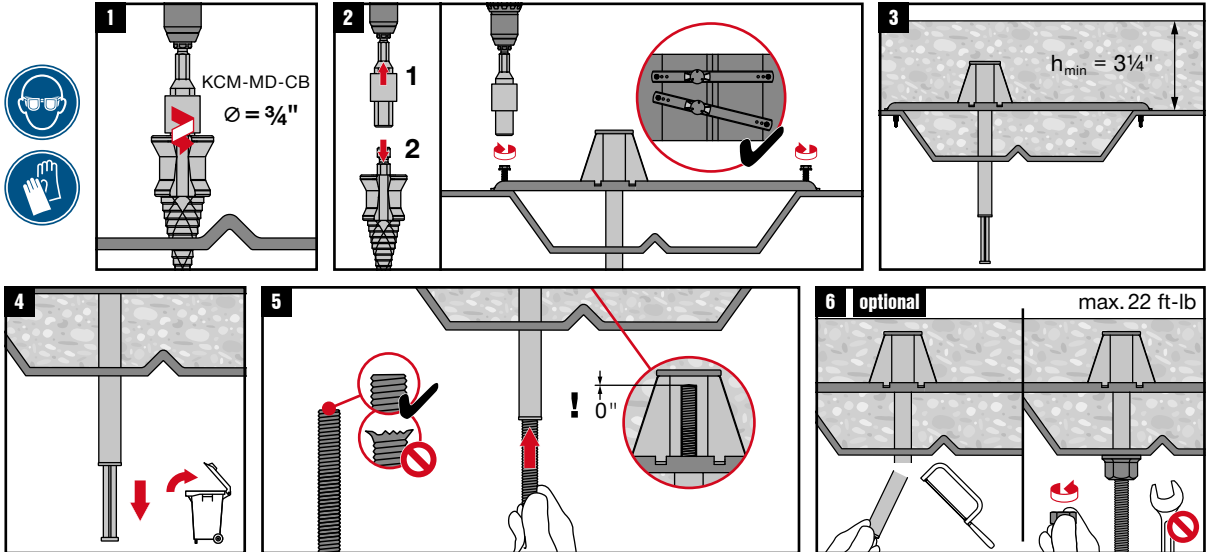
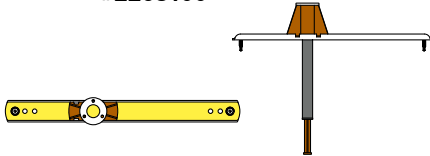


qr.hilti.com/2268100

LOT NUMBER:



Made in Taiwan
Hilti = trademark of
Hilti Corp., Schaun, LI



Per FM approval, the metal plate of the insert must be on the top of the deck flutes.
For seismic bracing applications cut tube flush to bottom of metal deck.