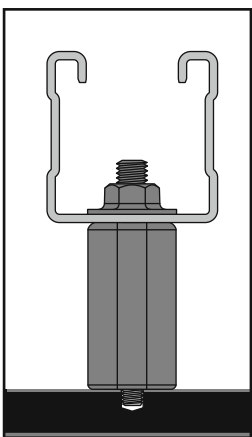
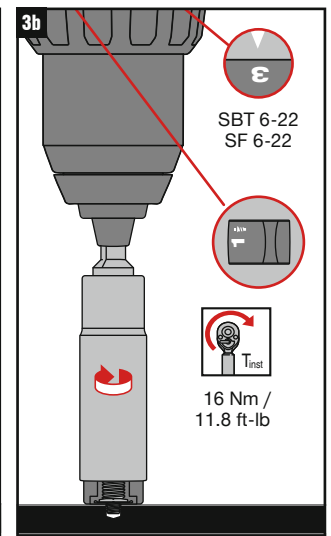
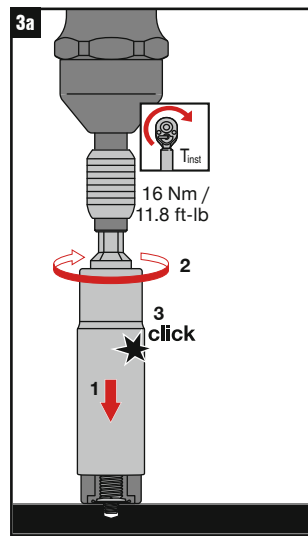
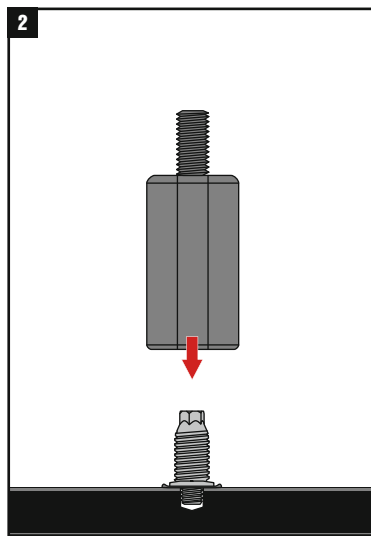
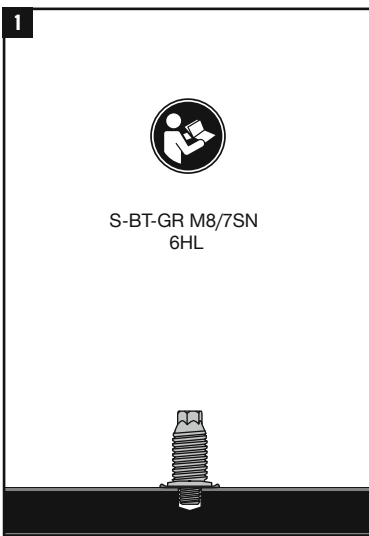


	SBT 6-22 SF 6-22
	Torque Tool S-BT ¼" 16 Nm / 11.8 ft-lb
	S-NS 19 95/3 ¼"



	Torque Tool S-BT ¼" 20 Nm / 14.8 ft-lb
	S-NS 9/16" C 95/3 ¼"(W10)
	SW 19
	W10 Flange nut

