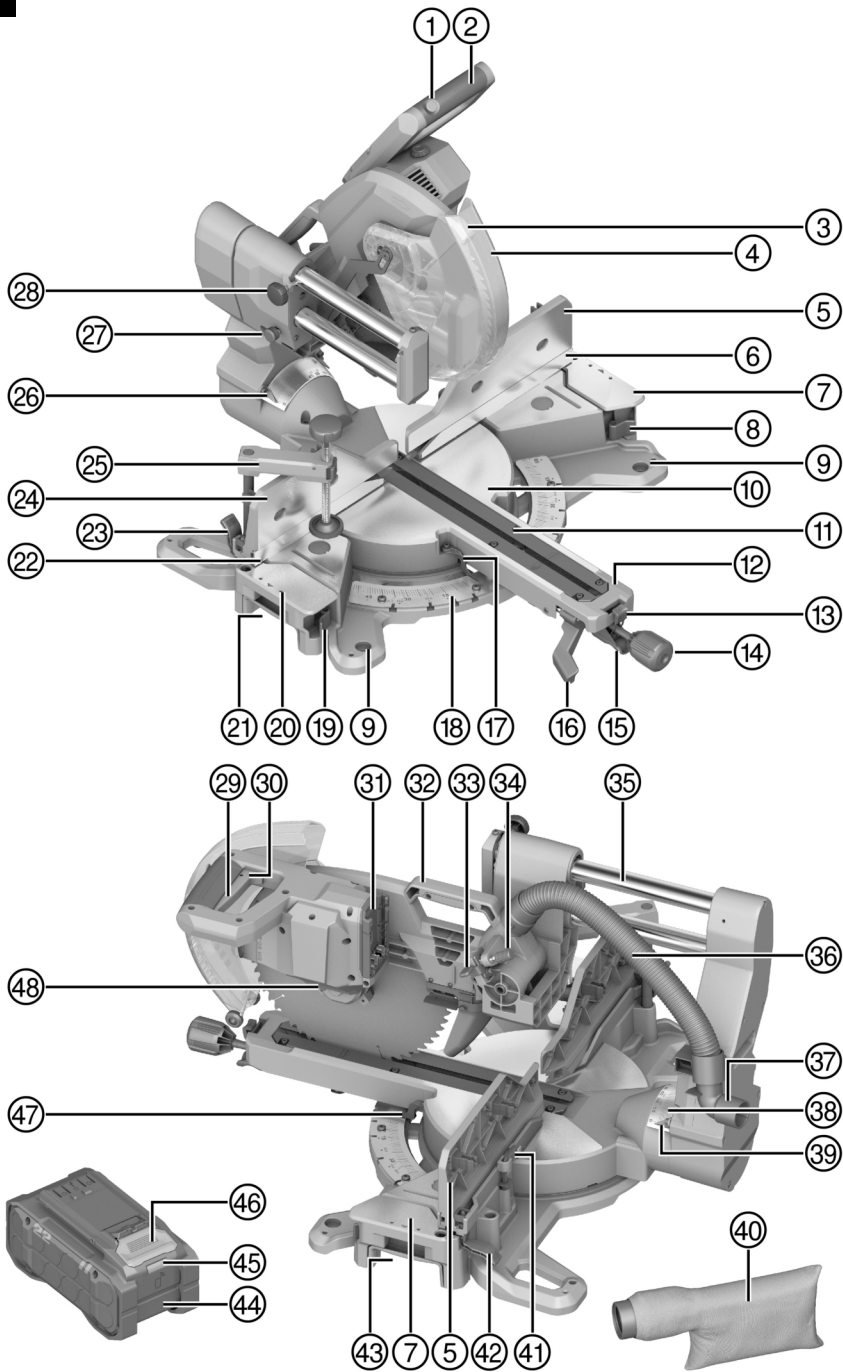




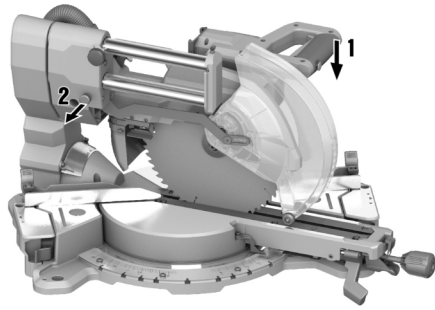
SM 60-22

NURON

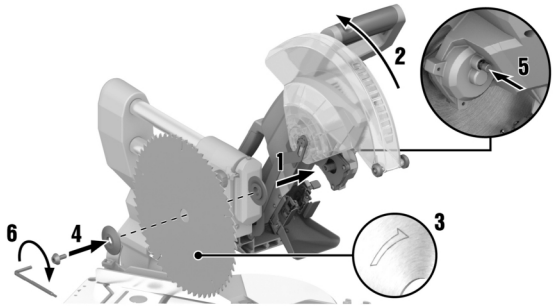
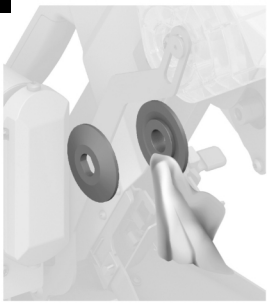
English	1
Dansk	23
Svenska	46
Norsk	68
Suomi	90
Eesti	113
Latviešu	135
Lietuvių	159
Русский	183
Türkçe	209
عربي	233
日本語	256
한국어	278
繁體中文	299
中文	318



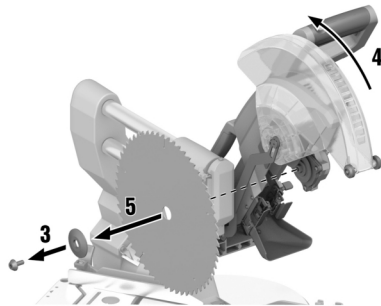
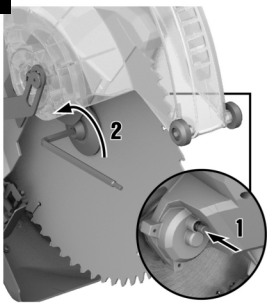
2



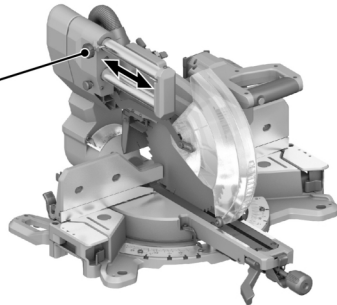
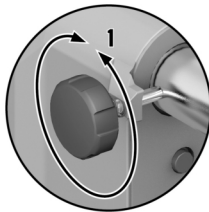
3



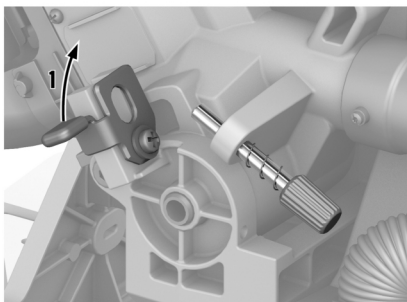
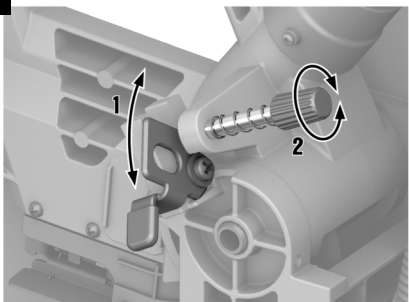
4



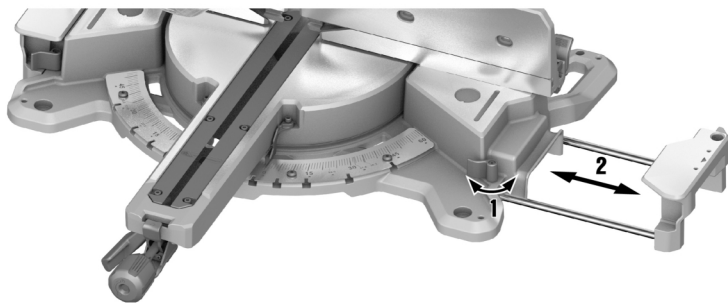
5



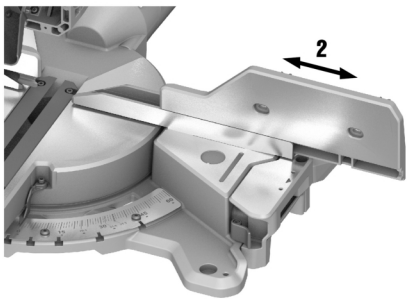
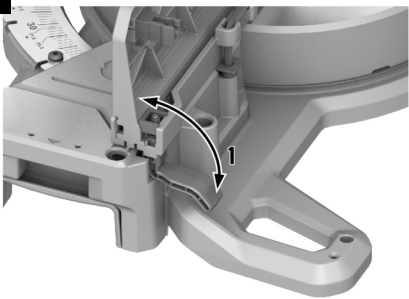
6



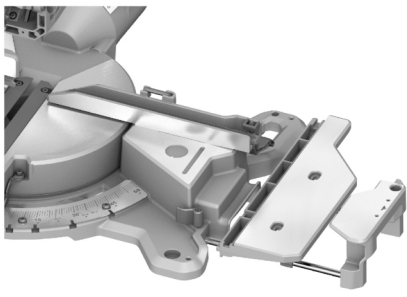
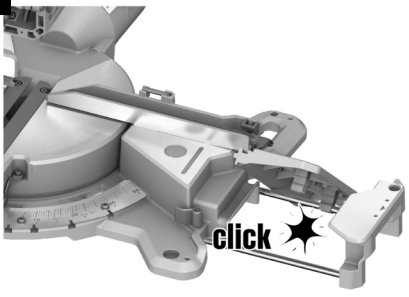
7



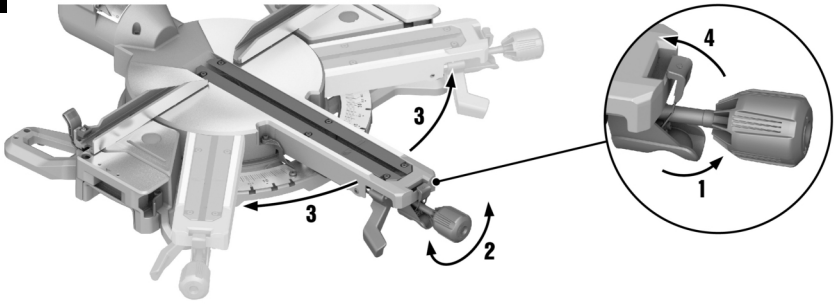
8



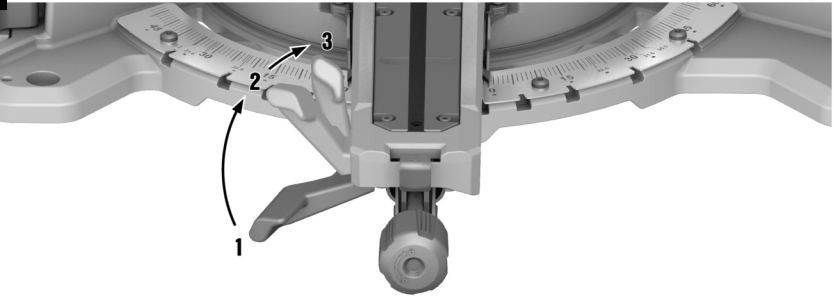
9



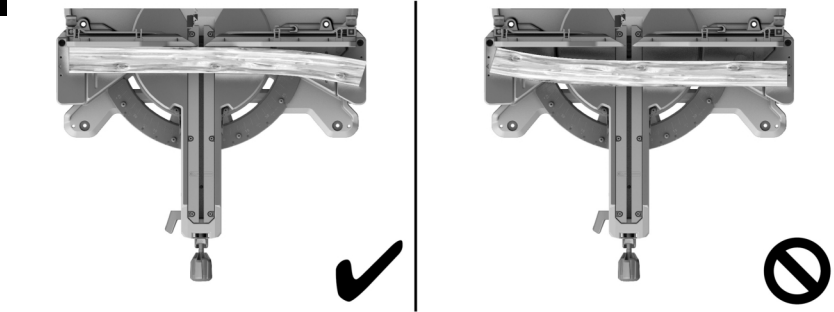
10



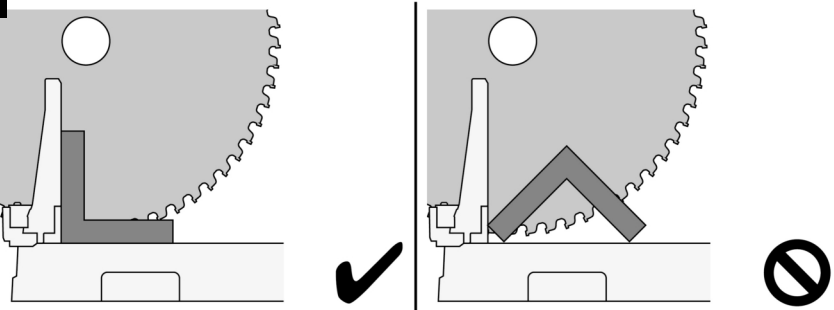
11



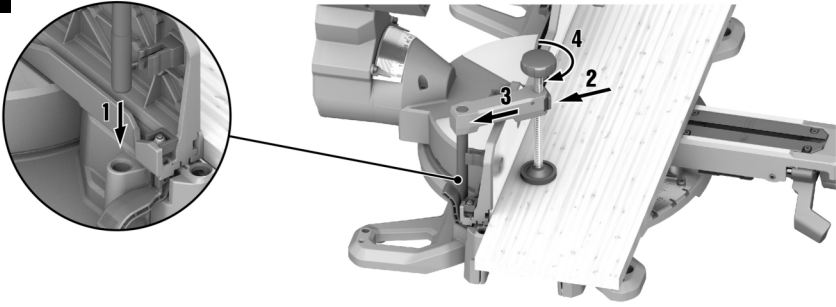
12



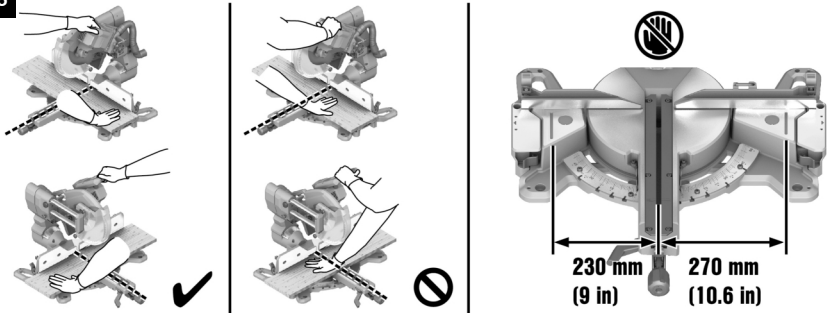
13



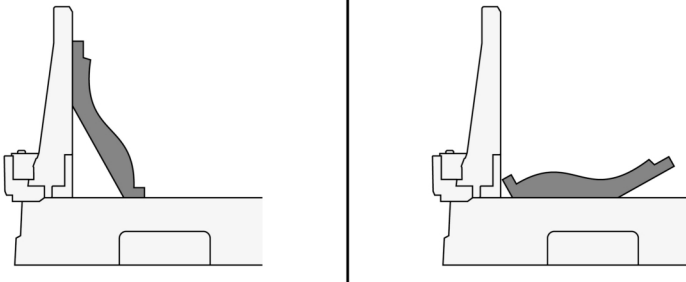
14



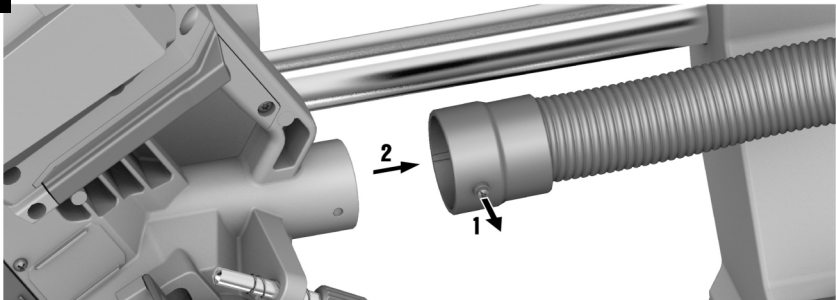
15



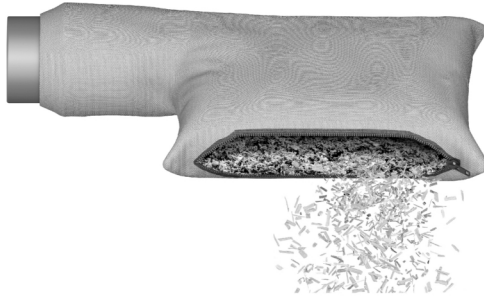
16



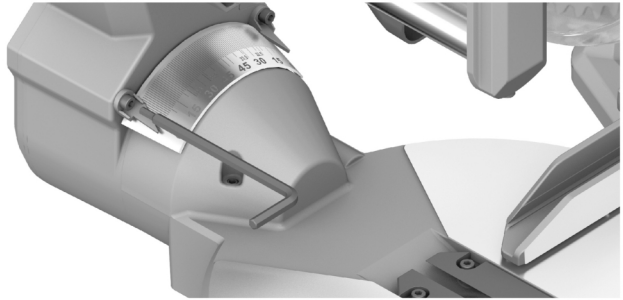
17



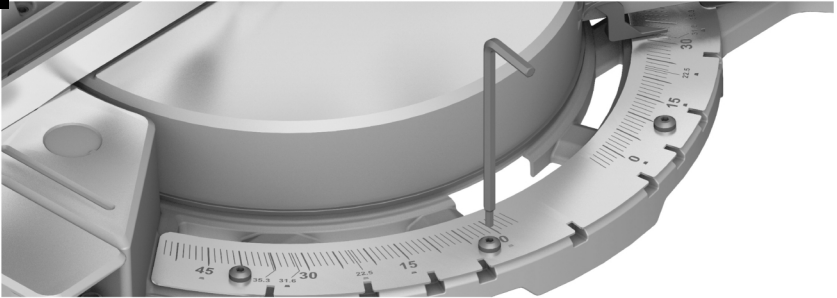
18



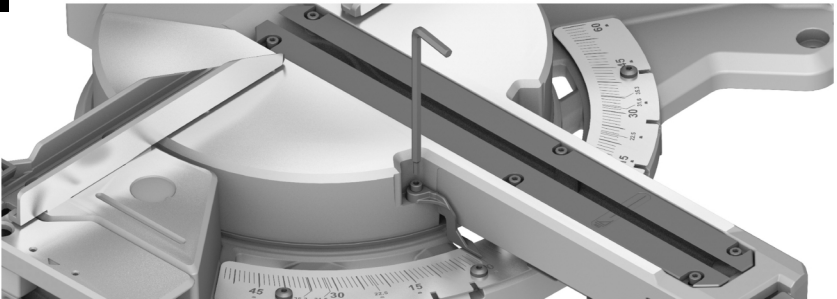
19



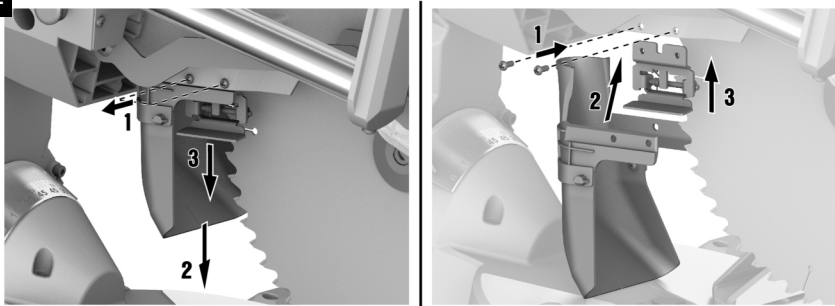
20



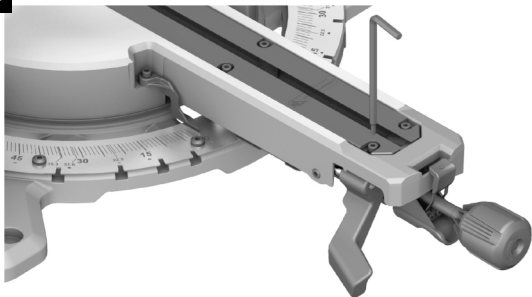
21



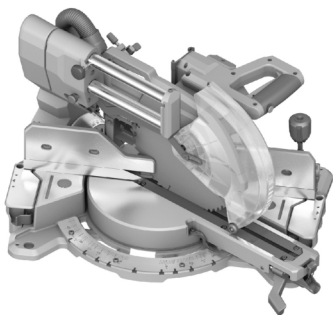
22



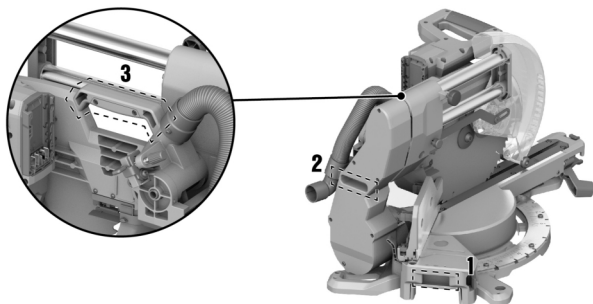
23



24



25



SM 60-22

en	Original operating instructions	1
da	Original brugsanvisning	23
sv	Originalbruksanvisning	46
no	Original bruksanvisning	68
fi	Alkuperäiset ohjeet	90
et	Originaalkasutusjuhend	113
lv	Originālā lietošanas instrukcija	135
lt	Originali naudojimo instrukcija	159
ru	Перевод оригинального руководства по эксплуатации	183
tr	Orijinal kullanım kılavuzu	209
ar	دليل الاستعمال الأصلي	233
ja	オリジナル取扱説明書	256
ko	오리지널 사용 설명서	278
zh	原始操作說明	299
cn	原版操作说明	318

Original operating instructions

1 Information about the operating instructions

1.1 About these operating instructions

- Warning! Read and understand all accompanying documentation, including but not limited to instructions, safety warnings, illustrations, and specifications provided with this product. Familiarize yourself with all the instructions, safety warnings, illustrations, specifications, components, and functions of the product before use. Failure to do so may result in electric shock, fire, and/or serious injury. Save all warnings and instructions for future reference.
- The accompanying documentation corresponds to the current state of the art at the time of printing. Please always check for the latest version on the product's page on Hilti's website. To do this, follow the link or scan the QR code in this documentation, marked with the symbol
- Ensure that these operating instructions are with the product when it is given to other persons.

1.2 Explanation of symbols

1.2.1 Warnings

Warnings alert persons to hazards that occur when handling or using the product. The following signal words are used:

DANGER

DANGER !

- ▶ Draws attention to imminent danger that will lead to serious personal injury or fatality.

WARNING

WARNING !

- ▶ Draws attention to a potential threat of danger that can lead to serious injury or fatality.

CAUTION

CAUTION !

- ▶ Draws attention to a potentially dangerous situation that could lead to personal injury or damage to the equipment or other property.

1.2.2 Symbols in the operating instructions

The following symbols are used in these operating instructions:

	Comply with the operating instructions
	Instructions for use and other useful information
	Dealing with recyclable materials
	Do not dispose of electric equipment and batteries as household waste
	Hilti Li-ion battery
	Hilti charger

1.2.3 Symbols in illustrations

The following symbols are used in illustrations:

2	These numbers refer to the illustrations at the beginning of these operating instructions.
3	The numbers in illustrations refer to important work steps or to components important for the work steps. In the text, the corresponding numbers draw attention to these work steps or components, e.g. (3) .



	Item reference numbers are used in the overview illustration and refer to the numbers used in the key in the product overview section.
	This symbol is intended to draw your special attention to certain points for handling the product.

1.3 Product-dependent symbols

1.3.1 General symbols

Symbols used in relation to the product.

	The product supports near-field communication (NFC) technology compatible with iOS and Android platforms.
	Direct current (DC)
n_0	Rated speed under no load
\varnothing	Diameter
	Dimensions of the saw blade
	Do not look into the light source.
Li-Ion	Li-ion battery
	Never strike the battery with an object and never use the battery as a striking tool.
	Do not drop the battery. Never use a battery that has suffered an impact or is damaged in any other way.

1.3.2 Prohibition symbols

Prohibition symbols indicate "must not do" actions.

	Danger zone! Keep hands, fingers and arms clear of this zone.
--	---

1.3.3 Obligation symbols

Obligation symbols indicate "must do" actions.

	Wear ear protection
	Wear eye protection

1.4 Product information

products are designed for professional users and only trained, authorized personnel are permitted to operate, service and maintain the products. This personnel must be specifically informed about the possible hazards. The product and its ancillary equipment can present hazards if used incorrectly by untrained personnel or if used not in accordance with the intended use.

The type designation and serial number are printed on the rating plate.

- Write down the serial number in the table below. You will be required to state the product details when contacting Hilti Service or your local Hilti organization to inquire about the product.

Product information

Cordless dual-bevel compound sliding miter saw	SM 60-22
Generation	01
Serial no.	



1.5 Declaration of conformity

The manufacturer declares, on his sole responsibility, that the product described here complies with the applicable legislation and standards. A copy of the declaration of conformity can be found at the end of this documentation.

The technical documentation is filed here:

Hilti Entwicklungsgesellschaft mbH | Tool Certification | Hiltistrasse 6 | D-86916 Kaufering, Germany

2 Safety

2.1 General power tool safety warnings

⚠ WARNING Read all safety warnings, instructions, illustrations and specifications provided with this power tool. Failure to follow all instructions listed below may result in electric shock, fire and/or serious injury. **Save all warnings and instructions for future reference.**

The term "power tool" in the warnings refers to your mains-operated (corded) power tool or battery-operated (cordless) power tool.

Work area safety

- ▶ **Keep work area clean and well lit.** Cluttered or dark areas invite accidents.
- ▶ **Do not operate power tools in explosive atmospheres, such as in the presence of flammable liquids, gases or dust.** Power tools create sparks which may ignite the dust or fumes.
- ▶ **Keep children and bystanders away while operating a power tool.** Distractions can cause you to lose control.

Electrical safety

- ▶ **Power tool plugs must match the outlet. Never modify the plug in any way. Do not use any adapter plugs with earthed (grounded) power tools.** Unmodified plugs and matching outlets will reduce risk of electric shock.
- ▶ **Avoid body contact with earthed or grounded surfaces, such as pipes, radiators, ranges and refrigerators.** There is an increased risk of electric shock if your body is earthed or grounded.
- ▶ **Do not expose power tools to rain or wet conditions.** Water entering a power tool will increase the risk of electric shock.
- ▶ **Do not abuse the cord. Never use the cord for carrying, pulling or unplugging the power tool. Keep cord away from heat, oil, sharp edges or moving parts.** Damaged or entangled cords increase the risk of electric shock.
- ▶ **When operating a power tool outdoors, use an extension cord suitable for outdoor use.** Use of a cord suitable for outdoor use reduces the risk of electric shock.
- ▶ **If operating a power tool in a damp location is unavoidable, use a residual current device (RCD) protected supply.** Use of an RCD reduces the risk of electric shock.

Personal safety

- ▶ **Stay alert, watch what you are doing and use common sense when operating a power tool. Do not use a power tool while you are tired or under the influence of drugs, alcohol or medication.** A moment of inattention while operating power tools may result in serious personal injury.
- ▶ **Use personal protective equipment. Always wear eye protection.** Protective equipment such as a dust mask, non-skid safety shoes, hard hat or hearing protection used for appropriate conditions will reduce personal injuries.
- ▶ **Prevent unintentional starting. Ensure the switch is in the off-position before connecting to power source and/or battery pack, picking up or carrying the tool.** Carrying power tools with your finger on the switch or energising power tools that have the switch on invites accidents.
- ▶ **Remove any adjusting key or wrench before turning the power tool on.** A wrench or a key left attached to a rotating part of the power tool may result in personal injury.
- ▶ **Do not overreach. Keep proper footing and balance at all times.** This enables better control of the power tool in unexpected situations.
- ▶ **Dress properly. Do not wear loose clothing or jewellery. Keep your hair and clothing away from moving parts.** Loose clothes, jewellery or long hair can be caught in moving parts.
- ▶ **If devices are provided for the connection of dust extraction and collection facilities, ensure these are connected and properly used.** Use of dust collection can reduce dust-related hazards.
- ▶ **Do not let familiarity gained from frequent use of tools allow you to become complacent and ignore tool safety principles.** A careless action can cause severe injury within a fraction of a second.



Power tool use and care

- ▶ **Do not force the power tool. Use the correct power tool for your application.** The correct power tool will do the job better and safer at the rate for which it was designed.
- ▶ **Do not use the power tool if the switch does not turn it on and off.** Any power tool that cannot be controlled with the switch is dangerous and must be repaired.
- ▶ **Disconnect the plug from the power source and/or remove the battery pack, if detachable, from the power tool before making any adjustments, changing accessories, or storing power tools.** Such preventive safety measures reduce the risk of starting the power tool accidentally.
- ▶ **Store idle power tools out of the reach of children and do not allow persons unfamiliar with the power tool or these instructions to operate the power tool.** Power tools are dangerous in the hands of untrained users.
- ▶ **Maintain power tools and accessories. Check for misalignment or binding of moving parts, breakage of parts and any other condition that may affect the power tool's operation. If damaged, have the power tool repaired before use.** Many accidents are caused by poorly maintained power tools.
- ▶ **Keep cutting tools sharp and clean.** Properly maintained cutting tools with sharp cutting edges are less likely to bind and are easier to control.
- ▶ **Use the power tool, accessories and tool bits etc. in accordance with these instructions, taking into account the working conditions and the work to be performed.** Use of the power tool for operations different from those intended could result in a hazardous situation.
- ▶ **Keep handles and grasping surfaces dry, clean and free from oil and grease.** Slippery handles and grasping surfaces do not allow for safe handling and control of the tool in unexpected situations.

Battery tool use and care

- ▶ **Recharge only with the charger specified by the manufacturer.** A charger that is suitable for one type of battery pack may create a risk of fire when used with another battery pack.
- ▶ **Use power tools only with specifically designated battery packs.** Use of any other battery packs may create a risk of injury and fire.
- ▶ **When battery pack is not in use, keep it away from other metal objects, like paper clips, coins, keys, nails, screws or other small metal objects, that can make a connection from one terminal to another.** Shorting the battery terminals together may cause burns or a fire.
- ▶ **Under abusive conditions, liquid may be ejected from the battery; avoid contact. If contact accidentally occurs, flush with water. If liquid contacts eyes, additionally seek medical help.** Liquid ejected from the battery may cause irritation or burns.
- ▶ **Do not use a battery pack or tool that is damaged or modified.** Damaged or modified batteries may exhibit unpredictable behaviour resulting in fire, explosion or risk of injury.
- ▶ **Do not expose a battery pack or tool to fire or excessive temperature.** Exposure to fire or temperature above 130° C (265 °F) may cause explosion.
- ▶ **Follow all charging instructions and do not charge the battery pack or tool outside the temperature range specified in the instructions.** Charging improperly or at temperatures outside the specified range may damage the battery and increase the risk of fire.

Service

- ▶ **Have your power tool serviced by a qualified repair person using only identical replacement parts.** This will ensure that the safety of the power tool is maintained.
- ▶ **Never service damaged battery packs.** Service of battery packs should only be performed by the manufacturer or authorized service providers.

2.2 Safety instructions for mitre saws

- ▶ **Mitre saws are intended to cut wood or wood-like products, they cannot be used with abrasive cut-off wheels for cutting ferrous material such as bars, rods, studs, etc.** Abrasive dust causes moving parts such as the lower guard to jam. Sparks from abrasive cutting will burn the lower guard, the kerf insert and other plastic parts.
- ▶ **Use clamps to support the workpiece whenever possible. If supporting the workpiece by hand, you must always keep your hand at least 100 mm (4 in) from either side of the saw blade. Do not use this saw to cut pieces that are too small to be securely clamped or held by hand.** If your hand is placed too close to the saw blade, there is an increased risk of injury from blade contact.
- ▶ **The workpiece must be stationary and clamped or held against both the fence and the table. Do not feed the workpiece into the blade or cut "freehand" in any way.** Unrestrained or moving workpieces could be thrown at high speeds, causing injury.



- ▶ **Push the saw through the workpiece. Do not pull the saw through the workpiece. To make a cut, raise the saw head and pull it out over the workpiece without cutting, start the motor, press the saw head down and push the saw through the workpiece.** Cutting on the pull stroke is likely to cause the saw blade to climb on top of the workpiece and violently throw the blade assembly towards the operator.
- ▶ **Never cross your hand over the intended line of cutting either in front or behind the saw blade.** Supporting the workpiece “cross handed” i.e. holding the workpiece to the right of the saw blade with your left hand or vice versa is very dangerous.
- ▶ **Do not reach behind the fence with either hand closer than 100 mm (4 in) from either side of the saw blade, to remove wood scraps, or for any other reason while the blade is spinning.** The proximity of the spinning saw blade to your hand may not be obvious and you may be seriously injured.
- ▶ **Inspect your workpiece before cutting. If the workpiece is bowed or warped, clamp it with the outside bowed face toward the fence. Always make certain that there is no gap between the workpiece, fence and table along the line of the cut.** Bent or warped workpieces can twist or shift and may cause binding on the spinning saw blade while cutting. There should be no nails or foreign objects in the workpiece.
- ▶ **Do not use the saw until the table is clear of all tools, wood scraps, etc., except for the workpiece.** Small debris or loose pieces of wood or other objects that contact the revolving blade can be thrown with high speed.
- ▶ **Cut only one workpiece at a time.** Stacked multiple workpieces cannot be adequately clamped or braced and may bind on the blade or shift during cutting.
- ▶ **Ensure the mitre saw is mounted or placed on a level, firm work surface before use.** A level and firm work surface reduces the risk of the mitre saw becoming unstable.
- ▶ **Plan your work. Every time you change the bevel or mitre angle setting, make sure the adjustable fence is set correctly to support the workpiece and will not interfere with the blade or the guarding system.** Without turning the tool “ON” and with no workpiece on the table, move the saw blade through a complete simulated cut to assure there will be no interference or danger of cutting the fence.
- ▶ **Provide adequate support such as table extensions, saw horses, etc. for a workpiece that is wider or longer than the table top.** Workpieces longer or wider than the mitre saw table can tip if not securely supported. If the cut-off piece or workpiece tips, it can lift the lower guard or be thrown by the spinning blade.
- ▶ **Do not use another person as a substitute for a table extension or as additional support.** Unstable support for the workpiece can cause the blade to bind or the workpiece to shift during the cutting operation pulling you and the helper into the spinning blade.
- ▶ **The cut-off piece must not be jammed or pressed by any means against the spinning saw blade.** If confined, i.e. using length stops, the cut-off piece could get wedged against the blade and thrown violently.
- ▶ **Always use a clamp or a fixture designed to properly support round material such as rods or tubing.** Rods have a tendency to roll while being cut, causing the blade to “bite” and pull the work with your hand into the blade.
- ▶ **Let the blade reach full speed before contacting the workpiece.** This will reduce the risk of the workpiece being thrown.
- ▶ **If the workpiece or blade becomes jammed, turn the mitre saw off. Wait for all moving parts to stop and disconnect the plug from the power source and/or remove the battery pack. Then work to free the jammed material.** Continued sawing with a jammed workpiece could cause loss of control or damage to the mitre saw.
- ▶ **After finishing the cut, release the switch, hold the saw head down and wait for the blade to stop before removing the cut-off piece.** Reaching with your hand near the coasting blade is dangerous.
- ▶ **Hold the handle firmly when making an incomplete cut or when releasing the switch before the saw head is completely in the down position.** The braking action of the saw may cause the saw head to be suddenly pulled downward, causing a risk of injury.

2.3 Additional safety instructions

- ▶ Use the product and accessories only when they are in perfect working order.
- ▶ Never tamper with or modify the product or accessories in any way.
- ▶ Risk of injury by falling tools and/or accessories. Before starting work, check that the battery and installed accessories are secure.



- ▶ Dust produced by grinding, sanding, cutting and drilling can contain dangerous chemicals. Some examples are: lead or lead-based paints; brick, concrete and other masonry products, natural stone and other products containing silicates; certain types of wood, such as oak, beech and chemically treated wood; asbestos or materials that contain asbestos. Determine the exposure of the operator and bystanders by means of the hazard classification of the materials to be worked. Implement the necessary measures to restrict exposure to a safe level, for example by the use of a dust collection system or by the wearing of suitable respiratory protection. The general measures for reducing exposure include:
 - ▶ working in an area that is well ventilated,
 - ▶ avoidance of prolonged contact with dust,
 - ▶ directing dust away from the face and body,
 - ▶ wearing protective clothing and washing exposed areas of the skin with water and soap.
- ▶ Wear eye protection, a hard hat and ear protection and suitable respiratory protection while the product is in use.
- ▶ Take frequent breaks and do physical exercises to improve the blood circulation in your fingers. High vibration during long periods of work can lead to disorders of the blood vessels and nervous system in the fingers, hands and wrists.
- ▶ Keep the air vents clear at all times. Risk of burn injuries due to blocked air vents!
- ▶ Do not let go of the grip after guiding the saw head down. Always guide the saw head smoothly back to the top position. Any uncontrolled movement of the saw head can lead to a risk of injury.
- ▶ Do not use dull, cracked, buckled or damaged saw blades. Saw blades with dull or incorrectly set teeth produce a narrow kerf, causing excessive friction, blade binding and kickback.
- ▶ Never attempt to remove offcuts, wood chips or the like from the cutting zone while the saw is running. Always first switch the saw off and guide the saw head back to the top position.
- ▶ Use only saw blades approved for the product that comply with the specifications set out in the technical data and/or on the product (e.g. diameter, speed of rotation, thickness, arbor hole size, material, etc...) and are tested and marked in accordance with the EN 847-1 standard.
- ▶ Use only saw blades with a rated maximum permissible speed at least as high as the maximum speed stated on the product.
- ▶ After working, do not touch the saw blade until it has cooled down. The saw blade gets very hot when work is in progress.
- ▶ Wear protective gloves when changing the saw blade.
- ▶ Before using the saw, always check that the guard closes correctly. Move the saw head down and guide it smoothly back up to the top position. Do not operate the saw if the guard does not move freely and close instantly as soon as the saw head is lifted. Never clamp or tie the lower guard in the open position.
- ▶ Never use the product without the guard.
- ▶ When cutting aluminum profiles, always run the power tool at low speed.
- ▶ Use and always secure the extension supports mounted on the product.
- ▶ For transport, hold the product only at the points provided for the purpose (grip recesses and transport handle). Never carry the power tool by the sliding arm or the grip. → page 21
- ▶ Avoid overheating the tips of the saw blade teeth. When cutting plastic, melting of the plastic should be avoided.

2.4 Careful handling and use of batteries

- ▶ **Comply with the following safety instructions for the safe handling and use of Li-ion batteries.** Failure to comply can lead to skin irritation, severe corrosive injury, chemical burns, fire and/or explosion.
- ▶ Use only batteries that are in perfect working order.
- ▶ Treat batteries with care in order to avoid damage and prevent leakage of fluids that are extremely harmful to health!
- ▶ Do not under any circumstances modify or tamper with batteries!
- ▶ Do not disassemble, crush or incinerate batteries and do not subject them to temperatures over 80 °C (176 °F).
- ▶ Never use or charge a battery that has suffered an impact or been damaged in any other way. Check your batteries regularly for signs of damage.
- ▶ Never use recycled or repaired batteries.
- ▶ Never use the battery or a battery-operated power tool as a striking tool.
- ▶ Never expose batteries to the direct rays of the sun, elevated temperature, sparking, or open flame. This can lead to explosions.
- ▶ Do not touch the battery poles with your fingers, tools, jewelry, or other electrically conductive objects. This can damage the battery and also cause material damage and personal injury.



- ▶ Keep batteries away from rain, moisture and liquids. Penetrating moisture can cause short circuits, electric shock, burns, fire and explosions.
- ▶ Use only chargers and power tools approved for the specific battery type. Read and follow the relevant operating instructions.
- ▶ Do not use or store the battery in explosive environments.
- ▶ If the battery is too hot to touch, it may be defective. Put the battery in a place where it is clearly visible and where there is no risk of fire, at an adequate distance from flammable materials. Allow the battery to cool down. If it is still too hot to touch after an hour, the battery is faulty. Consult **Hilti** Service or read the document entitled "Instructions on safety and use for **Hilti** Li-ion batteries".

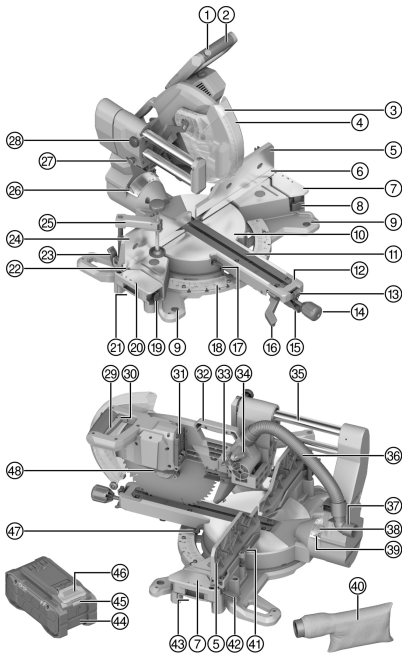


Observe the special guidelines applicable to the transport, storage and use of lithium-ion batteries. Read the instructions on safety and use of **Hilti** Li-ion batteries that you can access by scanning the QR code at the end of these operating instructions.



3 Description

3.1 Product overview



- ① Switch-on interlock
- ② Grip
- ③ LED cutting line indicator
- ④ Guard
- ⑤ Top miter fence, right
- ⑥ Bottom miter fence, right
- ⑦ Extension support, right
- ⑧ Release lever for extension support, right
- ⑨ Mounting hole
- ⑩ Turntable
- ⑪ Slot plates
- ⑫ Arm, turntable
- ⑬ Detent position, release lever for turntable
- ⑭ Locking knob for turntable
- ⑮ Release lever, turntable
- ⑯ Release lever, bevel angle
- ⑰ Pointer, miter angle left
- ⑱ Scale for miter angle
- ⑲ Release lever, extension support, left
- ⑳ Extension support, left
- ㉑ Grip recess, left
- ㉒ Bottom miter fence, left
- ㉓ Release lever, top miter fence, left
- ㉔ Top miter fence, left
- ㉕ Screw clamp
- ㉖ Pointer, bevel angle left
- ㉗ Transport lock
- ㉘ Locking screw, carriage
- ㉙ On/off switch
- ㉚ Hole for padlock
- ㉛ Battery interface
- ㉜ Transport handle
- ㉝ Stop plate, depth gauge
- ㉞ Depth gauge
- ㉟ Carriage / slider bar
- ㊱ Connecting hose, dust extractor
- ㊲ Dust removal connector
- ㊳ Scale for bevel angle
- ㊴ Pointer, bevel angle right
- ㊵ Dust bag
- ㊶ Hex key
- ㊷ Release lever, top miter fence, right
- ㊸ Grip recess, right
- ㊹ Battery
- ㊺ Battery status indicator
- ㊻ Release button, battery
- ㊼ Pointer, miter angle right
- ㊽ Spindle lock button



3.2 Intended use

The product described is a cordless dual-bevel compound sliding miter saw. It is designed for sawing wood, wood products, plastic and aluminum profiles. Cross cuts, bevel cuts and miter cuts can be performed with the product.

The product has a hose connector for sawdust extraction that is designed for common types of vacuum cleaner hose. A suitable adapter might be required for connecting the dust-extractor hose to the saw.

- Use the saw only in combination with the swarf bag supplied or with a suitable dust extractor.
- Use only saw blades approved for the product that comply with the specifications set out in the technical data (e.g. diameter, speed of rotation, thickness, material, etc...). Grinding and cut-off wheels and saw blades made of highly alloyed high speed steel (HSS) are not permissible.
- Never cut magnesium with the product.
- For this product, use only **Hilti** Nuron lithium-ion batteries of the B 22 series. For optimum performance, **Hilti** recommends the batteries stated in the table at the end of these operating instructions for this product.
- For these batteries, use only **Hilti** chargers of the type series stated in the table at the end of these operating instructions.

3.3 Items supplied

Dual-bevel compound sliding miter saw, saw blade, clamping flange, mounting flange, clamping screw, hex key, screw clamp, locking knob for turntable, operating instructions

Other system products approved for use with this product can be found at your local **Hilti Store** or at: www.hilti.group

3.4 Status indicators of the Li-ion battery

Hilti Nuron Li-ion batteries can indicate state of charge, fault messages and the battery's state of health.

3.4.1 Indicators for state of charge and fault messages

WARNING

Risk of injury by a falling battery!

- ▶ If the release button is pressed with a battery inserted in the product, subsequently check that the battery is correctly re-engaged and secure.

Short-press the release button of the battery to get whichever of the following status indications is applicable at the time.

State of charge and, if applicable, faults are indicated constantly as long as the connected product is switched on.

Status	Meaning
Four (4) LEDs show constantly green	State of charge: 100 % to 71 %
Three (3) LEDs show constantly green	State of charge: 70 % to 51 %
Two (2) LEDs show constantly green	State of charge: 50 % to 26 %
One (1) LED shows constantly green	State of charge: 25 % to 10 %
One (1) LED slow-flashes green	State of charge: < 10 %
One (1) LED quick-flashes green	The Li-ion battery is completely discharged. Recharge the battery. If the LED again starts quick-flashing after the battery has been charged, consult Hilti Service.
One (1) LED quick-flashes yellow	The Li-ion battery or the product in which it is inserted is overloaded, too hot or too cold, or experiencing some other fault. Bring the product and the battery to the recommended working temperature and do not overload the product when it is in use. If the message persists, consult Hilti Service.



Status	Meaning
One (1) LED shows yellow	The Li-ion battery and the product in which it is inserted are not compatible. Consult Hilti Service .
One (1) LED quick-flashes red	The Li-ion battery is locked and cannot be used. Consult Hilti Service .

3.4.2 Indicators showing the battery's state of health

To check the battery's state of health, press the release button and hold it down for longer than three seconds. The system does not detect a potential malfunction of the battery due to misuse, for example battery dropped or pierced, external heat damage, etc.

Status	Meaning
All LEDs show in sequence, followed by one (1) LED showing constantly green.	The battery can remain in use.
All LEDs show in sequence, followed by one (1) LED quick-flashing yellow.	The check to ascertain the battery's state of health did not complete. Repeat the procedure, or consult Hilti Service .
All LEDs show in sequence, followed by one (1) LED showing constantly red.	If a connected product can still be used, the remaining battery capacity is below 50 %. If a connected product can no longer be used, the battery has reached the end of its useful life and has to be replaced. Consult Hilti Service .

4 Technical data

4.1 Product properties

Rated voltage	21.6 V	
Rated speed under no load	4,300 /min	
Saw blade diameter	305 mm	
Saw blade disc thickness	0.5 mm ... 1.5 mm	
Saw blade arbor size	30 mm	
Kerf width	3.2 mm	
Maximum miter angle	Right	≤ 60°
	Left	≤ 52°
Maximum bevel angle	Right	≤ 48°
	Left	≤ 48°
Maximum cutting capacity regardless of other dimensions or miter angles	Height	≤ 100 mm
	Width	≤ 360 mm
Weight	25.6 kg (in accordance with EPTA-Procedure 01 without battery)	
Ambient temperature for operation	-17 °C ... 60 °C	
Storage temperature	-20 °C ... 70 °C	

4.2 Battery

Battery operating voltage	21.6 V
Weight, battery	See the end of these operating instructions
Ambient temperature for operation	-17 °C ... 60 °C
Storage temperature	-20 °C ... 40 °C
Battery charging starting temperature	-10 °C ... 45 °C



4.3 Noise information and vibration values in accordance with EN 62841

The sound pressure and vibration values given in these instructions were measured in accordance with a standardized test and can be used to compare one power tool with another. They can also be used for a preliminary assessment of exposure.

The data given represent the main applications of the power tool. However, if the power tool is used for different applications, with different accessory tools, or is poorly maintained, the data can vary. This can significantly increase exposure over the total working period.

An accurate estimation of exposure should also take into account the times when the tool is switched off, or when it is running but not actually being used for a job. This can significantly reduce exposure over the total working period.

Identify additional safety measures to protect the operator from the effects of noise and/or vibration, for example: maintaining the power tool and accessory tools, keeping the hands warm, organization of work patterns.

Noise information

Sound power level (L_{WA})	101 dB(A)
Sound pressure level (L_{pA})	90 dB(A)
Uncertainty (for L_{WA} and L_{pA})	3 dB(A)

Total vibration

Vibration emission value	B 22-55	≤ 2.5 m/s ²
	B 22-255	≤ 2.5 m/s ²
Uncertainty		1.5 m/s ²

4.4 Maximum cutting capacity

The height and width dimensions as stated are interdependent. The values for maximum possible height and width are to be found in the section headed Product properties → page 10.

Miter angle	Bevel angle	Height x width
0°	0°	100 mm x 355 mm
	22.5° right	72 mm x 355 mm
	22.5° left	90 mm x 355 mm
	30° right	60 mm x 355 mm
	30° left	78 mm x 355 mm
	45° right	40 mm x 355 mm
	45° left	65 mm x 340 mm
	48° right	30 mm x 355 mm
	48° left	50 mm x 355 mm
45° right 45° left	0°	100 mm x 250 mm
	45° right	40 mm x 250 mm
	45° left	62 mm x 250 mm
52° left	0°	100 mm x 200 mm
	45° right	40 mm x 220 mm
	45° left	62 mm x 220 mm
60° right	0°	100 mm x 176 mm
	45° right	40 mm x 178 mm
	45° left	30 mm x 190 mm



5 Preparations at the workplace

WARNING

Risk of injury by inadvertent starting!

- ▶ Before inserting the battery, make sure that the product is switched off.
 - ▶ Remove the battery before making any adjustments to the power tool or before changing accessories.
-

Observe the safety instructions and warnings in this documentation and on the product.

5.1 Installing locking knob

In the as-delivered condition, the locking knob of the turntable is not installed. It must be installed before the saw is used.

- ▶ Screw the locking knob into the arm of the turntable.

5.2 Charging the battery

1. Before charging the battery, read the operating instructions for the charger.
2. Make sure that the contacts on the battery and the contacts on the charger are clean and dry.
3. Use an approved charger to charge the battery. → page 9

5.3 Inserting the battery

WARNING

Risk of injury by short circuit or falling battery!

- ▶ Before inserting the battery, make sure that the contacts on the battery and the contacts on the product are free of foreign matter.
 - ▶ Make sure that the battery always engages correctly.
-

1. Charge the battery fully before using it for the first time.
2. Push the battery into the product until it engages with an audible click.
3. Check that the battery is seated securely.

5.4 Removing the battery

1. Press the battery release button.
2. Remove the battery from the product.

5.5 Installing product

The product has to be secured to a flat, sturdy surface.

1. Set the product on a flat, sturdy surface.
2. Screw the product to the worktop through the securing holes. Use screws suitable for this purpose.
3. Alternatively, secure the feet of the power tool to the worktop with commercially available screw clamps.



Hilti offers an optional stand on which the product can be installed for mobile use.

5.6 Bringing to working position 2

1. Press the saw head down slightly and pull the transport lock out.
2. Guide the saw head smoothly up.

5.7 Dust removal system

5.7.1 Installing the dust bag

The dust bag permits clean working and collects a large proportion of the dust produced.

- ▶ Connect the dust bag to the dust removal connector.



5.7.2 Connecting dust extractor

The dust extractor must be suitable for the material to be worked. For vacuuming off hazardous, carcinogenic or dry dusts, use a suitable special vacuum extractor.

- ▶ Connect the suction hose to the dust removal connector.

5.8 Installing the saw blade

Check that the blade to be fitted complies with the technical requirements and that it is well sharpened. A sharp saw blade is an essential requirement for a perfect cut.

1. Clean the mounting flange and the clamping flange.
2. Slip the mounting flange right way round on to the arbor (1).
3. Open the pivoting guard (2).
4. Insert the new saw blade.



Note the direction-of-rotation arrows (3) on the saw blade and on the product. They must point in the same direction.

5. Place the outer clamping flange in position, right way round (4).
6. Install the clamping screw.
7. Insert the hex key into the saw blade clamping screw.
8. Press and hold down the spindle lock button (5).
9. Use the hex key to tighten the clamping screw (6).
10. Check that the saw blade is seated correctly.
11. Check that the saw blade has clearance. It is not permissible for the saw blade to come into contact with other components of the saw in any combination of settings (miter angle and/or bevel angle).
12. Insert the hex key into the holder provided for the purpose.

5.9 Removing the saw blade



WARNING

Risk of burns and cut injuries at saw blade, clamping screw and clamping flange The consequences can be burns and cut injuries.

- ▶ Wear protective gloves when changing saw blades.

1. Press and hold down the spindle lock button (1).
2. Use the hex key to slacken the clamping screw (2).
3. Remove the clamping screw and the clamping flange (3).
4. Open the pivoting guard (4) and remove the saw blade (5).



If necessary, the mounting flange can be removed for cleaning.

6 Operation

Observe the safety instructions and warnings in this documentation and on the product.

6.1 Latching / unlatching carriage

The carriage can be latched at any point along its line of movement.

1. To latch the carriage, turn the locking screw (1) clockwise.
 - ▶ The locking screw clamps the slider bar, preventing the sliding movement.
2. To unlock the carriage, turn the locking screw (1) counter-clockwise.

6.2 Setting the cutting depth on the depth gauge

Use the depth gauge when you want to saw a groove, for example.

1. Swivel the stop plate (1) of the depth gauge so that the depth gauge does not pass through the opening when the saw head is lowered.
2. Turn the knurled screw to set the desired cutting depth (2).



- When you no longer want to limit the cutting depth, swivel the stop plate **(1)** so that the depth gauge passes through the opening when the saw head is lowered.

6.3 Extending saw table **7**

WARNING

Risk of injury by long workpieces. Long workpieces can tilt erratically out of position while cutting is in progress, lift up the guard, pinch the saw blade and lead to kickback.

- ▶ Support long workpieces with additional sawhorses or comparable supporting structures.

The contact surface of the saw table can be extended to right and/or left with the extension supports.

- Open the release lever of the extension support **(1)**.
- Pull the extension support out **(2)**.
- Lock the release lever of the extension support **(1)**.
- If necessary, repeat these steps for the opposing extension support.

6.4 Setting top miter fences **8, 9**

Depending on the bevel angle and/or the miter angle setting, the top miter fences have to be moved outward or completely removed.

- Open the release lever **(1)** of the top miter fence, left or right.
- Pull the top miter fence **(2)** outward as far as necessary or remove the miter fence.
- Close the release lever **(1)**.
 - ▶ Reinstall the top miter fences at the innermost position when you are going to make straight cuts.
- If it has been removed, the top miter fence can be secured to the rods of the extension support for safekeeping while the sawing operation is in progress.

6.5 Setting miter angle **10**

WARNING

Risk of injury if turntable not latched. If not latched the turntable can turn while the cut is in progress, skewing the workpiece and leading to kickback.

- ▶ Always tighten the locking knob of the turntable before you perform a cut.

Conditions: Standard miter angles

For quick, accurate selection of the commonly used miter angles, there are notches on the scale of the miter angle. The turntable can be latched at these notches.

Detent positions, miter angle

Left	Middle	Right
45°; 31.6°; 22.5°; 15°	0°	15°; 22.5°; 31.6°; 45°; 60°

- ▶ If applicable, loosen the locking knob of the turntable **(2)**.
- ▶ Pull the release lever of the turntable up and hold it in this position **(1)** and turn the turntable to a position just short of the desired miter angle **(3)**.
- ▶ Let go of the turntable release lever and turn the turntable farther until the latching mechanism engages at the desired miter angle.
- ▶ Tighten the locking knob of the turntable **(2)**.

Conditions: Any miter angle

Apart from the standard miter angles, a freely selectable miter angle can be set.

- ▶ If applicable, loosen the locking knob of the turntable **(2)**.
- ▶ Pull the release lever of the turntable **(1)** up and latch it **(4)**.
- ▶ Set the turntable to the desired miter angle **(3)**.
- ▶ Tighten the locking knob of the turntable **(2)**.



6.6 Setting bevel angle **11**

WARNING

Risk of injury if inclination mechanism for bevel cut not latched. If the adjuster of the bevel angle is not latched the saw head can tilt while cutting is in progress, leading to kickback.

- ▶ After adjusting, always push the release lever of the bevel angle fully down to latch the inclination mechanism.

CAUTION

Risk of injury by top miter fences. When set for a bevel angle cut, the saw blade can collide with the top miter fences, leading to damage and kickback.

- ▶ After setting the bevel angle for a bevel cut, always check that the saw blade has clearance and set the top miter fences as far out as necessary.

For quick, accurate selection of the commonly used bevel angles, the saw head can be latched at any of several positions.

Detent positions, bevel angle

Left	Middle	Right
45°; 33.9°; 22.5°	0°	22.5°; 33.9°; 45°

- ▶ Pull the release lever of the bevel angle adjuster up to disengage it **(2)**.
- ▶ Pull the release lever of the vertical angle adjuster fully up so that the saw head can be moved freely **(3)**.
- ▶ Let go of the release lever and tilt the saw head until the latching mechanism engages.
 - ▶ The saw head can be latched at any of the positions stated above.
- ▶ Then push the release lever fully down **(1)** to lock the saw head at the set position.
- ▶ If you want to freely select a bevel angle, hold the release lever of the bevel angle adjuster in the topmost position **(3)** until you have reached the desired bevel angle.
- ▶ Then push the release lever fully down **(1)** to lock the saw head at the set position.
- ▶ Set the top miter fences to a position where they cannot collide with the saw blade. → page 14

6.7 Activating cutting line indicator

The saw has a cutting line indicator. An LED in the saw head illuminates the work area and creates a shadow cast by the saw blade that precisely indicates the cutting line.

1. Activate the on / off switch without pressing the switch-on interlock.
 - ▶ The LED is activated.
2. Guide the saw head down.
 - ▶ The shadow of the saw blade appears on the workpiece and shows the cutting line.
3. If necessary, adjust the workpiece or the setting for the miter angle and/or bevel angle to match the cutting line.

6.8 Positioning and securing workpiece **12, 13, 14**

WARNING

Risk of injury due to twisted wood. A twisted and/or bowed workpiece can skew against the saw blade and lead to kickback.

- ▶ Always position twisted or bowed workpieces with the outward curving side against the miter fence. Never position a workpiece in such a way that a gap is produced between workpiece and miter fences.

WARNING

Risk of injury due to incorrect positioning of the workpiece. An incorrectly positioned workpiece can skew against the saw blade and lead to kickback.

- ▶ Always position the workpiece such that it is seated with the largest possible contact surface on the turntable, the supports and the miter fences.



 **WARNING**

Risk of injury by unsecured workpiece! If the workpiece is not correctly secured against the miter fence, the workpiece can shift during cutting and cause possible damage to the saw blade, which can lead to ejection of the workpiece and loss of control.

- ▶ For all operations, the workpiece has to be firmly secured against the turntable and the miter fence with the screw clamp.

 **WARNING**

Risk of injury by contact between components of the saw and the screw clamp! Contact with the screw clamp can damage the saw blade. The protective devices can be obstructed by the screw clamp and restricted in their functionality. The movement of the saw head can be obstructed by the screw clamp, leading to kickback.

- ▶ With the saw switched off, perform a dry run of the expected movement. Make sure that no components of the saw come into contact with the screw clamp.
 - ▶ If necessary, reposition the screw clamp on the saw.
-
- ▶ Press the release button of the screw clamp **(2)** and pull the threaded rod all the way up.
 - ▶ Insert the screw clamp into one of the openings provided for the purpose **(1)**.
 - ▶ Press the workpiece firmly against the bottom miter fence.
 - ▶ Press the release button of the screw clamp to quickly adjust the threaded rod to the workpiece **(2)**.
 - ▶ Tilt the screw clamp to the rear, opposite to the position of the threaded rod **(3)**. Then tighten the threaded rod by screwing the knob clockwise to secure the workpiece **(4)**.
 - ▶ To release the workpiece, screw the threaded rod counter-clockwise. Then press the release button of the screw clamp and pull the threaded rod all the way up.

6.9 Setting speed

- ▶ Set the speed by means of the speed adjusting knob.

6.10 Switching on / off

 **WARNING**

Risk of injury by kickback.

- ▶ Switch the saw on only when the saw blade is not in contact with the workpiece.

 **WARNING**

Risk of injury by kickback.

- ▶ After switching off, keep the saw head in the bottommost position until the saw blade has come to a standstill.

1. Press and hold down the switch-on interlock.
2. Press and hold down the on/off switch.
 - ▶ The saw runs.
3. To switch the saw off, release the on / off switch.

6.11 Sawing

 **WARNING**

Risk of injury due to incorrect positioning of hands and arms. If positioning is incorrect the rotating saw blade can come into contact with arms and hands and cause serious injuries.

- ▶ Never cross over your arms when sawing. Never cross an arm or hand over the cutting line.
- ▶ Keep arms and hands outside the marked danger zone to right and left of the saw blade.


Correct posture and correct positioning of the hands when working with the miter saw make cutting easier, more accurate and safer.

Stand firmly with both feet on the floor and maintain your balance. When you move the miter arm to left or right follow it and stand slightly to one side of the saw blade.

Keep the danger zone of 230 mm (9 in) to the left and 270 mm (10.4 in) to the right of the saw blade clear. Keep hands, arms and other body parts outside this danger zone.



Keep your hands in position until the on / off switch has been released and the saw blade has come to a complete standstill.

 To perform the cut, push the saw head down gently and smoothly. Excessive pressure or the application of force at an angle to the cutting line can cause the saw blade to oscillate, which can produce additional saw marks in the workpiece and impair the accuracy of the cut.

6.11.1 Sawing without push movement (chop sawing)

WARNING

Risk of injury if carriage not latched. If not latched the carriage can cause an unexpected sliding movement of the saw head, leading to kickback.

► Always latch the carriage for making chop cuts.


1. Push the saw head all the way back (away from you).
2. Latch the carriage. → page 13
3. Position the stop plate of the depth gauge so that the depth gauge passes through the opening when the saw head is lowered. → page 13
4. Adjust all the settings of the saw (angles, miter fences, contact surfaces) to suit the requirements of the cut you are going to perform.
5. Secure the workpiece. → page 15
6. Switch the saw on. → page 16
7. Guide the saw head slowly down and saw through the workpiece at a steady rate of advance.
8. Switch the saw off and wait until the saw blade comes to a standstill.
9. Guide the saw head back up to the top position.

6.11.2 Sawing with push movement

WARNING

Kickback due to incorrect movement of the saw head. Incorrect movement of the saw head in the course of a cut with push movement can cause a kickback.

- Before making a cut, always first pull the saw head all the way out, then lower it and finally push it toward the miter fences.
- Never pull the saw head toward you when the saw blade has already entered the workpiece.

 When making a cut with push movement, push the saw head to the miter fence gently and without pausing. If the push movement is interrupted in the course of the cut, the saw blade leaves marks on the workpiece and the accuracy of the cut is impaired.

1. If necessary, unlock the carriage. → page 13
2. Position the stop plate of the depth gauge so that the depth gauge passes through the opening when the saw head is lowered. → page 13
3. Adjust all the settings of the saw (angles, miter fences, contact surfaces) to suit the requirements of the cut you are going to perform.
4. Secure the workpiece. → page 15
5. Pull the saw head all the way toward you.
6. Switch the saw on. → page 16
7. Slowly guide the saw head down.
8. Keep the saw head in its bottommost position and slowly push it back (away from you). Saw the workpiece through at a steady rate of advance.
9. Switch the saw off and wait until the saw blade comes to a standstill.
10. Guide the saw head back up to the top position.

6.11.3 Sawing a groove

1. Adjust the depth gauge to the desired cutting depth. → page 13
2. Perform a cut with push movement. → page 17



6.11.4 Sawing moldings



WARNING

Risk of injury due to incorrect securing of the workpiece. An incorrectly secured workpiece can skew against the saw blade and lead to kickback.

- ▶ When you position the molding against the miter fence, take extra care to ensure that the molding is adequately secured to prevent it moving out of position. → page 15

Moldings can be sawed in either of two ways:

- set upright against the miter fence
- Laid flat on the saw table
- ▶ Make the cut with or without push movement, depending on the width of the molding.
- ▶ First test the set miter angle and/or the bevel angle on an offcut.

7 Care and maintenance



WARNING

Risk of injury with battery inserted !

- ▶ Always remove the battery before carrying out care and maintenance tasks!

Care of the product

- Carefully remove stubborn dirt.
- Clean the air vents carefully using a dry, soft brush.
- Use only a slightly damp cloth to clean the housing. Do not use cleaning agents containing silicone as these can attack the plastic parts.
- Use a dry, clean cloth to clean the contacts of the product.
- Clean the slider bars of the carriage and the extension supports at regular intervals. After each cleaning, apply a few drops of oil to all slider bars.
- Clean the contact surfaces of the top miter fences at regular intervals. Regrease the contact surfaces as necessary.

Care of the Li-ion batteries

- Never use a battery with clogged air vents. Clean the air vents carefully using a dry, soft brush.
- Avoid unnecessary exposure of the battery to dust and dirt. Never expose the battery to high levels of moisture (e.g. by being dipped in water or left in the rain).
If a battery has been soaked by moisture, treat it as a damaged battery. Isolate it in a non-flammable container and consult **Hilti Service**.
- Keep the battery free of extraneous oil and grease. Do not permit dust or dirt to accumulate unnecessarily on the battery. Clean the battery with a dry, soft brush or a clean, dry cloth. Do not use cleaning agents containing silicone as these can attack the plastic parts.
Do not touch the contacts of the battery and do not remove the factory-applied grease from the contacts.
- Use only a slightly damp cloth to clean the housing. Do not use cleaning agents containing silicone as these can attack the plastic parts.

Maintenance

- Check all visible parts and controls for signs of damage at regular intervals and make sure that they all function correctly.
- Do not use the product if signs of damage are found or if parts malfunction. Immediately have the product repaired by **Hilti Service**.
- After cleaning and maintenance, install all guards and protective devices and check that they are in full working order.



To help ensure safe and reliable operation, use only genuine Hilti spare parts and consumables. Spare parts, consumables and accessories approved by **Hilti** for use with your product can be found at your **Hilti Store** or online at: www.hilti.group

7.1 Cleaning the guard

1. Remove the saw blade. → page 13
2. Clean the parts of the guard carefully with a dry brush.



3. Use a suitable tool to remove deposits or cuttings from the inside surfaces of the parts of the guard.
4. Install the saw blade. → page 13

7.2 Cleaning dust removal adapter and connecting hose **17**

1. Remove the dust bag or disconnect the suction hose of the dust extractor.
2. Slacken the securing screw of the connecting hose on the saw head **(1)**.
3. Disconnect the connecting hose from the saw head **(2)** and from the dust removal adapter.
4. Empty the connecting hose and clean it with a dry brush.
5. Clean the chip ejector channel on the saw head and the dust removal adapter with a dry brush.
6. Reconnect the connecting hose to the dust removal adapter and the saw head.
7. Tighten the securing screw of the connecting hose on the saw head.
8. Install the dust bag or reconnect the dust extractor. → page 12

7.3 Emptying dust bag **18**

1. Disconnect the dust bag from the intake adapter.
2. Open the zip fastener of the dust bag and dispose of the contents correctly.
3. Close the zip fastener of the dust bag.
4. Reinstall the dust bag on the dust removal adapter. → page 12

7.4 Checking and adjusting settings and indicators

The dual-bevel compound sliding miter saw was carefully set up and adjusted before it left the factory. However, after intensive use or rough treatment it might be necessary to check the saw's settings and indicators and make adjustments as required.

Experience and special tools are necessary for checking and adjusting the saw.

Hilti recommends having the saw adjusted only by **Hilti Service**.



When performing checking and adjustment work with the angle gauge, do not touch the tips of the saw teeth with the gauge. This would result in incorrect measurement. The angle gauge must always be matched to the saw blade disc.

7.4.1 Checking bevel angle

1. Push the saw head all the way back (away from you).
2. Position the stop plate of the depth gauge so that the depth gauge passes through the opening when the saw head is lowered. → page 13
3. Set the miter angle to 0°.
4. Push the saw head down and engage the transport lock to lock the saw head.
5. Set the bevel angle to 0°.
6. Set an angle gauge to 90°.
7. Set the angle gauge upright and flush on the saw table.
8. Move the angle gauge to the saw blade.
 - ▶ The angle gauge must be flush with the saw blade along the entire line.
9. Set the bevel angle to 45° right.
10. Set the angle gauge to 45° (alternatively, 135° for measurement from the left side).
11. Set the angle gauge upright and flush on the saw table.
12. Move the angle gauge to the saw blade.
 - ▶ The angle gauge must be flush with the saw blade along the entire line.
13. Repeat the steps for the 45° left bevel angle.

Result 1 / 2

The angle gauge is flush with the saw blade along the entire line in all three measurements.

- ▶ The saw is correctly adjusted.

Result 2 / 2

The angle gauge and the saw blade are not flush in one or more measurements.

- ▶ Contact **Hilti Service**.

7.4.2 Adjusting pointers for bevel angle **19**

1. Check that the bevel angle is perfectly accurate. → page 19



2. Set the bevel angle to 0°.
3. Slacken the securing screw of one pointer for the bevel angle and set it exactly to the 0° reading.
4. Retighten the securing screw hand-tight. In this process, hold the pointer exactly at the 0° reading.
5. If necessary, repeat the step for the second pointer for the bevel angle.
6. Check that the actual bevel angle and the two pointers match for the 45° right and 45° left angles.
 - ▶ If the check shows that a pointer does not match the actual angle at one or more positions and cannot be corrected by adjustment, consult **Hilti Service**.

7.4.3 Checking miter angle

1. Push the saw head all the way back (away from you).
2. Position the stop plate of the depth gauge so that the depth gauge passes through the opening when the saw head is lowered. → page 13
3. Set the bevel angle to 0°.
4. Push the saw head down and engage the transport lock to lock the saw head.
5. Set the miter angle to 0°.
6. Set an angle gauge to 90°.
7. Lay the angle gauge flat on the saw table and flush against the miter fence.
8. Move the angle gauge to the saw blade.
 - ▶ The angle gauge must be flush with the saw blade along the entire line.
9. Set the miter angle to 45° right.
10. Set the angle gauge to 45° (alternatively, 135° for measurement from the left side).
11. Lay the angle gauge flat on the saw table and flush against the miter fence.
12. Move the angle gauge to the saw blade.
 - ▶ The angle gauge must be flush with the saw blade along the entire line.
13. Repeat the steps for the 45° left miter angle.

Result 1 / 2

The angle gauge is flush with the saw blade along the entire line in all three measurements.

- ▶ The saw is correctly adjusted.

Result 2 / 2

The angle gauge and the saw blade are not flush in one or more measurements.

- ▶ Adjust the miter angle or consult **Hilti Service**. → page 20

7.4.4 Adjusting miter angle and scale **20**

1. Latch the turntable at the 0° position.
2. Loosen the locking knob of the turntable.
3. Loosen the four securing screws of the scale of the miter angle.
4. Set an angle gauge to 90°.
5. Lay the angle gauge flat on the saw table and flush against the miter fence.
6. Move the angle gauge to the saw blade. Adjust the turntable including the scale of the miter angle on the basis of the angle gauge.
 - ▶ The angle gauge must be flush with the saw blade along the entire line.
7. Tighten the locking knob of the turntable to prevent movement of the turntable.
8. Tighten the four securing screws of the scale of the miter angle.
9. Check the 45° right and 45° left miter angles. → page 20

Result 1 / 2

At the 45° right and 45° left miter angles, the angle gauge is flush with the saw blade along the entire line.

- ▶ The saw is correctly adjusted.

Result 2 / 2

The angle gauge and the saw blade are not flush in one or more measurements.

- ▶ Contact **Hilti Service**.

7.4.5 Adjusting pointers for miter angle **21**

1. Check that the miter angle is perfectly accurate. → page 20
2. If necessary, adjust the miter angle. → page 20
3. Set the miter angle to 0°.
4. Slacken the securing screw of one pointer for the miter angle and set it exactly to the 0° reading.
5. Retighten the securing screw hand-tight. In this process, hold the pointer exactly at the 0° reading.



6. If necessary, repeat the step for the second pointer for the miter angle.
7. Check that the actual miter angle and the two pointers match for the 45° right and 45° left angles.
 - ▶ If the check shows that a pointer does not match the actual angle at one or more positions and cannot be corrected by adjustment, consult **Hilti Service**.

7.5 Replacing dust trap **22**

WARNING

Risk of injury by incorrectly installed deflectors. If a deflector is installed wrong way round, the saw blade can be trapped. The deflector or the saw blade could break and fragments could be ejected.

- ▶ When installing the deflectors, make sure they are installed the right way round. The spring-loaded part of the deflector must face away from the saw blade.

1. Unscrew securing screws **(1)** on one side and remove deflector **(3)**.
2. Unscrew the securing screws on the opposite side and remove the second deflector and dust trap **(2)**.
3. Insert new dust trap **(2)** and one deflector **(3)**.
 - ▶ Make sure that the deflector is correctly positioned.
4. Screw both parts on with the securing screws.
5. Tighten the screws to secure the second deflector and the dust trap on the opposite side.
 - ▶ Make sure that the deflector is correctly positioned.
 - ▶ Check that the dust trap and both deflectors are secure.

7.6 Replacing slot plates **23**

The slot plates are set ex-works so that they do not come into contact with the saw blade. Nevertheless, to a certain extent the slot plates are subject to wear. **Hilti** offers the slot plates as a spare part. They can be replaced quickly and easily by the user.

1. Open all securing screws of the slot plates and dispose of the worn out slot plates.
2. Install the new slot plates.
3. Tighten the securing screws to the point at which the slot plates can still be moved.
4. Adjust the position of the slot plates so that the saw blade does not come into contact with them.
 - ▶ In particular, check the maximum right and left bevel angles.
 - ▶ Also check all other miter angles and bevel angles.
5. After completing the adjustments, tighten all the securing screws hand-tight.

8 Transport and storage of cordless tools and batteries **24, 25**

Transport of the dual-bevel compound sliding miter saw

Step through the procedure below before you transport the saw:

- ▶ Push the saw head all the way back (away from you).
- ▶ Latch the carriage. → page 13
- ▶ Position the stop plate of the depth gauge so that the depth gauge passes through the opening when the saw head is lowered. → page 13
- ▶ Set the bevel angle to 0°.
- ▶ Push the saw head down and engage the transport lock to lock the saw head.
- ▶ If applicable, push the extension supports all the way in. → page 14
- ▶ Set the miter angle all the way to the right (60° position) and latch the turntable in this position.
- ▶ Remove all accessories (e.g. screw clamp) that cannot be permanently installed on the saw.
- ▶ If necessary, remove the locking knob and secure it in one of the holders on the back of the top miter fence.

Carry the saw by holding it only at the points provided for the purpose:

- Grip recesses underneath the extension supports **(1)**
- Grip recess in the rear area beside the dust extractor **(2)**
- Grip on the saw head **(3)**



Transport of batteries

CAUTION

Accidental starting during transport !

- ▶ Always transport your products with the batteries removed!
-
- ▶ Remove the battery/batteries.
 - ▶ Never transport batteries loose and unprotected. During transport, batteries should be protected from excessive shock and vibration and isolated from any conductive materials or other batteries that may come in contact with the terminals and cause a short circuit. **Comply with the locally applicable regulations for transporting batteries.**
 - ▶ Do not send batteries through the mail. Consult your shipper for instructions on how to ship undamaged batteries.
 - ▶ Prior to each use and before and after prolonged transport, check the product and the batteries for damage.

Storage

WARNING

Accidental damage caused by defective or leaking batteries !

- ▶ Always store your products with the batteries removed!
-
- ▶ Store the product and the batteries in a cool and dry place. Comply with the temperature limits stated in the technical data.
 - ▶ Do not store batteries on the charger. Always remove the battery from the charger when the charging operation has completed.
 - ▶ Never leave batteries in direct sunlight, on sources of heat, or behind glass.
 - ▶ Store the product and batteries where they cannot be accessed by children or unauthorized persons.
 - ▶ Prior to each use and before and after prolonged storage, check the product and the batteries for damage.

9 Troubleshooting

If a problem occurs, always observe the status indicator of the battery. See the section headed **Status indicators of the Li-ion battery**.

If the trouble you are experiencing is not listed in this table or you are unable to rectify the problem by yourself, contact **Hilti Service**.

Trouble or fault	Possible cause	Action to be taken
Running speed suddenly drops considerably.	Battery is discharged.	▶ Charge the battery.
	Saw advance pressure is too high.	▶ Reduce advance pressure and switch the power tool back on.
The saw blade stalls.	Saw advance pressure is too high.	▶ Reduce advance pressure and switch the power tool back on.
The motor has no braking effect.	Battery is discharged.	▶ Charge the battery.
Cutting angles are inaccurate.	The angular accuracy, the scales or the pointers are maladjusted.	<ul style="list-style-type: none"> ▶ Check and adjust the settings and indicators. → page 19 ▶ If you cannot adjust a setting yourself or the saw's accuracy is too badly off, consult Hilti Service.
LEDs of the battery show nothing	Battery defective	▶ Contact Hilti Service .



10 Disposal

WARNING

Risk of injury due to incorrect disposal! Health hazards due to escaping gases or liquids.

- ▶ DO NOT send batteries through the mail!
- ▶ Cover the terminals with a non-conductive material (such as electrical tape) to prevent short circuiting.
- ▶ Dispose of your battery out of the reach of children.
- ▶ Dispose of the battery at your **Hilti Store**, or consult your local governmental garbage disposal or public health and safety resources for disposal instructions.

Most of the materials from which **Hilti** products are manufactured can be recycled. The materials must be correctly separated before they can be recycled. In many countries, your old tools, machines or appliances can be returned to **Hilti** for recycling. Ask **Hilti Service** or your Hilti sales representative for further information.



- ▶ Do not dispose of power tools, electronic equipment or batteries as household waste!

11 Manufacturer's warranty

- ▶ Please contact your local **Hilti** representative if you have questions about the warranty conditions.

12 Further information

For more information on operation, technology, environment and recycling, follow this link: qr.hilti.com/manual/?id=2395172&id=2395174

This link is also to be found at the end of the operating instructions, in the form of a QR code.

Original brugsanvisning

1 Om brugsanvisningen

1.1 Om denne brugsanvisning

- Advarsel! Før du bruger produktet, skal du sikre dig, at du har læst og forstået produktets medfølgende brugsanvisning inklusive anvisninger, sikkerhedsanvisninger og advarsler, billeder og specifikationer. Sørg især for at blive fortrolig med alle anvisninger, sikkerhedsanvisninger og advarsler, billeder, specifikationer samt bestanddele og funktioner. Hvis du ikke gør det, er der risiko for at få elektrisk stød, brandfare og/eller risiko for alvorlige personskader. Gem brugsanvisningen inklusive alle anvisninger, sikkerhedsanvisninger og advarsler til senere brug.
- Den medfølgende brugsanvisning svarer til den aktuelle tekniske standard på tidspunktet for trykningen. Du kan altid finde den aktuelle version online på Hiltis produktside. Følg linket eller QR-koden i denne brugsanvisning, der er markeret med symbolet .
- Sørg for, at denne brugsanvisning altid følger med ved overdragelse af produktet til andre.

1.2 Tegnforklaring

1.2.1 Advarsler

Advarsler advarer mod farer ved håndtering af produktet. Følgende signalord anvendes:

FARE

FARE !

- ▶ Betegner en umiddelbart truende fare, der kan medføre alvorlige kvæstelser eller døden.

ADVARSEL

ADVARSEL !

- ▶ Står ved en potentielt truende fare, der kan medføre alvorlige kvæstelser eller døden.



⚠ FORSIGTIG

FORSIGTIG !

► Advarer om en potentielt farlig situation, der kan forårsage personskader eller materielle skader.

1.2.2 Symboler i brugsanvisningen

Der benyttes følgende symboler i denne brugsanvisning:

	Se brugsanvisningen
	Anvisninger for anvendelse og andre nyttige oplysninger
	Håndtering af genvindbare materialer
	Elektriske maskiner og batterier må ikke bortskaffes som almindeligt husholdningsaffald
	Hilti lithium-ion-batteri
	Hilti Lader

1.2.3 Symboler i illustrationer

Følgende symboler anvendes på illustrationer:

	Disse tal henviser til den pågældende illustration i begyndelsen af denne brugsanvisning.
	Nummereringen i illustrationerne henviser til vigtige arbejdsstrin eller for arbejdsstrin til vigtige komponenter. I teksten fremhæves disse arbejdsstrin eller komponenter med tilhørende numre, f.eks. (3).
	Positionsnumre anvendes i illustrationen Oversigt og refererer til tallene i symbolforklaringen i afsnittet Produktoversigt .
	Dette symbol skal sikre skærpet opmærksomhed ved omgang med produktet.

1.3 Produktspecifikke symboler

1.3.1 Generelle symboler

Symboler, som anvendes i forbindelse med produktet.

	Produktet understøtter NFC-teknologi, som er kompatibel med iOS- og Android-platforme.
	Jævnstrøm
n_0	Nominelt omdrejningstal, ubelastet
\emptyset	Diameter
	Savklingens mål
	Kig ikke direkte ind i lyskilden.
Li-Ion	Lithium-ion-batteri
	Slå aldrig med en genstand på batteriet, og brug aldrig batteriet som slagværktøj.
	Lad ikke batteriet falde på gulvet. Brug ikke et batteri, der har fået et slag eller på anden vis er beskadiget.

1.3.2 Forbudssymboler

Forbudssymboler markerer forbudte handlinger.





Fareområde! Hold hænder, fingre og arme væk fra dette område.

1.3.3 Påbudssymboler

Påbudssymboler henviser på obligatoriske handlinger.



Brug høreværn



Brug øjenværn

1.4 Produktoplysninger

HILTI-produkter er beregnet til professionel brug og må kun betjenes, efterses og vedligeholdes af autoriseret og instrueret personale. Dette personale skal i særdeleshed informeres om de potentielle farer, der er forbundet med anvendelsen af denne maskine. Der kan opstå farlige situationer ved anvendelse af produktet og det tilhørende udstyr, hvis det anvendes af personer, der ikke er blevet undervist i dens brug, eller hvis det ikke anvendes korrekt i henhold til forskrifterne i denne brugsanvisning.

Typebetegnelse og serienummer fremgår af typeskiltet.

- ▶ Notér serienummeret i den efterfølgende tabel. Du skal bruge produktoplysningerne ved henvendelser til vores lokale afdeling eller vores serviceværksted.

Produktoplysninger

Batteridrevet kap-/geringssav	SM 60-22
Generation	01
Serienummer	

1.5 Overensstemmelseserklæring

Producenten erklærer som eneansvarlig, at det her beskrevne produkt er i overensstemmelse med gældende lovgivning og gældende standarder. Sidst i dette dokument finder du et billede af overensstemmelseserklæringen.

Den tekniske dokumentation er arkiveret her:

Hilti Entwicklungsgesellschaft mbH | Zulassung Geräte | Hiltistraße 6 | 86916 Kaufering, DE

2 Sikkerhed

2.1 Generelle sikkerhedsanvisninger for elværktøj

⚠ ADVARSEL Læs alle sikkerhedsanvisninger, henvisninger, billedtekster og tekniske data på elværktøjet. Hvis følgende anvisninger ikke overholdes, er der risiko for elektrisk stød, brand og/eller alvorlige personskader.

Opbevar alle sikkerhedsanvisninger og instruktioner til senere brug.

Det benyttede begreb "elværktøj" i sikkerhedsanvisningerne refererer til elektriske maskiner (med netledning) eller batteridrevne maskiner (uden netledning).

Arbejdspladssikkerhed

- ▶ **Sørg for at holde arbejdsområdet ryddeligt og godt oplyst.** Uorden eller uoplyste arbejdsområder øger faren for uheld.
- ▶ **Brug ikke elværktøj i eksplosionstruede omgivelser, hvor der er brændbare væsker, gasser eller støv.** Elværktøj kan slå gnister, der kan antænde støv eller dampe.
- ▶ **Sørg for, at andre personer og ikke mindst børn holdes væk fra arbejdsområdet, når elværktøjet er i brug.** Hvis man distraheres, kan man miste kontrollen over maskinen.

Elektrisk sikkerhed

- ▶ **Elværktøjets stik skal passe til kontakten. Stikket må under ingen omstændigheder ændres. Brug ikke adapterstik sammen med jordforbundne elværktøj.** Uændrede stik, der passer til kontakterne, nedsætter risikoen for elektrisk stød.
- ▶ **Undgå kropskontakt med jordforbundne overflader som f.eks. rør, radiatorer, komfurer og køleskabe.** Hvis din krop er jordforbundet, øges risikoen for elektrisk stød.
- ▶ **Elværktøj må ikke udsættes for regn eller fugt.** Indtrængning af vand i elværktøj øger risikoen for elektrisk stød.



- ▶ **Brug ikke ledningen til formål, den ikke er beregnet til (f.eks. må man aldrig bære elværktøjet i ledningen, hænge det op i ledningen eller rykke i ledningen for at trække stikket ud af kontakten). Beskyt ledningen mod varme, olie, skarpe kanter eller dele, der er i bevægelse.** Beskadigede eller sammenviklede ledninger øger risikoen for elektrisk stød.
- ▶ **Hvis elværktøjet benyttes i det fri, må der kun benyttes en forlængerledning, der er egnet til udendørs brug.** Brug af forlængerledning til udendørs brug nedsætter risikoen for elektrisk stød.
- ▶ **Hvis det ikke kan undgås at anvende elværktøjet i fugtige omgivelser, skal du anvende et fejlstrømsrelæ.** Anvendelsen af et fejlstrømsrelæ nedsætter risikoen for et elektrisk stød.

Personlig sikkerhed

- ▶ **Det er vigtigt at være opmærksom, se, hvad man laver, og bruge maskinen fornuftigt. Anvend aldrig elværktøj, hvis du er træt eller påvirket af stoffer, alkohol eller medicin.** Et øjebliks uopmærksomhed under brugen af elværktøjet kan medføre alvorlige personskader.
- ▶ **Brug beskyttelsesudstyr, og hav altid beskyttelsesbriller på.** Brug af sikkerhedsudstyr som f.eks. støvmaske, skridsikkert fodtøj, beskyttelseshjelm eller høreværn afhængigt af elværktøjets type og anvendelse nedsætter risikoen for personskader.
- ▶ **Undgå utilsigtet igangsætning. Kontrollér, at elværktøjet er frakoblet, før du slutter det til strømforsyningen og/eller batteriet, tager det op eller transporterer det.** Undgå at bære elværktøjet med fingeren på afbryderen, og sørg for, at det ikke er tændt, når det slutes til nettet, da dette øger risikoen for personskader.
- ▶ **Fjern indstillingsværktøj eller skruenøgler, inden elværktøjet tændes.** Hvis et stykke værktøj eller en nøgle sidder i en roterende maskindel, er der risiko for personskader.
- ▶ **Undgå at arbejde i unormale kroppsstillinger. Sørg for at stå sikkert, mens der arbejdes, og kom ikke ud af balance.** Det er derved nemmere at kontrollere elværktøjet, hvis der skulle opstå uventede situationer.
- ▶ **Brug egnet arbejdstøj. Undgå løse beklædningsgenstande eller smykker. Hold hår, tøj og handsker væk fra dele, der bevæger sig.** Dele, der er i bevægelse, kan gribe fat i løstsiddende tøj, smykker eller langt hår.
- ▶ **Hvis støvudsugnings- og opsamlingsudstyr kan monteres, er det vigtigt, at dette tilsluttes og benyttes korrekt.** Ved at anvende en støvudsugning er det muligt at nedsætte risikoen som følge af støv.
- ▶ **Man må ikke ignorere sikkerhedsreglerne for elværktøj, heller ikke selvom man er fortrolig med brugen af elværktøjet.** Uagtsomhed kan medføre alvorlig tilskadekomst inden for få sekunder.

Anvendelse og pleje af elværktøjet

- ▶ **Undgå at overbelaste maskinen. Brug altid en maskine, der er beregnet til det stykke arbejde, der skal udføres.** Med det rigtige værktøj arbejder man bedst og mest sikkert inden for det angivne effektområde.
- ▶ **Brug ikke elværktøj, hvis afbryderen er defekt.** En maskine, der ikke kan startes og stoppes, er farlig og skal repareres.
- ▶ **Træk stikket ud af stikkontakten, og/eller fjern batteriet fra maskinen, inden du foretager indstillinger på den, skifter tilbehør og dele eller lægger den til side.** Disse sikkerhedsforanstaltninger forhindrer utilsigtet start af elværktøjet.
- ▶ **Opbevar ubenyttede elværktøjer uden for børns rækkevidde. Lad aldrig personer, der ikke er fortrolige med maskinen eller ikke har gennemlæst sikkerhedsanvisningerne, benytte denne.** Elværktøj er farligt, hvis det benyttes af ukyndige personer.
- ▶ **Sørg for at pleje elværktøj omhyggeligt. Kontrollér, om bevægelige dele fungerer korrekt og ikke sidder fast, og om delene er brækket eller beskadiget, således at elværktøjets funktion påvirkes. Få beskadigede dele repareret, inden elværktøjet tages i brug.** Mange uheld skyldes dårligt vedligeholdte elværktøjer.
- ▶ **Sørg for, at skæreværktøjer er skarpe og rene.** Omhyggeligt vedligeholdte skæreværktøjer med skarpe skærekanten sætter sig ikke så hurtigt fast og er nemmere at føre.
- ▶ **Anvend elværktøj, tilbehør, indsatsværktøj osv. i overensstemmelse med disse anvisninger. Tag hensyn til arbejdsforholdene og det arbejde, der skal udføres.** I tilfælde af anvendelse af maskinen til formål, som ligger uden for det fastsatte anvendelsesområde, kan der opstå farlige situationer.
- ▶ **Sørg for, at greb og gribeflader er tørre, rene og fri for olie og fedt.** Glatte greb og gribeflader gør betjeningen usikker, og det kan være svært at styre elværktøjet i uforudsete situationer.

Anvendelse og pleje af batteridrevet elværktøj

- ▶ **Oplad kun batterier i ladere, der er anbefalet af fabrikanten.** Der er risiko for brand, hvis en lader, der er beregnet til et bestemt batteri, anvendes til opladning af en anden batteritype.
- ▶ **Brug kun de batterier, der er beregnet til elværktøjet.** Brug af andre batterier øger risikoen for personskader og er forbundet med brandfare.



- ▶ **Ikke benyttede batterier må ikke komme i berøring med kontorclips, mønter, nøgler, søm, skruer eller andre små metalgenstande, da disse kan kortslutte kontaktterne.** En kortslutning mellem batterikontakterne øger risikoen for personskader i form af forbrændinger.
- ▶ **Hvis batteriet anvendes forkert, kan der løbe væske ud af batteriet. Undgå at komme i kontakt med denne væske. Hvis det alligevel skulle ske, skylles med vand. Søg læge, hvis væsken kommer i øjnene.** Batterivæske kan give hudirritation eller forbrændinger.
- ▶ **Brug aldrig et beskadiget eller ændret batteri.** Beskadigede eller ændrede batterier kan virke utilsigtet og medføre brand, eksplosion eller risiko for tilskadekomst.
- ▶ **Batterier må ikke udsættes for åben ild eller høje temperaturer.** Ild eller temperaturer over 130 °C (265 °F) kan medføre eksplosion.
- ▶ **Følg alle anvisninger vedrørende opladning, og oplad aldrig batteriet eller det batteridrevne værktøj uden for det temperaturområde, der er anført i betjeningsvejledningen.** Forkert opladning eller opladning uden for det tilladte temperaturområde kan ødelægge batteriet og øge risikoen for brand.

Service

- ▶ **Sørg for, at elværktøjet kun repareres af kvalificerede fagfolk, og at der altid benyttes originale reservedele.** Dermed sikres størst mulig elværktøjssikkerhed.
- ▶ **Forsøg aldrig at reparere beskadigede batterier.** Al vedligeholdelse af batterier skal foretages af producenten eller af autoriserede forhandlere.

2.2 Sikkerhedsanvisninger for kap-/geringslave

- ▶ **Kap-/geringslave er beregnet til at save i træ eller trælignende produkter og kan ikke anvendes til savning i jernmaterialer som stave, stænger, skruer osv.** Abrasivt støv kan blokere de bevægelige dele såsom den nederste beskyttelsesafsikrning. Skæregninger kan smelte den nederste beskyttelsesafsikrning, indlægspladen og andre plastdele.
- ▶ **Fastgør om muligt emnet med skruevinger. Hvis du holder emnet fast med hånden, skal hånden altid holdes mindst 100 mm (4 in) væk fra savklingen på begge sider. Anvend ikke denne sav til savning af emner, der er for små til at blive spændt fast eller holdt med hånden.** Hvis din hånd er for tæt på savklingen, er der stor risiko for at komme til skade, hvis hånden kommer i kontakt med savklingen.
- ▶ **Emnet skal være ubevægeligt og enten spændt fast eller fastholdes, så det trykkes ind mod anslaget og ned mod bordet. Tryk ikke emnet ind mod savklingen, og skær aldrig "frihånds".** Emner, der ligger løst eller bevæger sig, kan blive slynget ud med høj hastighed og medføre personskader.
- ▶ **Tryk saven ned gennem emnet. Undgå at trække saven gennem emnet. Når du skal save, skal du løfte savhovedet og trække det hen over emnet uden at save. Tænd derefter motoren, sænk savhovedet, og tryk saven ned gennem emnet.** Hvis du trækker saven gennem emnet, er der risiko for, at savklingen løfter sig ved emnet, og at savklingeenheden slynges med voldsom kraft ind mod brugeren.
- ▶ **Kryds aldrig hænderne over den ønskede savelinje, hverken foran eller bag ved savklingen.** Det er meget farligt at understøtte emnet "med krydsede hænder", dvs. at emnet holdes ved venstre hånd til højre for savklingen eller omvendt.
- ▶ **Stik ikke hænderne ind bag anslaget, når savklingen roterer. Sikkerhedsafstanden på 100 mm (4 in) mellem hånden og den roterende savklinge skal altid overholdes (gælder på begge sider af savklingen, f.eks. når træaffald fjernes).** Du kan muligvis ikke se, hvor tæt din hånd er på den roterende savklinge, og du kan komme alvorligt til skade.
- ▶ **Kontrollér emnet, før du saver. Hvis emnet er buet eller har slået sig, skal det spændes fast, så den side, der bøjer udad, vender ind mod anslaget. Kontrollér altid, at der ikke er en spalte langs savelinjen mellem emne, anslag og bord.** Emner, der er buede eller som har slået sig, kan dreje eller flytte sig og medføre, at den roterende savklinge blokerer ved brug af saven. Der må ikke være søm eller fremmedlegemer i emnet.
- ▶ **Anvend først saven, når bordet er frit for værktøj, træaffald osv.; Det er kun emnet, der må ligge på bordet.** Små stykker affald, løse træstykker eller andre genstande, der kommer i kontakt med den roterende klinge, kan blive slynget væk med høj hastighed.
- ▶ **Sav kun et emne ad gangen.** Stabile emner kan ikke fastspændes eller fastholdes korrekt og kan medføre blokering af klingen eller flytte sig ved savning.
- ▶ **Sørg for, at kap-/geringslaven står på en plan, fast arbejdsflade, før den bruges.** En plan og fast arbejdsflade reducerer faren for, kap-/geringslaven bliver ustabil.
- ▶ **Planlæg arbejdet. Kontrollér hver gang ved justering af savklingshældnings- eller geringsvinkel, at det indstillelige anslag er korrekt indstillet og understøtter emnet uden at komme i kontakt med klingen eller beskyttelsesafsikrningen.** Simuler hele savklingsbevægelse uden at tænde



maskinen og uden et emne på bordet for at sikre, at der ikke er nogen hindringer eller nogen risiko for at skære ind i anslaget.

- ▶ **Ved savning i emner, der er bredere eller længere end bordets overflade skal der anvendes passende understøtning, f.eks. med bordforlængere eller savbukke.** Emner, der er længere eller bredere end kap-/geringssavens bord, kan vippe, hvis de ikke er korrekt understøttet. Hvis et afsavet stykke træ eller emnet vipper, kan det løfte den nederste beskyttelsesafskærmning eller blive slynget ukontrolleret væk fra den roterende kling.
- ▶ **Brug ikke andre personer som erstatning for en bordforlænger eller ekstra understøtning.** Ustabil understøtning af emnet kan medføre, at klingens blokerer. Emnet kan også forskyde sig ved savning og trække dig og hjælperen ind i den roterende kling.
- ▶ **Det afskårne stykke må ikke blive trykket ind mod den roterende savklinge.** Hvis der er meget lidt plads, f.eks. ved brug af længdeanslag, kan det afskårne stykke kile sig fast ved klingens og blive slynget væk med stor kraft.
- ▶ **Anvend altid en skruevinge eller egnet udstyr til at understøtte runde emner såsom stænger eller rør korrekt.** Stænger har tendens til at rulle væk ved savning, og klingens vil så "bide sig fast", og derved kan emnet samt din hånd blive trukket ind i klingens.
- ▶ **Lad klingens komme op på fuldt omdrejningstal, før du saver i emnet.** Det reducerer risikoen for, at emnet bliver slynget væk.
- ▶ **Sluk kap-/geringssaven, hvis emnet kommer i klemme eller blokerer klingens.** Vent, til alle bevægelige dele står stille, træk stikket ud, og/eller tag batteriet ud. Fjern derefter det fastklemte materiale. Hvis du saver videre ved denne type blokering, kan det medføre, at du mister kontrollen, eller at kap-/geringssaven bliver beskadiget.
- ▶ **Slip knappen, når du er færdig med at save, hold savhovedet nede, og vent, til klingens står stille, før du fjerner det afskårne stykke.** Det er meget farligt at række hånden ind i nærheden af klingens, mens den sænker hastigheden.
- ▶ **Hold godt fast i håndgrebet, når du udfører et ufuldstændigt savsnit, eller når du slipper knappen, før savhovedet er nået ned i den nederste position.** Savens nedbremsning kan trække savhovedet nedad med et ryk, og det kan medføre risiko for personskader.

2.3 Yderligere sikkerhedsanvisninger

- ▶ Anvend kun produktet og tilbehøret i teknisk fejlfri stand.
- ▶ Foretag aldrig manipulationer eller ændringer på produkt eller tilbehør.
- ▶ Fare for personskader på grund af værktøj og/eller tilbehør, som falder på jorden. Kontrollér før arbejdets begyndelse, at batteriet og det monterede tilbehør er sikkert fastgjort.
- ▶ Støv, der dannes ved slibning, skæring og boring, kan indeholde farlige kemikalier. Nogle eksempler er: Bly eller maling på blybasis; Tegl, beton og andre murværksprodukter, natursten og andre silikatholdige produkter; Bestemte træsorter som eg, bøg og kemisk behandlet træ; Asbest eller asbestholdige materialer. Bestem eksponeringen for brugeren og omkringstående personer ved hjælp af fareklassen for de materialer, der arbejdes på. Træf de nødvendige foranstaltninger for at holde eksponeringen på et sikkert niveau, f.eks. ved at bruge et støvopsamlingsystem eller brug af et passende åndedrætsværn. Generelle foranstaltninger til at reducere eksponeringen omfatter bl.a.:
 - ▶ Arbejde i et godt ventileret område,
 - ▶ Undgå længere tids kontakt med støv,
 - ▶ Lede støv bort fra ansigt og krop,
 - ▶ Brug beskyttende beklædning og vaske eksponerede områder med vand og sæbe.
- ▶ Brug øjenværn, beskyttelseshjelm, høreværn og et egnet åndedrætsværn under brugen af produktet.
- ▶ Hold hyppigt pauser, og lav øvelser, så fingrene får bedre blodgennemstrømning. Ved længerevarende arbejde kan vibrationer medføre forstyrrelser af fingrenes, hændernes eller håndleddenes blodkar og nervesystem.
- ▶ Hold altid ventilationsåbningerne fri. Fare for forbrændinger på grund af tildækkede ventilationsåbninger!
- ▶ Slip ikke håndgrebet, når du har ført savhovedet ned. Før altid savhovedet kontrolleret tilbage til den øverste position. Hvis savhovedet bevæger sig ukontrolleret, kan det medføre fare for personskader.
- ▶ Anvend ikke sløve, revnede, bøjedede eller beskadigede savklinger. Savklinger med sløve eller forkert justerede tænder medfører som følge af et for smalt savspor en højere friktion, blokering af savklingen og tilbageslag.
- ▶ Fjern aldrig saverester, træspåner og lignende fra saveområdet, mens saven kører. Sluk altid først saven, og før savhovedet tilbage i øverste position.



- ▶ Anvend kun savklinger, der er godkendt til produktet, der er i overensstemmelse med angivelserne i de tekniske data og/eller på produktet (f.eks. diameter, omdrejningstal, tykkelse, savklingebooring, materiale osv.), og som er testet og mærket i overensstemmelse med standarden EN 847-1.
- ▶ Anvend kun savklinger, hvis tilladte omdrejningstal er mindst lige så højt som det maksimale omdrejningstal, der er angivet på produktet.
- ▶ Rør først ved savklingen efter endt arbejde, når den er kølet af. Savklingen bliver meget varm under arbejdet.
- ▶ Brug beskyttelseshandsker ved skift af savklingen.
- ▶ Kontrollér hver gang før brug, om beskyttelsesafskærmningen lukker fejlfrit. Bevæg savhovedet nedad, og før det kontrolleret tilbage i øverste position. Anvend ikke saven, hvis beskyttelsesafskærmningen ikke kan bevæges frit og ikke lukker omgående, når savhovedet løftes. Det er ikke tilladt at klemme eller binde den nederste beskyttelsesafskærmning fast i åbnet position.
- ▶ Anvend aldrig produktet uden beskyttelsesafskærmning.
- ▶ Lad altid værktøjet køre med lavere hastighed ved savning af aluminiumprofiler.
- ▶ Anvend og fastgør altid de ekstra understøtninger på produktet.
- ▶ Hold kun produktet på de dertil beregnede steder (forsænkede greb og transportgreb) ved transport. Bær aldrig elværktøjet i glidearmen eller i håndgrebet. → Side 44
- ▶ Undgå at savtændernes spidser bliver overophedet. Ved savning af kunststof er det vigtigt, at kunststoffet ikke smelter.

2.4 Omhyggelig omgang med og brug af batterier

- ▶ **Overhold følgende sikkerhedsforanstaltninger for sikker håndtering og brug af Li-ion-batterier.** I modsat fald kan det medføre hudirritation, alvorlige ætsningsskader, kemiske forbrændinger, brand og/eller eksplosion.
- ▶ Anvend kun batterier i teknisk fejlfri stand.
- ▶ Batterier skal behandles forsigtigt for at undgå beskadigelser og udslip af meget sundhedsskadelige væsker!
- ▶ Batterier må under ingen omstændigheder modificeres eller manipuleres!
- ▶ Batterierne må ikke adskilles, klemmes, opvarmes til over 80 °C eller brændes.
- ▶ Anvend og oplad ikke batterier, som har fået stød eller på anden vis er blevet beskadiget. Kontrollér regelmæssigt dine batterier for tegn på skader.
- ▶ Anvend aldrig genbrugte eller reparerede batterier.
- ▶ Anvend aldrig batteriet eller et batteridrevet elværktøj som slagværktøj.
- ▶ Udsæt aldrig batterier for direkte solstråling, høj temperatur, gnister eller åben ild. Det kan medføre eksplosion.
- ▶ Berør ikke batteripolerne med dine fingre, værktøj, smykker eller andre elektrisk ledende genstande. Det kan beskadige batteriet og medføre personskader og materielle skader.
- ▶ Hold batterier på sikker afstand af regn, fugt og væsker. Indtrængende fugt kan medføre kortslutninger, elektrisk stød, forbrændinger, brand og eksplosion.
- ▶ Brug kun ladere og elværktøj, der er beregnet til denne batteritype. Overhold i den forbindelse oplysningerne i de tilhørende brugsanvisninger.
- ▶ Anvend og opbevar ikke batteriet i eksplosionsfarlige omgivelser.
- ▶ Hvis batteriet er for varmt til at kunne røres, kan det være defekt. Anbring batteriet på et overskueligt, ikke-brændbart sted med tilstrækkelig afstand til brændbare materialer. Lad batteriet køle af. Hvis batteriet efter en time fortsat er for varmt til at kunne røres, er det er defekt. Kontakt **Hilti Service** eller læs dokumentet "Anvisninger om sikkerhed og anvendelse af **Hilti** Li-ion-batterier".



Vær opmærksom på de særlige retningslinjer, der gælder for transport, opbevaring og brug af Li-ion-batterier.

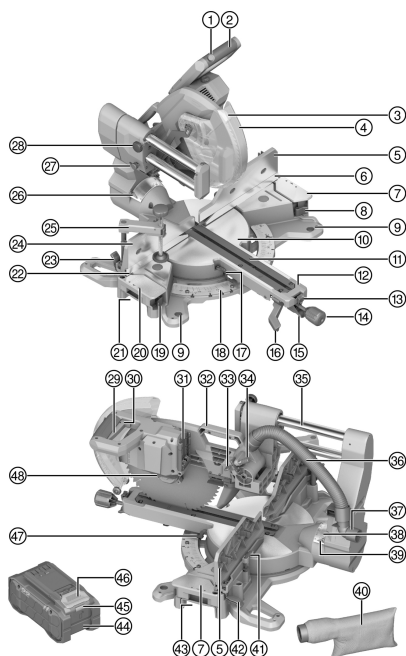
Læs anvisningerne vedrørende sikkerhed og anvendelse til **Hilti** Li-ion-batterier, som du kan finde ved at scanne QR-koden sidst i denne brugsanvisning.





3 Beskrivelse

3.1 Produktoversigt



- ① Startspærre
- ② Håndgreb
- ③ Saveindikator
- ④ Beskyttelsesafskærmning
- ⑤ Øverste geringsanslag til højre
- ⑥ Nederste geringsanslag til højre
- ⑦ Ekstra understøtning til højre
- ⑧ Frigøringsgreb på ekstra understøtning til højre
- ⑨ Monteringshul
- ⑩ Drejeskive
- ⑪ Slidsplader
- ⑫ Drejeskivearm
- ⑬ Låseposition til drejeskivens frigøringsgreb
- ⑭ Låsehåndtag til drejeskiven
- ⑮ Frigøringsgreb til drejeskiven
- ⑯ Frigøringsgreb til lodret geringsvinkel
- ⑰ Indikator til vandret geringsvinkel til venstre
- ⑱ Skala for vandret geringsvinkel
- ⑲ Frigøringsgreb til ekstra understøtning til venstre
- ⑳ Ekstra understøtning til venstre
- ㉑ Forsænket greb til venstre
- ㉒ Nederste geringsanslag til venstre
- ㉓ Frigøringsgreb til øverste geringsanslag til venstre
- ㉔ Øverste geringsanslag til venstre
- ㉕ Skruetvinge
- ㉖ Indikator til lodret geringsvinkel til venstre
- ㉗ Transportsikring
- ㉘ Spændeskruer til udtræk
- ㉙ Tænd/sluk-knap
- ㉚ Hul til hængelås
- ㉛ Batteritilslutning
- ㉜ Transportgreb
- ㉝ Anslagsplade til dybdeanslag
- ㉞ Dybdestop
- ㉟ Udtræk/glidestang
- ㊱ Forbindelsesslange til støvsugerenhed
- ㊲ Udsugningsstuds
- ㊳ Skala til lodret geringsvinkel
- ㊴ Indikator til lodret geringsvinkel til højre
- ㊵ Støvpose
- ㊶ Unbrakonøgle
- ㊷ Frigøringsgreb til øverste geringsanslag til højre
- ㊸ Forsænket greb til højre
- ㊹ Batteri
- ㊺ Statusindikator for batteri
- ㊻ Batterifrigøringsknap
- ㊼ Indikator til vandret geringsvinkel til højre
- ㊽ Spindellås



3.2 Bestemmelsesmæssig anvendelse

Det beskrevne produkt er en batteridrevet kap-/geringssav. Den er beregnet til savning i træ, træprodukter, plast og aluminiumprofiler. Produktet kan bruges til at save tværsnit, vinkelsnit og geringsnit.

Produktet er forsynet med en tilslutningsstuds til spånudsugning, som er dimensioneret til gængse støvsugerslanger. For at slutte støvsugerslangen til saven kan det være nødvendigt med en passende adapter.

- Anvend kun saven sammen med den medfølgende spånpose eller med en egnet støvudsugning.
- Anvend altid kun savklinger, som er godkendt for produktet, og som opfylder specifikationerne under de tekniske data (f.eks. diameter, omdrejningstal, tykkelse, materiale, osv.). Det er ikke tilladt at anvende slibe- og skæreskiver samt savklinger af højtlegeret, hårdt HSS-stål.
- Sav aldrig i magnesium med produktet.
- Brug kun **Hilti** Nuron Li-ion-batterier fra B 22-serien til dette produkt. Af hensyn til en optimal effekt anbefaler **Hilti** at bruge de batterier, der fremgår af tabellen i slutningen af denne brugsanvisning, til dette produkt.
- Anvend kun **Hilti**-ladere fra de serier, der fremgår af tabellen i slutningen af denne brugsanvisning, til disse batterier.

3.3 Leveringsomfang

kap-/geringssav, savklinge, spændeflange, holdeflange, spændeskruer, unbrakonøgle, skruetvinge, låse-håndtag drejeskive, brugsanvisning

Andre systemprodukter, som er godkendt til dit produkt, finder du i **Hilti Store** eller på: www.hilti.group

3.4 Li-ion-batteriets indikatorer

Hilti Nuron Li-ion-batterier kan vise ladetilstand, fejlmeddelelser og batteriets tilstand.

3.4.1 Visning af ladetilstand og fejlmeddelelser

ADVARSEL

Fare for personskader på grund af batteri, der falder på gulvet!

- ▶ Sørg for, at du ved isat batteri efter tryk på frigøringsknappen bringer batteriet korrekt i indgreb igen i det anvendte produkt.

For at få en af følgende visninger skal du trykke kort på batteriets frigøringsknap.

Ladetilstanden og evt. fejl vises også konstant, så længe det tilsluttede produkt er tændt.

Tilstand	Betydning
Fire (4) LED'er lyser konstant grønt	Ladetilstand: 100 % til 71 %
Tre (3) LED 'er lyser konstant grønt	Ladetilstand: 70 % til 51 %
To (2) LED 'er lyser konstant grønt	Ladetilstand: 50 % til 26 %
En (1) LED lyser konstant grønt	Ladetilstand: 25 % til 10 %
En (1) LED blinker langsomt grønt	Ladetilstand: < 10 %
En (1) LED blinker hurtigt grønt	Li-ion-batteriet er helt afladet. Oplad batteriet. Hvis LED'en stadig blinker hurtigt efter opladning af batteriet, bedes du kontakte HiltiService .
En (1) LED blinker hurtigt gult	Li-ion-batterier eller det dermed forbundne produkt er overbelastet, er for varmt, for koldt, eller der foreligger en anden fejl. Bring produktet og batteriet op på den anbefalede arbejdstemperatur, og overbelast ikke produktet under anvendelsen. Hvis meddelelsen stadig vises, bedes du kontakte HiltiService .
En (1) LED lyser gult	Li-ion-batteriet og det dermed forbundne produkt er ikke kompatible. Kontakt Hilti Service .
En (1) LED blinker hurtigt rødt	Li-ion-batteriet er låst og kan ikke længere anvendes. Kontakt Hilti Service .



3.4.2 Visning om batteriets tilstand

Hvis du ønsker at aflæse batteriets tilstand, skal du holde frigøringsknappen inde i mere end tre sekunder. Systemet registrerer ingen potentielle funktionsfejl for batteriet som følge af misbrug som f.eks. nedstyrtnng, perforeringer, eksterne varmeskader osv.

Tilstand	Betydning
Alle lysdioder lyser som løbelys, og derefter lyser én (1) lysdiode grønt.	Batteriet kan fortsat benyttes.
Alle lysdioder lyser som løbelys, og derefter blinker én (1) lysdiode hurtigt gult.	Forespørgslen om batteriets tilstand kunne ikke afsluttes. Gentag proceduren, eller kontakt Hilti Service .
Alle lysdioder lyser som løbelys, og derefter lyser én (1) lysdiode rødt.	Hvis et tilsluttet produktet fortsat kan benyttes, er den resterende batterikapacitet under 50%. Hvis et tilsluttet produktet ikke længere kan benyttes, er batteriet ved slutningen af sin levetid og skal udskiftes. Kontakt Hilti Service .

4 Tekniske data

4.1 Produktgenskaber

Mærkespænding	21,6 V	
Nom. omdrejningstal ubelastet	4.300/min	
Savklingediameter	305 mm	
Stamklingetykkelse	0,5 mm ... 1,5 mm	
Savklingeboring	30 mm	
Skærebredde	3,2 mm	
Maks. vandret geringsvinkel	Højre	≤ 60°
	Venstre	≤ 52°
Maks. lodret geringsvinkel	Højre	≤ 48°
	Venstre	≤ 48°
Maks. skærekapacitet uafhængigt af andre mål eller geringsvinkler	Højde	≤ 100 mm
	Bredde	≤ 360 mm
Vægt	25,6 kg (iht. EPTA-Procedure 01 uden batteri)	
Omgivende temperatur under drift	-17 °C ... 60 °C	
Opbevaringstemperatur	-20 °C ... 70 °C	

4.2 Batteri

Batteriets driftsspænding	21,6 V
Vægt, batteri	Se bagest i denne brugsanvisning
Omgivende temperatur under drift	-17 °C ... 60 °C
Opbevaringstemperatur	-20 °C ... 40 °C
Batteriets temperatur ved start af ladning	-10 °C ... 45 °C

4.3 Støjinformation og vibrationsværdier iht. EN 62841

Lydtryk- og vibrationsværdier i denne brugsanvisning er målt i henhold til en standardiseret målemetode og kan anvendes til sammenligning af forskellige elværktøjer. De kan også anvendes til en foreløbig vurdering af den eksponering, brugeren udsættes for.



De anførte data repræsenterer elværktøjets primære anvendelsesformål. Hvis elværktøjet imidlertid anvendes til andre formål, med andre indsatsværktøjer eller utilstrækkelig vedligeholdelse, kan dataene afvige. Dette kan forøge den eksponering, som brugeren udsættes for, i hele arbejdstiden markant.

For at opnå en præcis vurdering af den eksponering, som brugeren udsættes for, bør også den tid, hvor maskinen er slukket eller blot kører uden at blive anvendt, inddrages. Dette kan reducere den eksponering, som brugeren udsættes for, i hele arbejdstiden markant.

Fastlæg yderligere sikkerhedsforanstaltninger til beskyttelse af brugeren mod støj- og/eller vibrationspåvirkninger, f.eks. er det vigtigt at vedligeholde elværktøj og indsatsværktøj, at holde hænderne varme og at organisere arbejdsprocesserne.

Støjinformation

Lydeffektniveau (L_{WA})	101 dB(A)
Lydtrykniveau (L_{pA})	90 dB(A)
Usikkerhed (til L_{WA} og L_{pA})	3 dB(A)

Samlede vibrationsværdier

Vibrationsemissionsværdi	B 22-55	$\leq 2,5 \text{ m/s}^2$
	B 22-255	$\leq 2,5 \text{ m/s}^2$
Usikkerhed		$1,5 \text{ m/s}^2$

4.4 Maks. skærekapacitet

De angivne mål i højde og bredde er afhængige af hinanden. Du finder værdierne for maksimalt mulig højde og bredde i kapitlet Produkttegenskaber. → Side 33

Vandret geringsvinkel	Lodret geringsvinkel	Højde x bredde
0°	0°	100 mm x 355 mm
	22,5° til højre	72 mm x 355 mm
	22,5° til venstre	90 mm x 355 mm
	30° til højre	60 mm x 355 mm
	30° til venstre	78 mm x 355 mm
	45° til højre	40 mm x 355 mm
	45° til venstre	65 mm x 340 mm
	48° til højre	30 mm x 355 mm
	48° til venstre	50 mm x 355 mm
45° til højre 45° til venstre	0°	100 mm x 250 mm
	45° til højre	40 mm x 250 mm
	45° til venstre	62 mm x 250 mm
52° til venstre	0°	100 mm x 200 mm
	45° til højre	40 mm x 220 mm
	45° til venstre	62 mm x 220 mm
60° til højre	0°	100 mm x 176 mm
	45° til højre	40 mm x 178 mm
	45° til venstre	30 mm x 190 mm

5 Forberedelse af arbejdet

ADVARSEL

Fare for personskader på grund af utilsigtet start!

- ▶ Før isætning af batteriet skal du kontrollere, at det tilhørende produkt er slukket.
- ▶ Fjern batteriet fra maskinen, inden du foretager indstillinger eller skifter tilbehørsdele på den.

Følg sikkerheds- og advarselshenvisningerne i denne dokumentation og på produktet.



5.1 Montering af låsehåndtag

Låsehåndtaget er ikke monteret på drejeskiven ved levering fra fabrikken. Det skal monteres før brug af saven.

- ▶ Skru låsehåndtaget ind i armen på drejeskiven.

5.2 Opladning af batteri

1. Læs brugsanvisningen til laderen før opladning.
2. Vær opmærksom på, at kontakterne på batteriet og laderen er rene og tørre.
3. Oplad batteriet i en godkendt lader. → Side 32

5.3 Isætning af batteri



ADVARSEL

Fare for personskader på grund af kortslutning eller batteri, der falder på gulvet!

- ▶ Før isætning af batteriet skal du kontrollere, at batteriets kontakter og kontakterne på produktet er fri for fremmedlegemer.
- ▶ Kontrollér, at batteriet altid går korrekt i indgreb.

1. Lad batteriet helt op før første ibrugtagning.
2. Skub batteriet ind i produktet, indtil det går hørbart i indgreb.
3. Kontrollér, at batteriet er sat korrekt i.

5.4 Fjernelse af batteri

1. Tryk på batteriets frigøringsknap.
2. Træk batteriet ud af produktet.

5.5 Montering af produktet

Produktet skal fastgøres på en plan og stabil overflade.

1. Placer produktet på en plan og stabil overflade.
2. Skru produktet fast på arbejdsfladen gennem monteringshullerne. Anvend skruer, der er egnet til dette formål.
3. Som alternativ kan du spænde maskinens fødder fast på arbejdsfladen med almindelige skruetvinger.



Hilti tilbyder også et understel som tilbehør, som produktet kan monteres på til mobil anvendelse.

5.6 Placering i arbejdsposition 2

1. Tryk savhovedet let nedad, og træk transportsikringen ud.
2. Før savhovedet kontrolleret opad.

5.7 Støvsugerenhed

5.7.1 Montering af støvpose

Støvposen gør det muligt at arbejde rent og opsamler en stor procentdel af det støv, der opstår ved arbejdet.

- ▶ Slut støvposen til udsugningsstudsden.

5.7.2 Tilslutning af støvudsugning

Støvudsugningen skal være egnet til det materiale, der arbejdes med. Anvend en egnet specialstøvsuger til udsugning af sundhedsskadeligt, kræftfremkaldende eller tørt støv.

- ▶ Slut sugeslangen til udsugningsstudsden.

5.8 Montering af savklinge 3

Kontrollér, at den savklinge, som monteres i saven, opfylder de tekniske krav og er velslebte. En skarp savklinge er en forudsætning for et fejlfrit savsnit.

1. Rengør holde- og spændeflanger.
2. Sæt holdeflangen på drevspindelen (1), og sørg for, at den vender rigtigt.



3. Åbn pendulbeskyttelsesafskærmningen (2).
4. Isæt den nye savklinge.



Vær opmærksom på pilen (3) på savklingen og produktet, som angiver rotationsretningen. Disse skal pege i samme retning.

5. Sæt den udvendige spændeflange på, og sørg for, at den vender rigtigt (4).
6. Skru spændeskruen i.
7. Sæt unbrakonøglen på spændeskruen til savklingen.
8. Tryk på spindellåsen (5), og hold den inde.
9. Spænd spændeskruen med unbrakonøglen (6).
10. Kontrollér, at savklingen sidder korrekt.
11. Kontrollér, at savklingen er frit bevægelig. Savklingen må ikke komme i kontakt med andre komponenter uanset indstilling (vandret og/eller lodret geringsvinkel).
12. Sæt unbrakonøglen i den dertil beregnede holder.

5.9 Afmontering af savklinge



ADVARSEL

Fare for forbrænding og snitsår på savklinge, spændeskruer og spændeflange Det kan medføre forbrændinger og snitsår.

► Brug derfor altid beskyttelsehandsker, når du skifter værktøj.

1. Tryk på spindellåsen (1), og hold den inde.
2. Løsn spændeskruen (2) med unbrakonøglen.
3. Fjern spændeskruen og spændeflengen (3).
4. Åbn pendulbeskyttelsesafskærmningen (4), og fjern savklingen (5).



Om nødvendigt kan holdeflangen tages af i forbindelse med rengøring.

6 Betjening

Følg sikkerheds- og advarselshenvisningerne i denne dokumentation og på produktet.

6.1 Fastlåsning/løsning af udtrækket

Udtrækket kan fastlåses et vilkårligt sted.

1. Drej spændeskruen (1) med uret for at fastlåse udtrækket.
 - Spændeskruen klemmer glidestangen fast, og glidebevægelsen forhindres.
2. Drej spændeskruen (1) mod uret for at løsne udtrækket.

6.2 Indstilling af skæredybde på dybdestoppet

Anvend dybdeanslaget, når du eksempelvis vil save en not.

1. Drej anslagspladen (1) på dybdeanslaget, så dybdeanslaget ikke går gennem åbningen, når savhovedet sænkes.
2. Indstil den ønskede savedybde med fingerskruen (2).
3. Hvis du ikke længere ønsker at begrænse savedybden, skal du dreje anslagspladen (1), så dybdeanslaget går gennem åbningen, når savhovedet sænkes.

6.3 Forlængelse af savbordet



ADVARSEL

Fare for personskader på grund af lange emner. Lange emner kan falde ukontrolleret ned ved savning, løfte beskyttelsesafskærmningen, blokere savklingen og medføre tilbageslag.

► Understøt lange emner med ekstra savbukke eller tilsvarende understøtning.

Savbordets anlægsflade kan gøres større til højre og/eller til venstre ved hjælp af de ekstra understøtninger.



1. Løs frigøringsgrebet til den ekstra understøtning (1).
2. Træk den ekstra understøtning ud (2).
3. Fastlås frigøringsgrebet til den ekstra understøtning (1).
4. Gentag om nødvendigt trinnene for den modstående ekstra understøtning.

6.4 Indstilling af de øverste geringsanslag

De øverste geringsanslag skal trækkes udad eller fjernes helt afhængigt af indstillingen af den vandrette og/eller lodrette geringsvinkel.

1. Løs frigøringsgrebet (1) på det øverste geringsanslag til venstre eller til højre.
2. Træk det øverste geringsanslag (2) så langt udad som nødvendigt, eller fjern geringsanslaget.
3. Fastlås frigøringsgrebet (1).
 - ▶ Monter de øverste geringsanslag igen i den inderste position, når du vil foretage lige snit.
4. Hvis det øverste geringsanslag er blevet fjernet, kan det også opbevares sikkert under savningen ved at fastgøre det til glidestængerne på den ekstra understøtning.

6.5 Indstilling af vandret geringsvinkel

ADVARSEL

Fare for personskader på grund drejeskive, der ikke er fastlåst. En drejeskive, der ikke er fastlåst, kan dreje under savningen, få emnet til at sætte sig fast og på den måde medføre tilbageslag.

- ▶ Spænd altid drejeskivens låsehåndtag, før du saver.

Betingelser: Standardgeringsvinkel

På den vandrette geringsvinkels skala er flere hak til hurtig og præcis indstilling af vandrette geringsvinkler, der anvendes ofte. Drejeskiven kan gå i indgreb i disse hak.

Låsepositioner vandret geringsvinkel

Venstre	I midten	Højre
45°; 31,6°; 22,5°; 15°	0°	15°; 22,5°; 31,6°; 45°; 60°

- ▶ Løs om nødvendigt drejeskivens låsehåndtag (2).
- ▶ Træk drejeskivens frigøringsgreb op og hold det her (1), og drej så drejeskiven hen, så den står lige før den ønskede vandrette geringsvinkel (3).
- ▶ Slip drejeskivens frigøringsgreb, og drej drejeskiven videre til den ønskede vandrette geringsvinkel, hvor låsemekanismen skal gå i indgreb.
- ▶ Spænd drejeskivens låsehåndtag fast (2).

Betingelser: Frit indstillelig vandret geringsvinkel

Den vandrette geringsvinkel kan indstilles frit uden for standardgeringsvinklen.

- ▶ Løs om nødvendigt drejeskivens låsehåndtag (2).
- ▶ Træk drejeskivens frigøringsgreb (1) op, og lad det gå i indgreb (4).
- ▶ Indstil drejeskiven til den ønskede vandrette geringsvinkel (3).
- ▶ Spænd drejeskivens låsehåndtag fast (2).

6.6 Indstilling af lodret geringsvinkel

ADVARSEL

Fare for personskader på grund af ikke-fastlåst geringsvinkel. Hvis indstillingen af den lodrette geringsvinkel ikke er fastlåst, kan savhovedet falde ned under savning og medføre tilbageslag.

- ▶ Tryk altid frigøringsgrebet til den lodrette geringsvinkel helt ned efter endt indstilling for at fastlåse geringsvinklen.



⚠ FORSIGTIG

Fare for personskader på grund af de øverste geringsanslag. Når den lodrette geringsvinkel er indstillet, kan savklingen kolliderer med de øverste geringsanslag, hvilket kan medføre beskadigelse og tilbageslag.

- ▶ Kontrollér efter hver indstilling af en lodret geringsvinkel, at savklingen kan bevæges frit, og indstil de øverste geringsanslag så langt udad som nødvendigt.

Savhovedet kan gå i indgreb i flere positioner til hurtig og præcis indstilling af lodrette geringsvinkler, der anvendes ofte.

Låsepositioner lodret geringsvinkel

Venstre	I midten	Højre
45°; 33,9°; 22,5°	0°	22,5°; 33,9°; 45°

- ▶ Træk frigøringsgrebet til lodret geringsindstilling op for at løse det **(2)**.
- ▶ Træk frigøringsgrebet til lodret geringsindstilling helt op, så savhovedet kan bevæges frit **(3)**.
- ▶ Slip frigøringsgrebet, og vip savhovedet, indtil låsemekanismen går i indgreb.
 - ▶ Savhovedet kan sættes i indgreb i alle de ovennævnte positioner.
- ▶ Tryk derefter frigøringsgrebet helt ned **(1)** for at fastlåse savhovedet i den indstillede position.
- ▶ Hvis du vil indstille den lodrette geringsvinkel frit, skal du holde frigøringsgrebet til lodret geringsindstilling i den øverste position **(3)**, indtil du har nået den ønskede lodrette geringsvinkel.
- ▶ Tryk derefter frigøringsgrebet helt ned **(1)** for at fastlåse savhovedet i den indstillede position.
- ▶ Indstil de øverste geringsanslag, så de ikke kolliderer med savklingen. → Side 37

6.7 Aktivering af savelinjeindikatoren

Saven er udstyret med en savelinjeindikator. En lysdiode i savhovedet oplyser arbejdsområdet, så savklingen laver en skygge, hvorved savelinjen vises præcist.

1. Aktivér tænd/sluk-knappen uden at trykke på startspærren.
 - ▶ Lysdioden tændes.
2. Før savhovedet nedad.
 - ▶ Savklingens skygge viser sig på emnet og viser savelinjen.
3. Tilpas om nødvendigt emnet eller indstillingen af den vandrette og/eller lodrette geringsvinkel til savelinjen.

6.8 Placering og fastgørelse af emnet 12, 13, 14

⚠ ADVARSEL

Fare for personskader på grund af træ, der har slået sig. Et emne, der har slået sig og/eller er buet, kan sætte sig fast på savklingen og dermed medføre tilbageslag.

- ▶ Placer altid emner, der har slået sig eller er buede, med den side, der bøjer udad, ind mod geringsanslaget. Placer aldrig et emne, så der opstår en luftspalte mellem emnet og geringsanslagene.

⚠ ADVARSEL

Fare for personskader på grund af forkert placering af emnet. Et forkert placeret emne kan sætte sig fast på savklingen og dermed medføre tilbageslag.

- ▶ Placer altid emnet, så det hviler mod drejeskiven, understøtningerne og geringsanslagene med så stor anlægsflade som muligt.

⚠ ADVARSEL

Fare for personskader på grund af et usikret emne! Hvis emnet ikke sikres korrekt ved geringsanslaget, kan emnet flytte sig under savning og medføre en mulig beskadigelse af savklingen, hvilket kan medføre, at emnet slynges ud, og at du mister kontrollen.

- ▶ Emnet skal sikres ved alle operationer, ved at spænde det fast med en skruetvinge på drejeskiven og geringsanslaget.



ADVARSEL

Fare for personskader, hvis savens dele kommer i kontakt med skruetvingen! Savklingen kan blive beskadiget, hvis den kommer i kontakt med skruetvingen. Beskyttelsesanordninger kan blive blokeret af skruetvingen, hvorved deres funktion begrænses. Savhovedets bevægelse kan blive blokeret af skruetvingen, hvilket kan medføre tilbageslag.

- ▶ Prøv at foretage den forventede bevægelse, mens saven er slukket. Kontrollér, at ingen af savens komponenter kommer i kontakt med skruetvingen.
 - ▶ Flyt om nødvendigt skruetvingen til et andet sted på saven.
-
- ▶ Tryk på skruetvingens frigøringsknap **(2)**, og træk gevindstangen op til anslag.
 - ▶ Sæt skruetvingen ind i en af de dertil beregnede åbninger **(1)**.
 - ▶ Tryk emnet fast ned mod det nederste geringsanslag.
 - ▶ Tryk på skruetvingens frigøringsknap for hurtigt at tilpasse gevindstangen til emnet **(2)**.
 - ▶ Vip skruetvingen bagud mod gevindstangens position **(3)**. Tilspænd derefter gevindstangen ved at dreje den med uret, og fastgør på den måde emnet **(4)**.
 - ▶ Drej gevindstangen mod uret for at løsne emnet. Tryk derefter på skruetvingens frigøringsknap, og træk gevindstangen op til anslag.

6.9 Indstilling af omdrejningstal

- ▶ Indstil det ønskede omdrejningstal på omdrejningstal-indstillingshjulet.

6.10 Tænd/sluk

ADVARSEL

Fare for personskader som følge af tilbageslag.

- ▶ Tænd kun saven, når savklingen ikke rører emnet.

ADVARSEL

Fare for personskader som følge af tilbageslag.

- ▶ Sluk saven, og lad savhovedet stå i nederste position, indtil savklingen står helt stille.

1. Tryk på startspærren, og hold den inde.
2. Tryk på tænd/sluk-knappen, og hold den inde.
 - ▶ Saven kører.
3. Slip tænd/sluk-knappen for at slukke saven.

6.11 Savning

ADVARSEL

Fare for personskader ved forkert placering af hænder og arme. Hvis du har placeret arme og hænder forkert, kan den roterende savklinge ramme dem og medføre alvorlige personskader.

- ▶ Kryds aldrig armene, mens saven kører. Kryds aldrig savelinjen med en arm eller en hånd.
- ▶ Hold armene og hænderne uden for det markerede fareområde til højre og til venstre for savklingen.

Den rette kropsholdning og håndstilling ved arbejdet med geringsssaven gør det nemmere og mere sikkert at save præcist.

Stå fast med begge fødder på gulvet, og sørg for at holde balancen. Når du bevæger geringsarmen til venstre og til højre, skal du følge den og stå lidt ved siden af savklingen.

Hold fareområdet på 230 mm (9 in) til venstre og 270 mm (10,4 in) til højre for savklingen frit. Hold hænder, arme og andre legemsdele væk fra fareområdet.

Hold hænderne i position, indtil tænd/sluk-knappen er sluppet, og savklingen er standset helt.



Tryk savhovedet nedad stille, roligt og kontrolleret for at foretage savningen. Ved for stort tryk eller kraftudøvelse fra siden i forhold til savelinjen kan savklingen begynde at vibrere, og derved kan der opstå mærker i emnet og savenøjagtigheden kan blive forringet.



6.11.1 Savning uden trykbevægelse (kapsavning)

ADVARSEL

Fare for personskader, hvis udtræk ikke er fastlåst. Et udtræk, der ikke er fastlåst, kan medføre en uventet glidebevægelse af savhovedet og tilbageslag.

- ▶ Fastlås altid udtrækket ved kapsavning.

1. Tryk savhovedet tilbage til anslag (væk fra dig selv).
2. Lås udtrækket. → Side 36
3. Indstil anslagspladen på dybdeanslaget, så dybdeanslaget går ned gennem åbningen, når savhovedet sænkes. → Side 36
4. Tilpas alle savens indstillinger (vinkel, geringsanslag, anlægsflader) i overensstemmelse med kravene til den saveopgave, der skal udføres.
5. Sørg for at sikre emnet. → Side 38
6. Tænd saven. → Side 39
7. Før savhovedet langsomt nedad, og sav gennem emnet med jævn fremføring.
8. Sluk saven, og vent, til savklingen står helt stille.
9. Sæt savhovedet tilbage i øverste position.

6.11.2 Savning med trykbevægelse

ADVARSEL

Tilbageslag på grund af forkert bevægelse af savhovedet. Forkert bevægelse af savhovedet ved savning med trykbevægelse kan medføre tilbageslag.

- ▶ Træk altid savhovedet helt ud før savning, sænk det derefter, og tryk det derefter hen mod geringsanslagene.
- ▶ Træk aldrig savhovedet ind mod dig selv, når savklingen allerede er nede i emnet.



Tryk ved savning med trykbevægelse savhovedet stille og roligt og uden stop ned til geringsanslaget. Hvis trykbevægelsen bliver afbrudt under savningen, vil savklingen lave mærker i emnet og savenhøjigheden forringes.

1. Løsn om nødvendigt udtrækket. → Side 36
2. Indstil anslagspladen på dybdeanslaget, så dybdeanslaget går ned gennem åbningen, når savhovedet sænkes. → Side 36
3. Tilpas alle savens indstillinger (vinkel, geringsanslag, anlægsflader) i overensstemmelse med kravene til den saveopgave, der skal udføres.
4. Sørg for at sikre emnet. → Side 38
5. Træk savhovedet helt ind til dig selv.
6. Tænd saven. → Side 39
7. Før savhovedet langsomt nedad.
8. Hold savhovedet i den nederste position, og tryk det langsomt bagud (væk fra dig selv). Sav gennem emnet med jævn fremføring.
9. Sluk saven, og vent, til savklingen står helt stille.
10. Sæt savhovedet tilbage i øverste position.

6.11.3 Notsavning

1. Indstil dybdestoppet til den ønskede savedybde. → Side 36
2. Udfør et snit med trykbevægelse. → Side 40

6.11.4 Savning af profillister

ADVARSEL

Fare for personskader på grund af forkert sikring af emnet. Et forkert sikret emne kan sætte sig fast på savklingen og dermed medføre tilbageslag.

- ▶ Når profillisten placeres op mod geringsanslaget, er det meget vigtigt at sikre profillisten tilstrækkeligt, så den ikke kan flytte sig. → Side 38

Profillister kan saves på to forskellige måder:



- Placeret op mod geringsanslaget
- Fladt liggende på savbordet
- ▶ Udfør savningen med eller uden trykbevægelse afhængigt af profilisternes bredde.
- ▶ Afprøv først den indstillede vandrette og/eller lodrette geringsvinkel på et stykke affaldstræ.

7 Rengøring og vedligeholdelse

ADVARSEL

Fare for personskader ved isat batteri !

- ▶ Fjern altid batteriet før alle pleje- og vedligeholdelsesarbejder!

Pleje af produktet

- Fjern fastsiddende snavs forsigtigt.
- Rengør forsigtigt ventilationsåbningerne med en tør, blød børste.
- Rengør kun huset med en hårdt opvredet klud. Brug ikke silikoneholdige plejemidler, da de kan angribe plastdelene.
- Brug en ren, tør klud til at rengøre kontakterne på produktet.
- Rengør udtrækkets og de ekstra understøtningers glidestænger regelmæssigt. Smør alle glidestængerne med et par dråber olie efter hver rengøring.
- Rengør de øverste geringsanslags anlægsflader regelmæssigt. Smør derefter om nødvendigt anlægsfladerne med fedt.

Pleje af Li-ion-batterier

- Anvend aldrig et batteri med tilstoppede ventilationsåbninger. Rengør forsigtigt ventilationsåbningerne med en tør, blød børste.
- Undgå, at batteriet unødigt udsættes for støv og snavs. Udsæt aldrig batteriet for høj fugtighed (f.eks. dyppe det i vand eller lade det stå ude i regnvejr). Hvis et batteri er blevet gennemvådet, skal det behandles som et beskadiget batteri. Isolér det i en ikke-brændbar beholder, og kontakt **Hilti Service**.
- Hold batteriet frit for udefrakommende olie og fedt. Lad ikke unødigt støv og snavs samle sig på batteriet. Rengør batteriet med en tør, blød børste eller en ren, tør klud. Brug ikke silikoneholdige plejemidler, da de kan angribe plastdelene. Berør ikke batteriets kontakter, og fjern ikke det fedt fra kontakterne, som er påført fra fabrikken.
- Rengør kun huset med en hårdt opvredet klud. Brug ikke silikoneholdige plejemidler, da de kan angribe plastdelene.

Vedligeholdelse

- Kontrollér regelmæssigt alle synlige dele for skader og betjeningslementerne for fejlfri funktion.
- Anvend ikke produktet i tilfælde af beskadigelse og/eller funktionsfejl. Få straks produktet repareret af **Hilti Service**.
- Monter alle beskyttelsesanordninger efter pleje- og vedligeholdelsesarbejder, og kontrollér dem for korrekt funktion.



Anvend kun originale reservedele og forbrugsmaterialer af hensyn til en sikker drift. Reservedele, forbrugsmaterialer og tilbehør til dit produkt, som **Hilti** har godkendt, finder du i din **Hilti Store** eller under: www.hilti.group

7.1 Rengøring af beskyttelsesanordning

1. Afmonter savklingen. → Side 36
2. Rengør forsigtigt beskyttelsesanordningerne med en tør børste.
3. Fjern aflejringer og spåner inde i beskyttelsesanordningerne med et egnet værktøj.
4. Monter savklingen. → Side 35

7.2 Rengøring af udsugningsadapter og forbindelsesslange

1. Fjern støvposen eller den tilsluttede sugeslange fra støvudsugningen.
2. Løsn monteringskraven til forbindelsesslangen på savhovedet **(1)**.
3. Træk forbindelsesslangen af savhovedet **(2)** og af udsugningsadapteren.
4. Tøm forbindelsesslangen, og rengør den med en tør børste.



5. Rengør spånkanalen på savhovedet og udsugningsadapteren med en tør børste.
6. Sæt forbindelsesslangen på udsugningsadapteren og savhovedet igen.
7. Spænd monteringskruen til forbindelsesslangen fast på savhovedet.
8. Monter støvposen, eller tilslut støvudsugningen igen. → Side 35

7.3 Tømning af støvposen **18**

1. Træk støvposen af udsugningsadapteren.
2. Åbn støvposens lynlås, og bortskaf indholdet korrekt.
3. Luk støvposens lynlås.
4. Monter støvposen igen på udsugningsadapteren. → Side 35

7.4 Kontrol og justering af indstillinger og indikatorer

Kap-/geringsraven er omhyggeligt indstillet og justeret fra fabrikken. Men det kan alligevel være nødvendigt at kontrollere og om nødvendigt at justere savens indstillinger og indikatorer efter intensiv brug eller hårdhændet behandling.

Du skal have erfaring og bruge specialværktøj for at kontrollere og justere saven.

Hilti anbefaler, at justering af saven kun udføres af **Hilti Service**.



Berør aldrig savtændernes spidser med vinkelmåleren ved kontrol og indstilling. Det medfører forkert måling. Vinkelmåleren skal altid stemme overens med stamklingen.

7.4.1 Kontrol af den lodrette geringsvinkel

1. Tryk savhovedet tilbage til anslag (væk fra dig selv).
2. Indstil anslagspladen på dybdeanslaget, så dybdeanslaget går ned gennem åbningen, når savhovedet sænkes. → Side 36
3. Indstil den vandrette geringsvinkel til 0°.
4. Tryk savhovedet nedad, og tryk transportsikringen ind for at låse savhovedet.
5. Indstil den lodrette geringsvinkel til 0°.
6. Indstil en vinkelmåler til 90°.
7. Indstil vinkelmåleren lodret og i plan med savbordet.
8. Kør vinkelmåleren hen til savklingen.
 - ▶ Vinkelmåleren skal flugte med savklingen langs hele linjen.
9. Indstil den lodrette geringsvinkel til 45° til højre.
10. Indstil vinkelmåleren til 45° (alternativt til 135° ved måling af venstre side).
11. Indstil vinkelmåleren lodret og i plan med savbordet.
12. Kør vinkelmåleren hen til savklingen.
 - ▶ Vinkelmåleren skal flugte med savklingen langs hele linjen.
13. Gentag trinnene for den lodrette geringsvinkel 45° til venstre.

Resultat 1 / 2

Vinkelmåleren flugter med savklingen langs hele linjen i alle tre målinger.

- ▶ Saven er korrekt justeret.

Resultat 2 / 2

Vinkelmåleren og savklingen flugter ikke i en eller flere målinger.

- ▶ Kontakt **Hilti Service**.

7.4.2 Justering af indikatoren for den lodrette geringsvinkel **19**

1. Kontrollér, at den lodrette geringsvinkel er helt præcis. → Side 42
2. Indstil den lodrette geringsvinkel til 0°.
3. Løs monteringskruen til en indikator til den lodrette geringsvinkel, og indstil den præcist til 0°.
4. Spænd monteringskruen fast igen med hånden. Hold samtidig indikatoren fast, så den viser præcist 0°.
5. Gentag om nødvendigt dette trin for den anden indikator for den lodrette geringsvinkel.
6. Kontrollér, at den faktiske lodrette geringsvinkel stemmer overens med begge indikatorer for vinklerne 45° til højre og 45° til venstre.
 - ▶ Kontakt **Hilti Service**, hvis en indikator ved kontrol på et eller flere steder ikke stemmer overens med den faktiske vinkel og ikke kan justeres tilstrækkeligt.



7.4.3 Kontrol af den vandrette geringsvinkel

1. Tryk savhovedet tilbage til anslag (væk fra dig selv).
2. Indstil anslagspladen på dybdeanslaget, så dybdeanslaget går ned gennem åbningen, når savhovedet sænkes. → Side 36
3. Indstil den lodrette geringsvinkel til 0°.
4. Tryk savhovedet nedad, og tryk transportsikringen ind for at låse savhovedet.
5. Indstil den vandrette geringsvinkel til 0°.
6. Indstil en vinkelmåler til 90°.
7. Læg vinkelmåleren fladt på savbordet og i plan med geringsanslaget.
8. Kør vinkelmåleren hen til savklingen.
 - ▶ Vinkelmåleren skal flugte med savklingen langs hele linjen.
9. Indstil den vandrette geringsvinkel til 45° til højre.
10. Indstil vinkelmåleren til 45° (alternativt til 135° ved måling af venstre side).
11. Læg vinkelmåleren fladt på savbordet og i plan med geringsanslaget.
12. Kør vinkelmåleren hen til savklingen.
 - ▶ Vinkelmåleren skal flugte med savklingen langs hele linjen.
13. Gentag trinnene for den vandrette geringsvinkel 45° til venstre.

Resultat 1 / 2

Vinkelmåleren flugter med savklingen langs hele linjen i alle tre målinger.

- ▶ Saven er korrekt justeret.

Resultat 2 / 2

Vinkelmåleren og savklingen flugter ikke i en eller flere målinger.

- ▶ Juster den vandrette geringsvinkel, eller kontakt **Hilti Service**. → Side 43

7.4.4 Justering af vandret geringsvinkel og skala **20**

1. Lad drejeskiven gå i indgreb ved position 0°.
2. Løsn drejeskivens låsehåndtag.
3. Løsn de fire monteringskruer til den vandrette geringsvinkels skala.
4. Indstil en vinkelmåler til 90°.
5. Læg vinkelmåleren fladt på savbordet og i plan med geringsanslaget.
6. Kør vinkelmåleren hen til savklingen. Juster drejeskiven inklusive den vandrette geringsvinkels skala ved hjælp af vinkelmåleren.
 - ▶ Vinkelmåleren skal flugte med savklingen langs hele linjen.
7. Spænd drejeskivens låsehåndtag fast for at forhindre, at drejeskiven bevæger sig.
8. Spænd de fire monteringskruer til den vandrette geringsvinkels skala fast.
9. Kontrollér den vandrette geringsvinkel 45° til højre og 45° til venstre. → Side 43

Resultat 1 / 2

Vinkelmåleren er i plan med savklingen over hele linjen ved den vandrette geringsvinkel 45° til højre og 45° til venstre.

- ▶ Saven er korrekt justeret.

Resultat 2 / 2

Vinkelmåleren og savklingen flugter ikke i en eller flere målinger.

- ▶ Kontakt **Hilti Service**.

7.4.5 Justering af indikatoren for den vandrette geringsvinkel **21**

1. Kontrollér, at den vandrette geringsvinkel er helt præcis. → Side 43
2. Juster om nødvendigt den vandrette geringsvinkel. → Side 43
3. Indstil den vandrette geringsvinkel til 0°.
4. Løsn monteringskruen til en indikator til den vandrette geringsvinkel, og indstil den præcist til 0°.
5. Spænd monteringskruen fast igen med hånden. Hold samtidig indikatoren fast, så den viser præcist 0°.
6. Gentag om nødvendigt dette trin for den anden indikator for den vandrette geringsvinkel.
7. Kontrollér, at den faktiske vandrette geringsvinkel stemmer overens med begge indikatorer for vinklerne 45° til højre og 45° til venstre.
 - ▶ Kontakt **Hilti Service**, hvis en indikator ved kontrol på et eller flere steder ikke stemmer overens med den faktiske vinkel og ikke kan justeres tilstrækkeligt.



7.5 Udskiftning af støvudskiller **22**

ADVARSEL

Fare for personskader på grund af forkert monteret deflektor. Hvis en deflektor vendes forkert ved montering, kan savklingen blokere. Deflektoren eller savklingen kan knække, og delene kan blive slynget ud.

- ▶ Sørg for at vende deflektoren rigtigt ved montering. Den fjederbelastede del af deflektoren skal pege væk fra savklingen.

1. Løsn monteringsskrue (1) på den ene side, og fjern deflektoren (3).
2. Løsn monteringsskrue på den modsatte side, og fjern den anden deflektor og støvudskilleren (2).
3. Indsæt den nye støvudskiller (2) og en deflektor (3).
 - ▶ Sørg for at placere deflektoren korrekt.
4. Skru begge dele fast med monteringsskrue.
5. Skru den anden deflektor og støvudskilleren fast på den modsatte side.
 - ▶ Sørg for at placere deflektoren korrekt.
 - ▶ Kontrollér, at støvudskilleren og begge deflektorer sidder sikkert fast.

7.6 Udskiftning af slidsplader **23**

Slidspladerne er indstillet fra fabrikken, så de ikke kommer i kontakt med savklingen. Men slidspladerne slides alligevel lidt. Du kan købe slidsplader som reservedele hos **Hilti**. Brugeren kan nemt og enkelt skifte dem selv.

1. Løsn alle monteringsskrue til slidspladerne, og bortskaf de slidte slidsplader.
2. Indsæt nye slidsplader.
3. Spænd monteringsskrue let, så slidspladerne stadig kan bevæges.
4. Indstil slidspladernes position, så savklingen ikke kommer i kontakt med dem.
 - ▶ Kontrollér især de maksimale lodrette geringsvinkler til højre og til venstre.
 - ▶ Kontrollér også alle de øvrige vandrette og lodrette geringsvinkler.
5. Spænd alle monteringskrue fast med hånden, når indstillingen er afsluttet.

8 Transport og opbevaring af batteridrevet værktøj og batterier **24, 25**

Transport af kap-/geringsaven

Udfør følgende trin før transport af saven:

- ▶ Tryk savhovedet tilbage til anslag (væk fra dig selv).
- ▶ Lås udtrækket. → Side 36
- ▶ Indstil anslagspladen på dybdeanslaget, så dybdeanslaget går ned gennem åbningen, når savhovedet sænkes. → Side 36
- ▶ Indstil den lodrette geringsvinkel til 0°.
- ▶ Tryk savhovedet nedad, og tryk transportsikringen ind for at låse savhovedet.
- ▶ Tryk om nødvendigt de ekstra understøtninger helt ind. → Side 36
- ▶ Indstil den vandrette geringsvinkel til højre anslag (60°), og fastgør drejeskiven.
- ▶ Fjern alle tilbehørsdele (f.eks. skruevinge), der ikke kan fastmonteres på saven.
- ▶ Afmonter om nødvendigt låsehåndtaget, og klem det fast i en af holderne på bagsiden af det øverste geringsanslag.

Bær kun saven i de dertil beregnede anordninger:

- Forsænkede greb under de ekstra understøtninger (1)
- Forsænket greb bagpå ved siden af støvsugerenheden (2)
- Håndgreb på savhovedet (3)

Transport af batterier

FORSIGTIG

Utilsigtet start ved transport !

- ▶ Transportér altid dine produkter uden isat batteri!

- ▶ Tag batteriet/batterierne af.
- ▶ Transportér aldrig batterier liggende løst og ubeskyttet. Under transporten bør batterierne beskyttes mod hårde slag og vibrationer og isoleres fra enhver form for ledende materialer eller andre batterier,



så de ikke kommer i kontakt med andre batteripoler og forårsager en kortslutning. **Overhold de lokale transportforskrifter for batterier.**

- ▶ Batterier må ikke sendes med posten. Henvend dig til et transportfirma, hvis du ønsker at sende ubeskadigede batterier.
- ▶ Kontrollér produktet og batterierne for skader hver gang før brug og før og efter længere transport.

Opbevaring



ADVARSEL

Utsigtet beskadigelse på grund af defekte eller utætte batterier !

- ▶ Opbevar altid dine produkter uden isat batteri!
- ▶ Opbevar produkt og batterier køligt og tørt. Overhold de temperaturgrænser, der fremgår af de tekniske data.
- ▶ Opbevar ikke batterier i laderen. Tag batteriet ud af laderen, når opladningen er gennemført.
- ▶ Opbevar aldrig batterier i direkte sollys, på varmekilder eller i et vindue.
- ▶ Opbevar produkt og batterier utilgængeligt for børn og uvedkommende personer.
- ▶ Kontrollér produktet og batterierne for skader hver gang før brug og før og efter længere tids opbevaring.

9 Fejlafhjælpning

Vær opmærksom på batteriets statusindikator ved alle fejl. Se kapitlet **Li-ion-batteriets indikatorer**.

Ved fejl, som ikke fremgår af denne tabel, eller som du ikke selv kan afhjælp, beder vi dig om at kontakte **Hilti Service**.

Fejl	Mulig årsag	Løsning
Hastigheden falder pludselig kraftigt.	Aflad batteri.	▶ Oplad batteriet.
	Fremføringskraft for høj.	▶ Nedsæt fremføringskraften, og tænd produktet igen.
Savklingen forbliver standset.	Fremføringskraft for høj.	▶ Nedsæt fremføringskraften, og tænd produktet igen.
Motoren har ingen bremsefunktion.	Aflad batteri.	▶ Oplad batteriet.
Skærevinklen er upræcis.	Vinkelnøjagtigheden, skalaen eller indikatorerne er forkert indstillet.	<ul style="list-style-type: none"> ▶ Kontrollér og juster indstillingerne og indikatorerne. → Side 42 ▶ Kontakt Hilti Service, hvis du ikke selv kan justere en indstilling, eller savens nøjagtighed afviger for meget.
Batteriets lysdioder viser in-genting	Batteriet er defekt	▶ Kontakt Hilti Service .

10 Bortskaffelse



ADVARSEL

Fare for personskader på grund af ukorrekt bortskaffelse! Sundhedsfare på grund af udtrængen af gasser eller væsker.

- ▶ Beskadigede batterier må under ingen omstændigheder sendes!
- ▶ Tildæk kontakterne med et ikke-ledende materiale, så kortslutninger undgås.
- ▶ Bortskaf batterier på en sådan måde, at børn ikke kan få fat på dem.
- ▶ Bortskaf batteriet hos din **Hilti Store**, eller henvend dig til det ansvarlige renovationsfirma.

Størstedelen af de materialer, som anvendes ved fremstillingen af **Hilti**-produkter, kan genvindes. Materialerne skal dog sorteres, før de kan genvindes. I mange lande kan du aflevere dine udtjente produkter til **Hilti**, som derefter genvinder dem. Spørg **Hilti**s kundeservice eller din forhandler.



- ▶ Elværktøj, elektriske maskiner og batterier må ikke bortskaffes sammen med almindeligt husholdningsaffald!



11 Producentgaranti

- ▶ Hvis du har spørgsmål vedrørende garantibetingelserne, bedes du henvende dig til din lokale **Hilti**-partner.

12 Yderligere oplysninger


Yderligere oplysninger vedrørende betjening, teknik, miljø og recycling finder du under følgende link: qr.hilti.com/manual/?id=2395172&id=2395174

Denne link finder du også som QR-kode sidst i brugsanvisningen.

Originalbruksanvisning

1 Anvisninger om bruksanvisning

1.1 Om denna bruksanvisning

- Varning! Innan du använder produkten ska du se till att du har läst och förstått den bruksanvisning som medföljer produkten, inklusive instruktioner, säkerhets- och varningsanvisningar, bilder och specifikationer. Gör dig särskilt förtrogen med alla anvisningar, säkerhets- och varningsanvisningar, bilder, specifikationer samt beståndsdelar och funktioner. Vid underlåtenhet att göra detta finns fara för elstötar, brand och/eller allvarliga personskador. Spara bruksanvisningen med alla anvisningar, säkerhets- och varningsanvisningar för senare användning.
- Den bifogade bruksanvisningen motsvarar den aktuella tekniska nivån vid tidpunkten för tryckningen. Du hittar alltid den senaste versionen online på Hiltis produktsida. Följ länken eller QR-koden i denna bruksanvisning, som är markerad med symbolen .
- Produkten bör endast överlämnas till andra personer tillsammans med denna bruksanvisning.

1.2 Teckenförklaring

1.2.1 Varningar

Varningarna är till för att varna för risker i samband med användning av produkten. Följande riskindikeringar används:

FARA

FARA !

- ▶ Anger överhängande risker som kan leda till svåra personskador eller dödsolycka.

VARNING

VARNING !

- ▶ Anger potentiella risker som kan leda till svåra personskador eller dödsfall.




FÖRSIKTIGHET

FÖRSIKTIGHET !

- ▶ Används för att uppmärksamma om en potentiell risksituation som kan leda till skador på person eller utrustning.

1.2.2 Symboler i bruksanvisningen

I den här bruksanvisningen används följande symboler:

	Observera bruksanvisningen
	Anmärkningar och annan praktisk information
	Hantering av återvinningsbara material



	Elverktyg och batterier får inte kastas i hushållssoporna
	Hilti litiumjonbatteri
	Hilti Batteriladdare

1.2.3 Symboler i bilderna

Följande symboler används i bilder:

	Dessa siffror hänvisar till motsvarande bild i början av bruksanvisningen.
3	Numreringen i bilderna hänvisar till viktiga arbetsmoment eller viktiga komponenter för arbetsmomenten. I texten framhävs dessa arbetsmoment eller komponenter med motsvarande nummer, t.ex. (3).
	I bilden Översikt används positionsnummer och hänvisar till siffrorna i teckenförklaringen i avsnittet Produktöversikt .
	Det här tecknet är till för att du ska vara extra uppmärksam på något som gäller hur du hanterar produkten.

1.3 Produktberoende symboler

1.3.1 Allmänna symboler

Symboler som används med produkten.

	Produkten stöder NFC-teknik, som är kompatibel med iOS- och Android-plattformar.
	Likström
n_0	Nominellt varvtal, obelastat
\emptyset	Diameter
	Mått, sågblad
	Titta inte in i ljuskällan.
Li-Ion	Litiumjonbatteri
	Slå aldrig med något föremål på batteriet och använd aldrig batteriet som slagverktyg.
	Låt inte batteriet falla ner på marken. Använd inte batterier som har utsatts för slag eller på annat sätt har skadats.

1.3.2 Förbudssymboler

Förbudssymboler visar otillåtna handlingar.

	Riskområde! Håll händer, fingrar och armar borta från detta område.
--	---

1.3.3 Påbudssymboler

Påbudssymbolen signalerar obligatoriska åtgärder.

	Använd hörselskydd
	Använd ögonskydd



1.4 Produktinformation

-produkter är avsedda för professionella användare och får endast användas, underhållas och repareras av auktoriserad, utbildad personal. Personalen måste vara särskilt informerad om de risker som finns. Produkten och dess tillbehör kan utgöra en risk om den används på ett felaktigt sätt av utbildad personal eller inte används enligt föreskrifterna.

Typbeteckning och serienummer anges på typskylten.

- ▶ Använd de serienummer som anges i följande tabell. Du behöver produktuppgifterna när du kontaktar vår återförsäljare eller serviceverkstad.

Produktdetaljer

Batteridrivna kap- och geringssåg	SM 60-22
Generation	01
Serienr	

1.5 Försäkringen om överensstämmelse

Härmed intygar tillverkaren med ensamt ansvar att produkten som beskrivs överensstämmer med gällande lagstiftning och standarder. En bild på försäkringen om överensstämmelse hittar du i slutet av dokumentationen. Den tekniska dokumentationen finns sparad här:

Hilti Entwicklungsgesellschaft mbH | Zulassung Geräte | Hiltistraße 6 | 86916 Kaufering, Tyskland

2 Säkerhet

2.1 Allmänna säkerhetsföreskrifter för elverktyg

⚠ VARNING Läs noga igenom alla säkerhetsföreskrifter, anvisningar, avbildningar och tekniska data som medföljer detta elverktyg. Om nedanstående anvisningar inte följs, finns risk för elektriska stötar, brand och/eller svåra skador.

Förvara alla säkerhetsföreskrifter och anvisningarna på ett säkert ställe för framtida användning.

Begreppet "elverktyg" som används i säkerhetsföreskrifterna avser nätdrivna elverktyg (med nätkabel) och batteridrivna elverktyg (sladdlösa).

Säker arbetsmiljö

- ▶ **Håll arbetsområdet rent och väl belyst.** Oordning eller bristfällig belysning på arbetsplatsen kan leda till olyckor.
- ▶ **Arbeta inte med elverktyget i omgivning med explosionsrisk där det finns brännbara vätskor, gaser eller damm.** Elverktyg alstrar gnistor som kan antända dammet eller gaserna.
- ▶ **Håll barn och obehöriga personer på betryggande avstånd under arbetet med elverktyget.** Om du störs av obehöriga personer kan du förlora kontrollen över verktyget.

Elsäkerhet

- ▶ **Elverktygets elkontakt måste passa till vägguttaget. Elkontakten får absolut inte ändras. Använd inte adapterkontakter tillsammans med skyddsjordade elverktyg.** Originalkontakter och lämpliga vägguttag minskar risken för elstötar.
- ▶ **Undvik kroppskontakt med jordade ytor som rör, värmeelement, spisar och kylskåp.** Det finns en större risk för elstötar om din kropp är jordad.
- ▶ **Skydda elverktyget från regn och väta.** Tränger vatten in i ett elverktyg ökar risken för elstötar.
- ▶ **Använd inte anslutningskabeln på ett felaktigt sätt, t.ex. genom att bära eller hänga upp elverktyget i den eller dra i den för att lossa elkontakten ur vägguttaget. Håll anslutningskabeln på avstånd från värmekällor, olja, vassa kanter och rörliga delar.** Skadade eller tilltrasslade anslutningskablar ökar risken för elstötar.
- ▶ **När du arbetar med ett elverktyg utomhus, använd endast förlängningskablar som är avsedda för utomhusbruk.** Genom att använda en lämplig förlängningskabel för utomhusbruk minskar du risken för elstötar.
- ▶ **Om det är alldeles nödvändigt att använda verktyget i fuktig miljö ska du använda en jordfelsbrytare.** Användning av jordfelsbrytare minskar risken för elstötar.

Personsäkerhet

- ▶ **Var uppmärksam, ha uppsikt över vad du gör och använd elverktyget med förnuft. Använd aldrig elverktyg om du är trött eller påverkad av droger, alkohol eller medicin.** En kort sekund av bristande uppmärksamhet när du arbetar med ett elverktyg kan leda till att du skadar dig själv eller någon annan svårt.



- ▶ **Bär alltid personlig skyddsutrustning och skyddsglasögon.** Genom att använda personlig skyddsutrustning som t.ex. dammskyddsmask, halkfria säkerhetsskor, hjälm eller hörselskydd, beroende på vilket elverktyg du använder och till vad, minskar du risken för kroppsskada.
- ▶ **Undvik oavsiktlig igångsättning. Se till att elverktyget är fränkopplat innan du ansluter det till nätströmmen och/eller batteriet, tar upp det eller bär det.** Om du bär elverktyget med fingret på strömbrytaren eller ansluter ett tillkopplat verktyg till nätströmmen kan en olycka inträffa.
- ▶ **Ta bort alla inställningsverktyg och skruvnycklar innan du kopplar in elverktyget.** Ett verktyg eller en nyckel i en roterande komponent kan leda till skador.
- ▶ **Undvik en onormal kroppshållning. Se till att du står stadigt och håller balansen.** Då kan du lättare kontrollera elverktyget i oväntade situationer.
- ▶ **Bär lämpliga kläder. Bär inte löst hängande kläder eller smycken. Håll håret, kläderna och handskarna på avstånd från rörliga delar.** Löst hängande kläder, smycken och långt hår kan dras in av roterande delar.
- ▶ **När du använder elverktyg med anordningar för uppsugning och uppsamling av damm, bör du kontrollera att dessa anordningar är rätt monterade och används korrekt.** Används en dammsugare kan faror som orsakas av damm minskas.
- ▶ **Invagga dig inte i falsk säkerhet och strunta inte säkerhetsreglerna för elverktyg även om du har stor vana vid att arbeta med elverktyget.** Oförsiktig hantering kan leda till allvarliga skador inom bråkdelar av en sekund.

Användning och hantering av elverktyg

- ▶ **Överbelasta inte verktyget. Använd elverktyg som är avsedda för det aktuella arbetet.** Med ett lämpligt elverktyg kan du arbeta bättre och säkrare inom angivet effektområde.
- ▶ **Använd aldrig elverktyget om strömbrytaren är defekt.** Ett elverktyg som inte kan kopplas in eller ur är farligt och måste repareras.
- ▶ **Dra ut elkontakten ur uttaget och/eller ta i förekommande fall bort det löstagbara batteriet innan du gör inställningar, byter tillbehör eller lägger ifrån dig verktyget.** Denna skyddsåtgärd förhindrar att du eller någon annan råkar sätta igång elverktyget av misstag.
- ▶ **Förvara elverktyg oåtkomligt för barn. Verktyget får inte användas av personer som inte är vana eller inte har läst dessa anvisningar.** Elverktyg är farliga om de används av oerfarna personer.
- ▶ **Underhåll elverktygen och tillbehören noggrant. Kontrollera att rörliga komponenter fungerar felfritt och inte kärvar och att komponenter inte har brustit eller skadats så att elverktygets funktion påverkas negativt. Se till att skadade delar repareras innan verktyget används igen.** Många olyckor orsakas av dåligt skötta elverktyg.
- ▶ **Håll insatsverktygen skarpa och rena.** Omsorgsfullt skötta insatsverktyg med skarpa eggar kommer inte så lätt i kläm och går lättare att styra.
- ▶ **Använd elverktyg, tillbehör, insatsverktyg osv. enligt dessa anvisningar. Ta hänsyn till arbetsvillkoren och arbetsmomenten.** Används elverktyget på icke ändamålsenligt sätt kan farliga situationer uppstå.
- ▶ **Se till att handtaget och greppytorna är torra, rena och fria från olja och fett.** Med hala handtag och gripytor går det inte att hantera och kontrollera elverktyget säkert i oväntade situationer.

Användning och hantering av batteriverktyg

- ▶ **Ladda endast batterierna i de laddare som tillverkaren har rekommenderat.** Brandrisk kan uppstå om en laddare som är avsedd för en viss typ av batterier används för andra batterityper.
- ▶ **Använd endast batterier som är avsedda för aktuellt elverktyg.** Används andra batterier finns det risk för kroppsskada och brand.
- ▶ **Håll gem, mynt, nycklar, spikar, skruvar och andra små metallföremål på avstånd från reservbatterier för att undvika kortslutning av kontaktarna.** En kortslutning av batteriets kontakter kan leda till brännskador eller brand.
- ▶ **Om batteriet används på fel sätt kan vätska rinna ur batteriet. Undvik kontakt med vätskan. Vid oavsiktlig kontakt, skölj med vatten. Om vätska kommer i kontakt med ögonen, uppsök dessutom läkare.** Batterivätskan kan orsaka hudirritation eller brännskada.
- ▶ **Använd aldrig skadade eller egenhändigt modifierade batterier.** Skadade eller modifierade batterier kan bete sig oförutsägbart och orsaka brand, explosioner eller risk för skador.
- ▶ **Utsätt aldrig batterier för öppen eld eller för höga temperaturer.** Öppen eld eller temperaturer över 130 °C (265 °F) kan orsaka explosion.
- ▶ **Följ alla anvisningar för laddning och ladda aldrig batteriet eller batteriverktyget vid temperaturer som ligger utanför det intervall som anges i bruksanvisningen.** Felaktigt utförd laddning eller laddning vid temperaturer utanför det tillåtna intervallet kan förstöra batteriet och öka risken för brand.



Service

- ▶ **Låt endast kvalificerad fackpersonal reparera elverktyget och använd då endast originalreservdelar.** Detta garanterar att verktygets säkerhet upprätthålls.
- ▶ **Utför aldrig underhåll på skadade batterier.** Underhåll av batterier får endast utföras av tillverkaren eller av auktoriserade kundservicecenter.

2.2 Säkerhetsanvisningar för kap- och geringssågar

- ▶ **Kap- och geringssågar passar för kapning av trä eller träliknande produkter. De kan inte användas till att kapa järnhaltiga material som stänger, skruvar osv.** Nötande damm leder till blockering av rörliga delar som den nedre skyddskåpan. Gnistor vid kapningen bränner den nedre skyddskåpan, lågsskivan och andra plastdelar.
- ▶ **Fäst arbetsstycket med skruvvingar om det är möjligt. När du håller fast arbetsstycket med handen måste du alltid hålla handen minst 100 mm (4 tum) från varje sida av sågklingan. Använd inte sågen till att kapa bitar som är för små för att du ska kunna spänna fast dem eller hålla fast dem med handen.** Om handen är för nära sågklingan finns det risk för att du skadar dig om du råkar nudda sågklingan.
- ▶ **Arbetsstycket får inte kunna röra sig och måste antingen spännas fast eller pressas mot anslaget och bordet. Skjut inte in arbetsstycket i sågklingan och kapa aldrig "på fri hand".** Lösa eller rörliga arbetsstycken kan slungas ut med hög hastighet och orsaka personskador.
- ▶ **Skjut sågen genom arbetsstycket. Undvik att dra sågen genom arbetsstycket. För kapning lyfter du såghuvudet och drar det över arbetsstycket, utan att kapa. Sedan rör du på motorn, svänger såghuvudet nedåt och trycker sågen genom arbetsstycket.** Om du drar sågen när du kapar finns det risk för att sågklingan reser sig i arbetsstycket och att sågklinge enheten slungas mot dig med våldsamt kraft.
- ▶ **Korsa aldrig handen över den avsedda snittlinjen, vare sig framför eller bakom sågklingan.** Det är mycket farligt att stötta arbetsstycket "med korsade händer", dvs. att hålla i arbetsstycket till höger om sågklingan med vänster hand eller omvänt.
- ▶ **Stick inte in händerna bakom anslaget när sågklingan roterar. Underskrid aldrig säkerhetsavståndet på 100 mm (4 tum) mellan handen och den roterande sågklingan (gäller på båda sidor om sågklingan, t.ex. vid borttagning av träavfall).** Det kan hända att du inte ser hur nära handen den roterande sågklingan är, och du kan få allvarliga skador.
- ▶ **Kontrollera arbetsstycket före kapningen. Om arbetsstycket är böjt eller skevt spänner du fast det med den utåtböjda sidan mot anslaget. Kontrollera alltid att det inte finns något mellanrum mellan arbetsstycket, anslaget och bordet längs snittlinjen.** Böjda eller skeva arbetsstycken kan vrida sig eller förskjutas och orsaka att den roterande sågklingan kläms fast under kapningen. Det får inte finnas några spikar eller andra främmande föremål i arbetsstycket.
- ▶ **Använd inte sågen förrän bordet är fritt från verktyg, träavfall osv., endast arbetsstycket får finnas på bordet.** Smått avfall, lösa trästycken eller andra föremål som kommer i kontakt med den roterande klingan kan slungas iväg med hög hastighet.
- ▶ **Kapa bara ett arbetsstycke i taget.** Flera arbetsstycken som staplas ovanpå varandra går inte att spänna fast eller hålla fast ordentligt och kan vid sågningen glida snett eller orsaka att klingan kläms fast.
- ▶ **Se före användningen till att kap- och geringssågen står på en jämn och fast arbetsyta.** En jämn och fast arbetsyta minskar risken för att kap- och geringssågen blir instabil.
- ▶ **Planera arbetet. Se vid varje justering av sågklingans lutning eller gervinkeln till att det justerbara anslaget är rätt justerat och stöttar arbetsstycket, utan att komma i kontakt med klingan eller skyddskåpan.** Du ska genomföra en simulering av sågklingans fullständiga kapningsrörelse, utan att slå på maskinen och utan arbetsstycke på bordet, för att se till att inget hindrar funktionen eller att det finns risk för att kapa anslaget.
- ▶ **Om arbetsstycket är bredare eller längre än bordsskivan ska du se till att stötta det på lämpligt sätt, t.ex. med förlängningsskivor eller sågbockar.** Arbetsstycken som är längre eller bredare än kap- och geringssågens bord kan tippa om de inte stötts ordentligt. Om en kapad träbit eller arbetsstycket tippar kan de lyfta den nedre skyddskåpan eller okontrollerat slungas iväg av den roterande klingan.
- ▶ **Använd inte andra personer i stället för förlängningsskiva eller som extra uppstöttning.** En instabil uppstöttning av arbetsstycket kan leda till att klingan kläms fast. Arbetsstycket kan även flytta sig under kapningen och dra in dig eller medhjälparen i den roterande klingan.
- ▶ **Den kapade delen får inte pressas mot den roterande sågklingan.** Om det är ont om plats, t.ex. när klyvanslag används, kan den kapade delen kila fast i klingan och slungas iväg med våldsamt kraft.
- ▶ **Använd alltid en skruvving eller en lämplig anordning för att stötta runda material som stänger eller rör ordentligt.** Stänger tenderar att rulla iväg vid kapningen, vilket kan göra att klingan "biter sig fast" och att arbetsstycket dras in i klingan tillsammans med handen.



- ▶ **Låt klingan uppnå fullständigt varvtal innan du kapar arbetsstycket.** Det minskar risken för att arbetsstycket slungas iväg.
- ▶ **Om arbetsstycket kläms fast eller blockerar klingan kopplar du från kap- och geringssågen. Vänta tills alla rörliga delar har stannat, dra ut elkontakten och/eller ta ut batteriet. Ta sedan bort det fastklämda materialet.** Om du fortsätter att såga när sådana blockeringar uppstått kan du förlora kontrollen över kap- och geringssågen, eller så kan den skadas.
- ▶ **När kapningen har slutförts släpper du strömbrytaren, håller ned såghuvudet och väntar tills klingan har stannat innan du tar bort den kapade delen.** Det är farligt att sticka in handen i närheten av klingan när den håller på att stanna.
- ▶ **Håll i handtaget ordentligt om du utför ett ofullständigt snitt eller om du släpper strömbrytaren innan såghuvudet har nått sitt nedre läge.** Sågens bromsverkan kan göra att såghuvudet dras nedåt med en ryckig rörelse, vilket kan medföra risk för personskador.

2.3 Extra säkerhetsföreskrifter

- ▶ Använd bara produkten och dess tillbehör om de är fullt funktionsdugliga.
- ▶ Produkten eller dess tillbehör får inte byggas om eller ändras.
- ▶ Risk för personskada på grund av nedfallande verktyg och/eller tillbehör. Kontrollera att batteriet och det monterade tillbehöret sitter fast ordentligt innan du påbörjar arbetet.
- ▶ Damm som uppstår vid slipning, polering, kapning och borring kan innehålla farliga kemikalier. Exempel på sådana är: bly eller blybaserade färger, tegel, betong och andra murverksprodukter, natursten och andra produkter som innehåller silikat. Vissa träslag som ek och bok samt kemiskt behandlat trä, asbest eller material som innehåller asbest. Fastställ exponeringen för användaren och personer i närheten av arbetsområdet genom att kontrollera vilken riskklass det material som ska bearbetas tillhör. Vidta nödvändiga åtgärder för att hålla exponeringen på en säker nivå. Använd t.ex. ett dammuppsamlingsssystem eller bär lämpligt andningsskydd. Allmänna åtgärder för att minska exponeringen är:
 - ▶ Arbeta i ett välventilerat utrymme,
 - ▶ Undvik längre kontakt med damm,
 - ▶ Led bort damm från ansiktet och kroppen,
 - ▶ Bär skyddskläder och tvätta exponerade områden med tvål och vatten.
- ▶ Använd alltid skyddsglasögon, skyddshjälm, hörselskydd och lämpligt andningsskydd när du använder produkten.
- ▶ Ta ofta paus i arbetet och utför fingerövningar som ökar blodgenomströmningen i fingrarna. Vid långvarigt, innehållande arbete kan de starka vibrationerna ge besvär i blodkärl och nerver i fingrarna, händerna och handlederna.
- ▶ Håll alltid ventilationsspringorna fria. Risk för brännskador om ventilationsspringorna är övertäckta!
- ▶ Släpp inte handtaget när du har fört ned såghuvudet. För alltid tillbaka såghuvudet till den övre positionen på ett kontrollerat sätt. Om såghuvudet rör sig på ett okontrollerat sätt finns det risk för personskador.
- ▶ Använd inte slöa, spruckna, böjda eller skadade sågblad. Sågblad som har slöa eller felriktade tänder ger ökad friktion, klämmer åt sågbladet och kan orsaka kast.
- ▶ Ta aldrig bort snittrester, träspån e.d. från snittområdet medan sågen är igång. Koppla alltid först från sågen och för tillbaka såghuvudet till den övre positionen.
- ▶ Använd endast sågblad som är godkända för produkten, som motsvarar specifikationerna i den tekniska informationen och/eller på produkten (gällande diameter, varvtal, tjocklek, axelhål, material etc.) och som är testade och godkända i enlighet med standarden EN 847-1.
- ▶ Använd endast sågblad vars tillåtna varvtal är minst så högt som det maximala varvtalet som anges på produkten.
- ▶ Efter arbetet ska du inte ta i sågbladet förrän det har svalnat. Sågbladet blir mycket varmt under arbetet.
- ▶ Använd alltid skyddshandskar när du byter sågblad.
- ▶ Kontrollera alltid att skyddet stängs ordentligt innan du använder sågen. Flytta såghuvudet nedåt och för kontrollerat tillbaka det till det övre läget. Använd inte sågen om skyddet inte kan röra sig fritt och inte stängs med en gång när såghuvudet höjs. Kläm eller bind aldrig fast den undre skyddskåpan i öppen position.
- ▶ Använd aldrig produkten utan skyddskåpa.
- ▶ Låt alltid verktyget gå med låg hastighet vid kapning av aluminiumprofiler.
- ▶ Använd och fäst alltid extrastöden som monterats på produkten.
- ▶ Ta endast tag i produkten på avsedda ställen (urtagen och transporthandtaget) när du transporterar den. Bär aldrig elverktyget i glidarmen eller i handtaget. → Sidan 66
- ▶ Undvik överhettning av sågtändernas spetsar. Vid sågning i plast, se till att materialet inte smälter.



2.4 Omsorgsfull hantering och användning av batterier

- ▶ **Observera följande säkerhetsanvisningar för säker hantering och användning av litiumjonbatterier.** Om åtgärderna inte följs kan det leda till hudirritation, svåra frätskador, kemiska brännskador, bränder och/eller explosioner.
- ▶ Använd endast batterier som är fullt funktionsdugliga.
- ▶ Hantera batterierna varsamt för att undvika skador och läckage av hälsovådliga syror!
- ▶ Batterier får absolut inte modifieras eller manipuleras!
- ▶ Batterier får inte tas isär, klämmas, upphettas till mer än 80 °C (176 °F) eller brännas upp.
- ▶ Använd inte och ladda inte batterier som har utsatts för slag eller på annat sätt är skadade. Kontrollera batterierna regelbundet för att se om de uppvisar tecken på skador.
- ▶ Använd aldrig återvunna eller reparerade batterier.
- ▶ Använd aldrig batteriet eller ett batteridrivet elverktyg som slagverktyg.
- ▶ Utsätt aldrig batterierna för direkt solljus, förhöjda temperaturer, gnistor eller öppna lågor. Detta kan leda till explosioner.
- ▶ Rör inte batteripolerna med dina fingrar, verktyg, smycken eller andra elektriskt ledande föremål av metall. Detta kan skada batteriet och orsaka såväl materiella skador som personskadorna.
- ▶ Håll batterierna borta från regn, väta och vätskor. Fukt som tränger sig in kan orsaka kortslutningar, elstötar, brännskador och explosioner.
- ▶ Använd endast batteriladdare och elverktyg som är avsedda för denna typ av batteri. Läs också igenom uppgifterna i motsvarande bruksanvisning.
- ▶ Använd inte och förvara inte batteriet i explosionsfarliga miljöer.
- ▶ Om batteriet är så hett att du inte kan ta i det kan det vara defekt. Ställ batteriet på en plats där inget riskerar att fatta eld och på betryggande avstånd från brännbart material. Låt batteriet svalna. Om batteriet efter en timme fortfarande är så hett att det inte går att ta i är det defekt. Kontakta **Hilti-service** eller läs dokumentet "Säkerhetsanvisningar vid användning av **Hilti** litiumjonbatterier".

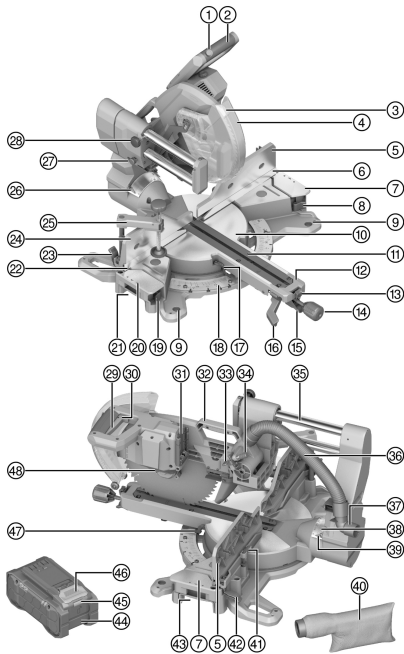


Följ de särskilda föreskrifter som gäller för transport, förvaring och användning av litiumjonbatterier. Läs säkerhetsanvisningarna för användning av **Hilti** litiumjonbatterier som du hittar genom att skanna QR-koden i slutet av denna bruksanvisning.



3 Beskrivning

3.1 Produktöversikt



- ① Tillkopplingspärr
- ② Handtag
- ③ LED-snittindikering
- ④ Skyddskåpa
- ⑤ Övre geringsanslag till höger
- ⑥ Nedre geringsanslag till höger
- ⑦ Höger extrastöd
- ⑧ Frigöringsspak till höger extrastöd
- ⑨ Fästhål
- ⑩ Vridbord
- ⑪ Spårplattor
- ⑫ Arm till vridbord
- ⑬ Låsposition för vridbordets frigöringsspak
- ⑭ Låsknopp till vridbord
- ⑮ Vridbordets frigöringsspak
- ⑯ Frigöringsspak för vertikal gervinkel
- ⑰ Visare för horisontell gervinkel, vänster
- ⑱ Skala för horisontell gervinkel
- ⑲ Frigöringsspak till vänster extrastöd
- ⑳ Vänster extrastöd
- ㉑ Vänster urtag
- ㉒ Nedre geringsanslag till vänster
- ㉓ Frigöringsspak till övre geringsanslag till vänster
- ㉔ Övre geringsanslag till vänster
- ㉕ Skruvting
- ㉖ Visare för vertikal gervinkel, vänster
- ㉗ Transportsäkring
- ㉘ Inställningsskruv till utdrag
- ㉙ Strömbrytare
- ㉚ Hål för hänglås
- ㉛ Gränssnitt för batteri
- ㉜ Bärhandtag
- ㉝ Djupanslagets anslagsplatta
- ㉞ Djupmått
- ㉟ Utdrag/glidstång
- ㊱ Anslutningslang till dammsug
- ㊲ Utsugsanslutning
- ㊳ Skala för vertikal gervinkel
- ㊴ Visare för vertikal gervinkel, höger
- ㊵ Dammsugarpåse
- ㊶ Insexnyckel
- ㊷ Frigöringsspak för övre geringsanslag till höger
- ㊸ Höger urtag
- ㊹ Batteri
- ㊺ Statusindikering för batteri
- ㊻ Batteriets upplåsningsknapp
- ㊼ Visare för horisontell gervinkel, höger
- ㊽ Spindellåsning



3.2 Avsedd användning

Den beskrivna produkten är en batteridriven kap- och geringssåg. Den är avsedd för sågning av trä, träprodukter, plast och aluminiumprofiler. Produkten kan användas till att genomföra tvärkapningar, diagonalsnitt och geringssnitt.

Produkten är utrustad med en anslutningsstos för spånutsug som passar till de vanligaste dammsugarslangarna. En lämplig adapter kan behövas för att ansluta dammavskiljarslangen till sågen.

- Använd endast sågen med den medföljande spånsäcken eller med en lämplig stoftavskiljare.
- Använd endast sågblad som är godkända för produkten och som motsvarar specifikationen i den tekniska informationen (t.ex. diameter, varvtal, tjocklek, material, m.m.). Slip- och kapskivor samt sågblad av höglegerat snabbstål (HSS-stål) är inte tillåtna.
- Såga aldrig i magnesium med produkten.
- Använd endast **Hilti** Nuron-litiumjonbatterier av typen B 22 med den här produkten. För optimal effekt rekommenderar **Hilti** att batterierna som anges i tabellen i slutet av bruksanvisningen används för denna produkt.
- Använd endast **Hilti**-batteriladdare från de typerier som anges i tabellen i slutet av bruksanvisningen för dessa batterier.

3.3 Leveransinnehåll

Kap- och geringssåg, sågblad, spännfläns, stöbricka, spännskruv, insexnyckel, skruvtving, låsknopp för vridbord, bruksanvisning

Dessutom finns fler systemprodukter för din produkt både i närmaste **Hilti Store** och på nätet: www.hilti.group

3.4 Indikering för litiumjonbatteriet

Hilti Nuron litiumjonbatterier kan visa laddningsstatus, felmeddelanden och batteristatus.

3.4.1 Visning av laddningsstatus och felmeddelanden

VARNING

Risk för personskada på grund av nedfallande batterier.

- ▶ När du har satt i batteriet och tryckt ner frigöringsknappen, kontrollera att batteriet har hakat i korrekt i verktyget igen.

För att visa följande indikeringar, tryck ner batteriets frigöringsknapp.

Laddningsstatus och eventuella störningar visas så länge den anslutna produkten är påslagen.

Status	Betydelse
Fyra (4) lysdioder lyser med fast grönt sken	Laddningsstatus: 100 % till 71 %
Tre (3) lysdioder lyser med fast grönt sken	Laddningsstatus: 70 % till 51 %
Två (2) lysdioder lyser med fast grönt sken	Laddningsstatus: 50 % till 26 %
En (1) lysdiod lyser med fast grönt sken	Laddningsstatus: 25 % till 10 %
En (1) lysdiod blinkar långsamt grönt	Laddningsstatus: < 10 %
En (1) lysdiod blinkar snabbt grönt	Litiumjonbatteriet är helt urladdat. Ladda batteriet. Kontakta Hilti-service om lysdioden fortfarande blinkar snabbt efter att batteriet har laddats.
En (1) lysdiod blinkar snabbt gult	Litiumjonbatteriet eller den anslutna produkten är överbelastad, för varm, för kall eller så föreligger ett annat fel. Ställ in produkten och batteriet på den rekommenderade arbetstemperaturen och undvik att överbelasta produkten vid användning. Kontakta Hilti-service om meddelandet kvarstår.
En (1) lysdiod lyser gult	Litiumjonbatteriet och produkten är inte kompatibla med varandra. Kontakta Hilti-service .
En (1) lysdiod blinkar snabbt rött	Litiumjonbatteriet är spärrat och kan inte användas. Kontakta Hilti-service .



3.4.2 Visning av batteristatus

För att kontrollera batteriets status, håll frigöringsknappen nedtryckt i minst tre sekunder. Systemet registrerar inga potentiella funktionsfel i batteriet till följd av missbruk som t.ex. fall, punkteringskador, externa värmeskador osv.

Status	Betydelse
Alla lysdioder lyser i turordning och därefter lyser en (1) lysdiod grönt.	Batteriet kan fortfarande användas.
Alla lysdioder lyser i turordning och därefter blinkar en (1) lysdiod snabbt gult.	Begäran om batteristatus kunde inte slutföras. Upprepa proceduren eller kontakta Hilti-service .
Alla lysdioder lyser i turordning och därefter lyser en (1) lysdiod med fast rött sken.	Om en ansluten produkt kan fortsätta användas är den kvarvarande batterikapaciteten under 50 %. Om en ansluten produkt inte kan användas längre har batteriet nått slutet på sin livslängd och måste bytas ut. Kontakta Hilti-service .

4 Teknisk information

4.1 Produktgenskaper

Märkspänning	21,6 V	
Uppmätt tomgångsvarvtal	4 300 varv/min	
Sågklingans diameter	305 mm	
Stambladstjocklek	0,5 mm ... 1,5 mm	
Sågklingans axelhål	30 mm	
Snittbredd	3,2 mm	
Maximal horisontell gervinkel	Höger	≤ 60°
	Vänster	≤ 52°
Maximal vertikal gervinkel	Höger	≤ 48°
	Vänster	≤ 48°
Maximal skärkapacitet oberoende av andra mått eller gervinkel	Höjd	≤ 100 mm
	Bredd	≤ 360 mm
Vikt	25,6 kg (enligt EPTA-Procedure 01 utan batteri)	
Omgivningstemperatur vid drift	-17 °C ... 60 °C	
Förvaringstemperatur	-20 °C ... 70 °C	

4.2 Batteri

Batteriets driftspänning	21,6 V
Batteriets vikt	Se slutet av denna bruksanvisning
Omgivningstemperatur vid drift	-17 °C ... 60 °C
Förvaringstemperatur	-20 °C ... 40 °C
Batteritemperatur när laddningen påbörjas	-10 °C ... 45 °C

4.3 Bullerinformation och vibrationsvärden enligt EN 62841

De ljudtrycks- och vibrationsvärden som anges i anvisningarna har uppmätts med en standardiserad mätmetod och kan användas för att jämföra olika elverktyg med varandra. De kan också användas för att göra en preliminär uppskattning av exponeringarna.

De angivna värdena representerar elverktygets huvudsakliga användning. När elverktyget begagnas inom andra områden, med andra insatsverktyg eller med otillräckligt underhåll, kan mätning ge avvikande värden. Det innebär att exponeringen under den totala arbetstiden kan ökas betydligt.



För att uppskattningen av exponeringarna ska bli exakt bör man också räkna in de tider då verktyget är avstängt eller då det är påslaget men inte används. Det kan betydligt minska exponeringen under den totala arbetstiden.

Vidta även andra säkerhetsåtgärder för att skydda användaren mot effekterna av buller och vibrationer, exempelvis: underhåll av elverktyg och insatsverktyg, möjlighet att hålla händerna varma, välorganiserade arbetsförlopp.

Bullerinformation

Ljudeffektnivå (L_{WA})	101 dB(A)
Ljudtrycksnivå (L_{pA})	90 dB(A)
Osäkerhet (för L_{WA} och L_{pA})	3 dB(A)

Sammanlagt vibrationsvärde

Vibrationsemissionsvärde	B 22-55	$\leq 2,5 \text{ m/s}^2$
	B 22-255	$\leq 2,5 \text{ m/s}^2$
Osäkerhet		$1,5 \text{ m/s}^2$

4.4 Maximal skärkapacitet

De angivna måtten för höjd och bredd står i förhållande till varandra. Värderna för högsta möjliga höjd och bredd hittar du i kapitlet Produkttegenskaper. → Sidan 55

Horisontell gervinkel	Vertikal gervinkel	Höjd x bredd
0°	0°	100 mm x 355 mm
	22,5° åt höger	72 mm x 355 mm
	22,5° åt vänster	90 mm x 355 mm
	30° åt höger	60 mm x 355 mm
	30° åt vänster	78 mm x 355 mm
	45° åt höger	40 mm x 355 mm
	45° åt vänster	65 mm x 340 mm
	48° åt höger	30 mm x 355 mm
	48° åt vänster	50 mm x 355 mm
45° åt höger 45° åt vänster	0°	100 mm x 250 mm
	45° åt höger	40 mm x 250 mm
	45° åt vänster	62 mm x 250 mm
52° åt vänster	0°	100 mm x 200 mm
	45° åt höger	40 mm x 220 mm
	45° åt vänster	62 mm x 220 mm
60° åt höger	0°	100 mm x 176 mm
	45° åt höger	40 mm x 178 mm
	45° åt vänster	30 mm x 190 mm

5 Förberedelser för arbete

VARNING

Risk för personskada till följd av oavsiktlig start!

- ▶ Kontrollera att produkten är avstängd innan du sätter i batteriet.
- ▶ Ta alltid bort batteriet innan du gör några inställningar på verktyget eller byter tillbehörsdelar.

Observera de säkerhets- och varningsanvisningar som du hittar i dokumentationen och på själva enheten.

5.1 Montera låsknopen

Vridbordets låsknopp är inte monterad vid leverans. Den måste monteras innan sågen används.

- ▶ Skruva in låsknopen i vridbordets arm.



5.2 Laddning av batteri

1. Läs batteriladdarens bruksanvisning innan du laddar batteriet.
2. Se till att batteriets och batteriladdarens sladdar är rena och torra.
3. Ladda batteriet i en godkänd batteriladdare. → Sidan 54

5.3 Sätta i batteriet

VARNING

Risk för personskada på grund av kortslutning eller nedfallande batteri!

- ▶ Kontrollera innan du sätter in batteriet i produkten att både batteriets och produktens kontakter är fria från smuts och andra hinder.
- ▶ Säkerställ att batteriet alltid hakar i ordentligt.

1. Ladda batterierna helt innan de används första gången.
2. Skjut in batteriet i produkten tills det hakar i med ett klick.
3. Kontrollera att batteriet sitter stadigt.

5.4 Ta ut batteriet

1. Tryck in upplåsningsknappen till batteriet.
2. Dra ut batteriet ur produkten.

5.5 Montera produkten

Produkten måste fästas på en plan och stabil yta.

1. Ställ produkten på en plan och stabil yta.
2. Skruva fast produkten på arbetsytan genom fästhålen. Använd lämpliga skruvar.
3. Spänn alternativt fast enhetens fötter i arbetsytan med hjälp av vanliga skruvtingar.



Hilti har också ett understativ som tillval, på vilket produkten kan monteras för mobil användning.

5.6 Försätta produkten i arbetsposition

1. Tryck såghuvudet lätt nedåt och dra ut transportsäkring.
2. För såghuvudet uppåt på ett kontrollerat sätt.

5.7 Dammutsug

5.7.1 Montering av dammsugarpåse

Dammsugarpåsen möjliggör ett rent arbete och samlar upp en stor andel av dammet som uppstår.

- ▶ Sätt dammsugarpåsen på utsugsanslutningen.

5.7.2 Ansluta stoftavskiljaren

Stoftavskiljaren måste vara lämplig för materialet som ska bearbetas. Använd en lämplig specialdammsugare när du suger upp hälsovådligt, cancerframkallande eller torrt damm.

- ▶ Anslut dammsugarslangen till utsugsanslutningen.

5.8 Montering av sågblad

Kontrollera att sågbladet som ska spännas uppfyller de tekniska kraven och att det är slipat. Ett vasst sågblad är nödvändigt för ett felfritt snitt.

1. Rengör stödbrickan och spännflänsen.
2. Montera stödbrickan med korrekt orientering på drivspindeln **(1)**.
3. Öppna pendelskyddskåpan **(2)**.
4. Fäst det nya sågbladet.



Observera rotationsriktningspielen **(3)** på sågbladet och på produkten. De ska peka åt samma håll.

5. Trä på den yttre spännflänsen vänd åt rätt håll **(4)**.



6. Skruva dit spännskruven.
7. Sätt in insexnyckeln i sågbladets spännskruv.
8. Tryck och håll in spindellåsningen (5).
9. Dra åt spännskruven med insexnyckeln (6).
10. Kontrollera att sågbladet sitter fast ordentligt.
11. Kontrollera att sågbladet kan rotera fritt. Sågbladet får inte vid någon inställning (horisontell och/eller vertikal gervinkel) komma i kontakt med andra komponenter på sågen.
12. Sätt in insexnyckeln i det avsedda fästet.

5.9 Demontering av sågklinga 4

VARNING

Risk för bränn- och skärskador om du vidrör sågklingan, spännskruven eller spännflänsen Det kan leda till brännskador och skärskador.

- ▶ Du bör använda skyddshandskar när du byter tillbehör.

1. Tryck och håll in spindellåsningen (1).
2. Lossa spännskruven med insexnyckeln (2).
3. Ta bort spännskruven och spännflänsen (3).
4. Öppna pendelskyddsskåpan (4) och ta bort sågklingan (5).



Stödbrickan kan vid behov avlägsnas för rengöring.

6 Användning

Observera de säkerhets- och varningsanvisningar som du hittar i dokumentationen och på själva enheten.

6.1 Låsa/lossa utdraget 5

Utdraget kan låsas på valfritt ställe.

1. Lås utdraget genom att vrida inställningsskruven (1) medurs.
 - ▶ Inställningsskruven klämmer åt glidstången och glidrörelsen förhindras.
2. Lossa utdraget genom att vrida inställningsskruven (1) moturs.

6.2 Inställning av skärdjup med djupmått 6

Använd djupanslaget om du till exempel vill såga ett spår.

1. Vrid djupanslagets anslagsplatta (1) så att djupanslaget inte går igenom öppningen när såghuvudet sänks.
2. Ställ in önskat skärdjup med skruven med räfflat huvud (2).
3. Om du inte längre vill begränsa skärdjupet svänger du anslagsplattan (1) så att djupanslaget går igenom öppningen när såghuvudet sänks.

6.3 Förlänga sågbordet 7

VARNING

Risk för personskada på grund av långa arbetsstycken. Långa arbetsstycken kan tippa okontrollerat under snittet, lyfta skyddsskåpan, klämma fast sågklingan och orsaka bakslag.

- ▶ Stötta långa arbetsstycken med extra sågbockar eller liknande underkonstruktioner.

Sågbordets bäryta kan göras större med hjälp av extrastöden till höger och/eller vänster.

1. Öppna frigöringsspaken till extrastödet (1).
2. Dra ut extrastödet (2).
3. Lås frigöringsspaken till extrastödet (1).
4. Om det behövs upprepar du stegen för extrastödet på andra sidan.



6.4 Ställa in de övre geringsanslagen 8, 9

Beroende på inställning av horisontell och/eller vertikal gervinkel måste de övre geringsanslagen dras utåt eller tas bort helt.

1. Öppna frigöringsspaken (1) till det övre geringsanslaget till vänster eller höger.
2. Dra det övre geringsanslaget (2) så långt utåt som det behövs eller ta bort geringsanslaget.
3. Stäng frigöringsspaken (1).
 - ▶ Montera de övre geringsanslagen i den innersta positionen igen när du utför raka snitt.
4. Om det övre geringsanslaget tas av kan det förvaras säkert under sågningen genom att fästas på extrastödets glidstänger.

6.5 Ställa in horisontell gervinkel 10

VARNING

Risk för personskada om vridbordet inte är låst. Ett vridbord som inte är låst kan vrida sig under snittet, göra så att arbetsstycket hamnar snett och på så sätt leda till bakslag.

- ▶ Dra alltid åt vridbordets låsknopp innan du genomför ett snitt.

Villkor: Standardgervinkel

För att horisontella gervinklar som används ofta ska kunna ställas in snabbt och exakt har den horisontella gervinkelskalan färdiga skåror. I de här skårorna kan vridbordet hakas fast.

Låspositioner för horisontell gervinkel

Vänster	Medel	Höger
45°; 31,6°; 22,5°; 15°	0°	15°; 22,5°; 31,6°; 45°; 60°

- ▶ Lossa eventuellt vridbordets låsknopp (2).
- ▶ Dra vridbordets frigöringsspak uppåt och håll kvar den där (1) och vrid sedan vridbordet tills det befinner sig strax före önskad horisontell gervinkel (3).
- ▶ Släpp vridbordets frigöringsspak och fortsätt att vrida vridbordet till önskad horisontell gervinkel tills spärren hakar i.
- ▶ Dra åt vridbordets låsknopp (2).

Villkor: Valfri horisontell gervinkel

Utöver standardgervinklarna kan den horisontella gervinkeln även ställas in på valfritt värde.

- ▶ Lossa eventuellt vridbordets låsknopp (2).
- ▶ Dra vridbordets frigöringsspak (1) uppåt och haka fast den (4).
- ▶ Ställ in vridbordet på önskad horisontell gervinkel (3).
- ▶ Dra åt vridbordets låsknopp (2).

6.6 Ställa in vertikal gervinkel 11

VARNING

Risk för personskada om lutningen inte är låst. Om den vertikala gervinkelns inställning inte är låst kan såghuvudet tippa under kapning och orsaka kast.

- ▶ Tryck alltid ned frigöringsspaken för vertikal gervinkel helt efter genomförd inställning för att låsa lutningen.

FÖRSIKTIGHET

Risk för personskada på grund av kollision med övre geringsanslag. När en vertikal gervinkel har ställts in kan sågbladet kollidera med de övre geringsanslagen och orsaka skada eller kast.

- ▶ Kontrollera alltid efter inställning av vertikal gervinkel att sågbladet kan rotera fritt, och placera de övre geringsanslagen så långt ut som det behövs.

För att vertikala gervinklar som används ofta ska kunna ställas in snabbt och exakt går det att haka fast såghuvudet i ett flertal positioner.



Låspositioner för vertikal gervinkel

Vänster	Medel	Höger
45°; 33,9°; 22,5°	0°	22,5°; 33,9°; 45°

- ▶ Dra frigöringsspaken för vertikal gerinställning uppåt för att lossa den **(2)**.
- ▶ Dra frigöringsspaken för vertikal gerinställning till det översta läget så att såghuvudet kan röra sig fritt **(3)**.
- ▶ Släpp frigöringsspaken och luta såghuvudet tills spärren hakar i.
 - ▶ Såghuvudet kan hakas fast i alla positioner som nämns ovan.
- ▶ Tryck sedan ned frigöringsspaken helt **(1)** för att låsa fast såghuvudet i den inställda positionen.
- ▶ För att ställa in valfri vertikal gervinkel håller du frigöringsspaken för vertikal gerinställning i det översta läget **(3)** tills den vertikala gervinkeln är i önskat läge.
- ▶ Tryck sedan ned frigöringsspaken helt **(1)** för att låsa fast såghuvudet i den inställda positionen.
- ▶ Ställ in de övre geringsanslagen så att de inte kolliderar med sågbladet. → Sidan 59

6.7 Aktivera snittlinjeindikeringen

Sågen är försedd med en snittlinjeindikering. En lysdiod i såghuvudet lyser upp arbetsområdet och skapar en skugga från sågbladet, vilket gör att snittlinjen visas exakt.

1. Aktivera strömbrytaren utan att trycka på tillkopplingsspärren.
 - ▶ Lysdioden aktiveras.
2. För såghuvudet nedåt.
 - ▶ Sågbladets skugga visas på arbetsstycket och visar snittlinjen.
3. Anpassa vid behov arbetsstycket eller inställningen av den vertikala och/eller horisontella gervinkeln efter snittlinjen.

6.8 Placera och fästa arbetsstycket **12**, **13**, **14**

VARNING

Risk för personskada på grund av skevt virke. Arbetsstycken av trä som är skevt eller har slagit sig kan fastna på sågbladet och orsaka kast.

- ▶ Positionera alltid skevt virke med den utåtvälvda sidan mot geringsanslaget. Positionera aldrig arbetsstycket så att det uppstår ett mellanrum mellan arbetsstycket och geringsanslagen.

VARNING

Risk för personskada på grund av felaktig positionering av arbetsstycket. Ett felaktigt placerat arbetsstycke kan fastna på sågbladet och orsaka kast.

- ▶ Placera alltid arbetsstycket med största möjliga kontakt mot vridbordet, bärytan och geringsanslagen.

VARNING

Risk för personskada om arbetsstycket inte har säkrats! Om arbetsstycket inte säkras ordentligt mot geringsanslaget kan arbetsstycket flytta sig under kapningen och eventuellt orsaka skador på sågbladet. Det kan leda till att arbetsstycket slungas ut och att du förlorar kontrollen över utrustningen.

- ▶ Arbetsstycket måste säkras ordentligt mot vridbordet och geringsanslaget med skruvtving vid alla slags åtgärder.

VARNING

Risk för personskada om sågens komponenter kommer i kontakt med skruvtvingen! Sågklingan kan skadas om den vidrör skruvtvingen. Skyddsanordningarna kan hindras av skruvtvingen, och deras funktion kan försämrats. Skruvtvingen kan begränsa såghuvudets rörelse, vilket kan leda till bakslag.

- ▶ Försök att utföra den förväntade rörelsen med sågen fränkopplad. Kontrollera att inga av sågens komponenter kommer i kontakt med skruvtvingen.
- ▶ Flytta vid behov skruvtvingen till ett annat ställe på sågen.
- ▶ Tryck på skruvtvingens **(2)** frigöringsknapp och dra gängstången uppåt fram till anslaget.
- ▶ Sätt in skruvtvingen i en av de avsedda öppningarna **(1)**.
- ▶ Tryck arbetsstycket hårt mot det nedre geringsanslaget.
- ▶ Tryck på frigöringsknappen för skruvtvingen för att snabbt anpassa gängstången efter arbetsstycket **(2)**.



- ▶ Tippa skruvvingen bakåt, åt motsatt håll mot gängstångens position **(3)**. Dra sedan åt gängstången hårt genom att vrida den medurs och fixera på så sätt arbetsstycket **(4)**.
 - ▶ Lossa arbetsstycket genom att vrida gängstången moturs. Tryck sedan på skruvvingens frigöringsknapp och dra gängstången uppåt fram till anslaget.

6.9 Ställa in varvtal

- ▶ Ställ in önskat varvtal med tumhjulet för varvtal.

6.10 Slå på och stänga av produkten

VARNING

Risk för personskada på grund av bakslag.

- ▶ Koppla bara till sågen om sågklingan inte vidrör arbetsstycket.

VARNING

Risk för personskada på grund av bakslag.

- ▶ Efter frånkopplingen låter du såghuvudet vara kvar i den nedersta positionen tills sågklingan har stannat.

1. Håll tillkopplingsspärr intryckt.
2. Tryck och håll in strömbrytaren.
 - ▶ Sågen går.
3. Koppla från sågen genom att släppa strömbrytaren.

6.11 Sågning

VARNING

Risk för personskada på grund av felaktig placering av händer och armar. Om armar och händer hålls i fel position kan sågbladet vid drift komma i kontakt med dem och orsaka svåra personskador.

- ▶ Korska aldrig armarna vid sågning. Korska aldrig snittlinjen med armarna eller händerna.
- ▶ Håll armar och händer utanför riskområdet till höger och vänster om sågbladet.

Korrekt hållning och hantering vid arbete med geringssågen gör kapningen enklare, exaktare och säkrare. Stå med båda fötterna stadigt på underlaget så att du har bra balans. Följ med geringsarmen när du flyttar den i sidled så att du står lite till höger eller vänster om sågbladet.

Se till att hålla riskområdet fritt: 230 mm till vänster om sågbladet och 270 mm till höger om sågbladet. Håll händer, armar och andra kroppsdelar utanför detta riskområde.

Håll kvar händerna i position tills strömbrytaren har släppts och sågbladet har stannat fullständigt.



Tryck såghuvudet nedåt långsamt och kontrollerat för att genomföra snittet. Om du trycker för hårt eller utövar kraft från sidan i förhållande till snittlinjen kan sågbladet börja vibrera, vilket kan leda till att det kan bildas ytterligare sågspår i arbetsstycket och att snittnoggrannheten försämrans.

6.11.1 Såga utan skjutrörelse (kapa)

VARNING

Risk för personskada om utdraget inte är låst. Om utdraget inte är låst kan det leda till en oväntad glidrörelse hos såghuvudet och orsaka bakslag.

- ▶ Lås alltid utdraget vid kapsnitt.

1. Skjut såghuvudet bakåt fram till anslaget (bort från dig).
2. Lås utdraget. → Sidan 58
3. Ställ in djupanslagets anslagsplatta så att djupanslaget går igenom öppningen när såghuvudet sänks ned. → Sidan 58
4. Anpassa alla inställningar (vinklar, geringsanslag, bärytor) efter det snitt som ska utföras.
5. Spänn fast materialet ordentligt. → Sidan 60
6. Koppla till sågen. → Sidan 61
7. För såghuvudet långsamt nedåt och såga igenom arbetsstycket med jämn matning.
8. Koppla från sågen och vänta tills sågbladet har stannat.



9. För tillbaka såghuvudet till den övre positionen.

6.11.2 Såga med skjutrörelse

VARNING

Kast på grund av felaktig rörelse hos såghuvudet. Felaktig rörelse hos såghuvudet vid ett snitt med skjutrörelse kan orsaka kast.

- ▶ Dra alltid ut såghuvudet helt före snittet, sänk sedan ned det och skjut det därefter i riktning mot geringsanslagen.
- ▶ Dra aldrig såghuvudet mot dig när sågbladet redan befinner sig i arbetsstycket.



Vid kapning med skjutrörelse skjuter du såghuvudet fram till geringsanslaget, långsamt och utan att stanna. Om skjutrörelsen avbryts under snittet lämnar sågbladet märken på arbetsstycket och snittnoggrannheten försämras.

1. Lossa utdraget om det behövs. → Sidan 58
2. Ställ in djupanslagets anslagsplatta så att djupanslaget går igenom öppningen när såghuvudet sänks ned. → Sidan 58
3. Anpassa alla inställningar (vinklar, geringsanslag, bärytor) efter det snitt som ska utföras.
4. Spänn fast materialet ordentligt. → Sidan 60
5. Dra såghuvudet mot dig helt.
6. Koppla till sågen. → Sidan 61
7. För såghuvudet långsamt nedåt.
8. Håll såghuvudet i den nedersta positionen och skjut det långsamt bakåt (bort från dig). Såga igenom arbetsstycket med jämn matning.
9. Koppla från sågen och vänta tills sågbladet har stannat.
10. För tillbaka såghuvudet till den övre positionen.

6.11.3 Såga spår

1. Ställ in djupanslaget till önskat skärddjup. → Sidan 58
2. Genomför ett snitt med skjutrörelse. → Sidan 62

6.11.4 Såga profillister

VARNING

Risk för personskada på grund felaktig fästning av arbetsstycket. Ett felaktigt fäst arbetsstycke kan fastna på sågbladet och orsaka kast.

- ▶ Se till att profillistan är säkrad mot förskjutning när du ställer in den mot geringsanslaget. → Sidan 60

Profillister kan sågas på två olika sätt:

- inställda mot geringsanslaget
- liggande platt på sågbordet
- ▶ Genomför snittet med eller utan skjutrörelse, beroende på profillisternas bredd.
- ▶ Testa först de inställda gervinklarna (horisontella och/eller vertikala) på en bit spillvirke.

7 Skötsel och underhåll

VARNING

Risk för personskada vid anslutet batteri !

- ▶ Ta alltid bort batteriet innan skötsel och underhåll utförs!

Skötsel av produkten

- Ta försiktigt bort smuts som sitter fast.
- Rengör ventilationsspringorna försiktigt med en torr och mjuk borste.
- Rengör höljet bara med en lätt fuktad trasa. Använd inte rengöringsmedel med silikon, eftersom det kan skada plastdelarna.
- Använd en ren och torr trasa för att rengöra produktens kontakter.



- Rengör utdragets och extrastödens glidstänger regelbundet. Applicera några droppar olja på alla glidstänger efter varje rengöring.
- Rengör de övre geringsanslagens bärytor regelbundet. Fetta in bärytorna vid behov.

Skötsel av litiumjonbatterier

- Använd aldrig ett batteri med tilltäppta ventilationsspringor. Rengör ventilationsspringorna försiktigt med en torr och mjuk borste.
- Undvik att utsätta batteriet för onödigt mycket damm eller smuts. Utsätt aldrig batteriet för hög fukt (t.ex. genom att sänka ner det i vatten eller låta det stå i regnet).
- Om ett batteri har blivit genombliött ska det hanteras som ett skadat batteri. Förvara det i en brandsäker behållare och kontakta **Hilti**-service.
- Håll batteriet fritt från främmande olja och fett. Låt inte onödigt mycket damm eller smuts ansamlas på batteriet. Rengör batteriet med en mjuk borste eller en ren och torr trasa. Använd inte rengöringsmedel med silikon, eftersom det kan skada plastdelarna.
Rör inte vid batteriets kontakter och ta inte bort fett på kontakterna som har applicerats i fabriken.
- Rengör höljet bara med en lätt fuktad trasa. Använd inte rengöringsmedel med silikon, eftersom det kan skada plastdelarna.

Underhåll

- Kontrollera regelbundet att inga synliga delar har skadats och att alla reglage fungerar som de ska.
- Använd inte produkten om den uppvisar skador eller funktionsstörningar. Låt **Hilti** Service reparera produkten omgående.
- Efter skötsel- och underhållsarbeten ska alla skyddsanordningar monteras igen och kontrolleras.



Använd endast originalreservdelar och förbrukningsmaterial för säker drift. Godkända reservdelar, förbrukningsmaterial och tillbehör till din produkt från **Hilti** hittar du i närmaste **Hilti Store** eller på: www.hilti.group

7.1 Rengöring av skyddsanordning

1. Demontera sågklingan. → Sidan 58
2. Rengör skydden försiktigt med en torr borste.
3. Ta bort avlagringar och sågspån inuti skyddsanordningarna med något lämpligt verktyg.
4. Montera sågbladet. → Sidan 57

7.2 Rengöra utsugsadaptern och anslutningsslangen **17**

1. Ta bort dammsugarpåsen eller den anslutna dammsugarslangen till stoftavskiljaren.
2. Lossa fästskruven till anslutningsslangen på såghuvudet **(1)**.
3. Dra loss anslutningsslangen från såghuvudet **(2)** och utsugsadaptern.
4. Töm anslutningsslangen och rengör den med en torr borste.
5. Rengör spånkanalen på såghuvudet och utsugsadaptern med en torr borste.
6. Sätt tillbaka anslutningsslangen på utsugsadaptern och såghuvudet.
7. Dra åt fästskruven till anslutningsslangen på såghuvudet.
8. Montera dammsugarpåsen eller anslut stoftavskiljaren igen. → Sidan 57

7.3 Tömma dammsugarpåsen **18**

1. Dra loss dammsugarpåsen från insugningsadaptern.
2. Öppna dragkedjan till dammsugarpåsen och avfallshantera innehållet på rätt sätt.
3. Stäng dragkedjan till dammsugarpåsen.
4. Montera dammsugarpåsen på utsugsadaptern igen. → Sidan 57

7.4 Kontrollera och justera inställningar och indikeringar

Kap- och geringssågen har ställts in och justerats noggrant på fabriken. Trots detta kan det efter intensiv användning eller hårdhänt behandling vara nödvändigt att kontrollera sågens inställningar och indikeringar och justera dem om det behövs.

Kontrollen och justeringen av sågen kräver erfarenhet och specialverktyg.

Hilti rekommenderar att du endast låter **Hilti**-service justera sågen.





Vidrör aldrig sågtändernas spetsar med vinkelmåttet vid kontroll- och inställningsarbeten. Det kan resultera i en felaktig mätning. Vinkelmåttet måste alltid överensstämma med stambladet.

7.4.1 Kontrollera vertikal gervinkel

1. Skjut såghuvudet bakåt fram till anslaget (bort från dig).
2. Ställ in djupanslagets anslagsplatta så att djupanslaget går igenom öppningen när såghuvudet sänks ned. → Sidan 58
3. Ställ in den horisontella gervinkeln på 0°.
4. Tryck såghuvudet nedåt och skjut in transportsäkringens för att låsa såghuvudet.
5. Ställ in den vertikala gervinkeln på 0°.
6. Ställ in ett vinkelmått på 90°.
7. Ställ vinkelmåttet lodrätt mot och jäms med sågbordet.
8. För vinkelmåttet mot sågbladet.
 - ▶ Vinkelmåttet måste vara jäms med sågbladet över hela linjen.
9. Ställ in den vertikala gervinkeln på 45° till höger.
10. Ställ in vinkelmåttet till 45° (alternativt 135° för mätning från vänster sida).
11. Ställ vinkelmåttet lodrätt mot och jäms med sågbordet.
12. För vinkelmåttet mot sågbladet.
 - ▶ Vinkelmåttet måste vara jäms med sågbladet över hela linjen.
13. Upprepa stegen för den vertikala gervinkeln 45° till vänster.

Resultat 1 / 2

Vinkelmåttet är jäms med sågbladet över hela linjen vid alla tre mätningarna.

- ▶ Sågen är rätt justerad.

Resultat 2 / 2

Vinkelmåttet och sågbladet är inte jäms med varandra vid en eller flera mätningar.

- ▶ Vänd dig till **Hilti**-service.

7.4.2 Justera visare för vertikal gervinkel

1. Kontrollera den vertikala gervinkelns precision. → Sidan 64
2. Ställ in den vertikala gervinkeln på 0°.
3. Lossa fästskruven till en av visarna för vertikal gervinkel och ställ in den exakt på indikeringen 0°.
4. Dra åt fästskruven igen för hand. Håll samtidigt fast visaren exakt på indikeringen 0°.
5. Upprepa vid behov det här steget även för den andra visaren.
6. Kontrollera överensstämmelsen mellan den faktiska vertikala gervinkeln och de båda visarna för vinklarna 45° åt höger och 45° åt vänster.
 - ▶ Om en visare inte överensstämmer med den faktiska vinkeln på ett eller flera ställen vid kontrollen och inte går att justera tillräckligt, kontaktar du **Hilti**-service.

7.4.3 Kontrollera horisontell gervinkel

1. Skjut såghuvudet bakåt fram till anslaget (bort från dig).
2. Ställ in djupanslagets anslagsplatta så att djupanslaget går igenom öppningen när såghuvudet sänks ned. → Sidan 58
3. Ställ in den vertikala gervinkeln på 0°.
4. Tryck såghuvudet nedåt och skjut in transportsäkringens för att låsa såghuvudet.
5. Ställ in den horisontella gervinkeln på 0°.
6. Ställ in ett vinkelmått på 90°.
7. Lägg vinkelmåttet plant på sågbordet och jäms med geringsanslaget.
8. För vinkelmåttet mot sågbladet.
 - ▶ Vinkelmåttet måste vara jäms med sågbladet över hela linjen.
9. Ställ in den horisontella gervinkeln på 45° till höger.
10. Ställ in vinkelmåttet till 45° (alternativt 135° för mätning från vänster sida).
11. Lägg vinkelmåttet plant på sågbordet och jäms med geringsanslaget.
12. För vinkelmåttet mot sågbladet.
 - ▶ Vinkelmåttet måste vara jäms med sågbladet över hela linjen.



13. Upprepa stegen för den horisontella gervinkeln 45° till vänster.

Resultat 1 / 2

Vinkelmåttet är jäms med sågbladet över hela linjen vid alla tre mätningarna.

- ▶ Sågen är rätt justerad.

Resultat 2 / 2

Vinkelmåttet och sågbladet är inte jäms med varandra vid en eller flera mätningar.

- ▶ Justera den horisontella gervinkeln eller kontakta **Hilti-service**. → Sidan 65

7.4.4 Justera horisontell gervinkel och skala 20

1. Haka i vridbordet i position 0°.
2. Lossa vridbordets låsknopp.
3. Lossa de fyra fästskruvarna på skalan för horisontell gervinkel.
4. Ställ in ett vinkelmått på 90°.
5. Lägg vinkelmåttet plant på sågbordet och jäms med geringsanslaget.
6. För vinkelmåttet mot sågbladet. Justera vridbordet och skalan för horisontell gervinkel med hjälp av vinkelmåttet.
 - ▶ Vinkelmåttet måste vara jäms med sågbladet över hela linjen.
7. Dra åt vridbordets låsknopp för att förhindra att vridbordet rör sig.
8. Skruva fast de fyra fästskruvarna på skalan för horisontell gervinkel.
9. Kontrollera den horisontella gervinkeln 45° åt höger och 45° åt vänster. → Sidan 64

Resultat 1 / 2

Vid de horisontella gervinklarna 45° åt höger och 45° åt vänster är vinkelmåttet i plan med sågbladet över hela linjen.

- ▶ Sågen är rätt justerad.

Resultat 2 / 2

Vinkelmåttet och sågbladet är inte jäms med varandra vid en eller flera mätningar.

- ▶ Vänd dig till **Hilti-service**.

7.4.5 Justera visare för horisontell gervinkel 21

1. Kontrollera den horisontella gervinkels precision. → Sidan 64
2. Justera vid behov den horisontella gervinkeln. → Sidan 65
3. Ställ in den horisontella gervinkeln på 0°.
4. Lossa fästskruven till en av visarna för horisontell gervinkel och ställ in den exakt på indikeringen 0°.
5. Dra åt fästskruven igen för hand. Håll samtidigt fast visaren exakt på indikeringen 0°.
6. Upprepa vid behov det här steget även för den andra visaren.
7. Kontrollera överensstämmelsen mellan den faktiska horisontella gervinkeln och de båda visarna för vinklarna 45° åt höger och 45° åt vänster.
 - ▶ Om en visare inte överensstämmer med den faktiska vinkeln på ett eller flera ställen vid kontrollen och inte går att justera tillräckligt, kontaktar du **Hilti-service**.

7.5 Byta dammuppsamlare 22



Risk för personskada på grund av felaktigt monterad avisare. Om en avisare monteras på fel sätt kan sågbladet fastna. Avisaren eller sågbladet kan då gå sönder, varpå avbrutna delar kan slungas ut från sågen.

- ▶ Se till att avisaren monteras korrekt. Den fjäderbelastade delen av avisaren ska vara riktad bort från sågbladet.

1. Lossa fästskruvarna **(1)** på ena sidan och ta loss avisaren **(3)**.
2. Lossa fästskruvarna på motsatt sida och ta loss den andra avisaren och dammuppsamlaren **(2)**.
3. Sätt in den nya dammuppsamlaren **(2)** och en avisare **(3)**.
 - ▶ Se till att avisaren hamnar rätt.
4. Skruva fast de båda delarna med fästskruvarna.
5. Skruva fast den andra avisaren och dammuppsamlaren på motsatt sida.
 - ▶ Se till att avisaren hamnar rätt.
 - ▶ Kontrollera att dammuppsamlaren och de båda avisarna sitter fast.



7.6 Byta spårplattorna **23**

Spårplattorna är inställda från fabrik så att de inte kommer i kontakt med sågbladet. Trots detta utsätts spårplattorna för visst slitage. **Hilti** tillhandahåller spårplattor som reservdelar. De kan bytas snabbt och enkelt av användaren.

1. Öppna alla fästskruvar till spårplattorna och kassera de slitna spårplattorna.
2. Sätt i de nya spårplattorna.
3. Dra åt fästskruvarna löst så att det fortfarande går att flytta spårplattorna.
4. Ställ in spårplattornas position så att sågbladet inte kommer i kontakt med dem.
 - ▶ Kontrollera i första hand maximal vertikal gervinkel till höger och vänster.
 - ▶ Kontrollera även alla ytterligare horisontella och vertikala gervinklar.
5. Dra åt alla fästskruvar för hand när inställningen är klar.

8 Transport och förvaring av sladdlösa verktyg och batterier **24, 25**

Transport av kap- och geringssågen

Utför stegen nedan innan du transporterar sågen:

- ▶ Skjut såghuvudet bakåt fram till anslaget (bort från dig).
- ▶ Lås utdraget. → Sidan 58
- ▶ Ställ in djupanslagets anslagsplatta så att djupanslaget går igenom öppningen när såghuvudet sänks ned. → Sidan 58
- ▶ Ställ in den vertikala gervinkeln på 0°.
- ▶ Tryck såghuvudet nedåt och skjut in transportsäkring för att låsa såghuvudet.
- ▶ Skjut in eventuella extrastöd helt. → Sidan 58
- ▶ Flytta den horisontella gervinkeln åt höger så långt det går (60°) och haka i vridbordet.
- ▶ Ta bort alla tillbehör (t.ex. skruvtving) som inte kan monteras fast på sågen.
- ▶ Ta vid behov av låsknoppen och sätt fast den i ett av fästena på baksidan av det övre geringsanslaget.

Sågen får bara bäras i de därför avsedda greppställena:

- griphålen nedanför extrastöden **(1)**
- griphålet i det bakre området bredvid dammsuget **(2)**
- handtaget på såghuvudet **(3)**.

Transportera batterier

FÖRSIKTIGHET

Oavsiktlig start under transport. !

- ▶ Transportera alltid produkten utan insatta batterier.
- ▶ Ta ut batteriet/batterierna.
- ▶ Transportera aldrig batterierna löst liggande. Under transport ska batterierna skyddas mot alltför hårda stötar och vibrationer samt hållas isolerade från eventuella ledande material eller andra batterier så att de inte kommer i kontakt med andra batteripoler och orsakar en kortslutning. **Observera lokala transportföreskrifter för batterier.**
- ▶ Batterier får inte skickas per post. Vänd dig till ett fraktbolag om du vill skicka intakta batterier.
- ▶ Kontrollera produkt och batterier före varje användning samt före och efter längre transport för att se till att de inte är skadade.

Förvaring

VARNING

Oavsiktlig skada på grund av trasiga eller läckande batterier. !

- ▶ Förvara alltid produkten utan insatta batterier.
- ▶ Förvara produkt och batterier svalt och torrt. Följ de temperaturgrensvärden som anges i den tekniska informationen.
- ▶ Förvara inte batterierna i batteriladdaren. Ta alltid ur batteriet ur laddaren när laddningen är klar.
- ▶ Förvara aldrig batterier i solen, på värmekällor eller bakom glas.
- ▶ Förvara produkt och batterier utom räckhåll för barn och obehöriga personer.
- ▶ Kontrollera produkt och batterier före varje användning samt före och efter längre tids förvaring för att se till att de inte är skadade.



9 Felsökning

Observera batteriets statusindikering vid alla störningar. Se kapitel **Indikeringar för litiumjonbatteri**. Kontakta **Hilti-service** om det uppstår ett fel som inte finns med i den här tabellen eller som du inte lyckas åtgärda på egen hand.

Fel	Möjlig orsak	Lösning
Varvtalet sjunker plötsligt.	Batteriet är urladdat.	► Ladda batteriet.
	För stark frammatning.	► Minska frammatningen och koppla till produkten igen.
Sågbladet stannar.	För stark frammatning.	► Minska frammatningen och koppla till produkten igen.
Motorns bromsfunktion fungerar inte.	Batteriet är urladdat.	► Ladda batteriet.
Inexakta sågvinklar.	Vinkelnoggrannheten, skalorna eller visarna är felaktigt inställda.	<ul style="list-style-type: none"> ► Kontrollera och justera inställningar och indikeringar. → Sidan 63 ► Om du inte själv kan justera inställningarna eller om sågens precision avviker för mycket kan du vända dig till Hilti-service.
Batteriets lysdioder indikerar ingenting	Batteriet är defekt	► Vänd dig till Hilti-service .

10 Avfallshantering

VARNING

Risk för personskada på grund av felaktig avfallshantering! Hälsorisk på grund av läckande gaser eller syror.

- Skicka aldrig iväg skadade batterier!
- Täck anslutningarna med ett icke ledande material för att förhindra kortslutningar.
- Kassera batterier så att de inte kan hamna i händerna på barn.
- Kassera batteriet hos din **Hilti Store** eller vänd dig till närmaste återvinningscentral.

Hilti-produkter är till stor del tillverkade av återvinningsbara material. En förutsättning för återvinning är att materialen separeras på rätt sätt. I många länder tar **Hilti** tillbaka din gamla enhet för återvinning. Fråga **Hilti** kundservice eller din säljare.



- Kasta inte elverktyg, elektronisk apparatur och batterier i hushållssoporna.

11 Tillverkargaranti

- Vänd dig till din lokala **Hilti**-representant om du har frågor om garantivillkoren.

12 Ytterligare information

Ytterligare information om drift, teknik, miljö och återvinning hittar du via följande länk: qr.hilti.com/manual/?id=2395172&id=2395174

Länken finns också som en QR-kod i slutet av bruksanvisningen.



Original bruksanvisning

1 Informasjon om bruksanvisningen

1.1 Om denne bruksanvisningen

- Advarsel! Før du tar i bruk produktet må du sørge for å ha lest og forstått den medfølgende bruksanvisningen, herunder instruksjonene, sikkerhets- og varselinformasjon, illustrasjoner og spesifikasjoner. Gjør deg særlig kjent med alle instruksjoner, sikkerhets- og varselinformasjon, illustrasjoner, spesifikasjoner samt deler og funksjoner. Ved manglende overholdelse er det fare for elektrisk støt, brann og/eller for alvorlige personskader. Oppbevar bruksanvisningen med alle instruksjoner, sikkerhets- og varselinformasjon for senere bruk.
- Den medfølgende bruksanvisningen er i tråd med det aktuelle tekniske nivået på trykkesidspunktet. Du finner alltid den mest oppdaterte versjonen på nettet på Hiltis produktside. Følg lenken eller QR-koden i denne bruksanvisningen, merket med symbolet
- Pass på at bruksanvisningen følger med produktet når det overlates til andre personer.

1.2 Symbolforklaring

1.2.1 Farehenvisninger

Farehenvisninger advarer mot farer under håndtering av produktet. Følgende signalord brukes:

FARE

FARE !

- ▶ For en umiddelbart truende fare som kan føre til alvorlige personskader eller død.

ADVARSEL

ADVARSEL !

- ▶ Varsler en mulig fare som kan føre til alvorlige personskader eller død.

FORSIKTIG

FORSIKTIG !

- ▶ Varsler om en mulig farlig situasjon som kan føre til personskade eller materiell skade.

1.2.2 Symboler i bruksanvisningen

Følgende symboler benyttes i denne bruksanvisningen:

	Følg bruksanvisningen
	Bruksanvisninger og andre nyttige opplysninger
	Håndtering av resirkulerbare materialer
	Ikke kast elektriske apparater eller batterier i husholdningsavfallet
	Hilti li-Ion-batteri
	Hilti Lader

1.2.3 Symboler i illustrasjoner

Følgende symboler brukes i illustrasjonene:

	Disse tallene viser til illustrasjonen i begynnelsen av denne bruksanvisningen.
	Nummereringen i illustrasjoner henviser til viktige arbeidstrinn eller viktige komponenter for arbeidstrinnene. I teksten i blir disse arbeidstrinnene eller komponentene markert med tilhørende numre, f.eks. (3) .
	Posisjonsnumrene brukes i illustrasjonen Oversikt og henviser til numrene på teksten i avsnittet Produktoversikt .





Dette symbolet betyr at håndtering av produktet krever stor grad av oppmerksomhet.

1.3 Produktavhengige symboler

1.3.1 Generelle symboler

Symboler som benyttes på produktet.

	Produktet støtter NFC-teknologi som er kompatibel med iOS- og Android-plattformer.
	Likestrøm
n_0	Nominelt tomgangsturtall
\emptyset	Diameter
	Sagbladets mål
	Ikke se inn i lyskilden.
Li-Ion	Li-ion-batteri
	Slå aldri med en gjenstand på batteriet og bruk aldri batteriet som slagverktøy.
	Ikke mist ned batteriet. Ikke bruk et batteri som har vært utsatt for støt eller er skadet på annen måte.

1.3.2 Forbudssymboler

Forbudssymboler viser til forbudte handlinger.

	Fareområde! Hold hender, fingre og armer unna dette området.
--	--

1.3.3 Påbudssymboler

Påbudssymboler viser til handlinger som må utføres.

	Bruk hørselsvern
	Bruk øyevern

1.4 Produktinformasjon

HILTI-produkter er laget for profesjonell bruk og må kun brukes, vedlikeholdes og repareres av kyndig personale. Dette personalet må informeres om eventuelle farer som kan oppstå. Produktet og tilleggsutstyret kan utgjøre en fare hvis det betjenes av ukvalifisert personale eller det benyttes feil.

Typebetegnelse og serienummer står på typeskiltet.

- Skriv inn serienummeret i tabellen nedenfor. Du trenger produktspesifikasjonene ved henvendelser til Hiltis representant eller servicesenter.

Produktopplysninger

Batteridrevet kapp- og gjæringsag	SM 60-22
Generasjon	01
Serienummer	

1.5 Samsvarserklæring

Produsenten erklærer under sitt eneansvar at produktet som er beskrevet her, oppfyller kravene i gjeldende lovgivning og er i samsvar med gjeldende standarder. Du finner et bilde av samsvarserklæringen på slutten av denne dokumentasjonen.



2 Sikkerhet

2.1 Generelle sikkerhetsregler for elektroverktøy

⚠ ADVARSEL Les alle sikkerhetsanvisninger, instruksjer, illustrasjoner og tekniske data som elektroverktøyet er utstyrt med. Manglende overholdelse av anvisningene nedenfor kan medføre elektrisk støt, brann og/eller alvorlige personskader.

Overhold alle sikkerhetsanvisninger og instruksjoner i hele bruksperioden.

Begrepet "elektroverktøy" som er brukt i sikkerhetsanvisningene, viser til nett-drevne elektroverktøy (med nettkabel) eller til batteridrevne elektroverktøy (uten nettkabel).

Sikkerhet på arbeidsplassen

- ▶ **Hold arbeidsområdet rent og godt opplyst.** Rotete eller dårlig belyste arbeidsområder kan føre til ulykker.
- ▶ **Bruk ikke elektroverktøyet i eksplosjonsfarlige omgivelser hvor det befinner seg brennbare flytende stoffer, gasser eller støv.** Elektroverktøy lager gnister som kan antenne støv eller damp.
- ▶ **Hold barn og andre personer på sikker avstand mens elektroverktøyet brukes.** Hvis du blir forstyrret under arbeidet, kan du miste kontrollen over verktøyet.

Elektrisk sikkerhet

- ▶ **Elektroverktøyets støpsel må passe i stikkontakten. Støpselet må ikke forandres på noen som helst måte. Bruk ikke adapterkontakt på jordete elektroverktøy.** Uendrede støpsler og egnede stikkontakter minsker risikoen for elektrisk støt.
- ▶ **Unngå kroppskontakt med jordete overflater som rør, radiatorer, komfyrer eller kjøleskap.** Risikoen for elektriske støt er høyere når kroppen er jordet.
- ▶ **Hold elektroverktøyet unna regn og fuktighet.** Risikoen for elektrisk støt øker ved inntrenging av vann i et elektroverktøy.
- ▶ **Bruk ikke ledningen til å bære elektroverktøyet, henge det opp eller til å dra støpselet ut av stikkontakten. Hold ledningen unna varme, olje, skarpe kanter og deler som beveger seg.** Skadde eller sammenviklede ledninger øker risikoen for elektriske støt.
- ▶ **Bruk kun skjøteledninger som også er godkjent for utendørs bruk når du arbeider med et elektroverktøy utendørs.** Bruk av skjøteledning som er egnet til utendørs bruk, minsker risikoen for elektrisk støt.
- ▶ **Må elektroverktøyet brukes i fuktige omgivelser, er det nødvendig å bruke en jordfeilbryter.** Bruk av en jordfeilbryter reduserer risikoen for elektrisk støt.

Personsikkerhet

- ▶ **Vær oppmerksom, pass på hva du gjør, og gå fornuftig fram under arbeidet med et elektroverktøy. Ikke bruk elektroverktøy når du er trøtt eller påvirket narkotika, alkohol eller medikamenter.** Et øyeblikks uoppmerksomhet ved bruk av elektroverktøyet kan være nok til å forårsake alvorlige personskader.
- ▶ **Bruk alltid personlig verneutstyr og vernebriller.** Bruk av personlig verneutstyr som støvmaske, skliskure vernesko, hjelm eller hørselsvern – avhengig av type og bruk av elektroverktøyet – reduserer risikoen for skader.
- ▶ **Unngå utilsiktet start. Forsikre deg om at elektroverktøyet er slått av før du setter i stikkontakten eller batteriet og før du løfter eller flytter elektroverktøyet.** Hvis du holder fingeren på bryteren når du bærer elektroverktøyet, eller kobler elektroverktøyet til strøm i innkoblet tilstand, kan dette føre til uhell.
- ▶ **Fjern justeringsverktøy og skrunøkkel før du slår på elektroverktøyet.** Et verktøy eller en nøkkel som befinner seg i en roterende maskindel, kan føre til skader.
- ▶ **Unngå uhensiktsmessige arbeidsposisjoner. Sørg for å stå stødig og i balanse.** Dermed kan du kontrollere elektroverktøyet bedre i uventede situasjoner.
- ▶ **Bruk egnede klær. Ikke bruk vide klær eller smykker. Hold hår, tøy og hansker unna deler som beveger seg.** Løstsittende tøy, smykker eller langt hår kan komme inn i deler som beveger seg.
- ▶ **Hvis det er montert støvavsugs- og oppsamlingsinnretninger, må det kontrolleres at disse er koblet til og blir brukt på riktig måte.** Bruk av støvavsug kan redusere faremomentene i forbindelse med støv.
- ▶ **Ikke føl deg for trygg og ikke bryt sikkerhetsreglene for elektroverktøy, heller ikke når du etter lang tids bruk er blitt fortrolig med elektroverktøyet.** Et øyeblikks uaktsomhet kan føre til alvorlige personskader.



Bruk og behandling av elektroverktøyet

- ▶ **Ikke overbelast verktøyet. Bruk et elektroverktøy som er beregnet til den type arbeid du vil utføre.** Med et passende elektroverktøy arbeider du bedre og sikrere i det angitte effektområdet.
- ▶ **Ikke bruk elektroverktøy med defekt bryter.** Et elektroverktøy som ikke lenger kan slås av eller på, er farlig og må repareres.
- ▶ **Dra ut støpselet fra stikkkontakten og/eller ta ut et uttakbart batteri før du foretar maskinnstillinger, bytter tilleggsutstyr eller legger bort verktøyet.** Disse tiltakene forhindrer utilsiktet start av elektroverktøyet.
- ▶ **Oppbevar elektroverktøy som ikke brukes, utenfor barns rekkevidde. La ikke personer som ikke er firtrolige med verktøyet eller ikke har lest disse instruksjonene, bruke verktøyet.** Elektroverktøy er farlige når de brukes av uerfarne personer.
- ▶ **Sørg for grundig stell og vedlikehold av elektroverktøyet med tilbehør. Kontroller at bevegelige deler på elektroverktøyet fungerer feilfritt og ikke klemmes fast, og at ingen deler er brukt eller skadet, slik at dette innvirker på elektroverktøyet funksjon. La skadde deler repareres før elektroverktøyet brukes.** Mange ulykker er et resultat av dårlig vedlikeholdte elektroverktøy.
- ▶ **Hold skjæreverktøy skarpe og rene.** Godt vedlikeholdte skjæreverktøy med skarpe skjærekanter blir sjeldnere fastklemt og er lettere å styre.
- ▶ **Bruk elektroverktøy, tilbehør, arbeidsverktøy osv. i overensstemmelse med denne anvisningen. Ta hensyn til arbeidsforholdene og arbeidet som skal utføres.** Bruk av elektroverktøy til andre formål enn det som er angitt, kan føre til farlige situasjoner.
- ▶ **Hold håndtak og gripeflater tørre, rene og frie for olje og fett.** Glatte håndtak og gripeflater gir ikke sikker betjening og kontroll av elektroverktøyet i uforutsette situasjoner.

Bruk og behandling av det batteridrevne elektroverktøyet

- ▶ **Bruk kun ladere som er anbefalt av produsenten når du skal lade batteriene.** Det oppstår brannfare når det brukes andre batterier i en lader enn den laderen er egnet for.
- ▶ **Bruk bare batterier som er beregnet for de forskjellige elektroverktøyene.** Bruk av andre batterier kan medføre skader og brannfare.
- ▶ **Unngå å oppbevare ubrukte batterier i nærheten av binders, mynter, nøkler, nagler, skruer eller andre små metallgjenstander som kan forårsake kortslutning av kontakten.** En kortslutning mellom batterikontaktene kan føre til forbrenninger eller brann.
- ▶ **Ved feil bruk kan væske lekke fra batteriet. Unngå kontakt med denne væsken. Ved tilfeldig kontakt må det skylles med vann. Hvis det kommer væske i øynene, må du i tillegg oppsøke lege.** Batterivæske som renner ut, kan føre til irritasjoner på huden eller forbrenninger.
- ▶ **Ikke bruk batterier som er skadde eller modifiserte.** Skadde eller modifiserte batterier kan oppføre seg uforutsigbart og forårsake brann, eksplosjon eller personskade.
- ▶ **Ikke utsett batteriet for åpen ild eller høye temperaturer.** Ild eller temperaturer over 130 °C (265 °F) kan forårsake eksplosjon.
- ▶ **Følg alle anvisningene for lading, og lad aldri batteriet eller det batteridrevne verktøyet utenfor temperaturområdet som er angitt i bruksanvisningen.** Feil lading eller lading utenfor det tillatte temperaturområdet kan ødelegge batteriet og øke brannfaren.

Service

- ▶ **Elektroverktøyet må kun repareres av kvalifisert fagpersonale og kun med originale reservedeler.** Slik opprettholdes maskinens sikkerhet.
- ▶ **Vedlikehold ikke skadde batterier.** Alt vedlikehold på batterier skal utføres av produsenten eller et godkjent serviceverksted.

2.2 Sikkerhetsanvisninger for kapp- og gjæringsager

- ▶ **Kapp- og gjæringsager er beregnet på saging i tre eller trelignende produkter. De kan ikke brukes til saging i jernmaterialer som f.eks. staver, stenger, skruer osv.** Abrasivt støv fører til blokkering av bevegelige deler, slik som den nedre beskyttelsesskjermen. Skjæregnister brenner av den nedre beskyttelsesskjermen, innleggsplaten og andre plastdeler.
- ▶ **Fest arbeidsemnet med tvinger i den grad det er mulig. Hvis du holder arbeidsemnet fast med hånden, må du holde hånden minst 100 mm fra sagbladet på begge sider. Ikke bruk denne sagen til saging av arbeidsemner som er så små at du ikke kan spenne dem fast eller holde dem fast med hånden.** Hvis hånden kommer for nær sagbladet, er det økt fare for personskade som følge av kontakt med sagbladet.
- ▶ **Arbeidsemnet må ikke kunne bevege seg og må enten spennes fast eller trykkes mot anlegget og bordet. Ikke skyv arbeidsemnet inn i sagbladet, og sag aldri på "frihånd".** Løse arbeidsemner eller arbeidsemner i bevegelse vil kunne bli slynget ut med høy hastighet og føre til personskader.



- ▶ **Skiv sagen gjennom arbeidsemnet. Unngå å trekke sagen gjennom arbeidsemnet. Når du skal begynne å sage, løfter du saghodet og trekker det over arbeidsemnet uten å skjære. Deretter slår du på motoren, svinger saghodet nedover og trykker sagen gjennom arbeidsemnet.** Hvis du trekker sagen mot deg, er det fare for at sagbladet glir opp og ut av arbeidsemnet, og at sagbladenheten slynges mot brukeren med voldsom kraft.
- ▶ **Kryss aldri hendene over den planlagte skjærelinjen, verken foran eller bak sagbladet.** Det er svært farlig å støtte arbeidsemnet med hendene i kryss, dvs. å holde i arbeidsemnet til høyre for sagbladet med den venstre hånden eller omvendt.
- ▶ **Ikke stikk hendene bak anlegget når sagbladet roterer. La det alltid være en sikkerhetsavstand på minst 100 mm mellom hånden og det roterende sagbladet (gjelder på begge sider av sagbladet, f.eks. ved fjerning av treavfall).** Det kan hende at du ikke ser hvor nær hånden er det roterende sagbladet, og dermed kan du bli alvorlig skadet.
- ▶ **Kontroller arbeidsemnet før du sager. Hvis arbeidsemnet er bøyd eller vridd, spenner du det fast med den utoverkrummede siden mot anlegget. Kontroller alltid at det ikke er noen åpning langs skjærelinjen mellom arbeidsemne, anlegg og bord.** Bøyd eller vridd arbeidsemner kan snu seg eller forskyve seg og føre til at det roterende sagbladet kommer i klem under sagingen. Det må ikke være spiker eller fremmedlegemer i arbeidsemnet.
- ▶ **Ikke bruk sagen før sagbordet er ryddet for verktøy, treavfall osv. Kun arbeidsemnet skal være på sagbordet.** Småavfall, løse trebitar eller andre gjenstander som kommer i berøring med det roterende sagbladet, kan bli slynget ut med høy hastighet.
- ▶ **Sag bare ett arbeidsemne om gangen.** Arbeidsemner som stables oppå hverandre, kan ikke spennes eller holdes godt nok fast, og dette kan føre til at sagbladet kommer i klem eller glir ut under sagingen.
- ▶ **Plasser kapp- og gjæringsagen på en jevn og fast arbeidsflate før bruk.** En jevn og fast arbeidsflate reduserer faren for at kapp- og gjæringsagen blir ustabil.
- ▶ **Planlegg arbeidet. Ved enhver justering av sagbladhellningen eller gjæringsvinkelen må du passe på at det justerbare anlegget er riktig innstilt og støtter arbeidsemnet, uten at det kommer i berøring med sagbladet eller beskyttelsesskjermen.** Uten å slå på maskinen og uten arbeidsemne på sagbordet simulerer du en fullstendig sagebevegelse med sagbladet for å sikre at det ikke er hindringer eller fare for å sage i anlegget.
- ▶ **Hvis arbeidsemnet er bredere eller lengre enn sagbordets overside, må du bruke en passende støtte, for eksempel bordforlengelser eller sagbukker.** Arbeidsemner som er lengre eller bredere enn bordet på kapp- og gjæringsagen, kan velte hvis de ikke er støttet godt nok opp. Hvis et avsaget trestykke eller arbeidsemnet velter, kan det heve den nedre beskyttelsesskjermen eller bli slynget ukontrollert ut av det roterende sagbladet.
- ▶ **Ikke bruk andre personer som erstatning for en bordforlengelse eller ekstra oppstøtting.** En ustabil oppstøtting av arbeidsemnet kan føre til at sagbladet kommer i klem. Arbeidsemnet kan dessuten forskyve seg under sagingen slik at personen som hjelper deg, trekkes inn i det roterende sagbladet.
- ▶ **Det avsagde stykket må ikke trykkes mot det roterende sagbladet.** Hvis det er liten plass, f.eks. ved bruk av lengdeanlegg, kan det avsagde trestykket kile seg fast i sagbladet og bli slynget ut med voldsom kraft.
- ▶ **Bruk alltid en tvinge eller en annen egnet innretning til å støtte runde materialer som stenger eller rør på en forsvarlig måte.** Stenger har en tendens til å rulle vekk under sagingen, og da kan sagbladet "bite seg fast" slik at arbeidsemnet og hånden din trekkes inn i sagbladet.
- ▶ **La sagbladet nå fullt turtall før du sager i arbeidsemnet.** Dette minsker risikoen for at arbeidsemnet slynges bort.
- ▶ **Hvis arbeidsemnet klemmes fast eller sagbladet blir blokkert, slår du av kapp- og gjæringsagen. Vent til alle bevegelige deler har stanset helt opp, og trekk ut støpslet eller ta ut batteriet. Fjern deretter det fastklemt materialet.** Hvis du fortsetter å sage med en slik blokkering, kan du miste kontrollen, eller det kan oppstå skader på kapp- og gjæringsagen.
- ▶ **Slipp bryteren når du har sagt ferdig, hold saghodet nede og vent til sagbladet har stanset helt før du fjerner det avsagde stykket.** Det er svært farlig å bevege hånden i nærheten av sagbladet før det har stanset helt.
- ▶ **Hold godt fast i håndtaket hvis du utfører et ufullstendig sagsnitt, eller hvis du slipper bryteren før saghodet har nådd den nedre stillingen.** Som følge av sagens bremsvirkning kan saghodet bli trukket rykkvis nedover og dermed føre til en risiko for personskade.

2.3 Ytterligere sikkerhetsanvisninger

- ▶ Bruk produktet og tilbehøret bare i teknisk feilfri stand.
- ▶ Ikke foreta manipulering eller endring av produktet eller tilbehør.



- ▶ Fare for personskade på grunn av verktøy og/eller tilbehør som faller ned. Kontroller før arbeidet påbegynnes at batteri og montert tilbehør er godt festet.
- ▶ Støv som oppstår ved sliping, smergling, kapping og boring kan inneholde farlige kjemikalier. Noen eksempler er: bly eller blybasert maling; tegl, betong og andre murverksprodukter, naturstein og andre silikatholdige produkter; bestemte tresorter, slik som eik, bøk og kjemisk behandlet trevirke; asbest eller asbestholdige materialer. Kartlegg hvor eksponert brukeren og personer i nærheten er ved hjelp av fareklassen til materialene som det arbeides med. Treff nødvendige tiltak for å holde eksponeringen på et trygt nivå, f.eks. ved å bruke et støvoppsamlingsystem eller egnet åndedrettsvern. Til de generelle tiltakene for å redusere eksponeringen hører:
 - ▶ arbeid i et godt ventilert område,
 - ▶ unngå langvarig kontakt med støv,
 - ▶ led bort støv fra ansikt og kropp,
 - ▶ bruk verneutstyr og vask eksponerte områder med vann og såpe.
- ▶ Benytt øyevern, hjelm, hørselsvern og egnet åndedrettsvern ved bruk av produktet.
- ▶ Ta hyppige pauser og gjør øvelser for å øke blodgjennomstrømmingen i fingrene. Ved langvarig arbeid kan kraftige vibrasjoner føre til forstyrrelser i blodkar eller nervesystemet i fingre, hender eller håndledd.
- ▶ Hold alltid ventilasjonsåpningene rene. Fare for forbrenning hvis ventilasjonsåpningene er blokkert!
- ▶ Ikke slipp håndtaket når du har ført saghodet nedover. Før alltid saghodet kontrollert tilbake til øvre posisjon. Hvis saghodet beveger seg ukontrollert, kan det føre til fare for personskade.
- ▶ Ikke bruk sløve, sprukne, bøyd eller skadde sagblad. Sagblad med sløve tenner eller tenner som sitter feil, gir for trangt sagspor, og dette fører til økt friksjon, sagblad i klem og rekyl.
- ▶ Fjern aldri sagerester, trespon o.l. fra sageområdet mens saken går. Slå først alltid av saken og før saghodet tilbake til den øvre posisjonen.
- ▶ Bruk bare sagblad som er godkjent for produktet, oppfyller spesifikasjonene under tekniske data og/eller på produktet (f.eks. diameter, turtall, tykkelse, festehull, materiale osv.) og som er testet og merket iht. standarden EN 847-1.
- ▶ Bruk bare sagblad med et tillatt turtall som er minst like høyt som det høyeste angitte turtallet på produktet.
- ▶ Ikke ta på sagbladet før det har kjølnet etter arbeidet. Sagbladet blir svært varmt under arbeid.
- ▶ Bruk vernehansker når du skifter sagblad.
- ▶ Sjekk alltid før bruk at beskyttelsesskjermen lukkes som den skal. Beveg saghodet nedover og skyv det kontrollert tilbake i øvre posisjon. Ikke bruk saken hvis beskyttelsesskjermen ikke kan bevege seg fritt og ikke lukkes umiddelbart når saghodet heves. Du må aldri klemme eller binde fast den nedre beskyttelsesskjermen i åpen stilling.
- ▶ Bruk aldri produktet uten beskyttelsesskjerm.
- ▶ La alltid verktøyet gå med lav hastighet ved saging av aluminiumsprofiler.
- ▶ Bruk og fest alltid tilleggsunderlagene på produktet.
- ▶ Grip bare tak i punktene beregnet på formålet når du skal transportere saken (grepsfordypninger og transporthåndtak). Bær aldri elektroverktøyet etter glidearmen eller håndtaket. – Side 88
- ▶ Unngå overoppheting av sagtannspissene. Ved saging i plast bør man unngå å smelte platen.

2.4 Aktsom håndtering og bruk av batterier

- ▶ **Ta hensyn til følgende sikkerhetsanvisninger for sikker håndtering og bruk av li-ion-batterier.** Manglende overholdelse kan føre til hudirritasjoner, alvorlige korrosive skader, kjemiske forbrenninger, brann og/eller eksplosjoner.
- ▶ Bruk kun batterier i teknisk feilfri stand.
- ▶ Behandle batterier med omhu for å unngå skader og forhindre at svært helseskadelige væsker lekker ut!
- ▶ Batterier må under ingen omstendigheter modifiseres eller manipuleres!
- ▶ Batteriene må ikke tas fra hverandre, klemmes, varmes opp over 80 °C (176 °F) eller brennes.
- ▶ Ikke bruk eller lad opp batterier som har vært utsatt for et støt eller er skadd på annen måte. Kontroller batteriene regelmessig for å se etter tegn på skader.
- ▶ Bruk aldri resirkulerte eller reparerte batterier.
- ▶ Ikke bruk batteriet eller et batteridrevet elektroverktøy som slagverktøy.
- ▶ Utsett aldri batterier for direkte sollys, høy temperatur, gnistdannelse eller åpen flamme. Dette kan føre til eksplosjoner.
- ▶ Ikke berør batteripolene med fingrene, verktøy, smykker eller andre elektrisk ledende gjenstander. Dette kan skade batteriet samt forårsake materielle skader og personskader.



- ▶ Hold batteriene unna regn, fuktighet og væsker. Hvis fuktighet trenger inn, kan dette føre til kortslutning, elektrisk støt, forbrenninger, brann og eksplosjoner.
- ▶ Bruk kun ladere og elektroverktøy som er beregnet på denne batteritypen. Følg i den forbindelse opplysningene i de tilhørende bruksanvisningene.
- ▶ Ikke bruk eller oppbevar batteriet i eksplosjonsfarlige omgivelser.
- ▶ Hvis batteriet er for varmt til at du kan ta på det, kan det være defekt. Plasser batteriet på et synlig, ikke brennbart sted med tilstrekkelig avstand til brennbare materialer. La batteriet kjøle. Hvis batteriet fremdeles er for varmt til at du kan ta på det etter en time, er det defekt. Kontakt **Hilti** service eller les dokumentet "Informasjon om sikkerhet og bruk av **Hilti** li-ion-batterier".

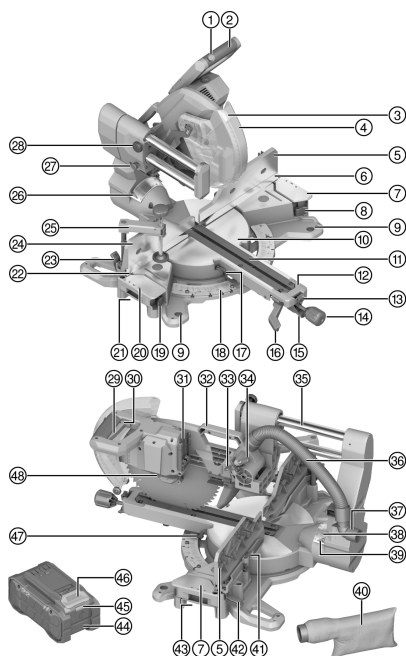


Ta hensyn til spesielle retningslinjer som gjelder for transport, lagring og bruk av litium-ion-batterier. Les informasjonen om sikkerhet og bruk av **Hilti** li-ion-batterier, som du finner ved å skanne QR-koden bakerst i denne bruksanvisningen.



3 Beskrivelse

3.1 Produktoversikt



- ① Innkoblingssperre
- ② Håndtak
- ③ LED-snittindikator
- ④ Beskyttelsesskjerm
- ⑤ Øvre gjæringsanlegg høyre side
- ⑥ Nedre gjæringsanlegg høyre side
- ⑦ Tilleggsunderlag høyre side
- ⑧ Utløserhendel for tilleggsunderlag høyre side
- ⑨ Festehull
- ⑩ Dreiebord
- ⑪ Slisseplater
- ⑫ Arm dreiebord
- ⑬ Låseposisjon utløserhendel for dreiebord
- ⑭ Låseknot for dreiebord
- ⑮ Utløserhendel for dreiebord
- ⑯ Utløserhendel for vertikal gjæringsvinkel
- ⑰ Viser for horisontal gjæringsvinkel venstre
- ⑱ Skala for horisontal gjæringsvinkel
- ⑲ Utløserhendel for tilleggsunderlag venstre side
- ⑳ Tilleggsunderlag venstre side
- ㉑ Grepsfordypning venstre side
- ㉒ Nedre gjæringsanlegg venstre side
- ㉓ Utløserhendel for øvre gjæringsanlegg venstre side
- ㉔ Øvre gjæringsanlegg venstre side
- ㉕ Skrutvinge
- ㉖ Viser for vertikal gjæringsvinkel venstre
- ㉗ Transportsikring
- ㉘ Låseskrue uttrekk
- ㉙ Av/på-bryter
- ㉚ Hull til hengelås
- ㉛ Batterigrensesnitt
- ㉜ Transporthåndtak
- ㉝ Anleggsplate dybdeanlegg
- ㉞ Dybdeanlegg
- ㉟ Uttrekk / glidestang
- ㊱ Forbindelsesslange støvavsug
- ㊲ Avsugsstuss
- ㊳ Skala for vertikal gjæringsvinkel
- ㊴ Viser for vertikal gjæringsvinkel høyre
- ㊵ Støvpose
- ㊶ Unbrakonøkkel
- ㊷ Utløserhendel for øvre gjæringsanlegg høyre side
- ㊸ Grepsfordypning høyre side
- ㊹ Batteri
- ㊺ Statusindikator for batteri
- ㊻ Utløserknapp for batteri
- ㊼ Viser for horisontal gjæringsvinkel høyre
- ㊽ Spindellås



3.2 Forskriftsmessig bruk

Det beskrevne produktet er en batteridrevet kapp- og gjæringssag. Den er beregnet på saging av tre, treprodukter, plast og aluminiumsprofiler. Med produktet kan du utføre tverrsnitt, skråsnitt og gjæringssnitt. Produktet er utstyrt med en tilkoblingsstuss for sponavsug, som er konstruert for vanlige støvsugerslanger. Det kan være nødvendig med en adapter for å koble støvsugerslangen til sagen.

- Bruk saken bare med den medfølgende sponposen eller med en egnet støvsuger.
- Bruk bare sagblad som er godkjent for produktet, og som oppfyller spesifikasjonene under tekniske data (f.eks. diameter, turtall, tykkelse, materiale osv...). Slipe- og kappeskiver samt sagblad av høylegert hurtigstål (HSS-stål) er ikke tillatt.
- Sag aldri i magnesium med produktet.
- Til dette produktet må det bare benyttes **Hilti** Nuron li-ion-batterier i serien B 22. For optimal ytelse anbefaler **Hilti** å benytte batteriene som er angitt i tabellen på slutten av denne bruksanvisningen til produktet.
- Til disse batteriene må det bare benyttes **Hilti**-ladere i seriene som er står oppført i tabellen bakerst i denne bruksanvisningen.

3.3 Følgende inngår i leveransen:

Kapp- og gjæringssag, sagblad, spennflens, festeffens, spennskruer, unbrakonøkkel, skrutvinge, låseknett for dreiebord, bruksanvisning

I tillegg finner du godkjente systemprodukter til produktet i nærmeste **Hilti Store** eller under: www.hilti.group

3.4 Indikatorer for li-ion-batteriet

Hilti Nuron Li-ion-batterier kan indikere ladetilstand, feilmeldinger og batteriets tilstand.

3.4.1 Indikatorer for ladetilstand og feilmeldinger

ADVARSEL

Fare for personskader på grunn av batteri som faller ned!

- ▶ Når du har satt i batteriet og trykt på låseknappen, må du kontrollere at batteriet igjen klikker på plass i produktet som brukes.

For å få frem en av følgende indikatorer trykker du kort på batteriets utløserknapp.

Ladetilstanden samt eventuelle feil indikeres også hele tiden så lenge det tilkoblede produktet er slått på.

Tilstand	Betydning
Fire (4) lysdioder (LED) lyser konstant grønt	Ladetilstand: 100 % til 71 %
Tre (3) lysdioder (LED) lyser konstant grønt	Ladetilstand: 70 % til 51 %
To (2) lysdioder (LED) lyser konstant grønt	Ladetilstand: 50 % til 26 %
Én (1) lysdiode (LED) lyser konstant grønt	Ladetilstand: 25 % til 10 %
Én (1) lysdiode (LED) blinker langsomt grønt	Ladetilstand: < 10 %
Én (1) lysdiode (LED) blinker raskt grønt	Li-ion-batteriet er helt utladet. Lad batteriet. Hvis lysdioden fortsatt blinker raskt etter at batteriet er ladet, kontakter du Hilti service.
Én (1) lysdiode (LED) blinker raskt gult	Li-ion-batteriet eller det tilkoblede produktet er overbelastet, for varmt eller for kaldt eller det foreligger en annen feil. Bring produktet og batteriet til anbefalt arbeidstemperatur, og ikke overbelast produktet når du bruker det. Hvis meldingen vedvarer, kontakter du Hilti service.
Én (1) lysdiode (LED) lyser gult	Li-ion-batteriet og det tilkoblede produktet er ikke kompatible. Kontakt Hilti service.
Én (1) lysdiode (LED) blinker raskt rødt	Li-ion-batteriet er sperret og kan ikke brukes lenger. Kontakt Hilti service.



3.4.2 Indikering av batteriets tilstand

For å sjekke tilstanden til batteriet holder du utløserknappen inne i over tre sekunder. Systemet registrerer ikke mulige funksjonsfeil på batteriet som følge av skjædesløs bruk, som f.eks. at det er mistet ned, er påført hull eller skader forårsaket av eksterne varmekilder osv.

Tilstand	Betydning
Alle LED-ene lyser som løpelys og deretter lyser én (1) LED konstant grønt.	Batteriet kan brukes videre.
Alle LED-ene lyser som løpelys og deretter blinker én (1) LED raskt gult.	Kartlegging av batteriets tilstand kunne ikke fullføres. Gjenta prosedyren eller kontakt Hilti service.
Alle LED-ene lyser som løpelys og deretter lyser én (1) LED konstant rødt.	Hvis et tilkoblet produkt fortsatt kan brukes, er den gjenværende batterikapasiteten under 50 %. Hvis et tilkoblet produkt ikke lenger kan brukes, er batteriets levetid over og batteriet må skiftes ut. Kontakt Hilti service.

4 Tekniske data

4.1 Produktegenskaper

Nominell spenning	21,6 V
Nominelt tomgangsturtall	4 300 o/min
Sagbladdiameter	305 mm
Stambladtykkelse	0,5 mm ... 1,5 mm
Festehull for sagblad	30 mm
Skjærebredde	3,2 mm
Maksimal horisontal gjæringsvinkel	Høyre ≤ 60°
	Venstre ≤ 52°
Maksimal vertikal gjæringsvinkel	Høyre ≤ 48°
	Venstre ≤ 48°
Maksimal skjærekapasitet uavhengig av andre mål og gjæringsvinkler	Høyde ≤ 100 mm
	Bredde ≤ 360 mm
Vekt	25,6 kg (iht. EPTA-Procedure 01 uten batteri)
Omgivelsestemperatur under drift	-17 °C ... 60 °C
Lagringstemperatur	-20 °C ... 70 °C

4.2 Batteri

Batteriets driftsspenning	21,6 V
Vekt batteri	Se bakerst i bruksanvisningen
Omgivelsestemperatur under drift	-17 °C ... 60 °C
Lagringstemperatur	-20 °C ... 40 °C
Batteritemperatur ved ladestart	-10 °C ... 45 °C

4.3 Støyinformasjon og vibrasjonsverdier iht. EN 62841

Lydtrykk- og vibrasjonsverdiene som er angitt i denne bruksanvisningen, er målt i samsvar med en normert målemetode og kan brukes til sammenligning av elektroverktøy. De egner seg også til en foreløpig vurdering av eksponeringene.

De angitte dataene representerer de viktigste bruksområdene for elektroverktøyet. Men hvis elektroverktøyet brukes til andre formål, med avvikende innsatsverktøy eller med utilstrekkelig vedlikehold, kan dataene avvike. Dette kan øke eksponeringene betraktelig gjennom hele arbeidsperioden.



For å få en nøyaktig vurdering av eksponeringene må man også ta hensyn til tidsrommene da maskinen er slått av eller er i gang, men ikke i drift. Dette kan redusere eksponeringene betraktelig gjennom hele arbeidsperioden.

Fastsett ekstra sikkerhetstiltak for å beskytte operatøren mot effekten av støy og/eller vibrasjoner, for eksempel: Vedlikehold av elektroverktøy og innsatsverktøy, holde hendene varme, organisering av arbeidsprosesser.

Støyinformasjon

Lydeffektnivå (L_{WA})	101 dB(A)
Lydtrykknivå (L_{pA})	90 dB(A)
Usikkerhet (for L_{WA} og L_{pA})	3 dB(A)

Totale vibrasjonsverdier

Vibrasjonsemisjonsverdi	B 22-55	≤ 2,5 m/s ²
	B 22-255	≤ 2,5 m/s ²
Usikkerhet		1,5 m/s ²

4.4 Maksimal skjærekapasitet

De angitte målene i høyde og bredde er avhengig fra hverandre. Verdiene for maksimal mulig høyde og bredde finner du i kapitlet Produktetegninger. → Side 77

Horisontal gjæringsvinkel	Vertikal gjæringsvinkel	Høyde x bredde
0°	0°	100 mm x 355 mm
	22,5° høyre	72 mm x 355 mm
	22,5° venstre	90 mm x 355 mm
	30° høyre	60 mm x 355 mm
	30° venstre	78 mm x 355 mm
	45° høyre	40 mm x 355 mm
	45° venstre	65 mm x 340 mm
	48° høyre	30 mm x 355 mm
	48° venstre	50 mm x 355 mm
45° høyre 45° venstre	0°	100 mm x 250 mm
	45° høyre	40 mm x 250 mm
	45° venstre	62 mm x 250 mm
52° venstre	0°	100 mm x 200 mm
	45° høyre	40 mm x 220 mm
	45° venstre	62 mm x 220 mm
60° høyre	0°	100 mm x 176 mm
	45° høyre	40 mm x 178 mm
	45° venstre	30 mm x 190 mm

5 Klargjøring til arbeidet

ADVARSEL

Fare for personskader på grunn av utilsiktet start!

- ▶ Før batteriet settes i, må det kontrolleres at det tilhørende produktet er slått av.
- ▶ Fjern batteriet før du foretar maskininnstillinger eller skifter tilbehørsdeler.

Følg sikkerhetshenvisningene og advarslene i denne dokumentasjonen og på produktet.

5.1 Montere låseknot

Dreibordets låseknot er ikke montert når sagen leveres. Den må monteres før sagen tas i bruk.

- ▶ Skru låseknoten inn i dreibordets arm.



5.2 Lade batteriet

1. Les bruksanvisningen for laderen før lading.
2. Kontaktene på batteriet og laderen må være rene og tørre.
3. Lad opp batteriet i en godkjent lader. → Side 76

5.3 Sette i batteri

ADVARSEL

Fare for personskader på grunn av kortslutning eller ved at batteriet faller ned!

- ▶ Forsikre deg om at det ikke er fremmedlegemer ved kontaktene på batteriet og kontaktene på produktet før du setter batteriet inn i maskinen.
- ▶ Kontroller at batteriet alltid går riktig i inngrep.

1. Lad batteriet helt opp før første gangs bruk.
2. Skyv batteriet inn i produktet til det klikker hørbart på plass.
3. Kontroller at batteriet sitter godt fast.

5.4 Ta ut batteri

1. Trykk på batteriets opplåsningsknapp.
2. Trekk batteriet ut av produktet.

5.5 Montere produktet

Produktet må festes på en plan og stabil overflate.

1. Plasser produktet på en plan og stabil overflate.
2. Skru produktet fast til arbeidsflaten gjennom festehullene. Bruk egnede skruer til dette.
3. Spenn alternativt maskinføttene fast til arbeidsflaten med vanlige skrutvinger.



Hilti tilbyr også et stativ som tilleggsutstyr, som produktet kan monteres på for å brukes mobilt.

5.6 Sette i arbeidsstilling

1. Trykk saghodet litt ned og trekk ut transportsikringen.
2. Før saghodet kontrollert oppover.

5.7 Støavsug

5.7.1 Montere støvpose

Støvposen gjør det mulig å arbeide renslig og samler opp en stor prosentdel av støvet som oppstår.

- ▶ Sett støvposen på avsugsstussen.

5.7.2 Koble til støvsuger

Støvsugeren må være egnet for materialet som skal bearbeides. Bruk en egnet spesialstøvsuger ved oppsuging av helsefarlige, kreftfremkallende eller tørt støv.

- ▶ Koble sugeslangen til avsugsstussen.

5.8 Montere sagblad

Kontroller at sagbladet som skal festes på sagen oppfyller de tekniske kravene og at det er skarpt. Et skarpt sagblad er en forutsetning for at sagsnittet blir riktig.

1. Rengjør festeflensen og spennflensen.
2. Sett festeflensen på drivspindelen i riktig retning **(1)**.
3. Åpne pendelverndekeaset **(2)**.
4. Sett inn det nye sagbladet.



Følg rotasjonsretningspilen **(3)** på sagbladet og produktet. De må stemme overens.



5. Sett på den ytre spennflensen i riktig retning **(4)**.
6. Skru inn spennskruen.
7. Sett unbrakonøkkelen på spennskruen til sagbladet.
8. Trykk på og hold inne spindellåsknappen **(5)**.
9. Trekk til spennskruen med unbrakonøkkelen **(6)**.
10. Kontroller at sagbladet sitter som det skal.
11. Kontroller om sagbladet løper fritt. Sagbladet må ikke komme i kontakt med andre deler av sagen i forbindelse med innstilling (horisontal og/eller vertikal gjæringsvinkel).
12. Sett unbrakonøkkelen i det tilhørende festet.

5.9 Demontere sagblad

ADVARSEL

Forbrennings- og kuttfare på sagblad, spennskruer og spennflens Resultatet kan bli forbrenninger og kuttskader.

- Bruk arbeidshansker ved bytte av verktøy.

1. Trykk på og hold inne spindellåsknappen **(1)**.
2. Løs spennskruen med unbrakonøkkelen **(2)**.
3. Fjern spennskruen og spennflensen **(3)**.
4. Åpne pendelverndekelet **(4)** og fjern sagbladet **(5)**.



Ved behov kan festeflensen tas av for rengjøring.

6 Betjening

Følg sikkerhetsanvisningene og advarslene i denne dokumentasjonen og på produktet.

6.1 Låse/løsne uttrekket

Uttrekket kan låses på et ønsket sted.

1. For å låse uttrekket skrur du låseskruen **(1)** med urviserne.
 - Låseskruen klemmer fast glidestangen, slik at glidebevegelsen hindres.
2. For å løsne uttrekket skrur du låseskruen **(1)** mot urviserne.

6.2 Stille inn snittdybden på dybdeanlegget

Bruk dybdeanlegget hvis du for eksempel vil sage en not eller et spor.

1. Sving anleggsplaten **(1)** til dybdeanlegget slik at dybdeanlegget ikke går gjennom åpningen når saghodet senkes.
2. Still inn ønsket snittdybde ved hjelp av skruen med riflet hode **(2)**.
3. Hvis du ikke lenger vil begrense snittdybden, svinger du anleggsplaten **(1)** slik at dybdeanlegget går gjennom åpningen når du senker saghodet.

6.3 Forlenge sagbordet

ADVARSEL

Fare for personskade på grunn av lange arbeidsemner. Lange arbeidsemner kan vippe ukontrollert ned under sagingen, løfte opp beskyttelsesskjermen, sette sagbladet i klem og føre til rekyl.

- Støtt opp lange arbeidsemner med sagbukker eller sammenlignbar understøttelse.

Sagbordets bæreflate kan utvides ved hjelp av tilleggsunderlag på høyre og/eller venstre side.

1. Åpne utløserhendelen for tilleggsunderlaget **(1)**.
2. Trekk ut tilleggsunderlaget **(2)**.
3. Lås utløserhendelen for tilleggsunderlaget **(1)**.
4. Gjenta om nødvendige punktene for det motstående tilleggsunderlaget.



6.4 Stille inn øvre gjæringsanlegg 3, 9

Avhengig av innstillingen av den horisontale og/eller vertikale gjæringsvinkelen må de øvre gjæringsanleggene trekkes utover eller fjernes helt.

1. Åpne utløserhendelen (1) for det øvre gjæringsanlegget på venstre eller høyre side.
2. Trekk det øvre gjæringsanlegget (2) så langt som nødvendig utover, eller fjern gjæringsanlegget.
3. Lukk utløserhendelen (1).
 - ▶ Monter det øvre gjæringsanlegget i den innerste posisjonen igjen når du vil utføre rette snitt.
4. Hvis det øvre gjæringsanlegget ble fjernet, kan det også festes på glidestengene til tilleggsunderlaget for å oppbevare det på en sikker måte under sagingen.

6.5 Stille inn horisontal gjæringsvinkel 10

ADVARSEL

Fare for personskade på grunn av at dreiebord ikke er låst. Hvis dreiebordet ikke er låst, kan det dreie ut av stilling under saging, kile fast arbeidsemnet og dermed forårsake rekyl.

- ▶ Trekk alltid til dreiebordets låseknotte før du sager.

Betingelser: Standard gjæringsvinkler

For at du raskt og presist skal kunne stille inn ofte benyttede horisontale gjæringsvinkler, er det plassert hakk på skalaen for horisontal gjæringsvinkel. I disse hakkene kan dreiebordet låses i inngrep.

Låseposisjoner for horisontal gjæringsvinkel

Venstre	Midten	Høyre
45°; 31,6°; 22,5°; 15°	0°	15°; 22,5°; 31,6°; 45°; 60°

- ▶ Løs eventuelt dreiebordets låseknotte (2).
- ▶ Trekk dreiebordets utløserhendel (1) opp og hold den der. Drei på dreiebordet til det befinner seg like før den ønskede horisontale gjæringsvinkelen (3).
- ▶ Slipp dreiebordets utløserhendel og drei dreiebordet videre til den ønskede horisontale gjæringsvinkelen, til låsen går i inngrep.
- ▶ Trekk til dreiebordets låseknotte (2).

Betingelser: Ønsket horisontal gjæringsvinkel

Utenom standardgjæringsvinklene kan du stille inn horisontal gjæringsvinkel helt etter eget ønske.

- ▶ Løs eventuelt dreiebordets låseknotte (2).
- ▶ Trekk dreiebordets utløserhendel (1) opp og lås den fast (4).
- ▶ Still inn dreiebordet på ønsket horisontal gjæringsvinkel (3).
- ▶ Trekk til dreiebordets låseknotte (2).

6.6 Stille inn vertikal gjæringsvinkel 11

ADVARSEL

Fare for personskade på grunn av at helling ikke er låst. Hvis innstillingen av den vertikale gjæringsvinkelen ikke er låst, kan saghodet vippe ned under sagingen og føre til rekyl.

- ▶ Etter å ha foretatt en innstilling, skal du alltid trykke utløserhendelen for vertikal gjæringsvinkel helt ned for å låse hellingen.

FORSIKTIG

Fare for personskade på grunn av øvre gjæringsanlegg. Når den vertikale gjæringsvinkelen er stilt inn, kan sagbladet kollidere med de øvre gjæringsanleggene og føre til skade og rekyl.

- ▶ Kontroller at sagbladet løper fritt etter hver innstilling av den vertikale gjæringsvinkelen og still de øvre gjæringsanleggene så langt som nødvendig utover.

For at du raskt og presist skal kunne stille inn ofte benyttede vertikale gjæringsvinkler, kan saghodet låses i flere posisjoner.



Låseposisjoner for vertikal gjæringsvinkel

Venstre	Midten	Høyre
45°; 33,9°; 22,5°	0°	22,5°; 33,9°; 45°

- ▶ Trekk utløserhendelen for vertikal gjæringsinnstilling opp for å løse den **(2)**.
- ▶ Trekk utløserhendelen for vertikal gjæringsinnstilling helt opp for å kunne bevege saghodet fritt **(3)**.
- ▶ Slipp utløserhendelen og vipp saghodet til låsen går i inngrep.
 - ▶ Saghodet kan låses i hver av de ovennevnte posisjonene.
- ▶ Trykk deretter utløserhendelen helt ned **(1)** for å låse saghodet i den innstilte posisjonen.
- ▶ Når du vil stille inn en ønsket vertikal gjæringsvinkel, holder du utløserhendelen for vertikal gjæringsinnstilling i den øverste posisjonen **(3)** til du har nådd den ønskede vertikale gjæringsvinkelen.
- ▶ Trykk deretter utløserhendelen helt ned **(1)** for å låse saghodet i den innstilte posisjonen.
- ▶ Still inn de øvre gjæringsanleggene slik at de ikke kolliderer med sagbladet. → Side 81

6.7 Aktivere snittlinjeindikatoren

Sagen er utstyrt med en snittlinjeindikator. En LED i saghodet lyser opp arbeidsområdet og genererer en skygge via sagbladet, slik at snittlinjen vises nøyaktig.

1. Aktiver av/på-bryteren, uten å trykke på innkoblingsperren.
 - ▶ LED-en aktiveres.
2. Før saghodet nedover.
 - ▶ Skyggen fra sagbladet vises på arbeidsemnet og indikerer snittlinjen.
3. Tilpass eventuelt arbeidsemnet eller innstillingen av den horisontale og/eller vertikale gjæringsvinkelen til snittlinjen.

6.8 Plassere og feste arbeidsemnet **12**, **13**, **14**

ADVARSEL

Fare for personskade på grunn av forvridd arbeidsemne i tre. Et forvridd og/eller krummet arbeidsemne kan kile seg fast i sagbladet og føre til rekyll.

- ▶ Plasser alltid forvridde eller krummede arbeidsemner med siden som buer utover mot gjæringsanlegget. Plasser aldri et arbeidsemne slik at det blir en luftspalte mellom arbeidsemnet og gjæringsanleggene.

ADVARSEL

Fare for personskade på grunn av feilaktig posisjonering av arbeidsemnet. Et feilposisjonert arbeidsemne kan kile seg fast i sagbladet og føre til rekyll.

- ▶ Plasser alltid arbeidsemnet slik at det ligger an med størst mulig kontaktflate mot dreiebord, underlag og gjæringsanlegg.

ADVARSEL

Fare for personskade på grunn av usikret arbeidsemne! Hvis arbeidsemnet ikke sikres forsvarlig mot gjæringsanlegget, kan arbeidsemnet forskyve seg under sagingen og eventuelt skade sagbladet. Dette kan føre til at arbeidsemnet slynges ut og tap av kontroll.

- ▶ Arbeidsemnet må sikres fast mot dreiebordet og gjæringsanlegget med skrutvingen ved alle sageoperasjoner.

ADVARSEL

Fare for personskade på grunn av kontakt mellom deler av sagen og skrutvingen! Sagbladet kan bli skadet hvis det kommer i kontakt med skrutvingen. Verneinnretninger kan bli hindret av skrutvingen slik at de ikke fungerer fullt ut som de skal. Saghodets bevegelse kan bli hemmet av skrutvingen, noe som kan føre til rekyll.

- ▶ Gjør et forsøk på den antatte bevegelsen med sagen avslått. Forsikre deg om at ingen deler av sagen kommer i kontakt med skrutvingen.
- ▶ Flytt eventuelt skrutvingen til et annet sted på sagen.
- ▶ Trykk på skrutvingens utløserknapp **(2)** og trekk gjengestangen helt opp.
- ▶ Stikk skrutvingen i en av de tilhørende åpningene **(1)**.
- ▶ Trykk arbeidsemnet hardt mot det nedre gjæringsanlegget.
- ▶ Trykk på skrutvingens utløserknapp for raskt å tilpasse gjengestangen til arbeidsemnet **(2)**.



- ▶ Vipp skrutvingen bakover, mot posisjonen til gjengestangen (3). Trekk deretter til gjengestangen med urviserne og spenn på den måten fast arbeidsemnet (4).
 - ▶ For å løsne arbeidsstykket skrur du gjengestangen mot urviserne. Trykk deretter på skrutvingens utløserknapp og trekk gjengestangen helt opp.

6.9 Stille inn turtallet

- ▶ Still inn ønsket turtall med innstillingshjulet for turtall.

6.10 Slå på / av

ADVARSEL

Fare for personskade som følge av rekyll.

- ▶ Slå bare på sagen når sagbladet ikke berører arbeidsemnet.

ADVARSEL

Fare for personskade som følge av rekyll.

- ▶ La saghodet være i den nederste posisjonen til sagbladet har stanset helt opp etter at du har slått av sagen.

1. Trykk på innkoblingssperren og hold den inne.
2. Trykk på av/på-bryteren og hold den inne.
 - ▶ Sagen går.
3. For å slå av sagen, slipper du av/på-bryteren.

6.11 Sage

ADVARSEL

Fare for personskade på grunn av feilposisjonering av hender og armer. Ved feilposisjonering kan det roterende sagbladet treffe armer og hender og forårsake alvorlige personskader.

- ▶ Kryss aldri armene ved saging. Kryss aldri snittlinjen med en arm eller hånd.
- ▶ Hold armer og hender utenfor det merkede fareområdet til høyre og venstre for sagbladet.

Riktig kroppsholdning og håndstilling under arbeidet med gjærings-sagen gjør sagingen enklere, mer presis og sikrere.

Stå støtt med begge føttene på gulvet. Følg gjæringsarmen når du beveger den mot venstre og høyre, og stå litt til side for sagbladet.

Sørg for at fareområdet på 230 mm til venstre for og 270 mm til høyre for sagbladet holdes fritt for hindringer. Hold hender, armer og andre kroppsdeler borte fra dette fareområdet.

Hold hendene i posisjon til du har sluppet av/på-bryteren og sagbladet har stanset helt opp.



Trykk saghodet sakte og kontrollert ned for å utføre snittet. Hvis du trykker for hardt eller utøver kraft fra siden i forhold til snittlinjen, kan sagbladet begynne å vibrere slik at det dannes ekstra sagmerker i arbeidsemnet og snittpresisjonen kan bli svekket.

6.11.1 Sage uten skyvebevegelse (kapping)

ADVARSEL

Fare for personskade på grunn av at uttrekk ikke er låst. Et uttrekk som ikke er låst kan føre til at saghodet glir uventet og forårsaker en rekyll.

- ▶ Lås alltid uttrekket ved kappsaging.

1. Skyv saghodet helt bak (bort fra deg).
2. Lås uttrekket. → Side 80
3. Still inn dybdeanleggets anleggsplate slik at dybdeanlegget går gjennom åpningen når saghodet senkes. → Side 80
4. Tilpass alle innstillinger av sagen (vinkel, gjæringsanlegg, bæreflate) til kravene som det aktuelle snittet stiller.
5. Sikre arbeidsemnet. → Side 82



6. Slå på sagen. → Side 83
7. Før saghodet langsomt nedover og sag gjennom arbeidsemnet med jevn fremføring.
8. Slå av sagen og vent til sagbladet har stanset helt opp.
9. Før saghodet tilbake til øvre posisjon.

6.11.2 Sage med skyvebevegelse



ADVARSEL

Rekyl som følge av at saghodet beveger seg feil. Hvis saghodet beveger seg feil under saging med skyvebevegelse, kan det forårsake en rekyl.

- ▶ Før saging skal du først alltid trekke saghodet helt ut, deretter senke det og så skyve det i retning gjæringsanleggene.
- ▶ Trekk aldri saghodet mot deg hvis sagbladet allerede befinner seg i arbeidsemnet.



Ved saging med skyvebevegelse skyver du saghodet sakte og uten stopp mot gjæringsanlegget. Hvis skyvebevegelsen avbrytes under sagingen, etterlater sagbladet merker i arbeidsemnet og snittpresisjonen svekkes.

1. Løsne eventuelt uttrekket. → Side 80
2. Still inn dybdeanleggets anleggsplate slik at dybdeanlegget går gjennom åpningen når saghodet senkes. → Side 80
3. Tilpass alle innstillinger av sagen (vinkel, gjæringsanlegg, bæreflate) til kravene som det aktuelle snittet stiller.
4. Sikre arbeidsemnet. → Side 82
5. Trekk saghodet helt mot deg.
6. Slå på sagen. → Side 83
7. Før saghodet langsomt nedover.
8. Hold saghodet i den nederste posisjon og skyv det langsomt bakover (fra deg). Sag gjennom arbeidsemnet med jevn fremføring.
9. Slå av sagen og vent til sagbladet har stanset helt opp.
10. Før saghodet tilbake til øvre posisjon.

6.11.3 Sage not

1. Still inn dybdeanlegget på ønsket snittdybde. → Side 80
2. Utfør et snitt med skyvebevegelse. → Side 84

6.11.4 Sage profillister



ADVARSEL

Fare for personskade på grunn av feilaktig sikring av arbeidsemnet. Et feilaktig sikret arbeidsemne kan kile seg fast i sagbladet og føre til rekyl.

- ▶ Når du plasserer profillisten mot gjæringsanlegget, må du være ekstra påpasselig med å sikre profillisten tilstrekkelig mot forskyvning. → Side 82

Profillister kan sages på to forskjellige måter:

- Plassert mot gjæringsanlegget
- Liggende flatt på sagbordet
- ▶ Avhengig av bredden på profillisten utfører du snittet med eller uten skyvebevegelse.
- ▶ Test først de innstilte horisontale og/eller vertikale gjæringsvinklene på avfallsvirke.

7 Pleie og vedlikehold



ADVARSEL

Fare for personskader på grunn av isatt batteri !

- ▶ Ta alltid ut batteriet før stell og vedlikeholdsarbeid!

Pleie av produktet

- Fjern forsiktig gjenstridig smuss.



- Rengjør ventilasjonsåpningene forsiktig med en tørr og myk børste.
- Rengjør huset bare med en lett fuktet klut. Ikke bruk silikonholdige pleiemidler, ettersom dette kan angripe plastdelene.
- Bruk en ren og tørr klut til å rengjøre kontaktene på produktet.
- Rengjør glidestengene til uttrekket og tilleggsunderlagene regelmessig. Påfør noen dråper olje på alle glidestenger etter hver rengjøring.
- Rengjør kontaktflatene til de øvre gjæringsanleggene regelmessig. Smør kontaktflatene etter behov.

Pløie av li-ion-batterier

- Bruk aldri et batteri med tilstoppede ventilasjonsåpninger. Rengjør ventilasjonsåpningene forsiktig med en tørr og myk børste.
- Unngå at batteriet unødig utsettes for støv eller smuss. Ikke utsett batteriet for høy fuktighet (f.eks. ved å dyppe det i vann eller la det stå ute i regnet). Hvis et batteri blir gjennomvått, må det behandles som et skadet batteri. Isoler det i en ikke-brennbar beholder, og kontakt **Hilti** service.
- Hold batteriet fritt for fremmed olje og fett. Ikke la unødig støv eller smuss samle seg på batteriet. Rengjør batteriet med en tørr og myk børste eller en ren og tørr klut. Ikke bruk silikonholdige pleiemidler, ettersom dette kan angripe plastdelene. Ikke berør kontaktene på batteriet, og ikke fjern fett som er smurt på kontaktene fra fabrikkens side.
- Rengjør huset bare med en lett fuktet klut. Ikke bruk silikonholdige pleiemidler, ettersom dette kan angripe plastdelene.

Vedlikehold

- Kontroller alle synlige deler regelmessig mht. skade og alle betjenings-elementer mht. feilfri funksjon.
- Ved skader og/eller funksjonsfeil må produktet ikke brukes. Få produktet omgående reparert av **Hilti** service.
- Monter alle verneinnretninger etter pleie- og vedlikeholdsarbeid, og kontroller at de fungerer som de skal.



Av hensyn til sikkerheten må du bare bruke originale reservedeler og forbruksmateriell. Reservedeler, forbruksmateriell og tilbehør som er godkjent av **Hilti**, finner du i nærmeste **Hilti Store** eller under: www.hilti.group

7.1 Rengjøring av verneinnretninger

1. Demonter sagbladet. → Side 80
2. Rengjør verneinnretningene forsiktig med en tørr børste.
3. Fjern avleiringer og spon på innsiden av verneinnretningene med egnet verktøy.
4. Monter sagbladet. → Side 79

7.2 Rengjøre avsugsadapter og forbindelsesslange **17**

1. Fjern støvposen eller støvsugerens tilkoblede sugeslange.
2. Løs forbindelsesslangens festeskruer på saghodet **(1)**.
3. Trekk forbindelsesslangen av saghodet **(2)** og avsugsadapteren.
4. Tøm forbindelsesslangen og rengjør den med en tørr børste.
5. Rengjør sponkanalen på saghodet og avsugsadapteren med en tørr børste.
6. Sett på igjen forbindelsesslangen på avsugsadapteren og saghodet.
7. Trekk til forbindelsesslangens festeskruer på saghodet.
8. Monter støvposen eller koble til igjen støvsugeren. → Side 79

7.3 Tømme støvposen **18**

1. Trekk støvposen av innsugsadapteren.
2. Åpne glidelåsen på støvposen og kast innholdet på riktig måte.
3. Lukk glidelåsen på støvposen.
4. Monter støvposen på avsugsadapteren igjen. → Side 79

7.4 Kontrollere og justere innstillinger og indikeringsanordninger

Kapp- og gjæringsdagen er nøye innstilt og justert fra fabrikkens side. Etter intensiv bruk eller rff behandling kan det imidlertid være nødvendig å kontrollere og eventuelt justere sagens innstillinger og indikeringsanordninger.



Det kreves erfaring og spesialverktøy for å kontrollere og justere sagen.

Hilti anbefaler at du kun får justert sagen av **Hilti** service.



Unngå at sagtannspissene kommer i kontakt med vinkellæret i forbindelse med kontroll- og innstillingsarbeider. Det vil føre til feilmåling. Vinkellæret må alltid stemme overens med stambladet.

7.4.1 Kontrollere vertikal gjæringsvinkel

1. Skyv saghodet helt bak (bort fra deg).
2. Still inn dybdeanleggets anleggsplate slik at dybdeanlegget går gjennom åpningen når saghodet senkes.
→ Side 80
3. Still den horisontale gjæringsvinkelen på 0°.
4. Trykk saghodet ned og skyv inn transportsikringen for å låse fast saghodet.
5. Still den vertikale gjæringsvinkelen på 0°.
6. Still et vinkellære på 90°.
7. Plasser vinkellæret loddrett og helt an mot sagbordet.
8. Beveg vinkellæret mot sagbladet.
 - ▶ Vinkellæret må flukte med sagbladet hele veien.
9. Still den vertikale gjæringsvinkelen på 45° mot høyre.
10. Still vinkellæret på 45° (alternativt 135° for å måle den venstre siden).
11. Plasser vinkellæret loddrett og helt an mot sagbordet.
12. Beveg vinkellæret mot sagbladet.
 - ▶ Vinkellæret må flukte med sagbladet hele veien.
13. Gjenta punktene for den vertikale gjæringsvinkelen 45° mot venstre.

Resultat 1 / 2

Vinkellæret skal flukte med sagbladet hele veien ved de tre målingene.

- ▶ Sagen er riktig justert.

Resultat 2 / 2

Vinkellæret og sagbladet flukter ikke ved en eller flere målinger.

- ▶ Kontakt **Hilti** service.

7.4.2 Justere viseren for den vertikale gjæringsvinkelen

1. Kontroller om den vertikale gjæringsvinkelen er helt nøyaktig. → Side 86
2. Still den vertikale gjæringsvinkelen på 0°.
3. Løs festeskruen til den ene viseren for vertikal gjæringsvinkel og still den eksakt på 0°.
4. Trekk til igjen festeskruen for hånd. Hold samtidig viseren eksakt på verdien 0°.
5. Gjenta eventuelt punktet for den andre viseren for vertikal gjæringsvinkel.
6. Kontroller om den faktiske vertikale gjæringsvinkelen og de to viserne for vinklene 45° mot høyre og 45° mot venstre stemmer overens.
 - ▶ Hvis en viser ikke stemmer overens med den faktiske vinkelen på et ett eller flere steder under kontrollen og ikke kan justeres tilstrekkelig, kontakter du **Hilti** service.

7.4.3 Kontrollere horisontal gjæringsvinkel

1. Skyv saghodet helt bak (bort fra deg).
2. Still inn dybdeanleggets anleggsplate slik at dybdeanlegget går gjennom åpningen når saghodet senkes.
→ Side 80
3. Still den vertikale gjæringsvinkelen på 0°.
4. Trykk saghodet ned og skyv inn transportsikringen for å låse fast saghodet.
5. Still den horisontale gjæringsvinkelen på 0°.
6. Still et vinkellære på 90°.
7. Legg vinkellæret flatt på sagbordet og helt inntil gjæringsanlegget.
8. Beveg vinkellæret mot sagbladet.
 - ▶ Vinkellæret må flukte med sagbladet hele veien.
9. Still den horisontale gjæringsvinkelen på 45° mot høyre.
10. Still vinkellæret på 45° (alternativt 135° for å måle den venstre siden).
11. Legg vinkellæret flatt på sagbordet og helt inntil gjæringsanlegget.
12. Beveg vinkellæret mot sagbladet.
 - ▶ Vinkellæret må flukte med sagbladet hele veien.



13. Gjenta punktene for den horisontale gjæringsvinkelen 45° mot venstre.

Resultat 1 / 2

Vinkellæret skal flukte med sagbladet hele veien ved de tre målingene.

- ▶ Sagen er riktig justert.

Resultat 2 / 2

Vinkellæret og sagbladet flukter ikke ved en eller flere målinger.

- ▶ Juster den horisontale gjæringsvinkelen eller kontakt **Hilti** service. → Side 87

7.4.4 Justere horisontal gjæringsvinkel og skala 20

1. Lås dreiebordet i posisjonen 0°.
2. Løs dreiebordets låseknot.
3. Løs de fire festeskruene på skalaen for den horisontale gjæringsvinkelen.
4. Still et vinkellære på 90°.
5. Legg vinkellæret flatt på sagbordet og helt inntil gjæringsanlegget.
6. Beveg vinkellæret mot sagbladet. Juster dreiebordet og skalaen for horisontal gjæringsvinkel ved hjelp av vinkellæret.
 - ▶ Vinkellæret må flukte med sagbladet hele veien.
7. Trekk til dreiebordets låseknot for å hindre at dreiebordet beveger seg.
8. Trekk til de fire festeskruene på skalaen for den horisontale gjæringsvinkelen.
9. Kontroller den horisontale gjæringsvinkelen 45° mot høyre og 45° mot venstre. → Side 86

Resultat 1 / 2

Vinkellæret skal flukte med sagbladet hele veien ved de horisontale gjæringsvinklene 45° mot høyre og 45° mot venstre.

- ▶ Sagen er riktig justert.

Resultat 2 / 2

Vinkellæret og sagbladet flukter ikke ved en eller flere målinger.

- ▶ Kontakt **Hilti** service.

7.4.5 Justere viseren for den horisontale gjæringsvinkelen 21

1. Kontroller om den horisontale gjæringsvinkelen er helt nøyaktig. → Side 86
2. Juster eventuelt den horisontale gjæringsvinkelen. → Side 87
3. Still den horisontale gjæringsvinkelen på 0°.
4. Løs festeskruen til den ene viseren for horisontal gjæringsvinkel og still den eksakt på 0°.
5. Trekk til igjen festeskruen for hånd. Hold samtidig viseren eksakt på verdien 0°.
6. Gjenta eventuelt punktet for den andre viseren for horisontal gjæringsvinkel.
7. Kontroller om den faktiske horisontale gjæringsvinkelen og de to viserne for vinklne 45° mot høyre og 45° mot venstre stemmer overens.
 - ▶ Hvis en viser ikke stemmer overens med den faktiske vinkelen på et ett eller flere steder under kontrollen og ikke kan justeres tilstrekkelig, kontakter du **Hilti** service.

7.5 Skifte støvfanger 22



ADVARSEL

Fare for personskade som følge av feilmontert avviser. Hvis en avviser monteres feil vei, kan sagbladet komme i klem. Da kan avviseren eller sagbladet knekke og deler av dem bli slynget ut.

- ▶ Pass på å montere avviseren riktig vei. Den fjærbelastede delen av avviseren skal vende bort fra sagbladet.

1. Løs festeskruene **(1)** på den ene siden og ta av avviseren **(3)**.
2. Løs festeskruene på motsatt side og ta av den andre avviseren og støvfangeren **(2)**.
3. Sett på den nye støvfangeren **(2)** og en avviser **(3)**.
 - ▶ Pass på å plassere avviseren riktig.
4. Skru på begge delene med festeskruene.
5. Skru fast den andre avviseren og støvfangeren på motsatt side.
 - ▶ Pass på å plassere avviseren riktig.
 - ▶ Kontroller at støvfangeren og begge avviserne er forsvarlig festet.



7.6 Skifte slisseplater **23**

Slisseplatene er slik innstilt fra fabrikkens side at de ikke kommer i kontakt med sagbladet. Likevel er slisseplatene utsatt for en viss slitasje. **Hilti** tilbyr slisseplater som reservedel. De kan raskt og enkelt skiftes av brukeren.

1. Skru ut alle festeskruene på slisseplatene og kasser de slitte slisseplatene.
2. Sett inn nye slisseplater.
3. Trekk festeskruene løst til, slik at slisseplatene fortsatt kan beveges.
4. Posisjoner slisseplatene slik at sagbladet ikke kan komme i kontakt med dem.
 - ▶ Kontroller først og fremst den maksimale vertikale gjæringsvinkelen mot høyre og venstre.
 - ▶ Kontroller også alle andre horisontale og vertikale gjæringsvinkler.
5. Trekk til alle festeskruer for hånd etter utført innstilling.

8 Transport og lagring av batteriverktøy og batterier **24, 25**

Transport av kapp- og gjæringsagen

Gjør som beskrevet nedenfor før du transporterer sagen:

- ▶ Skyv saghodet helt bak (bort fra deg).
- ▶ Lås uttrekket. → Side 80
- ▶ Still inn dybdeanleggets anleggsplate slik at dybdeanlegget går gjennom åpningen når saghodet senkes. → Side 80
- ▶ Still den vertikale gjæringsvinkelen på 0°.
- ▶ Trykk saghodet ned og skyv inn transportsikringen for å låse fast saghodet.
- ▶ Skyv eventuelt tilleggsunderlagene helt inn. → Side 80
- ▶ Still den horisontale gjæringsvinkelen helt mot høyre (60°) og lås dreiebordet.
- ▶ Fjern alle tilbehørsdeler (f.eks, skrutinge), som ikke kan monteres fast på sagen.
- ▶ Ta om nødvendig ut låseknotten og klem den inn i holderne på baksiden av det øvre gjæringsanlegget.

Bær bare sagen etter punktene beregnet på dette:

- Grepsfordypninger under tilleggsunderlagene **(1)**
- Grepsfordypning bak ved siden av støvavsuet **(2)**
- Håndtak på saghodet **(3)**

Transport av batterier

FORSIKTIG

Utilsiktet start under transport !

- ▶ Transporter alltid produktene dine uten batterier!
- ▶ Ta ut batteri(er).
- ▶ Batterier må aldri transporteres løst. Under transport må batteriene beskyttes mot kraftige støt og vibrasjoner og isoleres fra ledende materialer og andre batterier, slik at de ikke kan komme i kontakt med andre batteripoler og dermed forårsake kortslutning. **Følg lokale transportforskrifter for batterier.**
- ▶ Batterier må ikke sendes i posten. Kontakt et transportfirma hvis du vil sende uskadde batterier.
- ▶ Kontroller produkt og batterier med henblikk på skader før hver bruk samt før og etter lengre transport.

Lagring

ADVARSEL

Utilsiktet skade på grunn av defekte batterier eller lekkasje fra batterier !

- ▶ Oppbevar alltid produktene dine uten batterier!
- ▶ Oppbevar produkt og batterier kjølig og tørt. Ta hensyn til temperaturrensene som er angitt under tekniske data.
- ▶ Ikke oppbevar batterier på laderen. Ta alltid batteriet ut av laderen etter lading.
- ▶ Batterier må aldri oppbevares i solen, på varmekilder eller bak glass.
- ▶ Oppbevar produktet og batterier utenfor barns og uvedkommendes rekkevidde.
- ▶ Kontroller produkt og batterier med henblikk på skader før hver bruk samt før og etter lengre tids lagring.



9 Feilsøking

Ta hensyn til batteriets statusindikator ved alle feil. Se kapittelet **Indikator for li-ion-batteriet**. Ved feil som ikke står i denne tabellen eller som du selv ikke kan utbedre, må du kontakte **Hilti service**.

Feil	Mulig årsak	Løsning
Turtallet reduseres kraftig og plutselig.	Utladet batteri.	► Lad batteriet.
	For stor fremføringskraft.	► Reduser fremføringskraften og slå på produktet igjen.
Sagbladet blir stående stille.	For stor fremføringskraft.	► Reduser fremføringskraften og slå på produktet igjen.
Ingen bremsefunksjon for motoren.	Utladet batteri.	► Lad batteriet.
Skjærevinklene er unøyaktige.	Vinkelnøyaktigheten, skalaen eller viserne er feil innstilt.	<ul style="list-style-type: none"> ► Kontroller og juster innstillingene og det som indikeres. → Side 85 ► I tilfelle du ikke kan justere innstillingen selv eller sagens nøyaktighet avviker for mye, kontakt Hilti service.
LED-ene på batteriet indikerer ingenting	Defekt batteri	► Kontakt Hilti service .

10 Kassering

ADVARSEL

Fare for personskade ved ikke-forskriftsmessig kassering! Gasser eller væsker som lekker ut, utgjør en helsefare.

- Ikke send skadde batterier i posten eller på annen måte!
- Dekk til kontaktene med et ikke-ledende materiale for å unngå kortslutning.
- Kasser batterier slik at de er utilgjengelige for barn.
- Lever inn batteriet i nærmeste **Hilti Store**, eller kontakt et lokalt renovasjonsfirma.

Hilti produkter er i stor grad laget av gjenvinnbare materialer. Riktig materialsortering er en forutsetning for gjenvinning. I mange land tar **Hilti** imot ditt gamle apparat for gjenvinning. Spør **Hilti** kundeservice eller forhandleren.



- Kast aldri elektroverktøy, elektronisk utstyr eller batterier i husholdningsavfallet!

11 Produsentgaranti

- Når det gjelder spørsmål om garantibetingelser, ber vi deg kontakte din lokale **Hilti**-partner.

12 Ytterligere informasjon

Du finner mer informasjon om betjening, teknologi, miljø og resirkulering under følgende lenke: qr.hilti.com/manual/?id=2395172&id=2395174

Denne lenken finner du også bakerst i bruksanvisningen i form av en QR-kode.



Alkuperäiset ohjeet

1 Tämän käyttöohjeen tiedot

1.1 Tästä käyttöohjeesta

- Varoitus! Ennen tuotteen käyttämistä varmista, että olet lukenut ja ymmärtänyt tuotteen mukana toimitetun käyttöohjeen ja sen sisältämät ohjeet, neuvot sekä turvallisuus- ja varoitushuomautukset, kuvat ja tekniset erittelyt. Perehdy etenkin kaikkiin ohjeisiin, turvallisuus- ja varoitushuomautuksiin, kuviin, teknisiin erittelyihin sekä tuotteen osiin ja toimintoihin. Ellei määräyksiä, ohjeita ja neuvoja noudateta, aiheutuu sähköiskun, tulipalon ja/tai vakavien vammojen vaara. Säilytä käyttöohje ja kaikki ohjeet sekä turvallisuus- ja varoitushuomautukset myöhempää käyttötarvetta varten.
- Oheinen käyttöohje vastaa tekniikan tasoa painatushetkellä. Katso uusin versio internetistä Hiltin tuotesivustolta. Sinne pääset tässä käyttöohjeessa olevasta linkistä tai QR-koodilla, joka on merkitty symbolilla .
- Varmista, että tämä käyttöohje on mukana, kun luovutat tuotteen toiselle henkilölle.

1.2 Merkkien selitykset

1.2.1 Varoitushuomautukset

Varoitushuomautukset varoittavat tuotteen käyttöön liittyvistä vaaroista. Seuraavia varoitustekstejä käytetään:

VAKAVA VAARA

VAKAVA VAARA !

- ▶ Varoittaa uhkaavasta vaaratilanteesta, josta voi seurauksena olla vakava loukkaantuminen tai jopa kuolema.

VAARA

VAARA !

- ▶ Varoittaa mahdollisesta vaarasta, josta voi seurauksena olla vakava loukkaantuminen tai kuolema.

VAROITUS

HUOMIO !

- ▶ Varoittaa mahdollisesta vaaratilanteesta, josta voi seurata loukkaantuminen tai aineellinen vahinko.

1.2.2 Symbolit käyttöohjeessa

Tässä käyttöohjeessa käytetään seuraavia symboleita:

	Noudata käyttöohjetta
	Toimintaohjeita ja muuta hyödyllistä tietoa
	Kierrätyskelpoisten materiaalien käsittely
	Älä hävitä sähkölaitteita ja akkuja tavallisen sekajätteen mukana
	Hilti Litiumioniakku
	Hilti Laturi

1.2.3 Symbolit kuvissa

Kuvissa käytetään seuraavia symboleita:

2	Nämä numerot viittaavat vastaavaan kuvaan tämän käyttöohjeen alussa.
3	Numerointi kuvissa viittaa tärkeisiin työvaiheisiin tai työvaiheiden kannalta tärkeisiin rakennesosiin. Nämä vastaavasti numeroidut työvaiheet tai rakennesosat korostetaan tekstissä, esimerkiksi (3) .



11	Kohtanumeroita käytetään kuvassa Yleiskuva , ja ne viittaavat kuvatekstien numerointiin kappa- leessa Tuoteyhteenvevo .
	Tämän merkin tarkoitus on kiinnittää erityinen huomiosi tuotteen käyttöön ja käsittelyyn.

1.3 Tuotekohtaiset symbolit

1.3.1 Yleiset symbolit

Symbolit, joita käytetään tässä tuotteessa.

	Tämä tuote tukee iOS- ja Android-alustojen kanssa yhteensopivaa NFC-tekniologiaa.
	Tasavirta
n_0	Nimellisjoutokäyntikierrosluku
	Halkaisija
	Sahanterän mitat
	Älä katso valonlähteeseen.
Li-Ion	Litiumioniakku
	Älä koskaan lyö millään esineellä akkuun. Älä myöskään käytä akkua lyöntityökaluna.
	Älä päästä akkua putoamaan. Älä käytä akkua, johon on kohdistunut isku tai joka on muutoin vaurioitunut.

1.3.2 Kieltoymbolit

Kieltoymbolit viittaavat kiellettyihin toimiin.

	Vaara-alue! Älä vie käsiä, sormia tai käsivarsia tälle alueelle.
--	--

1.3.3 Käsksymbolit

Käsksymbolit viittaavat ehdottoman tarpeellisiin toimiin.

	Käytä kuulosuojaimia
	Käytä suojalaseja

1.4 Tuotetiedot

HILTI -tuotteet on tarkoitettu ammattikäyttöön, ja niitä saa käyttää, huoltaa tai korjata vain valtuutettu, koulutettu henkilö. Käyttäjän pitää olla hyvin perillä käyttöön liittyvistä vaaroista. Tuote ja sen varusteet saattavat aiheuttaa vaaratilanteita, jos kokemattomat henkilöt käyttävät tuotetta ohjeiden vastaisesti tai muutoin asiattomasti.

Tyypimerkinnän ja sarjanumeron löydät tyypikilvestä.

- Kirjoita sarjanumero oheiseen taulukkoon. Tuotteen tiedot tarvitaan, jos esität kysymyksiä myynti- tai huoltoedustajallemme.

Tuotetiedot

Akkujiiirikatkaisusaha	SM 60-22
Sukupolvi	01
Sarjanumero	



1.5 Vaatimustenmukaisuusvakuutus

Valmistaja vakuuttaa, että tässä kuvattu tuote täyttää sitä koskevien voimassa olevien lakien ja standardien vaatimukset. Kuva vaatimustenmukaisuusvakuutuksesta on tämän dokumentaation lopussa.

Tekninen dokumentaatio löytyy tästä:

Hilti Entwicklungsgesellschaft mbH | Zulassung Geräte | Hiltistraße 6 | 86916 Kaufering, DE

2 Turvallisuus

2.1 Sähkötyökaluja koskevat yleiset turvallisuusohjeet

⚠ VAKAVA VAARA Lue kaikki turvallisuus- ja käyttöohjeet, selostukset ja tekniset tiedot, jotka liittyvät tähän sähkötyökaluun. Seuraavien ohjeiden noudattamatta jättäminen saattaa johtaa sähköiskuun, tulipaloon ja/tai vakavaan loukkaantumiseen.

Sääilytä kaikki turvallisuus- ja käyttöohjeet huolellisesti vastaisen varalle.

Turvallisuusohjeissa käytetty käsite ”sähkötyökalu” tarkoittaa verkkokäyttöisiä sähkötyökaluja (joissa verkkojohto) ja akkukäyttöisiä sähkötyökaluja (joissa ei verkkojohtoa).

Työpaikan turvallisuus

- ▶ **Pidä työskentelyalue siistinä ja hyvin valaistuna.** Työpaikan epäjärjestys ja valaisemattomat työalueet voivat johtaa tapaturmiin.
- ▶ **Älä käytä sähkötyökalua räjähdyssaltiliissa ympäristössä, jossa on syttyvää nestettä, kaasua tai pölyä.** Sähkötyökalut synnyttävät kipinöitä, jotka saattavat sytyttää pölyn tai höyryä.
- ▶ **Pidä lapset ja sivulliset loitolla sähkötyökalua käyttäessäsi.** Voit menettää koneen hallinnan huomiosi suuntautuessa muualle.

Sähköturvallisuus

- ▶ **Sähkötyökalun pistokkeen pitää sopia pistorasiaan. Pistoketta ei saa muuttaa millään tavalla. Älä käytä pistorasia-adaptoreita suojamaadotettujen sähkötyökalujen yhteydessä.** Alkuperäisessä kunnossa olevat pistokkeet ja sopivat pistorasiat vähentävät sähköiskun vaaraa.
- ▶ **Vältä koskettamasta sähköä johtaviin pintoihin kuten putkiin, pattereihin, liesiin ja jääkaappeihin.** Sähköiskun vaara kasvaa, jos kehosi maadottuu.
- ▶ **Älä aseta sähkötyökalua alttiiksi sateelle tai kosteudelle.** Veden tunkeutuminen sähkötyökalun sisään lisää sähköiskun vaaraa.
- ▶ **Älä kanna tai ripusta sähkötyökalua verkkojohdostaan äläkä vedä pistoketta irti pistorasiasta johdosta vetämällä. Pidä johto loitolla kuumuudesta, öljystä, terävistä reunoista ja liikkuvista osista.** Vahingoittuneet tai toisiinsa kietoutuneet johdot lisäävät sähköiskun vaaraa.
- ▶ **Kun käytät sähkötyökalua ulkona, käytä ainoastaan ulkokäyttöön soveltuvia jatkojohtoja.** Ulkokäyttöön soveltuvan jatkojohdon käyttö pienentää sähköiskun vaaraa.
- ▶ **Jos sähkötyökalua on välttämätöntä käyttää kosteassa ympäristössä, käytä vikavirtasuojakytintä.** Vikavirtasuojakytimen käyttö pienentää sähköiskun vaaraa.

Henkilöturvallisuus

- ▶ **Ole valpas, kiinnitä huomiota työskentelyysi ja noudata tervettä järkeä sähkötyökalua käyttäessäsi. Älä käytä sähkötyökalua, jos olet väsynyt tai huumeiden, alkoholin tai lääkkeiden vaikutuksen alaisena.** Sähkötyökalua käytettäessä hetkellinenkin varomattomuus saattaa aiheuttaa vakavia vammoja.
- ▶ **Käytä henkilökohtaisia suojavarusteita ja aina suojalaseja.** Henkilökohtaiset suojavarusteet, kuten hengityssuojain, luistamattomat turvajalkineet, kypärä ja kuulosuojaimet, pienentävät oikein käytettyinä loukkaantumisriskiä sähkötyökalun käyttötilanteesta riippuen.
- ▶ **Varo tahatonta käynnistämistä. Varmista, että sähkötyökalu on kytketty pois päältä, ennen kuin liität sen verkkovirtaan ja/tai liität siihen akun, otat sen käteesi tai kannat sitä.** Jos kannat sähkötyökalua sormi käyttökytkimellä tai liität pistokkeen pistorasiaan käyttökytkimen ollessa käyntiasennossa, altistat itsesi onnettomuuksille.
- ▶ **Poista kaikki säätötyökalut ja ruuvitalat, ennen kuin käynnistät sähkötyökalun.** Työkalu tai avain, joka sijaitsee koneen pyörivässä osassa, saattaa johtaa loukkaantumiseen.
- ▶ **Vältä vaikeita työskentelyasentoja. Varmista aina tukeva seisoma-asento ja tasapaino.** Siten voit paremmin hallita sähkötyökalua odottamattomissa tilanteissa.
- ▶ **Käytä työohsi soveltuvia vaatteita. Älä käytä löysiä työvaatteita tai koruja. Pidä hiukset, vaatteet ja käsineet loitolla liikkuvista osista.** Väljät vaatteet, korut ja pitkät hiukset voivat takertua liikkuviin osiin.
- ▶ **Jos pölynpoisto- ja keräilylaitteita voidaan asentaa, sinun on tarkastettava, että ne on liitetty oikein ja että niitä käytetään oikealla tavalla.** Pölynpoistovarustuksen käyttö vähentää pölyn aiheuttamia vaaroja.



- ▶ **Älä tuudittaudu virheelliseen turvallisuuden tunteeseen äläkä laiminlyö sähkötyökaluja koskevia turvallisuusohjeita silloinkaan, kun mielestäsi jo olet kokenut sähkötyökaluun käyttäjä.** Harkitsema- ton ja huolimaton toiminta voi sekunnin murto-osissa johtaa vakaviin loukkaantumisiin.

Sähkötyökaluun käyttö ja käsittely

- ▶ **Älä ylikuormita konetta.** Käytä kyseiseen työhön tarkoitettua sähkötyökaluja. Sopivaa sähkötyökaluja käyttäen työskentelet paremmin ja varmemmin tehoalueella, jolle sähkötyökalu on tarkoitettu.
- ▶ **Älä käytä sähkötyökaluja, jonka käyttökäytin ei toimi.** Sähkötyökalu, jota ei enää voida käynnistää ja pysäyttää käyttökäytimellä, on vaarallinen ja se täytyy korjata.
- ▶ **Irrota pistoke pistorasiasta ja/tai irrota akku ennen kuin muut säätöjä, vaihdat terää tai lisäva- rusteita ja kun lopetat koneen käyttämisen.** Tämä turvatoimenpide estää sähkötyökaluun tahattoman käynnistysriskin.
- ▶ **Säilytä sähkötyökalu poissa lasten ulottuvilta, kun niitä ei käytetä. Älä anna toisten henkilöiden käyttää konetta, elleivät he ole perehtyneet sen käyttöön ja lukeneet käyttöohjeita.** Sähkötyökalu ovat vaarallisia, jos niitä käyttävät kokemattomat henkilöt.
- ▶ **Hoida sähkötyökaluja ja niiden varusteita huolella. Tarkasta, että liikkuvat osat toimivat moit- teettomasti eivätkä ole puristuksissa, ja tarkasta myös, ettei sähkötyökaluissa ole murtuneita tai vaurioituneita osia, jotka saattaisivat haitata sen toimintaa. Korjauta vaurioituneet osat ennen koneen käyttämistä.** Usein loukkaantumisten ja tapaturmien syyinä on sähkötyökaluun laiminlyöty huolto.
- ▶ **Pidä terät terävinä ja puhtaina.** Huolella hoidetut terät, joiden leikkauseunat ovat teräviä, eivät jumitu herkästi, ja niillä työntekeo on kevyempää.
- ▶ **Käytä sähkötyökaluja, lisävarusteita ja tarvikkeita, teriä jne. niiden käyttöohjeiden mukaisesti. Ota tällöin työolosuhteet ja suoritettava työtehtävä huomioon.** Sähkötyökaluun käyttö muuhun kuin sille tarkoitettuun käyttöön saattaa johtaa vaarallisiin tilanteisiin.
- ▶ **Pidä käsikahvat ja tartuntapinnat kuivina, puhtaina, öljyttöminä ja rasvattomina.** Jos käsikahvat tai tartuntapinnat ovat liukkaat, sähkötyökaluun turvallinen käyttö ja hallinta voi yllättävissä tilanteissa olla mahdotonta.

Akkukäyttöisen sähkötyökaluun käyttö ja käsittely

- ▶ **Lataa akku vain valmistajan suositamalla laturilla.** Jos laturi on tarkoitettu vain tietyn akkumallin lataamiseen, palovaara on olemassa, jos laturia käytetään muiden akkujen lataamiseen.
- ▶ **Käytä ainoastaan juuri kyseiseen sähkötyökaluun tarkoitettua akkua.** Jonkun muun akun käyttö saattaa johtaa loukkaantumiseen ja tulipaloon.
- ▶ **Pidä irrallinen akku loitolla metalliesineistä, kuten paperinliittimistä, kolikoista, avaimista, nau- loista, ruuveista tai muista pienistä metalliesineistä, jotka voivat oikosulkea akun liittimet.** Akun liittimien välinen oikosulku saattaa aiheuttaa palovammoja tai johtaa tulipaloon.
- ▶ **Väärästä käytöstä johtuen saattaa akusta vuotaa nestettä, jota ei saa koskettaa. Vältä kosketusta sen kanssa. Tarvittaessa huuhtelee kosketuskohta vedellä. Jos nestettä pääsee silmiin, tarvitaan lisäksi lääkärin apua.** Akusta vuotava neste saattaa aiheuttaa ärsytystä ja palovammoja.
- ▶ **Älä käytä akkua, joka on vaurioitunut tai johon on tehty muutoksia.** Vaurioitunut akku tai akku, jota on muutettu, saattaa käyttäytyä yllättävästi ja aiheuttaa tulipalon, räjähdyksen ja vammoja.
- ▶ **Varjele akkua avotulelta ja korkeilta lämpötiloilta.** Avotuli tai yli 130 °C:n (265 °F) lämpötila voi aiheuttaa räjähdyksen.
- ▶ **Noudata kaikkia akun lataamisesta annettuja ohjeita, ja lataa akku tai akun sisältävä sähkötyökalu aina käyttöohjeessa mainittuja lämpötilarajoja noudattaen.** Akun virheellinen lataaminen tai lataami- nen sallitun lämpötila-alueen lämpötiloita noudattamatta saattaa johtaa akun tuhoutumiseen ja aiheuttaa tulipalovaaran.

Huolto

- ▶ **Anna koulutettujen ammattihenkilöiden korjata sähkötyökaluja ja hyväksy korjauksiin vain alkupe- räisiä varaosia.** Siten varmistat koneen turvallisuuden säilymisen.
- ▶ **Älä koskaan yritä huoltaa vaurioitunutta akkua.** Akkujen kaikki huoltotyöt saa suorittaa vain valmistaja tai sen valtuuttama huoltopiste.

2.2 Jiirikatkaisusahoja koskevat turvallisuusohjeet

- ▶ **Jiirikatkaisusahat on tarkoitettu puun ja puun kaltaisten tuotteiden sahaamiseen; niitä ei voi käyttää rautamateriaalien kuten sauvojen, tankojen, ruuvien jne. sahaamiseen.** Hankaava pöly johtaa liikkuvien osien kuten alemman teräsuojuksen juuttumiseen. Sahauskipinät polttavat alempaa teräsuojusta, asetuslevyä ja muita muoviosia.
- ▶ **Mahdollisuuksien mukaan kiinnitä työkalupale ruuvipuristimilla.** Jos pidät työkalupaleesta kiinni käsin, sinun on pidettävä kätesi aina vähintään 100 mm:n (4 tuumaa) etäisyydellä sahanterän



kummaltakin puolelta. Älä käytä tätä sahaa sellaisten kappaleiden sahaamiseen, jotka ovat liian pieniä ruuvipuristimilla kiinnittämiseen tai käsin paikallaan pitämiseen. Jos kätesi on liian lähellä sahanterää, loukkaantumisvaara on suuri.

- ▶ **Työkappale ei saa päästä liikkumaan, joten se on joko kiinnitettävä puristimilla tai sitä on painettava ohjainta ja pöytää vasten. Älä työnnä työkappaletta sahanterää vasten äläkä koskaan sahaa "vapaalla kädellä".** Irralliset tai liikkumaan pääsevät työkappaleet voivat sinkoutua suurella nopeudella ja aiheuttaa vammoja.
- ▶ **Tönnä saha työkappaleen läpi. Vältä sahan vetämistä työkappaleen läpi. Sahaamista varten nosta sahapää ja vedä se työkappaleen yli vielä sahaamatta. Sitten kytke moottori päälle, käännä sahapää alas ja paina saha työkappaleen läpi.** Vetäen sahattaessa on vaarana, että sahanterä kohoaa työkappaleesta ja sahanteräyksikkö sinkoutuu voimalla kohti käyttäjää.
- ▶ **Älä koskaan aseta käsiäsi ristiin sahauslinjan päälle, älä sahanterän edestä äläkä takaa.** Työkappaleen tukeminen käsien ristiotteella, ts. pitämällä työkappaleesta kiinni oikealta sahanterän vierestä vasemmalla kädellä tai päinvastoin, on erittäin vaarallista.
- ▶ **Sahanterän pyöriessä älä tartu kiinni ohjaimen takaa. Älä koskaan alita käden ja pyöriävän sahanterän välistä 100 mm:n (4 tuumaa) turvaetäisyyttä (koskee sahanterän kumpaankin puolta, esimerkiksi poistaessasi irti sahattua puukappaletta).** Pyöriävän sahanterän läheltä et ehkä huomaa kättäsi, minkä seurauksena voit loukkaantua vakavasti.
- ▶ **Tarkasta työkappale ennen sahaamista. Jos työkappale on taittunut tai kiertynyt, kiinnitä se ulospäin taittunut puoli ohjaimen päin. Varmista aina, ettei sahauslinjalla työkappaleen, ohjaimen ja pöydän välillä ole rakoa.** Taittuneet tai kiertyneet työkappaleet voivat päästä pyörähtämään tai siirtymään, jolloin sahattaessa pyörivä sahanterä voi juuttua. Työkappaleessa ei saa olla nauvoja tai vierasesineitä.
- ▶ **Käytä sahaa vasta, kun pöydällä ei ole työkaluja, puupalasia jne.; pöydällä saa olla vain työkappale.** Pienet jättepalat, irralliset puukappaleet ja muut esineet, joihin pyörivä sahanterä osuu, voivat sinkoutua suurella nopeudella.
- ▶ **Saha aina vain yhtä työkappaletta.** Päällekkäin asetettuja työkappaleita ei saa kiinnitettyä riittävän hyvin tai niistä ei saa pidettyä kiinni riittävän hyvin, joten ne voivat aiheuttaa sahanterän juuttumisen tai päästä liikkumaan.
- ▶ **Ennen käyttämistä varmista, että jiirikatkaisusaha on tasaisella ja tukevalla pinnalla.** Tasainen ja tukeva pinta pienentää jiirikatkaisusahan epävakauden vaaraa.
- ▶ **Suunnittele työn tekeminen. Aina sahanterän kallistusta tai jiiirikulmaa säätäessäsi varmista, että säädettävä ohjain on aina oikein säädetty ja työkappaletta tukeva siten, ettei se kosketa sahanterää tai teräsuojusta.** Simuloi sahaa päälle kytkemättä ja ilman pöydälle laitettua työkappaletta sahanterän koko sahausliike, jotta varmistat, ettei mikään estä sahanterää tai ettei vaarana ole sahausken yltäminen ohjaimen saakka.
- ▶ **Jos työkappale on pöydän yläpintaa leveämpi tai pitempi, varmista työkappaleen riittävä tuenta esimerkiksi pöytäjatkoilla tai sahapukeilla.** Jiirikatkaisusahan pöytä tai leveämmät työkappaleet voivat kantata, jos niitä ei tueta kunnolla. Jos irti sahattu puukappale tai työkappale kantaa, se voi nostaa alemmaa teräsuojusta, tai pyörivä sahanterä voi singota sen.
- ▶ **Älä käytä työkaveria pöytäjatkon korvikkeena tai lisätukena.** Työkappaleen epävakaata tuenta voi johtaa sahanterän juuttumiseen. Työkappale voi sahattaessa myös päästä liikkumaan ja vetämään sinut tai työkaverisi kohti pyöriivää sahanterää.
- ▶ **Irti sahattua kappaletta ei saa painaa pyöriivää sahanterää vasten.** Jos tilaa on käytettävissä vähän, esimerkiksi pitkittäistä sahausta tehtäessä, irti sahattava kappale voi kiilautua sahanterään ja sitten sinkoutua suurella voimalla.
- ▶ **Käytä aina ruuvipuristinta tai soveltuva kiinnitysvälinettä pyöreiden työkappaleiden kuten tankojen ja putkien ruuvilliseen tukemiseen.** Tangot pyrkivät sahattaessa pyörähtämään, jolloin sahanterä voi juuttua ja sen seurauksena työkappaletta ja samalla kättäsi vedetään sahanterää kohti.
- ▶ **Anna sahanterän saavuttaa täysi kierroslukunsa ennen kuin alat sahata työkappaletta.** Näin pienennät työkappaleen sinkoutumisvaaraa.
- ▶ **Jos työkappale puristuu tai sahanterä juuttuu, kytke jiirikatkaisusaha pois päältä. Odota, kunnes kaikki liikkuvat osat ovat pysähtyneet, ja sitten irrota pistoke verkkopistorasiasta ja/tai irrota akku. Sitten poista juuttumisen aiheuttanut materiaali.** Jos tällaisessa juuttumistilanteessa jatkat sahaamista, saatat menettää jiirikatkaisusahan hallinnan, tai jiirikatkaisusaha saattaa vaurioitua.
- ▶ **Sahaamisen lopuksi vapauta käyttökylkin, pidä sahapää alhaalla ja odota sahanterän pysähtymistä ennen irti sahattujen kappaleiden poistamista.** Käden vieminen pysähtyvän, vielä pyöriävän sahanterän lähelle on erittäin vaarallista.



- **Pidä käsikahvasta kunnolla kiinni, kun teet kesken jäävää sahausta tai jos vapautat käyttökytkimen ennen kuin sahapää on saavuttanut ala-asentonsa.** Sahan jarruvaikutuksen seurauksena sahapää saattaa nykäisten liikkua alaspäin, mistä aiheutuu loukkaantumisvaara.

2.3 Muut turvallisuusohjeet

- Käytä vain tuotetta ja lisävarusteita, jotka ovat teknisesti moitteettomassa kunnossa.
- Älä koskaan tee tuotteeseen tai lisävarusteisiin minkäänlaisia muutoksia.
- Putoamaan pääsevät työkalut ja/tai lisävarusteet aiheuttavat loukkaantumisvaaran. Ennen työn aloittamista tarkasta, että akku ja asennettu lisävaruste ovat kunnolla kiinni.
- Hiottaessa, kiillotettaessa, sahattaessa ja porattaessa syntyvä pöly saattaa sisältää vaarallisia kemikaaleja. Niistä esimerkkejä ovat: lyijy tai lyijypitoiset maalit; tiili, betoni ja muut muuraustuotteet, luonnonkivi ja muut siikaatteja sisältävät tuotteet; tietyt puulajit kuten tammi, pyökki ja kemiallisesti käsitellyt puut; asbesti tai asbestia sisältävät materiaalit. Määritä työstettävien materiaalien vaaraluokituksen perusteella käyttäjän ja lähellä olevien henkilöiden altistumisvaara. Ryhdy tarvittaviin toimenpiteisiin altistumisen pitämiseksi turvallisella tasolla, esimerkiksi käytettävä pölynkeräysjärjestelmää tai soveltuvaa hengityssuojainta. Altistumisen määrää pienentäviä yleisluonteisia toimenpiteitä ovat:
 - työn tekeminen hyvin tuulettuvassa tilassa,
 - pitkään kestävä pölyaltistuksen välttäminen,
 - pölyn ohjaaminen pois kasvoilta ja keholta,
 - suojavaatetuksen käyttö ja kehon altistuneiden kohtien pesu vedellä ja saippualla.
- Tuotetta käyttäessään käytä silmäsuojaimia, suojakypärää, kuulosuojaimia ja soveltuvaa hengityssuojainta.
- Pidä työssäsä usein taukoja, joiden aikana tee sormien verenkiertoa parantavia sormivoimisteluliikkeitä. Pitempään jatkuva työnteko saattaa tärinän vuoksi aiheuttaa verenkiertohäiriöitä tai sormien, käsien ja ranteiden hermokipuja.
- Pidä jäähdytysilmaraat aina puhtaina. Jäähdytysilmarakojen peittyminen tai tukkeutuminen aiheuttaa palovaaran!
- Älä päästä käsikahvasta irti, jos olet ohjannut sahapään alas. Ohjaa sahapää aina hallitusti takaisin yläasentoonsa. Sahapään hallitsematon liike aiheuttaa loukkaantumisvaaran.
- Älä käytä tylsiä, murtuneita, taittuneita tai muutoin vaurioituneita sahanteriä. Tylsät sahanterät tai sahanterät, joiden hampaiden suuntaus on väärä, tekevät sahausraosta liian ahtaan, mikä lisää kirkkaa ja sahanterän kiinni tarttumisen vaaraa.
- Älä koskaan poista sahausjäänteitä, lastuja tms. sahausalueelta sahan käydessä. Kytke aina saha ensin pois päältä ja ohjaa sahapää takaisin yläasentoonsa.
- Käytä ainoastaan tuotteelle hyväksytyjä sahanteriä, jotka vastaavat Tekniset tiedot -kohdassa ja/tai tuotteessa olevia tietoja (esimerkiksi halkaisija, kierrosluku, paksaus, kiinnitysreikä, materiaali jne.) ja jotka on standardin EN 847-1 mukaisesti tarkastettu ja merkitty.
- Käytä vain sellaisia sahanteriä, joiden sallittu kierrosluku on vähintään yhtä suuri kuin tuotteessa ilmoitettu maksimikierrosluku.
- Työnteon jälkeen älä koske sahanterään ennen sen jäähtymistä. Työtä tehtäessä sahanterä kuumentuu voimakkaasti.
- Käytä suojakäsineitä, kun vaihdat sahanterää.
- Tarkasta aina ennen koneen käyttämistä, että teräsuojus sulkeutuu kunnolla. Liikuta sahapää alas ja ohjaa se hallitusti takaisin yläasentoonsa. Älä käytä sahaa, jos teräsuojus ei liiku vapaasti ja sulkeudu heti sahapäätä nostettaessa. Älä koskaan kiillaa tai muutoin sido alemmaa teräsuojusta auki-asentoon.
- Älä koskaan käytä tuotetta ilman teräsuojusta.
- Alumiiniprofiileja sahattaessa anna työkalun aina käydä pienellä kierrosluvulla.
- Kiinnitä aina tuotteessa olevat lisätuet ja käytä niitä.
- Tuotteen kuljettamiseksi tartu tuotteeseen vain kantamiseen tarkoitetuista kohdista (kahvasyvennykset ja kuljetuskahva). Älä koskaan kannna sähkötyökalua liukuvarresta tai käsikahvasta. → Sivuu 111
- Vältä sahanterän hampaiden kärkien ylikuumentumista. Muovia sahattaessa on vältettävä muovin sulamista.

2.4 Akkujen käyttö ja hoito

- **Noudata seuraavia turvallisuusohjeita, jotka varmistavat litiumioniakkujen turvallisen käsittelyn ja käytön.** Ohjeiden noudattamatta jättäminen saattaa aiheuttaa ihoärsytystä, vakavia syöpymisvammoja, kemiallisia palovammoja, tulipalon ja/tai räjähdysten.
- Käytä vain akkua, joka on teknisesti moitteettomassa kunnossa.



- ▶ Käsittele akkuja huolellisesti, jotta vältät vauriot ja terveydelle vakavasti vaarallisten nesteiden vuotamisen ulos!
- ▶ Akkuja ei saa mitenkään muuttaa tai manipuloida!
- ▶ Akkuja ei saa avata, puristaa, kuumentaa lämpötilaan yli 80 °C (176 °F) tai polttaa.
- ▶ Älä käytä tai lataa akkua, johon on kohdistunut isku tai joka muutoin on vaurioitunut. Tarkasta akustasi vaurioiden merkit säännöllisin välein.
- ▶ Älä koskaan käytä kierrätettyä tai korjattua akkua.
- ▶ Älä käytä akkua tai akkukäyttöistä sähkötyökalua koskaan lyöntityökaluna.
- ▶ Älä koskaan altista akkua suoralle auringonpaisteelle, korkealle lämpötilalle, kipinöille tai avotulelle. Siitä voi aiheutua räjähdys.
- ▶ Älä kosketa akun napoja sormilla, työkaluilla, koruilla tai muilla metallisilla esineillä. Seurauksena akku voi vaurioitua ja aiheuttaa aineellisia vahinkoja tai vammoja.
- ▶ Älä altista akkua sateelle, kosteudelle tai nesteille. Sisään tunkeutunut kosteus voi aiheuttaa oikosulun, sähköiskun, palovammoja tai räjähdyksen.
- ▶ Käytä aina vain tälle akkutyypille tarkoitettuja latureita ja sähkötyökaluja. Noudata niiden käyttöohjeissa annettuja ohjeita.
- ▶ Älä käytä tai varastoi akkua räjähdysvaarallisessa ympäristössä.
- ▶ Jos akku on liian kuuma koskea, se saattaa olla vaurioitunut. Laita akku palovaarattomaan paikkaan ja riittävän etäälle syttyvistä materiaaleista. Anna akun jäähtyä. Jos akku vielä tunnin kuluttuakin on liian kuuma koskea, akku on vaurioitunut. Ota yhteys **Hilti**-huoltoon tai lue dokumentti "**Hilti**-litiumioniakkujen turvallisuuteen ja käyttöön liittyviä ohjeita".



Noudata erityisiä ohjeita ja direktiivejä, jotka koskevat litiumioniakkujen kuljettamista, varastointia ja käyttöä.

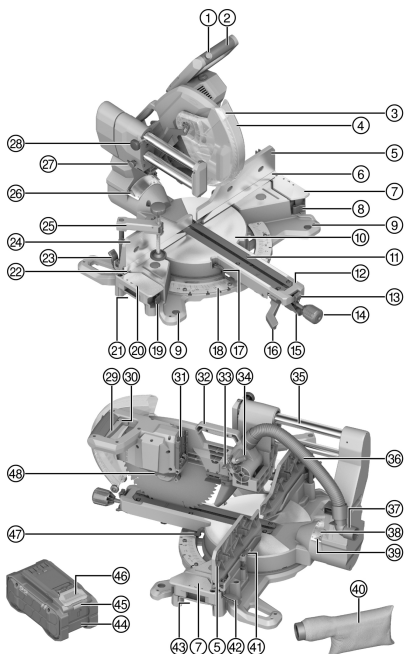
Lue **Hilti**-litiumioniakkujen turvallisuuteen ja käyttöön liittyvät ohjeet, jotka saat skannaamalla tämän käyttöohjeen lopussa olevan QR-koodin.





2395174

3.1 Tuoteyhteenvedo 1



- ① Päälle kytkemisen salpa
- ② Käsi kahva
- ③ LED-sahausnäyttö
- ④ Teräsuojus
- ⑤ Oikea ylempi jiirohjain
- ⑥ Oikea alempi jiirohjain
- ⑦ Oikea lisätuki
- ⑧ Oikean lisätuen lukituksen vapautusvipu
- ⑨ Kiinnitysreikä
- ⑩ Kääntölevy
- ⑪ Uralevyt
- ⑫ Kääntölevyvarsi
- ⑬ Kääntölevyn lukituksen vapautusvivun lukitusasento
- ⑭ Kääntölevyn kiristysnappi
- ⑮ Kääntölevyn lukituksen vapautusvipu
- ⑯ Pystysuuntaisen jiirikulman lukituksen vapautusvipu
- ⑰ Vaakasuuntaisen vasemman jiirikulman osoitin
- ⑱ Vaakasuuntaisen jiirikulman asteikko
- ⑲ Vasemman lisätuen lukituksen vapautusvipu
- ⑳ Vasen lisätuki
- ㉑ Vasen kahvasyvennys
- ㉒ Vasen alempi jiirohjain
- ㉓ Vasemman ylempään jiirohjaimen lukituksen vapautusvipu
- ㉔ Vasen ylempi jiirohjain
- ㉕ Ruuvipuristin
- ㉖ Pystysuuntaisen vasemman jiirikulman osoitin
- ㉗ Kuljetusvarmistin
- ㉘ Työntimen lukitusruuvi
- ㉙ Käyttökytkin
- ㉚ Riippulukon reikä
- ㉛ Akun liitäntä
- ㉜ Kuljetuskahva
- ㉝ Syvyysrajoittimen vastinlevy
- ㉞ Syvyysrajoitin
- ㉟ Työnnin / liukutanko
- ⓫ Pölynpoiston liitäntäletku
- ⓫ Poistoimuliitäntä
- ⓫ Pystysuuntaisen jiirikulman asteikko
- ⓫ Pystysuuntaisen oikean jiirikulman osoitin
- ⓫ Pölypussi
- ⓫ Kuusiokoloavain
- ⓫ Oikean ylempään jiirohjaimen lukituksen vapautusvipu
- ⓫ Oikea kahvasyvennys
- ⓫ Akku
- ⓫ Akun tilinäyttö
- ⓫ Akun lukituksen vapautuspainike
- ⓫ Vaakasuuntaisen oikean jiirikulman osoitin
- ⓫ Karajaru



3.2 Tarkoituksenmukainen käyttö

Kuvattu tuote on akkukäyttöinen jiiirikatkaisusaha. Se on tarkoitettu puun, puutuotteiden, muovin ja alumiini-profiilien sahaamiseen. Tällä tuotteella voidaan tehdä katkaisusahauksia, viistosahauksia ja jiiirisahauksia.

Tuotteessa on lastunpoiston liitäntä, johon yleiset imuriletkut sopivat. Pölynpoistolaitteen letkun liittäminen sahaan saattaa vaatia sopivan adapterin.

- Käytä sahaa vain mukana toimitetun lastupussin tai soveltuvan pölynpoistolaitteen kanssa.
- Käytä tässä tuotteessa vain sille hyväksytyjä sahanteriä, jotka vastaavat Tekniset tiedot -kohdassa annettuja tietoja (esimerkiksi halkaisija, kierrosluku, vahvuus, materiaali jne...). Hioma- ja katkaisulaikat sekä suurlejeeringistä valmistetut pikaterästerät (HSS) eivät ole sallittuja.
- Älä koskaan sahaa tällä tuotteella magnesiumia.
- Käytä tässä tuotteessa vain tyyppisarjan B 22 **Hilti** Nuron -litiumioniakkuja. Parhaan tehon saavuttamiseksi **Hilti** suosittaa, että tässä tuotteessa käytetään vain tämän käyttöohjeen lopussa olevassa taulukossa mainittuja akkuja.
- Käytä näiden akkujen lataamiseen vain tämän käyttöohjeen lopussa olevassa taulukossa mainittujen tyyppisarjojen **Hilti**-latureita.

3.3 Toimituksen sisältö

Jiirikatkaisusaha, sahanteriä, kiristyslaippa, kiinnityslaippa, kiristysruuvi, kuusiokanta-avain, ruuvipuristin, kääntölevyn kiristysnuppi, käyttöohje

Muita tälle tuotteelle hyväksytyjä järjestelmätuotteita löydät **Hilti Store** -liikkeestä tai nettiosoitteesta: www.hilti.group

3.4 Litiumioniakun näyttö

Hilti Nuron -litiumioniakuissa on lataustilan, vikailmoitusten ja akun kunnon näyttö.

3.4.1 Lataustilan ja vikailmoitusten näyttö



Loukkaantumisvaara akun putoamisesta aiheutuva!

- ▶ Varmista, että akku on kunnolla lukittunut tuotteeseen, jos akun paikalleen laittamisen jälkeen olet painanut lukituksen vapautuspainiketta.

Jotta jokin seuraavista näytöistä voi tulla näyttöön, paina akun lukituksen vapautuspainiketta lyhyesti.

Lataustila ja mahdolliset häiriöt pysyvät näytössä niin kauan, kuin liitetty tuote on päälle kytketty.

Tila	Merkitys
Neljä (4) LED-merkkivaloa palaa jatkuvasti vihreänä	Lataustila: 100...71 %
Kolme (3) LED-merkkivaloa palaa jatkuvasti vihreänä	Lataustila: 70...51 %
Kaksi (2) LED-merkkivaloa palaa jatkuvasti vihreänä	Lataustila: 50...26 %
Yksi (1) LED palaa jatkuvasti vihreänä	Lataustila: 25...10 %
Yksi (1) LED-merkkivalo vilkkuu hitaasti vihreänä	Lataustila: < 10 %
Yksi (1) LED-merkkivalo vilkkuu nopeasti vihreänä	Litiumioniakku on täysin tyhjentynyt. Lataa akku. Jos LED-merkkivalo akun lataamisen jälkeenkin vielä vilkkuu nopeasti, ota yhteys Hilti -huoltoon.
Yksi (1) LED-merkkivalo vilkkuu nopeasti keltaisena	Litiumioniakku tai siihen liitetty tuote on ylikuormitunut, liian kuuma tai liian kylmä tai jokin muu vika on olemassa. Saata tuote ja akku suositeltuun käyttölämpötilaan ja älä ylikuormita tuotetta sitä käyttäessäsi. Jos viesti edelleen on näytössä, ota yhteys Hilti -huoltoon.
Yksi (1) LED-merkkivalo palaa keltaisena	Litiumioniakku ja siihen liitetty tuote eivät ole yhteensopivat. Ota yhteys Hilti -huoltoon.
Yksi (1) LED-merkkivalo vilkkuu nopeasti punaisena	Litiumioniakku on estetty eikä sitä voida käyttää. Ota yhteys Hilti -huoltoon.



3.4.2 Akun kunnan näyttö

Litiumioniakun kunnan voit hakea näyttöön painamalla akun lukituksen vapautuspainiketta yli kolmen sekunnin ajan. Järjestelmä tunnistaa akun mahdollisen virheellisen toiminnan väärin käyttämisen seurauksena, esimerkiksi akku päässyt putoamaan, akussa reikä, akussa ulkoisen lämmön aiheuttama vaurio jne.

Tila	Merkitys
Kaikki LED-merkkivalot syttyvät juoksevasti ja sitten yksi (1) LED-merkkivalo jää palamaan vihreänä.	Akun käyttämistä voidaan jatkaa.
Kaikki LED-merkkivalot syttyvät juoksevasti ja sitten yksi (1) LED-merkkivalo vilkkuu nopeasti keltaisena.	Kyselyä akun kunnosta ei saatu tehtyä loppuun saakka. Toista tämä vaihe tai ota yhteys Hilti -huoltoon.
Kaikki LED-merkkivalot syttyvät juoksevasti ja sitten yksi (1) LED-merkkivalo jää palamaan punaisena.	Jos liitettyä tuotetta voi edelleen käyttää, jäljellä oleva akkukapasiteetti on alle 50 %. Jos liitettyä tuotetta ei enää voi käyttää, akku on tullut käyttöikänsä päähän ja vaihdettava. Ota yhteys Hilti -huoltoon.

4 Tekniset tiedot

4.1 Tuotteen ominaisuudet

Nimellisjännite	21,6 V	
Nimellisjoutokäyntikierrosluku	4 300/min	
Sahanterän halkaisija	305 mm	
Runkolevyn paksuus	0,5 mm ... 1,5 mm	
Sahanterän kiinnitysreikä	30 mm	
Sahausleveys	3,2 mm	
Suurin vaakasuuntainen jiirikulma	Oikea	≤ 60°
	Vasen	≤ 52°
Suurin pystysuuntainen jiirikulma	Oikea	≤ 48°
	Vasen	≤ 48°
Maksimisahauskapasiteetti riippumatta muista mitoista tai jiirikulmista	Korkeus	≤ 100 mm
	Leveys	≤ 360 mm
Paino	25,6 kg (EPTA-Procedure 01 mukaan ilman akkua)	
Ympäristön lämpötila käytettäessä	-17 °C ... 60 °C	
Varastointilämpötila	-20 °C ... 70 °C	

4.2 Akku

Akkutoimintajännite	21,6 V
Akun paino	Ks. tämän käyttöohjeen loppu
Ympäristön lämpötila käytettäessä	-17 °C ... 60 °C
Varastointilämpötila	-20 °C ... 40 °C
Akun lämpötila lataamisen alkaessa	-10 °C ... 45 °C

4.3 Melutiedot ja värinäarvot EN 62841 mukaan

Tässä käyttöohjeessa annetut äänenpaine- ja värinäarvot on mitattu standardoitujen mittausmenetelmien mukaisesti, ja näitä arvoja voidaan käyttää sähkötyökalujen vertailussa. Ne soveltuvat myös altistumisten tilapäiseen arviointiin.

Annetut arvot koskevat sähkötyökalun pääasiallisia käyttötarkoituksia. Jos sähkötyökalua kuitenkin käytetään muihin tarkoituksiin, poikkeavia työkaluja tai teriä käyttäen tai puutteellisesti huollettuna, arvot voivat poiketa tässä ilmoitetuista. Tämä saattaa merkittävästi lisätä altistumista koko työskentelyajan aikana.



Altistumisia tarkasti arvioitaessa on otettava huomioon myös ne ajat, jolloin kone on kytketty pois päältä tai jolloin kone on päällä, mutta sillä ei tehdä varsinaista työtä. Tämä saattaa merkittävästi vähentää altistumista koko työskentelyajan aikana.

Käyttäjän suojaamiseksi melun ja/tai tärinän vaikutukselta ryhdy tarpeellisiin turvatoimenpiteisiin kuten: Sähkötökalun ja siihen kiinnitettävien työkalujen huolto, käsien lämpimänä pitäminen, työtehtävien organisointi.

Meluarvot

Äänitehotaso (L_{WA})	101 dB(A)
Äänenpainetaso (L_{pA})	90 dB(A)
Epävarmuus (arvoille L_{WA} ja L_{pA})	3 dB(A)

Tärinän kokonaisarvot

Tärinäarvo	B 22-55	$\leq 2,5 \text{ m/s}^2$
	B 22-255	$\leq 2,5 \text{ m/s}^2$
Epävarmuus		1,5 m/s^2

4.4 Maksimisahauskapasiteetti

Ilmoitetut korkeus- ja leveysmitat riippuvat toisistaan. Korkeuden ja leveyden suurimmat mahdolliset arvot löydät kappaleesta Tuoteominaisuudet. → Sivu 100

Vaakasuntainen jiirikulma	Pystysuuntainen jiirikulma	Korkeus x leveys
0°	0°	100 mm x 355 mm
	22,5° oikealle	72 mm x 355 mm
	22,5° vasemmalle	90 mm x 355 mm
	30° oikealle	60 mm x 355 mm
	30° vasemmalle	78 mm x 355 mm
	45° oikealle	40 mm x 355 mm
	45° vasemmalle	65 mm x 340 mm
	48° oikealle	30 mm x 355 mm
	48° vasemmalle	50 mm x 355 mm
45° oikealle	0°	100 mm x 250 mm
45° vasemmalle	45° oikealle	40 mm x 250 mm
	45° vasemmalle	62 mm x 250 mm
52° vasemmalle	0°	100 mm x 200 mm
	45° oikealle	40 mm x 220 mm
	45° vasemmalle	62 mm x 220 mm
60° oikealle	0°	100 mm x 176 mm
	45° oikealle	40 mm x 178 mm
	45° vasemmalle	30 mm x 190 mm

5 Työkohteen valmistelu

VAARA

Loukkaantumisvaara vahingossa käynnistymisen seurauksena!

- ▶ Varmista ennen akun kiinnittämistä, että tuote on kytketty pois päältä.
- ▶ Irrota akku, ennen kuin muutat koneen säätöjä tai vaihdat lisävarusteosia.

Noudata tässä dokumentaatiossa ja tuotteessa olevia turvallisuus- ja varoitushuomautuksia.

5.1 Kiristysnupin kiinnitys

Kääntölevyn kiristysnuppia ei ole valmiiksi kiinnitetty toimitettavaan tuotteeseen. Se on kiinnitettävä ennen sahan käyttöä.

- ▶ Kierrä kiristysnuppi kiinni kääntölevyn varteen.



5.2 Akun lataus

1. Ennen lataamista lue laturin käyttöohje.
2. Varmista, että liittimet akussa ja laturissa ovat puhtaat ja kuivat.
3. Lataa akku hyväksytyllä laturilla. → Sivu 99

5.3 Akun kiinnitys



VAARA

Loukkaantumiswaara akun oikosulun tai putoamisen seurauksena!

- ▶ Ennen akun paikalleen laittamista varmista, ettei akun liittimissä akussa ja tuotteessa ole vieraita esineitä.
- ▶ Varmista, että akku aina lukittuu kunnolla paikalleen.

1. Lataa akku täyteen ennen ensimmäistä käyttökertaa.
2. Työnnä akku tuotteeseen siten, että akku kuultavasti lukittuu paikalleen.
3. Tarkasta, että akku on kunnolla kiinni.

5.4 Akun irrotus

1. Paina akun lukituksen vapautuspainiketta.
2. Vedä akku irti tuotteesta.

5.5 Tuotteen kiinnitys

Tuote on kiinnitettävä tasaiselle ja vakaalle pinnalle.

1. Aseta tuote tasaiselle ja vakaalle pinnalle.
2. Kiinnitä tuote kiinnitysreistä työtasoon. Käytä siihen soveltuvia ruuveja.
3. Vaihtoehtoisesti kiinnitä tuotteen jalat työtasoon tavallisilla ruuvipuristimilla.



Hilti tarjoaa vaihtoehtona myös tukirunkoa, johon tuote on mahdollista kiinnittää liikuteltavaa käyttöä varten.

5.6 Käyttöasentoon asettaminen 2

1. Paina sahapää kevyesti alas ja vedä kuljetusvarmistin irti.
2. Ohjaa sahapää hallitusti ylös.

5.7 Pölynpoistolaite

5.7.1 Pölypussin kiinnitys

Pölypussin ansiosta työnteko on siistiä; pussi kerää syntyvästä pölystä suuren osan.

- ▶ Kiinnitä pölypussi poistoimaukkoon.

5.7.2 Pölynpoistovarustuksen liittäminen

Pölynpoistovarustuksen pitää soveltua työstettävälle materiaalille. Käytä terveydelle vaarallisten, syöpää aiheuttavien tai kuivien pölyjen imurointiin soveltuvaa erikoisimuria.

- ▶ Liitä imuletku poistoimaukkoon.

5.8 Sahanterän kiinnittäminen 3

Varmista, että sahanterä, jonka aiot kiinnittää sahaan, täyttää tekniset vaatimukset ja on hyvin teroitettu. Moitteettoman sahausjärjen perusedellytys on terävä sahanterä.

1. Puhdista kiinnitys- ja kiristyslaippa.
2. Aseta kiinnityslaippa oikein paikalleen käyttökaraan (1).
3. Avaa kupusuojus (2).
4. Aseta uusi sahanterä paikalleen.



Ota sahanterässä ja tuotteessa oleva pyörimissuuntanuoli (3) huomioon. Niiden pitää vastata toisiaan.

5. Aseta ulompi kiristyslaippa oikein paikalleen (4).



6. Kierrä kiinnitysruuvi paikalleen.
7. Aseta kuusiokoloavain sahanterän kiinnitysruuviin.
8. Paina karajarrun painiketta ja pidä painettuna (5).
9. Kiristä kiinnitysruuvi kuusiokoloavaimella kiinni (6).
10. Tarkasta sahanterän kunnollinen kiinnitys.
11. Tarkasta sahanterän vapaa liikkuminen. Sahanterä ei saa minkään säätönsä yhteydessä (vaaka- ja/tai pystysuuntainen jirikulma) koskettaa sahan muita osia.
12. Laita kuusiokoloavain sille tarkoitettuun kohtaan.

5.9 Sahanterän irrottaminen 4

VAARA

Sahanterä, kiinnitysruuvi ja kiristyslaippa aiheuttavat palovamma- ja haavavammavaaran Seurauksena voi olla palovammoja ja haavoja.

- ▶ Käytä suojakäsineitä, kun vaihdat työkalua.

1. Paina karajarrun painiketta ja pidä painettuna (1).
2. Avaa kiinnitysruuvi kuusiokoloavaimella (2).
3. Irrota kiinnitysruuvi ja kiinnityslaippa (3).
4. Avaa kupusuojus (4) ja irrota sahanterä (5).



Tarvittaessa kiinnityslaippa voidaan irrottaa puhdistamista varten.

6 Käyttö

Noudata tässä dokumentaatiossa ja tuotteessa olevia turvallisuus- ja varoitushuomautuksia.

6.1 Työntimen lukitus / vapautus 5

Työnnin voidaan lukita mihin tahansa kohtaan.

1. Työntimen lukitsemiseksi kierrä lukitusruuvia (1) myötäpäivään.
 - ▶ Lukitusruuvi tarttuu liukutankoon estäen liukuliikkeen.
2. Työntimen vapauttamiseksi kierrä lukitusruuvia (1) vastapäivään.

6.2 Sahaussyvyyden säätö syvyyusrajoittimella 5

Käytä syvyyusrajoitinta, jos haluat esimerkiksi sahata uran.

1. Käännä syvyyusrajoittimen vastinlevy (1) siten, että syvyyusrajoitin sahapäätä laskettaessa ei mene aukon läpi.
2. Säädä sahaussyvyys haluamaksesi säätöruuvilla (2).
3. Kun et enää halua rajoittaa sahaussyvyyttä, käännä vastinlevy (1) siten, että syvyyusrajoitin sahapäätä laskettaessa menee aukon läpi.

6.3 Sahapöydän pidentäminen 7

VAARA

Pitkät työkappaleet aiheuttavat loukkaantumisvaaran. Pitkät työkappaleet voivat sahattaessa kääntyä hallitsemattomasti, nostaa teräsuojusta sekä aiheuttaa sahanterän juuttumisen ja siten takaiskun.

- ▶ Tue pitkät työkappaleet lisäksi sahapukeilla tai vastaavilla tuilla.

Sahapöydän vastinpintaa voidaan suurentaa oikealle ja/tai vasemmalle lisäosilla.

1. Avaa lisäosan lukituksen vapautusvipu (1).
2. Vedä lisäosa ulos (2).
3. Lukitse lisäosan lukituksen vapautusvipu (1).
4. Tarvittaessa toista nämä vaiheet vastakkaisen puolen lisäosalle.



6.4 Ylempien jiiriohjaimien säätö

Vaaka- ja/tai pystysuuntaisen jiirikulman säädöstä riippuen ylempiä jiiriohjaimia on vedettävä ulospäin, tai ne on irrotettava kokonaan.

1. Avaa ylempään vasemman tai oikean jiiriohjaimen lukituksen vapautusvipu **(1)**.
2. Vedä ylemmää jiiriohjainta **(2)** tarvittavan verran ulospäin tai irrota se kokonaan.
3. Sulje lukituksen vapautusvipu **(1)**.
 - ▶ Kiinnitä ylempät jiiriohjaimet takaisin sisempiin asentoihinsa, kun sahaat suoraa linjaa.
4. Jos ylempi jiiriohjain irrotettiin, sitä voidaan sahauksen aikana turvallisesti säilyttää myös lisätuen liukutankoon kiinnitettynä.

6.5 Vaakasuuntaisen jiirikulman säätö

VAARA

Lukitsematon kääntölevy aiheuttaa loukkaantumisvaaran. Jos kääntölevyä ei ole lukittu, kääntölevy voi sahattaessa päästä kääntymään, työkappale kantata ja siten aiheuttaa takaisku.

- ▶ Kiristä kääntölevyn kiristysnuppi aina ennen kuin sahaat.

Edellytykset: Oletusjiirikulmat

Usein käytettyjen vaakasuuntaisten jiirikulmien nopeaa ja tarkkaa säätämistä varten tuotteessa on syvennykset vaakasuuntaisen jiirikulman asteikolla. Kääntölevy voidaan lukita näihin syvennyksiin.

Vaakasuuntaisen jiirikulman lukitusasennot

Vasen	Keski	Oikea
45°; 31,6°; 22,5°; 15 °	0 °	15°; 22,5°; 31,6°; 45°; 60 °

- ▶ Tarvittaessa löystytä kääntölevyn kiristysnuppi **(2)**.
- ▶ Vedä kääntölevyn lukituksen vapautusvivusta, pidä vedettynä **(1)** ja kierrä kääntölevy asentoon juuri ennen haluamaasi vaakasuuntaista jiirikulmaa **(3)**.
- ▶ Vapauta kääntölevyn lukitusvipu ja jatka kääntölevyn kiertämistä haluamasi vaakasuuntaisen jiirikulman asentoon, kunnes kääntölevyn lukitsin lukittuu.
- ▶ Kiristä kääntölevyn kiristysnuppi kiinni **(2)**.

Edellytykset: Mikä tahansa vaakasuuntainen jiirikulma

Oletusjiirikulmien sijasta vaakasuuntainen jiirikulma voidaan säätää vapaasti.

- ▶ Tarvittaessa löystytä kääntölevyn kiristysnuppi **(2)**.
- ▶ Vedä kääntölevyn lukituksen vapautusvivusta **(1)** ja lukitse vipu **(4)**.
- ▶ Säädä kääntölevy haluamaasi vaakasuuntaista jiirikulmaa vastaavaan asentoon **(3)**.
- ▶ Kiristä kääntölevyn kiristysnuppi kiinni **(2)**.

6.6 Pystysuuntaisen jiirikulman säätö

VAARA

Lukitsematon kallistussäätö aiheuttaa loukkaantumisvaaran. Jos pystysuuntaisen jiirikulman säätöä ei ole lukittu, sahapää voi sahattaessa kääntyä ja aiheuttaa takaiskun.

- ▶ Pystysuuntaisen jiirikulman säätämisen jälkeen paina säädön lukituksen vapautusvipu aina täysin alas, jotta kallistussäätö lukittuu.

VAROITUS

Ylempät jiiriohjaimet aiheuttavat loukkaantumisvaaran. Kun pystysuuntainen jiirikulma on säädetty, sahanterä voi osua ylempiin jiiriohjaimiin, mistä voi aiheutua vaurio ja takaisku.

- ▶ Aina pystysuuntaisen jiirikulman säätämisen jälkeen tarkasta sahanterän vapaa liikkuminen ja säädä ylempät jiiriohjaimet tarvittavan verran ulospäin.

Usein käytettyjen pystysuuntaisten jiirikulmien nopeaa ja tarkkaa säätämistä varten sahapää voidaan lukita useaan eri asentoon.



Pystysuuntaisen jiirikulman lukitusasennot

Vasen	Keski	Oikea
45°; 33,9°; 22,5 °	0 °	22,5°; 33,9°; 45 °

- ▶ Vedä pystysuuntaisen jiirikulman säädön lukituksen vapautusvivusta, jotta lukitus vapautuu **(2)**.
- ▶ Vedä pystysuuntaisen jiirikulman säädön lukituksen vapautusvipu täysin ylös, jotta sahapää voi liikkua vapaasti **(3)**.
- ▶ Vapauta lukituksen vapautusvipu ja kallista sahapäätä, kunnes lukitsin lukittuu.
 - ▶ Sahapään voi lukita mihin tahansa edellä mainituista asennoista.
- ▶ Paina lukituksen vapautusvipu sitten kokonaan alas **(1)**, jotta sahapää lukittuu säädettyyn asentoon.
- ▶ Jos haluat säätää pystysuuntaisen jiirikulman mihin tahansa asentoon, pidä pystysuuntaisen jiirikulman säädön lukituksen vapautusvipu ylimmässä asennossaan **(3)**, kunnes pystysuuntainen jiirikulma saavuttaa haluamasi arvon.
- ▶ Paina lukituksen vapautusvipu sitten kokonaan alas **(1)**, jotta sahapää lukittuu säädettyyn asentoon.
- ▶ Säädä ylemmät jiiriohjaimet siten, etteivät ne osu sahanterään. → SivU 104

6.7 Sahauslinjanäytön aktivointi

Tässä sahasa on sahauslinjanäyttö. Sahapäässä oleva LED valaisee työaluetta, jolloin sahanterä synnyttää varjon, joka näyttää sahauslinjan tarkasti.

1. Aktivoi käyttökytkin painamatta päälle kytkemisen salpaa.
 - ▶ LED syttyy.
2. Ohjaa sahapää alas.
 - ▶ Sahanterän varjo näkyy työkappaleen pinnalla ja ilmaisee sahauslinjan.
3. Tarvittaessa mukautu työkappale tai vaaka- ja/tai pystysuuntaisen jiirikulman säätö vastaamaan sahauslinjaa.

6.8 Työkappaleen asettaminen paikallaan ja kiinnitys **12, 13, 14**

VAARA

Kieroutunut puu aiheuttaa loukkaantumisvaaran. Kieroutunut ja/tai taittunut työkappale voi juuttua sahanterään, mistä voi aiheutua takaisku.

- ▶ Aseta kieroutunut tai taittunut työkappale aina siten, että sen ulospäin taipunut puoli tulee jiiriohjainta vasten. Älä koskaan aseta työkappaletta siten, että sen ja jiiriohjaimien välissä on rako.

VAARA

Työkappaleen väärä sijoitus aiheuttaa loukkaantumisvaaran. Työkappaleen väärä sijoittaminen vuoksi työkappale voi juuttua sahanterään, mistä voi aiheutua takaisku.

- ▶ Aseta työkappale aina siten, että se mahdollisimman suurelta alaltaan vastaa kääntölevyyn, lisätukiin ja jiiriohjaimiin.

VAARA

Kiinnittämätön työkappale aiheuttaa loukkaantumisvaaran! Jos työkappale ei kunnolla pysy jiiriohjainta vasten, työkappale voi sahattaessa päästä siirtymään, jolloin sahanterä saattaa vaurioitua ja työkappale sinkoutua, ja saatat myös menettää sahan hallinnan.

- ▶ Työkappale on aina kiinnitettävä ruuvipuristimella tiukasti vasten kääntölevyä ja jiiriohjainta.

VAARA

Ruuvipuristimeen osuvien sahan osien aiheuttama loukkaantumisvaara! Sahanterä voi vaurioitua ruuvipuristimeen osumisen seurauksena. Ruuvipuristin saattaa rajoittaa turvalaitteiden toimintaa. Ruuvipuristin saattaa rajoittaa sahapään liikkettä, mistä voi aiheutua takaisku.

- ▶ Sahaa päälle kytkemättä kokeile sahattaessa tarvittava liike. Varmista, etteivät sahan osat pääse koskettamaan ruuvipuristinta.
- ▶ Tarvittaessa siirrä ruuvipuristin sahan toiseen kohtaan.
- ▶ Paina ruuvipuristimen lukituksen vapautuspainiketta **(2)** ja vedä kierretanko vasteeseen saakka ylös.
- ▶ Aseta ruuvipuristin johonkin sille tarkoitetuista aukoista **(1)**.
- ▶ Paina työkappale tiukasti vasten alemmaa jiiriohjainta.
- ▶ Paina ruuvipuristimen lukituksen vapautuspainiketta, jotta kierretanko nopeasti mukautuu työkappaleen mukaiseksi **(2)**.



- ▶ Käännä ruuvipuristinta taaksepäin, kierretangon asentoa vasten **(3)**. Kiristä sitten kierretanko kiinni myötäpäivään kiertäen ja siten kiinnitä työkappale **(4)**.
 - ▶ Työkappaleen löystyttämiseksi kierrä kierretankoa vastapäivään. Paina sitten ruuvipuristimen lukituksen vapautuspainiketta ja vedä kierretanko ylös vasteeseen saakka.

6.9 Kierrosluvun säätö

- ▶ Säädä kierros-luku haluamaksesi kierros-luvun säätöpyörällä.

6.10 Kytkeminen päälle / pois päältä

VAARA

Loukkaantumisvaara takaiskun seurauksena.

- ▶ Kytke saha päälle vain, kun sahanterä ei kosketa työkappaletta.

VAARA

Loukkaantumisvaara takaiskun seurauksena.

- ▶ Kytettyäsi sahan pois päältä anna sahapään olla alimmassa asennossa, kunnes sahanterä on täysin pysähtynyt.

1. Paina päälle kytkemisen salpaa ja pidä painettuna.
2. Paina käyttökytkintä ja pidä painettuna.
 - ▶ Saha pyörii.
3. Sahan kytket pois päältä vapauttamalla käyttökytkimen.

6.11 Sahaaminen

VAARA

Käsien ja käsivarsien väärä sijoittaminen aiheuttaa loukkaantumisvaaran. Väärin asetetut kädet ja käsivarret voivat osua pyörivään sahanterään, jolloin voi syntyä vakavia vammoja.

- ▶ Sahattaessa älä koskaan pidä käsivarsiasi ristissä. Älä koskaan aseta käsivarsiasi tai käsiäsi ristiin sahauslinjalle.
- ▶ Pidä käsivartesi ja kätesi loitolla merkitystä vaara-alueesta sahanterän vasemmalla ja oikealla puolella.

Kehon ja käsien oikea asento jiirisahalla sahattaessa tekee sahaamisesta helpompaa, tarkempaa ja turvallisempaa.

Seiso molemmin jaloin tukevasti ja säilytä tasapainosi. Kun jiirivarsi liikkuu vasemmalle ja oikealle, seuraa sen liikettä ja seiso hieman sivussa sahanterään nähden.

Pidä sahanterän vasemmalla puolella 230 mm:n (9 tuumaa) ja oikealla puolella 270 mm:n (10.4 tuumaa) vaara-alue vapaana. Älä vie käsiäsi, kyynärvarsiasi tai muita kehonosiäsi tälle vaara-alueelle.

Pidä kätesi edelleen turvallisessa asennossa, kunnes vapautat käyttökytkimen ja sahanterä on täysin pysähtynyt.



Sahaamista varten paina sahapäätä alas kevyesti ja hallitusti. Liian voimakas painaminen tai sahauslinjaan nähden sivusuuntaisen voiman käyttö voi johtaa sahanterän värinään, mikä voi aiheuttaa ylimääräisiä sahausjälkiä työkappaleeseen ja sahaustarkkuuden heikentymistä.

6.11.1 Sahaus ilman työntöliikettä (katkaisusahaus)

VAARA

Lukitsematon työnin aiheuttaa loukkaantumisvaaran. Jos työnointä ei ole lukittu, sahapää voi yllättäen liukua, mistä voi aiheutua takaisu.

- ▶ Katkaisusahauksessa lukitse työnin aina.

1. Työnnä sahapää rajoittimeen saakka taaksepäin (itsestäsi pois päin).
2. Lukitse työnin. → Sivu 103
3. Säädä syvyysrajoittimen vastinlevy siten, että syvyysrajoitin sahapäätä laskettaessa menee aukon läpi. → Sivu 103
4. Mukauta sahan kaikki säädöt (kulmat, jiiriohjaimet, vastinpinnat) suoritettavan sahausksen vaatimalla tavalla.



5. Kiinnitä irrallinen työkappale. → Sivu 105
6. Kytke saha päälle. → Sivu 106
7. Ohjaa sahapää hitaasti alas ja sahaa työkappale tasaisesti syöttäen.
8. Kytke saha pois päältä ja odota, kunnes sahanterä on täysin pysähtynyt.
9. Ohjaa sahapää takaisin yläasentoonsa.

6.11.2 Sahaus työntöliikkeellä



Sahanterän väärä liike aiheuttaa takaiskun. Sahanterän väärä liike työntöliikkeellä sahattaessa voi aiheuttaa takaiskun.

- ▶ Vedä sahapää ennen sahaamista aina kokonaan ylös, laske sitten alas ja työnnä sitten jiiriohjaimien suuntaan.
- ▶ Älä koskaan vedä sahapäätä itseesi päin, jos sahanterä jo on työkappaleessa.



Työnnä sahapäätä kevyesti, hallitusti ja pysäyttämättä jiiriohjaimeen saakka. Jos sahaamisen aikana keskeytät työntöliikkeen, sahanterästä jää jälki työkappaleeseen, ja sahausken tarkkuus heikkenee.

1. Tarvittaessa löystytystä työnnin. → Sivu 103
2. Säädä syvyysrajoittimen vastinlevy siten, että syvyysrajoitin sahapäätä laskettaessa menee aukon läpi. → Sivu 103
3. Mukauta sahan kaikki säädöt (kulmat, jiiriohjaimet, vastinpinnat) suoritettavan sahausken vaatimalla tavalla.
4. Kiinnitä irrallinen työkappale. → Sivu 105
5. Vedä sahapää täysin itseesi päin.
6. Kytke saha päälle. → Sivu 106
7. Ohjaa sahapää hitaasti alas.
8. Pidä sahapää alimmassa asennossaan ja työnnä sitä hitaasti taaksepäin (itsestäsi pois päin). Saha työkappale tasaisesti syöttäen.
9. Kytke saha pois päältä ja odota, kunnes sahanterä on täysin pysähtynyt.
10. Ohjaa sahapää takaisin yläasentoonsa.

6.11.3 Uran sahaus

1. Säädä syvyysrajoitin haluamaasi sahausyvyvyyteen. → Sivu 103
2. Saha työntöliikkeellä. → Sivu 107

6.11.4 Profiililistojen sahaus **16**



Työkappaleen virheellinen kiinnitys aiheuttaa loukkaantumisvaaran. Väärin kiinnitetty työkappale voi juuttua sahanterään, mistä voi aiheutua takaisku.

- ▶ Kun asetat profiililistan jiiriohjainta vasten, varmista erityisesti, että profiililistan liikkumaan pääseminen on riittävän varmasti estetty. → Sivu 105

Profiililistoja voidaan sahata kahdella eri tavalla:

- Jiiriohjaimia vasten asetettuina
- Sahapöydälle lappeelleen asetettuina
- ▶ Saha profiililistojen leveydestä riippuen työntämällä tai työntämättä.
- ▶ Kokeile säädetyt vaaka- ja/tai pystysuuntaiset jiirikulmat ensin jättepuokappaleella.

7 Huolto, hoito ja kunnossapito



Loukkaantumisvaara jos akku paikallaan !

- ▶ Irrota akku aina ennen hoito- ja kunnostustöitä!



Tuotteen hoito

- Puhdista pinttynyt lika varovasti.
- Puhdista jäähdytysilmaroot varovasti kuivalla, pehmeällä harjalla.
- Puhdista kotelon pinnat vain kevyesti kostutetulla kankaalla. Älä käytä siilikonia sisältäviä hoitoaineita, sillä ne saattavat vaurioittaa muoviosia.
- Käytä tuotteen liittimien puhdistamiseen vain puhdasta ja kuivaa kangaspalaa.
- Puhdista työntimen ja lisätukien liukutangot säännöllisesti. Puhdistamisen jälkeen laita kaikkiin liukutankoihin muutama tippa öljyä.
- Puhdista ylempien jiriohjaimien vastinpinnat säännöllisesti. Tarvittaessa rasvaa vastinpinnat.

Litiumioniakkujen hoito

- Älä koskaan käytä akkua, jos sen jäähdytysilmaroot ovat tukkeutuneet. Puhdista jäähdytysilmaroot varovasti kuivalla, pehmeällä harjalla.
- Vältä altistamasta akkua tarpeettomasti pölylle tai lialle. Älä koskaan altista akkua suurelle kosteudelle (esimerkiksi upota veteen tai jätä sateeseen).
Jos akku on pahoin kastunut, käsittele sitä kuin vaurioitunutta akkua. Eristä akku palamattomasta materiaalista valmistettuun astiaan ja ota yhteys **Hilti**-huoltoon.
- Pidä akku öljyttömänä ja rasvattomana. Älä anna pölyn ja lian kertyä akun pintaan. Puhdista akku kuivalla, pehmeällä harjalla tai puhtaalla, kuivalla kankaalla. Älä käytä siilikonia sisältäviä hoitoaineita, sillä ne saattavat vaurioittaa muoviosia.
Älä kosketa akun liittimiä äläkä poista akun liittimiin tehtaalla laitettua rasvaa.
- Puhdista kotelon pinnat vain kevyesti kostutetulla kankaalla. Älä käytä siilikonia sisältäviä hoitoaineita, sillä ne saattavat vaurioittaa muoviosia.

Kunnossapito

- Tarkasta säännöllisin välein kaikkien näkyvien osien mahdolliset vauriot ja käyttöelementtien moitteeton toiminta.
- Jos havaitset vaurioita ja/tai toimintahäiriöitä, älä käytä tuotetta. Korjauta tuote viipymättä **Hilti**-huollossa.
- Hoito- ja kunnostustöiden jälkeen kiinnitä kaikki suojalaitteet takaisin ja tarkasta niiden moitteeton toiminta.



Käyttöturvallisuuden varmistamiseksi käytä vain alkuperäisiä varaosia ja käyttömateriaaleja. **Hiltin** tälle tuotteelle hyväksymiä varaosia, kulutusmateriaaleja ja lisävarusteita löydät **Hilti Store** -liikkeestä tai osoitteesta: www.hilti.group

7.1 Suojalaitteiden puhdistus

1. Irrota sahanterä. → Sivu 103
2. Puhdista suojalaitteet varovasti kuivalla harjalla.
3. Poista suojalaitteiden sisälle kertynyt massa ja lastut sopivalla työkalulla.
4. Kiinnitä sahanterä. → Sivu 102

7.2 Poistoimuadapterin ja liitántäletkun puhdistus 17

1. Irrota pölypussi tai pölynpoistovarustuksen liitetty imuletku.
2. Avaa liitántäletkun kiinnitysruuvi sahapäässä (1).
3. Vedä liitántäletku irti sahapäästä (2) ja poistoimuadapterista.
4. Tyhjennä liitántäletku ja puhdista se kuivalla harjalla.
5. Puhdista lastukanava sahapäässä ja poistoimuadapterissa kuivalla harjalla.
6. Kiinnitä liitántäletku takaisin poistoimuadapteriin ja sahapäähän.
7. Kiristä liitántäletkun kiinnitysruuvi kiinni sahapäähän.
8. Kiinnitä pölypussi tai liitä pölynpoistovarustus takaisin. → Sivu 102

7.3 Pölypussin tyhjennys 18

1. Vedä pölypussi irti poistoimuadapterista.
2. Avaa pölypussin vetoketju ja hävitä pussin sisältö asianmukaisesti.
3. Sulje pölypussin vetoketju.
4. Kiinnitä pölypussi takaisin poistoimuadapteriin. → Sivu 102



7.4 Säättöjen ja näyttöjen tarkastus ja hienosäätö

Jiirikatkaisusaha on tehtaalta säädetty ja hienosäädetty huolellisesti. Silti saattaa sahan runsaan käytön tai karkean käsittelyn jälkeen olla tarpeen tarkastaa sahan säädöt ja näytöt ja tarvittaessa hienosäätää ne.

Sahan tarkastamiseen ja hienosäätämiseen tarvitaan kokemusta ja erikoistyökälu.

Hilti suosittelee, että sahan hienosäätö teetetään **Hilti**-huollossa.



Kaikissa tarkastus- ja säätötöissä älä koske kulmatulkilli sahanterän hampaiden kärkiä. Sen seurauksena olisi virheellinen mittausta. Kulmatulkin pitää aina vastata runkolevyä.

7.4.1 Pystysuuntaisen jiirikulman tarkastus

1. Työnnä sahapää rajoittimeen saakka taaksepäin (itsestäsi pois päin).
2. Säädä syvyyssrajoittimen vastinlevy siten, että syvyyssrajoitin sahapäästä laskettaessa menee aukon läpi.
→ Sivü 103
3. Säädä vaakasuuntaiseksi jiirikulmaksi 0°.
4. Paina sahapää alas ja työnnä kuljetusvarmistin sisään sahapään lukitsemiseksi.
5. Säädä pystysuuntaiseksi jiirikulmaksi 0°.
6. Säädä kulmatulkki arvoon 90°.
7. Aseta kulmatulkki pystysuoraan ja sahapöydän tasalle.
8. Liikuta kulmatulkki sahanterään.
 - ▶ Kulmatulkin pitää linjan koko matkalla olla sahanterän tasalla.
9. Säädä pystysuuntaiseksi jiirikulmaksi 45° oikealle.
10. Säädä kulmatulkki arvoon 45° (vaihtoehtoisesti arvoon 135° mitattaessa vasemmalta puolelta).
11. Aseta kulmatulkki pystysuoraan ja sahapöydän tasalle.
12. Liikuta kulmatulkki sahanterään.
 - ▶ Kulmatulkin pitää linjan koko matkalla olla sahanterän tasalla.
13. Toista nämä vaiheet pystysuuntaiselle jiirikulmalle 45° vasemmalle.

Tulos 1 / 2

Kulmatulkin pitää jokaisessa kolmessa mittauksessa olla linjan koko matkalla sahanterän tasalla.

- ▶ Saha on oikein hienosäädetty.

Tulos 2 / 2

Kulmatulkki ja sahanterä eivät yhdessä tai useammassa mittauksessa ole samalla tasalla.

- ▶ Ota yhteys **Hilti**-huoltoon.

7.4.2 Pystysuuntaisen jiirikulman osoittimen hienosäätö

1. Tarkasta pystysuuntaisen jiirikulman täsmällinen tarkkuus. → Sivü 109
2. Säädä pystysuuntaiseksi jiirikulmaksi 0°.
3. Löystytä pystysuuntaisen jiirikulman toisen osoittimen kiinnitysruuvi ja säädä se tarkasti arvoon 0°.
4. Kiristä kiinnitysruuvi kiinni käsiitiukkuuteen. Pidä tällöin osoitin tarkasti näyttökohdassa 0°.
5. Tarvittaessa toista nämä vaiheet pystysuuntaisen jiirikulman toiselle osoittimelle.
6. Tarkasta, että todellinen pystysuuntainen jiirikulma ja kummatkin kulman 45° oikealle ja 45° vasemmalle osoittimet vastaavat toisiaan.
 - ▶ Jos tarkastettaessa yhdessä tai useammassa kohdassa osoittimet eivät vastaa todellista kulmaa eikä hienosäätö riitä, ota yhteys **Hilti**-huoltoon.

7.4.3 Vaakasuuntaisen jiirikulman tarkastus

1. Työnnä sahapää rajoittimeen saakka taaksepäin (itsestäsi pois päin).
2. Säädä syvyyssrajoittimen vastinlevy siten, että syvyyssrajoitin sahapäästä laskettaessa menee aukon läpi.
→ Sivü 103
3. Säädä pystysuuntaiseksi jiirikulmaksi 0°.
4. Paina sahapää alas ja työnnä kuljetusvarmistin sisään sahapään lukitsemiseksi.
5. Säädä vaakasuuntaiseksi jiirikulmaksi 0°.
6. Säädä kulmatulkki arvoon 90°.
7. Aseta kulmatulkki lappeelleen sahapöydälle ja jiiriohjaimen tasalle.
8. Liikuta kulmatulkki sahanterään.
 - ▶ Kulmatulkin pitää linjan koko matkalla olla sahanterän tasalla.
9. Säädä vaakasuuntaiseksi jiirikulmaksi 45° oikealle.



10. Säädä kulmatulkki arvoon 45° (vaihtoehtoisesti arvoon 135° mitattaessa vasemmalta puolelta).
11. Aseta kulmatulkki lappeelleen sahapöydälle ja jiiriohjaimen tasalle.
12. Liikuta kulmatulkki sahanterään.
 - ▶ Kulmatulkin pitää linjan koko matkalla olla sahanterän tasalla.
13. Toista nämä vaiheet vaakasuuntaiselle jiirikulmalle 45° vasemmalle.

Tulos 1 / 2

Kulmatulkin pitää jokaisessa kolmessa mittauksessa olla linjan koko matkalla sahanterän tasalla.

- ▶ Saha on oikein hienosäädetty.

Tulos 2 / 2

Kulmatulkki ja sahanterä eivät yhdessä tai useammassa mittauksessa ole samalla tasalla.

- ▶ Hienosäädä vaakasuuntainen jiirikulma tai ota yhteys **Hilti**-huoltoon. → Sivu 110

7.4.4 Vaakasuuntaisen jiirikulman ja asteikon hienosäätö 20

1. Lukitse kääntölevy asentoon 0°.
2. Löystytä kääntölevyn kiristysnuppi.
3. Löystytä vaakasuuntaisen jiirikulman asteikon neljä kiinnitysruuvia.
4. Säädä kulmatulkki arvoon 90°.
5. Aseta kulmatulkki lappeelleen sahapöydälle ja jiiriohjaimen tasalle.
6. Liikuta kulmatulkki sahanterään. Hienosäädä kääntölevy ja vaakasuuntaisen jiirikulman asteikko kulmatulkin mukaisesti.
 - ▶ Kulmatulkin pitää linjan koko matkalla olla sahanterän tasalla.
7. Kiristä kääntölevyn kiristysnuppi kiinni, jotta kääntölevy ei pääse liikkumaan.
8. Kiristä vaakasuuntaisen jiirikulman asteikon neljä kiinnitysruuvia kiinni.
9. Tarkasta vaakasuuntaiset jiirikulmat 45° oikealle ja 45° vasemmalle. → Sivu 109

Tulos 1 / 2

Kun vaakasuuntainen jiirikulma on 45° oikealle ja 45° vasemmalle, kulmatulkin pitää linjan koko matkalla olla sahanterän tasalla.

- ▶ Saha on oikein hienosäädetty.

Tulos 2 / 2

Kulmatulkki ja sahanterä eivät yhdessä tai useammassa mittauksessa ole samalla tasalla.

- ▶ Ota yhteys **Hilti**-huoltoon.

7.4.5 Vaakasuuntaisen jiirikulman osoittimen hienosäätö 21

1. Tarkasta vaakasuuntaisen jiirikulman täsmällinen tarkkuus. → Sivu 109
2. Tarvittaessa hienosäädä vaakasuuntainen jiirikulma. → Sivu 110
3. Säädä vaakasuuntaiseksi jiirikulmaksi 0°.
4. Löystytä vaakasuuntaisen jiirikulman toisen osoittimen kiinnitysruuvi ja säädä se tarkasti arvoon 0°.
5. Kiristä kiinnitysruuvi kiinni käsitiukkuuteen. Pidä tällöin osoitin tarkasti näyttökohdassa 0°.
6. Tarvittaessa toista nämä vaiheet vaakasuuntaisen jiirikulman toiselle osoittimelle.
7. Tarkasta, että todellinen vaakasuuntainen jiirikulma ja kummatkin kulman 45° oikealle ja 45° vasemmalle osoittimet vastaavat toisiaan.
 - ▶ Jos tarkastettaessa yhdessä tai useammassa kohdassa osoittimet eivät vastaa todellista kulmaa eikä hienosäätö riitä, ota yhteys **Hilti**-huoltoon.

7.5 Pölynkerääjän vaihto 22**VAARA**

Väärin kiinnitetty ohjain aiheuttaa loukkaantumisvaaran. Jos ohjain kiinnitetään väärinpäin, sahanterä voi juuttua. Ohjain tai sahanterä voivat murtua, jolloin osia voi sinkoutua ympäriinsä.

- ▶ Ohjainta kiinnittäessäsi varmista, että kiinnität sen oikeinpäin. Ohjaimen jousikuormitetun osan pitää osoittaa sahanterästä poispäin.

1. Avaa kiinnitysruuvit **(1)** toiselta puolelta ja irrota ohjain **(3)**.
2. Avaa kiinnitysruuvit vastakkaiselta puolelta ja irrota toinen ohjain ja pölynkerääjä **(2)**.
3. Laita uusi pölynkerääjä **(2)** ja toinen ohjain **(3)** paikoilleen.
 - ▶ Varmista, että ohjain on oikeassa asennossa.
4. Kiinnitä kummatkin osat kiinnitysruuveilla.



5. Kiinnitä toinen ohjain ja pölynkerääjä vastakkaiselle puolelle.
 - ▶ Varmista, että ohjain on oikeassa asennossa.
 - ▶ Tarkasta pölynkerääjän ja kummankin ohjaimen kunnollinen kiinnitys.

7.6 Uralevyjen vaihto

Uralevyt on tehtaalta säädetty siten, etteivät ne pääse koskettamaan sahanterää. Käytön myötä uralevyt kuitenkin voivat kuluua. Uralevyjä on saatavissa **Hilti**ltä varaosina. Tuotteen käyttäjä pystyy vaihtamaan ne nopeasti ja vaivattomasti.

1. Avaa uralevyjen kaikki kiinnitysruuvit ja hävitä kuluneet uralevyt asianmukaisesti.
2. Aseta uudet uralevyt paikoilleen.
3. Kiristä kiinnitysruuvit kevyesti kiinni, jotta uralevyjä pystyy vielä liikuttamaan.
4. Säädä uralevyjen asento siten, ettei sahanterä pääse koskettamaan niitä.
 - ▶ Erityisesti tarkasta etenkin suurimmilla jirrikulmilla vasemmalle ja oikealle.
 - ▶ Tarkasta myös kaikilla muilla vaaka- ja pystysuuntaisilla jirrikulmilla.
5. Säättämisen päätteeksi kiristä kaikki kiinnitysruuvit kiinni käsitrukkuteen.

8 Akkukäyttöisten työkalujen ja akkujen kuljetus ja varastointi

Jiirikatkaisusahan kuljettaminen

Suorita seuraavat vaiheet ennen sahan kuljettamista:

- ▶ Työnnä sahapää rajoittimeen saakka taaksepäin (itsestäsi pois päin).
- ▶ Lukitse työnnin. → Sivu 103
- ▶ Säädä syvyyserajoittimen vastinlevy siten, että syvyyserajoitin sahapäätä laskettaessa menee aukon läpi. → Sivu 103
- ▶ Säädä pystysuuntaiseksi jirrikulmaksi 0°.
- ▶ Paina sahapää alas ja työnnä kuljetusvarmistin sisään sahapään lukitsemiseksi.
- ▶ Tarvittaessa työnnä lisätuet täysin sisään. → Sivu 103
- ▶ Säädä vaakasuuntainen jirrikulma rajoittimeen saakka oikealle (60°) ja lukitse kääntölevy.
- ▶ Poista kaikki lisäosat (esimerkiksi ruuvipuristimet), joita kuljettamisen ajaksi ei ole mahdollista kiinnittää sahaan.
- ▶ Tarvittaessa irrota kiristysnappi ja kiinnitä se johonkin kiinnityskohtaan ylemmän jirriohjaimen taustapuolella.

Kanna sahaa vain siihen tarkoitettuista kohdista:

- Kahvasyvennykset lisätukien alapuolella **(1)**
- Kahvasyvennyksen taustapuolella pölyn poistoimun vieressä **(2)**
- Käsikahva sahapäässä **(3)**

Akkujen kuljettaminen

VAROITUS

Käynnistyminen vahingossa kuljetuksen aikana !

- ▶ Kuljeta tuotteesi aina akku irrotettuna!
-
- ▶ Irrota akku/akut.
 - ▶ Älä koskaan kuljeta akkuja irrallaan muiden tavaroiden joukossa. Akut on suojattava kuljetuksen ajaksi kovilta iskuilta ja värinäältä, ja ne on eristettävä kaikenlaisista sähköä johtavista materiaaleista ja muista akuista, jotta niiden navat eivät pääse kosketuksiin muiden akkujen napojen kanssa. Seurauksena saattaisi olla oikosulku. **Noudata maakohtaisia akkujen kuljetusmääräyksiä.**
 - ▶ Akkuja ei saa lähettää postitse. Käännä kuljetusyrityksen puoleen, kun haluat lähettää vauriottomia akkuja.
 - ▶ Tarkasta tuotteen ja akun mahdolliset vauriot aina ennen käyttöä sekä ennen pitkää kuljetusta ja sen jälkeen.

Varastointi

VAARA

Viallinen tai vuotava akku voi aiheuttaa vaurioita !

- ▶ Varastoi tuotteesi aina akku irrotettuna!
-
- ▶ Varastoi tuote ja akut viileässä ja kuivassa paikassa. Ota teknisissä tiedoissa annetut lämpötilarat huomioon.



- ▶ Akkuja ei saa säilyttää laturissa. Irrota akku laturista aina latauksen päätyttyä.
- ▶ Älä koskaan varastoi akkuja auringonpaisteessa, lämmönlähteen päällä tai ikkunan vieressä.
- ▶ Varastoi tuote ja akut lasten ja asiattomien henkilöiden ulottumattomissa.
- ▶ Tarkasta tuotteen ja akun mahdolliset vauriot aina ennen käyttöä sekä ennen pitkää varastointia ja sen jälkeen.

9 Apua häiriötilanteisiin

Kaikkissa häiriötilanteissa tarkkaile akun tilanäyttöä. Ks. kappale **Litiumioniakun merkkivalot**.

Häiriöissä, joita ei ole kuvattu tässä taulukossa tai joita et itse pysty poistamaan, ota yhteys **Hilti**-huoltoon.

Häiriö	Mahdollinen syy	Ratkaisu
Kierroslukua laskee yhtäkkiä runsaasti.	Akku tyhjentynyt. Työskentelyvoima liian suuri.	▶ Lataa akku. ▶ Kevvennä työskentelyvoimaa ja kytke tuote takaisin päälle.
Sahanterä pysähtyy.	Työskentelyvoima liian suuri.	▶ Kevvennä työskentelyvoimaa ja kytke tuote takaisin päälle.
Ei moottorin jarrutustoimintoa.	Akku tyhjentynyt.	▶ Lataa akku.
Sahauskulmat ovat epätarkat.	Kulmatarkkuus, asteikot tai osoittimet siirtyneet.	▶ Tarkasta ja hienosäädä säädöt ja osoittimet. → Sivu 109 ▶ Jos et itse pysty hienosäätämään jotakin säätöä tai jos sahan tarkkuus poikkeaa runsaasti, ota yhteys Hilti -huoltoon.
Akun LED-merkkivalot eivät näytä mitään	Akku rikki	▶ Ota yhteys Hilti -huoltoon.

10 Hävittäminen



VAARA

Määräystenvastaisten hävittäminen aiheuttaa loukkaantumisvaaran! Ulos vuotavat kaasut tai nesteet vaarantavat terveyden.

- ▶ Älä lähetä vaurioituneita akkuja!
- ▶ Peitä liitännät sähköä johtamattomalla materiaalilla oikosulkujen välttämiseksi.
- ▶ Hävitä akut siten, etteivät ne voi joutua lasten käsiin.
- ▶ Hävitä akku viemällä se **Hilti Store** -liikkeeseen tai käännä vastuullisen jätteenkäsittely-yrityksen puoleen.

Hilti-tuotteet on pääosin valmistettu kierrätyskelpoisista materiaaleista. Kierrätyksen edellytys on materiaalien asianmukainen lajittelu. Useissa maissa **Hilti** ottaa vanhat koneet ja laitteet vastaan kierrätystä ja hävitystä varten. Lisätietoja saat **Hilti**-huollosta tai -edustajalta.



- ▶ Älä hävitä sähkötyökaluja, elektronisista laitteita ja akkuja tavallisen sekajätteen mukana!

11 Valmistajan myöntämä takuu

- ▶ Jos sinulla on takuuehtoihin liittyviä kysymyksiä, ota yhteys paikalliseen **Hilti**-edustajaan.

12 Lisätietoja

Lisätietoa käytöstä, tekniikasta, ympäristöstä ja kierrätyksestä saat seuraavasta linkistä: qr.hilti.com/manual/?id=2395172&id=2395174

Tämä linkki on myös QR-koodina käyttöohjeen lopussa.



Originaalkasutusjuhend

1 Andmed kasutusjuhendi kohta

1.1 Käesoleva käsitsemisjuhendi kohta

- Hoiatus! Enne toote kasutamist veenduge, et olete tootele lisatud kasutusjuhendi, sealhulgas juhised, ohutus- ja hoiatusviited, joonised ja spetsifikatsioonid, läbi lugenud ja sellest aru saanud. Tutvuge eriti kõigi juhiste, ohutus- ja hoiatusviidete, jooniste, spetsifikatsioonide ning komponentide ja funktsioonidega. Selle eiramisel esineb elektrilöögi, tulekahju ja/või raskete vigastuste oht. Hoidke kasutusjuhend koos kõigi juhiste, ohutus- ja hoiatusviidetega hilisemaks kasutamiseks alles.
- Lisatud kasutusjuhend vastab tehnika käesolevale tasemele trükki andmise ajal. Uusima versiooni leiate alati veebist Hilti toote leheküljelt. Järgige selleks sümboliga tähistatud linki või QR-koodi käesolevas kasutusjuhendis.
- Andke toode teistele edasi ainult koos käesoleva kasutusjuhendiga!

1.2 Märkide selgitus

1.2.1 Hoiatused

Hoiatused annavad märku toote kasutamisel tekkivatest ohtudest. Kasutatakse järgmisi märksõnu:

OHT

OHT !

- ▶ Võimalikud ohtlikud olukorrad, mis võivad põhjustada kasutaja raskeid kehavigastusi või hukkumist.

HOIATUS

HOIATUS !

- ▶ Võimalik ohtlik olukord, mis võib põhjustada kasutaja raskeid kehavigastusi või hukkumist.

ETTEVAATUST

ETTEVAATUST !

- ▶ Võimalikud ohtlikud olukorrad, mis võivad põhjustada kehavigastusi või varalist kahju.

1.2.2 Sümbolid kasutusjuhendis

Käesolevas kasutusjuhendis kasutatakse järgmisi sümboleid:

	Järgige kasutusjuhendit
	Soovitusi seadme kasutamiseks ja muu kasulik teave
	Taaskasutatavate materjalide käsitsemine
	Elektrilisi tööriistu ja akusid ei tohi visata olmejäätmete hulka
	Hilti Li-Ion-aku
	Hilti Laadimisseade

1.2.3 Joonistel kasutatud sümbolid

Joonistel kasutatakse järgmisi sümboleid.

	Numbrid viitavad vastavatele joonistele kasutusjuhendi juhendi alguses.
	Numbrid joonistel tähistavad tähtsaid toiminguid või toimingute jaoks tähtsaid detaile. Tekstis tõstatatakse need toimingud või detailid vastava numbril abil esile, näiteks (3) .
	Positsiooninumbrid kasutatakse joonisel Ülevaade ja need viitavad selgituste numbritele toote ülevaates .
	See märk näitab, et toote käsitsemisel tuleb olla eriti tähelepanelik.



1.3 Tootepõhised sümbolid

1.3.1 Üldised sümbolid

Sümbolid, mida kasutatakse kombinatsioonis seadmega.

	Toote toetab NFC-tehnoloogiat, mis ühildub iOS- ja Android-platvormidega.
	Alalisvool
n_0	Nimipöörlemiskiirus tühikäigul
	Läbimõõt
	Saelehe mõõtmed
	Ärge vaadake otse valgusallikasse.
Li-Ion	Liitumioonaku
	Ärge kunagi lööge akut mingi esemega ja ärge kasutage akut kunagi lõõgiriistana.
	Ärge laske akul kunagi maha kukkuda. Ärge kasutage akut, mis on saanud löögi või on muul moel kahjustatud.

1.3.2 Keelumärgid

Keelumärgid viitavad keelatud tegevustele.

	Ohutsoon! Hoidke käed, sõrmed, käsivarred sellest tsoonist eemal.
--	---

1.3.3 Kohustavad märgid

Kohustavad märgid viitavad kohustuslikele tegevustele.

	Kasutage kõrvklappe
	Kasutage kaitseprille

1.4 Tooteinfo

HILTI tooted on ette nähtud professionaalsele kasutajale ja neid tohivad käsitseda, hooldada ja korras hoida ainult volitatud ja asjaomase väljaõppega isikud. Nimetatud personal peab olema teadlik kõikidest kaasnevatest ohtudest. Seade ja sellega ühendatavad abivahendid võivad osutada ohtlikuks, kui neid ei kasutata nõuetekohaselt või kui nendega töötab vastava väljaõppeta isik.

Tüübitähis ja seerianumber on tüübisildil.

- Kandke seerianumber järgmisse tabelisse. Andmeid toote kohta vajate meie esindusele või hooldekeskuste päringute esitamisel.

Tooteinfo

Akuga pendelsaag	SM 60-22
Põlvkond	01
Seerianumber	

1.5 Vastavusdeklaratsioon

Seadme tootja kinnitab ainuvastutajana, et käesolevas kasutusjuhendis kirjeldatud seade vastab kehtivate õigusaktide nõuetele ja kehtivatele standarditele. Vastavusdeklaratsiooni koopia leiате käesoleva kasutusjuhendi lõpust.

Tehnilised dokumendid on saadaval:

Hilti Entwicklungsgesellschaft mbH | Zulassung Geräte | Hiltistraße 6 | 86916 Kaufering, DE



2 Ohutus

2.1 Üldised ohutusnõuded elektriliste tööriistade kasutamisel

⚠ HOIATUS! Lugege kõiki selle elektrilise tööriista juurde kuuluvaid ohutusjuhiseid, nõuandeid, jooniseid ja tehnilisi andmeid! Järgmiste juhiste eiramise tagajärg võib olla elektrilöök, tulekahju ja/või rasked vigastused.

Hoidke kõik ohutusnõuded ja juhised edaspidiseks kasutamiseks alles.

Ohutusjuhistes kasutatud mõiste "elektriline tööriist" käib võrgutoiteta (toitejuhtmega) elektriliste tööriistade või akutoiteta (toitejuhtmeta) elektriliste tööriistade kohta.

Ohutus töökojal

- ▶ **Hoidke oma töökoht puhas ja valgustage seda korralikult.** Korrastamata ja valgustamata töökoht võib põhjustada õnnetusi.
- ▶ **Ärge kasutage elektrilist tööriista plahvatusohtlikus keskkonnas, kus leidub tuleohtlikke vedelikke, gaase või tolmu.** Elektrilistest tööriistadest lööb sädemeid, mis võivad tolmu või auru süüdata.
- ▶ **Hoidke lapsed ja kõik teised töökohest eemal, kui kasutate elektrilist tööriista!** Kui teie tähelepanu juhitakse kõrvale, võib seade teie kontrolli alt väljuda.

Elektriohutus

- ▶ **Elektrilise tööriista pistik peab sobima pistikupessa.** Pistiku juures ei tohi teha mingeid muudatusi. **Kaitsemaandusega seadmete puhul ei tohi kasutada adapterpistikuid.** Muutmata pistikud ja sobivad pistikupesad vähendavad elektrilöögiohtu.
- ▶ **Vältige keha kontakti maandatud pindadega (nt toru, radiaator, pliit, külmik).** Kui teie keha on maandatud, on elektrilöögi oht suurem.
- ▶ **Kaitske elektrilist tööriista vihma ja niiskuse eest.** Kui elektrilise tööriista sisemusse satub vett, suurendab see elektrilöögiohtu.
- ▶ **Ärge kasutage ühenduskaablit elektrilise tööriista kandmiseks, riputamiseks ega pistiku stepslist väljatõmbamiseks!** Hoidke ühenduskaablit eemal kuumusest, õlidest, teravatest servadest ja liikuvatest osadest. Kahjustatud või keerdus ühenduskaablid suurendavad elektrilöögiohtu.
- ▶ **Kui töotate elektrilise tööriistaga vabas õhus, kasutage ainult selliseid pikendusjuhtmeid, mida tohib kasutada ka välitingimustes.** Välitingimustes sobiva pikendusjuhtme kasutamine vähendab elektrilöögiohtu.
- ▶ **Kui seadmega töötamine niiskes keskkonnas on vältimatu, kasutage rikkevoolu kaitselüliti.** Rikkevoolu kaitselüliti kasutamine vähendab elektrilöögiohtu.

Inimeste ohutus

- ▶ **Olge tähelepanelik, jälgige, mida teete, ja toimige elektrilise tööriistaga töötades kaalutletult.** Ärge tõtate elektrilise tööriistaga, kui olete väsinud või alkoholi, narkootikumide või ravimite mõju all! **Hetkeline tähelepanematus elektrilise tööriista kasutamisel võib põhjustada raskeid kehavigastusi ja varalist kahju.**
- ▶ **Kandke isiklikke kaitsevahendeid ja alati kaitseprille.** Isiklike kaitsevahendite, nt tolmu maski, libisemiskindlate turvajalatsite, kaitsekiivri või kuulmiskaitsevahendite kandmine (sõltuvalt elektrilise tööriista tüübist ja kasutusalasest) vähendab vigastusohu.
- ▶ **Vältige elektrilise tööriista soovimatut käivitamist!** Enne elektrilise tööriista ühendamist vooluvõrku ja/või elektrilise tööriista aku paigaldamist, tööriista ülestõstmist ja kandmist veenduge, et elektriline tööriist on välja lülitatud! Kui hoiate elektrilise tööriista kandmisel sõrme lüliti või ühendate vooluvõrku sisselülitatud tööriista, võib juhtuda õnnetus.
- ▶ **Enne elektrilise tööriista sisselülitamist eemaldage selle küljest seade- ja mutrivõtmed.** Elektrilise tööriista pöörleva osa küljes olev seade- või mutrivõti võib põhjustada vigastusi.
- ▶ **Vältige ebatavalist tööasendit!** Võtke stabiilne tööasend ja säilitage alati tasakaal. Nii saate elektrilist tööriista ootamatutes olukordades paremini kontrollida.
- ▶ **Kandke sobivat rõivastust.** Ärge kandke laiu riideid ega ehteid! Hoidke juuksed, rõivad ja kindad seadme liikuvatest osadest eemal. Lotendavad riided, ehted ja pikad juuksed võivad sattuda seadme liikuvate osade vahele.
- ▶ **Kui elektrilise tööriista külge on võimalik paigaldada tolmu eemaldus- ja kogumisseadiseid, veenduge, et need on tööriistaga ühendatud ja et neid kasutatakse nõuetekohaselt.** Tolmu eemaldusseadise kasutamine võib vähendada tolmust tingitud ohte.
- ▶ **Ärge laske tekkida petlikul turvatundel ega eirake elektrilise tööriista ohutusreegleid isegi siis, kui olete pärast paljukordset kasutamist elektrilise tööriistaga harjunud.** Tähelepanematu käsitsemine võib sekundi mürdosa jooksul kaasa tuua raskeid vigastusi.



Elektrilise tööriista kasutamine ja käsitsemine

- ▶ **Ärge koormake seadet üle! Kasutage konkreetseks tööks sobivat elektrilist tööriista.** See töötab ettenähtud jõudluspiirides tõhusamalt ja ohutumalt.
- ▶ **Ärge kasutage elektrilist tööriista, mille lüliti on rikkis!** Elektriline tööriist, mida ei saa enam lülitist korralikult sisse ja välja lülitada, on ohtlik ning tuleb viia parandusse.
- ▶ **Tõmmake enne seadme mis tahes seadetöid, tarvikute vahetamist ja seadme hoiuolepanekut pistik pistikupesast välja ja/või eemaldage äravõetav aku.** See ettevaatusabinõu hoiab ära seadme soovimatu käivitumise.
- ▶ **Kasutusvälisel ajal hoidke elektrilist tööriista lastele kättesaamatus kohas.** Ärge laske seadet kasutada isikutel, kes seadme tööpõhimõtet ei tunne või ei ole lugenud käesolevaid kasutusjuhendeid. Asjatundmatute isikute käes on elektrilised tööriistad ohtlikud.
- ▶ **Hooldage elektrilisi tööriistu ja tarvikuid korralikult. Kontrollige, kas liikuvad osad töötavad veatult ega kiilu kiini.** Veenduge, et seadme osad ei ole murdunud või kahjustatud määral, mis mõjutab seadme töökindlust. Laske kahjustatud osad enne seadme kasutamist parandada. Ebapiisavalt hooldatud elektrilised tööriistad põhjustavad õnnetusi.
- ▶ **Hoidke lõiketarvikud teravad ja puhtad.** Hästi hooldatud, teravate lõikeservadega lõiketarvikud kiiluvad harvemini kinni ja neid on lihtsam juhtida.
- ▶ **Kasutage elektrilist tööriista, tarvikuid ja lisatarvikuid vastavalt nendele juhiste.** Arvestage seejuures töötingimuste ja tehtava töo iseloomuga. Elektrilise tööriista kasutamine otstarbel, milleks see ei ole ette nähtud, võib põhjustada ohtlikke olukordi.
- ▶ **Käepidemed ja haardepinnad peavad olema kuivad, puhtad ning vabad õlist ja rasvast.** Libedad käepidemed ja haardepinnad ei võimalda elektrilist tööriista ootamatutes olukordades kindlalt käsitseada ega kontrollida.

Akuga tööriista kasutamine ja käsitsemine

- ▶ **Laadige akusid ainult tootja soovitatud laadimisseadmega.** Kui teatud tüüpi aku laadimiseks ettenähtud laadimisseadet kasutatakse teist tüüpi akude laadimiseks, tekib tulekahjuoht.
- ▶ **Kasutage elektrilistes tööriistades ainult ettenähtud akusid.** Teist tüüpi akude kasutamine võib põhjustada vigastus- ja põlenguohtu.
- ▶ **Hoidke akud kasutusvälisel ajal eemal kirjaklambritest, müntidest, võtmetest, naeltest, kruvidest ja teistest väikestest metallesemetest, mis võivad aku kontaktid omavahel ühendada.** Aku kontaktide vahel tekiv lühis võib põhjustada põletuse või tulekahju.
- ▶ **Väärkasutuse korral võib akuvedelik akust välja voolata. Vältige sellega kokkupuudet. Juhusliku kokkupuute korral loputage kahjustatud kohta veega.** Kui vedelik satub silma, otsige ka arstiabi. Väljavoolav akuvedelik võib põhjustada nahaärritust või põletust.
- ▶ **Ärge kasutage kahjustatud ega modifitseeritud akut!** Kahjustatud või modifitseeritud akud võivad käituda ettenägematult ja põhjustada tulekahju, plahvatusi või vigastusohtu.
- ▶ **Ärge laske akul kokku puutuda tule ega liiga kõrge temperatuuriga!** Tuli või temperatuur üle 130 °C (265 °F) võivad tekitada plahvatuse.
- ▶ **Järgige kõiki laadimisjuhiseid ja ärge kunagi laadige akut ega akutööriista väljaspool kasutusjuhendis näidatud temperatuurivahemikku.** Väär laadimine või laadimine väljaspool lubatud temperatuurivahemikku võib kahjustada akut ja suurendada tuleohtu.

Hooldus

- ▶ **Laske elektrilist tööriista parandada ainult kvalifitseeritud spetsialistidel, kes kasutavad originaalvaruosi.** Nii on tagatud elektrilise tööriista ohutu töö.
- ▶ **Ärge hooldage kahjustatud akut!** Akut võib hooldada ainult tootja või volitatud klienditeenindus.

2.2 Pendelsaagide ohutusjuhised

- ▶ **Pendelsaed on ette nähtud puidu või puidulaadsete toodete lõikamiseks, seda ei tohi kasutada rauasulamite, nagu latid, vardad, kruvid jne lõikamiseks.** Abrasiivne tolm põhjustab liikuvate osade, nagu alumise kaitsekatte, blokeerumist. Lõikesädemed põletavad kaitsekate, sisestusplaati ja muid plastosasid.
- ▶ **Kinnitage töödeldav detail võimalusel fiksaatoritega.** Kui hoiate töödeldavat detaili käega paigal, peate oma kätt hoidma saelehe mõlemast küljest alati vähemalt 100 mm (4 tolli) kaugusel. Ärge kasutage seda saagi selliste detailide lõikamiseks, mis on liiga väiksed nii kinnitamiseks kui ka käega kinni hoidmiseks. Kui teie käsi on saelehele liiga lähedal, esineb saelehega kokkupuutest tingitud suurenenud vigastusoht.
- ▶ **Töödeldav detail peab olema liikumatu ja kas kinnitatud või piiriku ja laua vastu surutud.** Ärge lükake töödeldavat detaili saelehte ja ärge lõigake kunagi Schieben Sie das Werkstück nicht in das



Sägeblatt, und schneiden Sie nie „vabade kätega“. Lahtised või liikuvad töödeldavad detailid võivad suure kiirusega välja paiskuda ja vigastusi põhjustada.

- ▶ **Lükake saag läbi töödeldava detaili. Vältige sae tõmbamist läbi töödeldava detaili. Lõike tegemiseks tõstke saepea üles ja tõmmake see üle töödeldava detaili, ilma lõikamata. Seejärel lülitage mootor sisse, kallutage saepea alla ja suruge saag läbi töödeldava detaili.** Tõmbava lõike korral on oht, et saeleht tõuseb töödeldava detaili peal üles ja saelehe üksus paisatakse järsult käitaja suunas.
- ▶ **Ärge ristake kunagi kätt ettenähtud lõikejoonega, ei saelehe ees ega taga.** Töödeldava detaili toetamine „ristatud kätega“, st detaili hoidmine saelehe paremal pool vasaku käega või vastupidi on väga ohtlik.
- ▶ **Ärge sirutage pöörleva saelehe korral kunagi piiriku taha. Ärge kunagi jääge allapoole ohutust kaugusest 100 mm (4 tolli) käe ja pöörleva saelehe vahel (kehtib saelehe mõlemal küljel, nt puidujääkide eemaldamisel).** Pöörleva saelehe lähedus teie käele ei pruugi olla tajutav ja te võite raskelt viga saada.
- ▶ **Kontrollige töödeldavat detaili enne lõikamist. Kui töödeldav detail on paindunud või väändunud, pingutage seda väljapoole kaardunud küljega piiriku vastu. Veenduge alati, et piki lõikejoont ei oleks töödeldava detaili, piiriku ja laua vahel tühimikku.** Väändunud või paindunud töödeldavad detailid võivad takerduda või nihkuda ning põhjustada lõikamisel pöörleva saelehe kinnijäämist. Töödeldavas detailis ei tohi olla naelu ega võrkehasid.
- ▶ **Kasutage saagi alles siis, kui pink on vaba tööriistadest, puidujääkidest jne: laual tohib olla ainult töödeldav detail.** Väiksed jäägid, lahtised puidutükid või muud esemed, mis satuvad pöörleva saelehega kokkupuutesse, võidakse suure kiirusega eemale paisata.
- ▶ **Lõigake korraga ainult ühte töödeldavat detaili.** Mitmekordselt virmastatud töödeldavaid detaile ei saa piisavalt pingutada ega kinni hoida ja need võivad saagimisel põhjustada saelehe kinnijäämist või libisemist.
- ▶ **Kandke hoolt selle eest, et pendelsaag oleks enne kasutamist tasasel, kindlal tööpinnaal.** Tasane ja kindel tööpind vähendab ohtu, et pendelsaag ebastabiilseks muutumise ohtu.
- ▶ **Planeerige oma tööd. Jälgige igal saelehe kalde reguleerimisel, et reguleeritav piirik oleks nõuetekohaselt reguleeritud ja töödeldav detail oleks toetatud, ilma et see saelehe või kaitsekattega kokku puutuks.** Ilma masinat sisse lülitamata ja ilma töödeldava detailita saepingil tuleb simuleerida saelehe täielikku lõikeliigutust, et veenduda, et ei esine takistusi ega piirkusse sisselõikamise ohtu.
- ▶ **Kandke töödeldavate detailide puhul, mis on laua pealmisest küljest laiemad või pikemad hooft piisava toetuse eest, nt lauapikenduste või saepukkidega.** Töödeldavad detailid, mis on pendelsae lauast pikemad või laiemad, võivad kalduda, kui need ei ole kindlalt toetatud. Kui mahalõigatud puidutükk või töödeldav detail kaldub, võib see alumise kaitsekatte üles tõsta või see võidakse pöörleva saelehe poolt kontrollimatult viisil eemale paisata.
- ▶ **Ärge kaasake teist isikut lauapikenduse asenduse ega täiendava toetusena.** Töödeldava detaili ebastabiilne toetamine võib põhjustada lehe kinnijäämist. Samuti võib töödeldav detail lõikamise ajal paigast nihkuda ning teid ja abilisest pöörleva saelehe suunas tõmmata.
- ▶ **Mahalõigatud osa ei tohi vastu pöörlevat saelehte suruda.** Kui on vähe ruumi, nt vertikaalsete piirkute kasutamisel, võib mahalõigatud tükk saelehe vahele kinni kiiluda ja see võidakse järsult eemale paisata.
- ▶ **Kasutage alati kruustange või sobivat seadist, et ümaraid materjale, nagu poste või torusid nõuetekohaselt toetada.** Postid kipuvad lõikamisel eemale rulluma, mistõttu võib saeleht „hammustada“ ja töödeldav detail võidakse koos teie käega saelehe suunas tõmmata.
- ▶ **Laske saelehel saavutada täielik pöörlemissagedus, enne kui töödeldavasse detaili sisse lõikate.** See vähendab ohtu, et töödeldav detail eemale paisatakse.
- ▶ **Kui töödeldav detail jääb kinni või leht blokeerub, lülitage pendelsaag välja. Oodake, kuni kõik liikuvad osad on seisma jäänud, tõmmake võrgupistik välja ja/või eemaldage aku. Eemaldage seejärel kinnijäänud materjal.** Kui saete sellise blokeeringu korral edasi, võib see põhjustada kontrolli kadu või pendelsae kahjustusi.
- ▶ **Laske lüliti pärast lõikamise lõppu lahti, hoidke saepead all ja oodake saelehe seismajäämiseni, enne kui eemaldate mahalõigatud tüki.** On väga ohtlik kätt väljuva saelehe lähedusse sirutada.
- ▶ **Hoidke käepidemest kindlalt kinni, kui teete mittetäieliku lõike või kui vabastate lüliti enne, kui saepea on oma alumise asendi saavutanud.** Sae pidurdustoime kaudu võidakse saepead järsult allapoole tõmmata, mis tekitab vigastusohu.

2.3 Täiendavad ohutusnõuded

- ▶ Kasutage seadet ja lisatarvikuid ainult siis, kui nende tehniline seisukord on veatu.
- ▶ Ärge kunagi muutke ega modifitseerige seadet ega lisatarvikuid.



- ▶ Maha kukkuvatest tööriistadest või tarvikutest tingitud vigastusoht. Enne töö alustamist veenduge, et aku ja paigaldatud tarvik on kindlalt fikseeritud.
- ▶ Lihvimisel, lõikamisel ja puurimisel tekkinud tolm võib sisaldada ohtlikke kemikaale. Mõned näited: plii või pliipõhised värvid; tellis, betoon ja muu müüritis, looduskivi ja muud silikaati sisaldavad tooted; teatud tüüpi puit, näiteks tamm, pöök ja keemiliselt töödeldud puit; asbest või asbesti sisaldavad materjalid. Tehke kindlaks kasutaja ja teiste läheduses viibivate isikutega kokkupuute tase, arvestades töödeldavate materjalide ohuklassi. Võtke vajalikud meetmed, et hoida kokkupuude ohutul tasemel, nt kasutage tolmukogumissüsteemi või kandke sobivat hingamisteede kaitse maski. Kokkupuute vähendamise üldiste meetmete hulka kuuluvad:
 - ▶ töötamine hästi ventileeritud piirkonnast,
 - ▶ tolmuga pikaajalise kokkupuute vältimine,
 - ▶ tolmu eemalejuhtimine näost ja kehast,
 - ▶ kaitserõivaste kandmine ja nähtavate kohtade pesemine vee ja seebiga.
- ▶ Seadme kasutamise ajal kandke kaitseprille, kaitsekiivrit, kuulmiskaitsevahendeid ja sobivat hingamisteede kaitsemaski.
- ▶ Tehke tihti pause ja sirutage sõrmi, et parandada verevarustust. Pikemaajalisel töötamisel võib tugev vibratsioon tekitada häireid sõrmede, käte või randmeliigeste veresoonte ja närvisüsteemi toimimises.
- ▶ Hoidke ventilatsioonivad alati vabad. Kinni kaetud ventilatsioonivadest tingitud põletusoh!
- ▶ Ärge laske käepidet lahti, kui olete saepea allapoole viinud. Viige saepea alati kontrollitud viisil ülemisse asendisse tagasi. Kui saepea liigub kontrollimatul viisil, võib see tekitada vigastusohu.
- ▶ Ärge kasutage nürisid, mõranenud, deformeerunud või kahjustunud saelehki. Nüride või valesti rihitud hammastega saekettad tekitavad liiga kitsa lõikejälje, mis põhjustab suuremat hõõrdumist, saeketta kinnikiilumist ja tagasilööki.
- ▶ Ärge eemaldage kunagi lõikamisjääke, puidulaaste jm lõiketsoonist, kui saag töötab. Lülitage alati kõigepealt saag välja ja viige saepea tagasi ülemisse asendisse.
- ▶ Kasutage vaid toote jaoks lubatud saelehki, mis vastavad andmete tehnilistes andmetes ja/või tootel (nt läbimõõt, pöörlemissagedus, paksus, kinnitusava, materjal jne...) ning mis on vastavalt standardile EN 847-1 kontrollitud ja tähistatud.
- ▶ Kasutage üksnes selliseid saekettaid, mille pöörete arv on vähemalt sama suur nagu tootel märgitud maksimaalpöörded.
- ▶ Ärge võtke saelehest pärast töötamist kinni enne, kui see on maha jahtunud. Saeleht läheb töö käigus väga kuumaks.
- ▶ Saeketta vahetamisel kandke kaitsekindaid.
- ▶ Kontrollige enne kasutamist alati, kas alumine kettakaitse sulgub korralikult. Liigutage saepea allapoole ja viige see kontrollitud viisil tagasi ülemisse asendisse. Ärge kasutage saagi siis, kui kaitsekate ei saa vabalt liikuda ja see ei sulgu kohe, kui saepea üles tõstetakse. Ärge kunagi fikseerige ega siduge alumist kettakaitset kinni avatud asendis!
- ▶ Ärge kasutage seadet kunagi ilma kettakaitseta.
- ▶ Laske tööriistal alumiiniumprofiilide lõikamisel alati väiksel kiirusel töötada.
- ▶ Kasutage ja kinnitage alati tootega kaasasolevaid täiendavaid tugiindasid.
- ▶ Võtke tootest selle transportimiseks kinni ainult selleks ettenähtud kohtadest (käesüvendid ja transportikäepide). Ärge kandke elektritööriista kunagi liughoovast ega käepidemest. → Lehekülj 134
- ▶ Vältige saehammaste ostu ülekuumenemist. Plasti saagimisel tuleb vältida plasti sulamist.

2.4 Akude hooldikas käsitsemine ja kasutamine

- ▶ **Järgige liitiumioonakude ohutu käsitsemise ja kasutamise kohta esitatud juhiseid.** Eiramine võib tekitada nahaärrituse, söövitus, keemilise põletuse, tulekahju ja/või põhjustada plahvatusi.
- ▶ Kasutage akusid ainult siis, kui nende tehniline seisukord on veatu.
- ▶ Käsitlege akusid ettevaatlikult, et vältida kahjustusi ja tervist kahjustavate vedelike lekkimist!
- ▶ Akusid ei tohi mingil juhul muuta ega ümber ehitada!
- ▶ Akusid ei tohi lahti võtta, muljuda, kuumutada üle 80 °C (176 °F) ega ära põletada.
- ▶ Ärge kasutage ega laadige akusid, mis on saanud löögi või muul viisil kahjustada. Kontrollige regulaarselt akusid kahjustuste suhtes.
- ▶ Ärge kasutage kunagi ringlusse võetud või remonditud akusid.
- ▶ Ärge kunagi kasutage akut või akutoitega elektritööriista lõõgitarvikuna.
- ▶ Ärge jätke akut kunagi otsese päikesekiirguse, kuumuse, sädemete või lahtise leegi kätte. See võib põhjustada plahvatusi.
- ▶ Ärge puudutage aku pooluseid sõrmede, tööriistade, ehete või muude metallesemetega. See võib akut kahjustada, samuti tekitada varalist kahju ja kehavigastusi.



- ▶ Hoidke akusid eemal vihmast, niiskusest ja vedelikest. Sissetungiv niiskus võib põhjustada lühist, elektrilööki, põletust, tulekahju ja plahvatust.
- ▶ Kasutage üksnes aku tüübile vastavaid laadijaid ja elektritööriistu. Juhinduge asjaomastes kasutusjuhendites esitatud andmetest.
- ▶ Ärge kasutage ega hoiustage akut plahvatusohtlikus keskkonnas.
- ▶ Kui aku on nii kuum, et seda ei saa puudutada, võib aku olla defektne. Asetage aku nähtavasse tulekindlasse kohta, mis on süttivatest materjalidest piisavaltkaugel. Laske akul jahtuda. Kui aku on ühe tunni pärast ikka veel liiga kuum, et seda puudutada saaks, siis on aku defektne. Pöörduge **Hilti** hooldekeskusesse või lugege läbi dokument "Juhised **Hilti** liitiumioonakude ohutu käsitsemise ja kasutamise kohta".



Järgige liitiumioonakude transpordi, ladustamise ja käsitsemise kohta esitatud erijuhiseid.

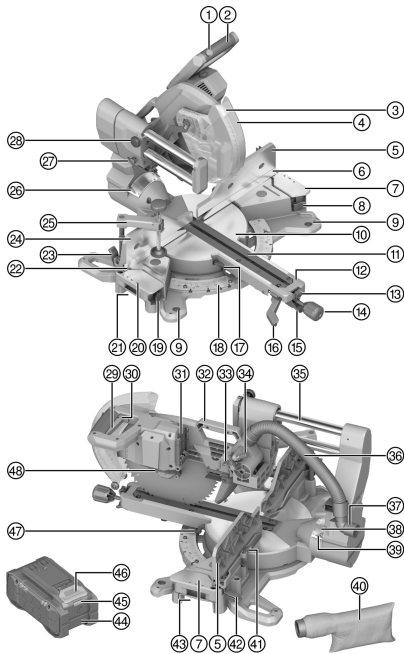
Lugege läbi **Hilti** liitiumioonakude ohutu käsitsemise ja kasutamise juhised, mis avanevad käesoleva kasutusjuhendi lõpus oleva QR-koodi skannimisel.





3 Kirjeldus

3.1 Toote ülevaade 1



- ① Sisselülitustõkis
- ② Käepide
- ③ LED-lõikenäit
- ④ Kettakaitse
- ⑤ Ülemine parempoolne eerungipiirik
- ⑥ Alumine parempoolne eerungipiirik
- ⑦ Parempoolne täiendav tugipind
- ⑧ Parempoolse täiendava tugipinna vabastushoob
- ⑨ Kinnitusava
- ⑩ Pöördalus
- ⑪ Avadega plaadid
- ⑫ Pöördaluse hoob
- ⑬ Pöördaluse vabastushoova lukustusasend
- ⑭ Pöördaluse lukustusnupp
- ⑮ Pöördaluse vabastushoob
- ⑯ Vertikaalse eerunginurga vabastushoob
- ⑰ Horisontaalse vasakpoolse eerunginurga osuti
- ⑱ Horisontaalse eerunginurga skaala
- ⑲ Vasakpoolse täiendava tugipinna vabastushoob
- ⑳ Vasakpoolne täiendav tugipind
- ㉑ Vasakpoolne käesüvend
- ㉒ Alumine vasakpoolne eerungipiirik
- ㉓ Ülemise vasakpoolse eerungipiiriku vabastushoob
- ㉔ Ülemine vasakpoolne eerungipiirik
- ㉕ Kruustangid
- ㉖ Vertikaalse vasakpoolse eerunginurga osuti
- ㉗ Transpordikaitse
- ㉘ Väljatõmbe kinnituskruvi
- ㉙ Toitelüliti
- ㉚ Tabaluku ava
- ㉛ aku liides
- ㉜ Transpordikäepide
- ㉝ Sügavuspiiriku tõkisplaat
- ㉞ Sügavuspiirik
- ㉟ Väljatõmme / liugpost
- ⓪ Tolmu väljatõmbe ühendusvoolik
- ⓫ Tolmueemaldusliitmik
- ⓬ Vertikaalse eerunginurga skaala
- ⓭ Vertikaalse parempoolse eerunginurga osuti
- ⓮ Tolmukott
- ⓯ Sisekuuskantvõti
- ⓰ Ülemise parempoolse eerungipiiriku vabastushoob
- ⓱ Parempoolne käesüvend
- ⓲ aku
- ⓳ Aku olekunäidik
- ⓴ Aku lukust avamise nupp
- ⓵ Horisontaalse parempoolse eerunginurga osuti
- ⓶ Spindlielukustus



3.2 Sihipärane kasutamine

Kirjeldatav toode on akuga töötav pendelsaag. See on ette nähtud puidu, puittoodete, plasti ja alumiinium-profiilide saagimiseks. Tootega saab teha ristlõikeid, kaldlõikeid ja eerungilõikeid.

Toode on varustatud ühendusotsikuga laastude väljatõmbeks, mis on kujundatud tavaliste imivoolikutega jaoks. Tolmueemaldaja vooliku saaga ühendamiseks võib olla vajalik sobiv adapter.

- Kasutage saagi ainult kaasasoleva laastukoti või sobiva tolmueemaldiga.
- Kasutage üksnes toote jaoks ettenähtud saekettaid, mis vastavad tehnilistes andmetes toodud andmetele (nt läbimõõt, pöörete arv, paksus, materjal jm). Keelatud on kasutada lihv- või lõikekettaid, samuti kõrglegeeritud kiirlõikekerasest (HSS-teras) saekettaid.
- Ärge lõigake tootega kunagi magneesiumi.
- Kasutage toote jaoks ainult **Hilti** Nuron B 22 seeria liitiumioonakusid. Optimaalse võimsuse tagamiseks soovib **Hilti** kasutada toodet tabelis loetletud akudega.
- Kasutage akude laadimiseks ainult siinses tabelis toodud **Hilti** laadijaid.

3.3 Tarnekomplekt

Pendelsaag, saeleht, pingutusäärik, vastuvõtuäärik, pingutuskruvi, sisekuuskantvõti, kruustangid, pöördaluse lukustusnupp, kasutusjuhend

Muud süsteemitoodet leiata müügiesindusest **Hilti Store** või veebisaidilt: www.hilti.group

3.4 Liitiumioonaku kuvamine

Hilti Nuron liitiumioonakud saavad näidata laetuse astet, anda veateateid ja näidata aku olekut.

3.4.1 Laetuse astme ja veateadete kuvamine

HOIATUS

Vigastuste oht allakukkuva aku tõttu!

- ▶ Kui aku on paigaldatud, tehke vabastuslukkule vajutamise kindlaks, et aku on kasutatavas tootes õigesti sisse pandud.

Selleks et kuvada ühte järgmistest näitudest, vajutage korra aku vabastusnupule.

Laetuse astet ning võimalikke tõrkeid kuvatakse pidevalt seni, kuni ühendatud seade on sisse lülitatud.

Seisund	Tähendus
Neli (4) LED-tuld põlevad pideva rohelise tulega	Laetuse aste: 100 % kuni 71 %
Kolm (3) LED-tuld põlevad pideva rohelise tulega	Laetuse aste: 70 % kuni 51 %
Kaks (2) LED-tuld põlevad pideva rohelise tulega	Laetuse aste: 50 % kuni 26 %
Üks (1) LED-tuli põleb pideva rohelise tulega	Laetuse aste: 25 % kuni 10 %
Üks (1) LED-tuli vilgub aeglaselt rohelise tulega	Laetuse aste: < 10 %
Üks (1) LED-tuli vilgub aeglaselt rohelise tulega	Liitiumioonaku on täielikult tühjenenud. Laadige akut. Kui LED-tuled pärast laadimist ikka veel kiiresti vilguvad, pöörduge Hilti hooldekeskuse.
Üks (1) LED-tuli vilgub kiiresti kollase tulega	Liitiumioonaku ja sellega ühendatud seade on üle koormatud, liiga külmad või liiga kuumad või on tegemist muu veaga. Viige seade ja aku soovitatud töötemperatuurile ja ärge avaldage tootele ülekoormust. Kui teade ei kao, pöörduge Hilti hooldekeskuse.
Üks (1) LED-tuli põleb kollase tulega	Liitiumioonaku ja sellega seotud toode ei ühildu. Palun pöörduge Hilti hooldekeskuse.
Üks (1) LED-tuli vilgub kiiresti punase tulega	Liitiumioonaku on lukustatud ja seda ei saa kasutada. Palun pöörduge Hilti hooldekeskuse.

3.4.2 Akude oleku kuvamine

Aku seisundi teadasaamiseks hoidke vabastusklahvi all kauem kui kolm sekundit. Süsteem ei tuvasta võimalikku aku tõrget, mis on tingitud valest käsitlemisest, nt kukkumisest, torgetest, suurest kuumusest vms.



Seisund	Tähendus
Kõik LED-tuled süttivad pideva tulena ja seejärel põleb (1) LED-tuli pidevalt rohelise tulega.	Akut võib jätkuvalt kasutada.
Kõik LED-tuled süttivad pideva tulena (1) ja LED-tuli vilgub kiiresti kollase tulega.	Aku oleku kohta esitatud päringut ei saanud lõpetada. Korra ke protsessi või pöörduge Hilti hooldakeskusse.
Kõik LED-tuled süttivad pideva tulena ja seejärel põleb (1) ja LED-tuli pideva punase tulega.	Kui ühendatud seadet saab jätkuvalt kasutada, on aku allesjäänud mahtuvus alla 50%. Kui ühendatud seadet ei saa enam kasutada, on aku kasutusressurs ammendunud ja aku tuleb välja vahetada. Palun pöörduge Hilti hooldakeskusse.

4 Tehnilised andmed

4.1 Toote omadused

Nimipinge	21,6 V	
Nimipöörded tühikäigul	4 300 p/min	
Saeketta läbimõõt	305 mm	
Ketta paksus	0,5 mm ... 1,5 mm	
Saeketta siseava läbimõõt	30 mm	
Lõikelaius	3,2 mm	
Maksimaalne horisontaalne eeringinurk	Paremal	≤ 60°
	Vasakul	≤ 52°
Maksimaalne vertikaalne eeringinurk	Paremal	≤ 48°
	Vasakul	≤ 48°
Maksimaalne löikevõimsus sõltumatu muudest mõõdetest või eeringinurkadest	Kõrgus	≤ 100 mm
	Laius	≤ 360 mm
Kaal	25,6 kg (vastavalt EPTA-Procedure 01 ilma akuta)	
Ümbritseva keskkonna temperatuur töötamise ajal	-17 °C ... 60 °C	
Hoiutemperatuur	-20 °C ... 70 °C	

4.2 Aku

Aku tööpinge	21,6 V
Aku kaal	Vt kasutusjuhendi lõpp
Ümbritseva keskkonna temperatuur töötamise ajal	-17 °C ... 60 °C
Hoiutemperatuur	-20 °C ... 40 °C
Aku temperatuur laadimise alguses	-10 °C ... 45 °C

4.3 Andmed müra ja vibratsiooni kohta vastavalt standardile EN 62841

Käesolevas juhendis märgitud helirõhu- ja vibratsioonitase on mõõdetud standarditud mõõtemeetodil ja seda saab kasutada elektriliste tööriistade omavaheliseks võrdlemiseks. See sobib ka vibratsiooni- ja mürataseme esialgseks hindamiseks.

Toodud näitajad iseloomustavad elektrilise tööriista põhilisi ettenähtud töid. Kui aga elektrilist tööriista kasutatakse muul otstarbel, teiste tarvikutega või kui tööriista on ebapiisavalt hooldatud, võivad näitajad käesolevas juhendis toodud näitajatest kõrvale kalduda. See võib vibratsiooni- ja mürataset töötamise koguperioodil tunduvalt suurendada.

Ekspositsiooni täpseks hindamiseks tuleb arvesse võtta ka aega, mil seade oli välja lülitatud või küll sisse lülitatud, kuid tegelikult tööle rakendamata. See võib vibratsiooni- ja mürataset töö koguperioodi lõikes tunduvalt vähendada.



Kasutaja kaitseks müra ja/või vibratsiooni eest võtke tarvitusele täiendavaid kaitsemeetmeid, näiteks: hooldage elektrilist tööriista ja tarvikuid korralikult, hoidke käed soojad, tagage sujuv töökorraldus.

Mürateave

Helivõimsustase (L_{WA})	101 dB(A)
Helirõhutase (L_{pA})	90 dB(A)
Mõõtemääramatus (L_{WA} ja L_{pA} puhul)	3 dB(A)

Vibratsioonitase

Vibratsioonitase	B 22-55	$\leq 2,5 \text{ m/s}^2$
	B 22-255	$\leq 2,5 \text{ m/s}^2$
Mõõtemääramatus		$1,5 \text{ m/s}^2$

4.4 Maksimaalne löikevõimsus

Esitatud kõrguse ja laiuse väärtused on üksteisest sõltuvad. Maksimaalse võimaliku kõrguse ja laiuse väärtused leiata peatükist Toote omadused. → Lehekülg 123

Horisontaalne eeringinurk	Vertikaalne eeringinurk	Kõrgus x laius
0°	0°	100 mm x 355 mm
	22,5° parem	72 mm x 355 mm
	22,5° vasak	90 mm x 355 mm
	30° parem	60 mm x 355 mm
	30° vasak	78 mm x 355 mm
	45° parem	40 mm x 355 mm
	45° vasak	65 mm x 340 mm
	48° parem	30 mm x 355 mm
	48° vasak	50 mm x 355 mm
45° parem 45° vasak	0°	100 mm x 250 mm
	45° parem	40 mm x 250 mm
	45° vasak	62 mm x 250 mm
52° vasak	0°	100 mm x 200 mm
	45° parem	40 mm x 220 mm
	45° vasak	62 mm x 220 mm
60° parem	0°	100 mm x 176 mm
	45° parem	40 mm x 178 mm
	45° vasak	30 mm x 190 mm

5 Töö ettevalmistamine

HOIATUS

Vigastuste oht soovimatu käivitumise tõttu!

- ▶ Enne aku paigaldamist veenduge, et selle juurde kuuluv seade on välja lülitatud.
- ▶ Enne seadme seadistamist ja tarvikute vahetamist eemaldage seadme aku.

Järgige kasutusjuhendis esitatud ja tootele märgitud ohutusnõudeid ja hoiatusi.

5.1 Lukustusnupu paigaldamine

Pöördaluse lukustusnupp ei ole tarneolekus monteeritud. See tuleb enne sae kasutamist paigaldada.

- ▶ Kruvige lukustusnupp pöördaluse varde.

5.2 Aku laadimine

1. Enne laadimist lugege laadimiseadme kasutusjuhendit.
2. Veenduge, et aku ja laadimiseadme kontaktid on puhtad ja kuivad.



3. Laadige akut selleks ettenähtud laadimisseadmega. → Lehekülj 122

5.3 Aku paigaldamine

HOIATUS

Vigastuste oht lühise või allakukkunud aku tõttu!

- ▶ Enne aku paigaldamist veenduge, et aku ja seadme kontaktidel ei ole võõrkehaseid.
- ▶ Veenduge, et aku fikseerub alati korrektselt kohale.

1. Enne esmakordset kasutamist laadige aku täiesti täis.
2. Lükake aku seadmesse, kuni see kuuldavalt kohale fikseerub.
3. Kontrollige aku kindlat kinnitumist.

5.4 Aku eemaldamine

1. Vajutage aku vabastusnupule.
2. Tõmmake aku seadmest välja.

5.5 Toote monteerimine

Toode tuleb kinnitada tasasele ja stabiilsele pinnale.

1. Asetage toode tasasele ja stabiilsele pinnale.
2. Kruvige toode läbi kinnitusavade tööpinna. Kasutage selleks sobivaid kruvisid.
3. Alternatiivina kinnitage seadme jalad tavaliste kruustangide abil tööpinna külge.



Hilti pakub lisavarustusena alusraami, millele saab toote mobiilseks kasutuseks monteerida.

5.6 Tööasendisse viimine

1. Suruge saepead kergelt allapoole ja tõmmake transpordikaitse välja.
2. Viige saepea kontrollitud viisil ülespoole.

5.7 Tolmuimemisseadis

5.7.1 Tolmukoti monteerimine

Tolmukott võimaldab puhast tööd ja kogub suure protsendi tekkivast tolmust.

- ▶ Kinnitage tolmu kott imiotsikutele.

5.7.2 Tolmueemaldi ühendamine

Tolmueemaldi peab töödeldava materjali jaoks sobima. Kasutage tervist kahjustavate, vähki tekitavate või kuivade tolmude äraimamiseks sobivat spetsiaallimurit.

- ▶ Kinnitage imivoolik väljatõmbeotsikutele.

5.8 Saeketta paigaldamine

Veenduge, et kinnitatav saeketas vastab tehnilistele nõuetele ja on hästi teritatud. Terav saeketas on laitmatu lõike eeldus.

1. Puhastage alus- ja kinnitusflants.
2. Asetage alusflants korrektselt spindlile **(1)**.
3. Avage pendelkettakaitse **(2)**.
4. Paigaldage uus saeketas.



Pöörake tähelepanu saeketjal ja tootel olevale pöörlemispuunanoolele **(3)**. Need peavad kattuma.

5. Asetage õiges asendis kohale välimine kinnitusflants **(4)**.
6. Keerake kinnituskrugi sisse.
7. Asetage sisekuuskantvõti saeketta pingutuskruvile.
8. Vajutage spindlilukustusnupule ja hoidke seda allavajutatuna **(5)**.
9. Keerake kinnituskrugi sisekuuskantvõtmega kinni **(6)**.



10. Kontrollige saeketta korrektset kinnitumist.
11. Kontrollige saeülehe vaba liikumist. Saeleht ei tohi ühegi seadistuse puhul (horisontaalne ja/või vertikaalne eeringinurk) sae muude komponentidega kokku puutuda.
12. Pange sisekuuskantvõti selle jaoks ette nähtud hoidikusse.

5.9 Saeketta mahavõtmine 4

HOIATUS

Põletus- ja löikevigastuste oht kokkupuutumisel saeketta, kinnituskrui ja kinnitusflantsiga Tagajärjekords võivad olla põletused ja löikehaavad.

- ▶ Tarviku vahetamisel kandke kaitsekindaid.

1. Vajutage spindililukustusnupule ja hoidke seda allavajutatuna (1).
2. Keerake sisekuuskantvõtmega lahti kinnituskrui (2).
3. Eemaldage kinnituskrui ja kinnitusflants (3).
4. Avage pendelkettakaitse (4) ja võtke saeketas maha (5).



Vajaduse korral võib alusflantsi puhastamiseks eemaldada.

6 Käsitsemine

Järgige kasutusjuhendis esitatud ja tootele märgitud ohutusnõudeid ja hoiatusi.

6.1 Väljatõmbe fikseerimine / eraldamine 5

Väljatõmbe saab vabalt valitud kohta lukustada.

1. Väljatõmbe lukustamiseks keerake lukustuskrui (1) päripäeva.
 - ▶ Lukustuskrui kinnitab liugposti, liugliikumist takistatakse.
2. Väljatõmbe vabastamiseks keerake lukustuskrui (1) vastupäeva.

6.2 Lõikesügavuse reguleerimine sügavuspiirikul 6

Kasutage sügavuspiirikut, kui soovite näiteks soont saagida.

1. Pöörake sügavuspiiriku tõkisplaati (1) nii, et sügavuspiirik ei lähe saeühe langetamisel läbi ava.
2. Seadistage soovitud lõikesügavus pöidlakruvi (2) abil.
3. Kui te ei soovi lõikesügavust enam piirata, pöörake tõkisplaati (1) nii, et sügavuspiirik läheb saeühe langetamisel läbi ava.

6.3 Saepingi pikendamine 7

HOIATUS

Pikkadest töödeldavatest detailidest tulenev vigastusohu. Pikad töödeldavad detailid võivad löikamise käigus kontrollimatult maha kukkuda, kaitsekatte üles tõsta, saeülehe kinni kiiluda ja tagasilööki põhjustada.

- ▶ Toestage pikki töödeldavaid detaile täiendavate saepukkide või sarnaste alustega.

Saelaui tugipinda saab täiendavate tugipindade abil paremal ja/või vasakul küljel suurendada.

1. Avage täiendava tugipinna vabastushoob (1).
2. Tõmmake täiendav tugipind välja (2).
3. Lukustage täiendava tugipinna lukustushoob (1).
4. Vajadusel korra samm vastasküljel asuva täiendava tugipinna puhul.

6.4 Ülemiste eeringipiirkute seadistamine 8, 9

Olenevalt horisontaalse ja/või vertikaalse eeringinurga seadistusest tuleb ülemised eeringipiirkud väljapoole tõmmata või täielikult eemaldada.

1. Avage ülemise vasak- või parempoolse eeringipiiriku vabastushoob (1).
2. Tõmmake ülemine eeringipiirik (2) nii palju kui vaja väljapoole või eemaldage eeringipiirik.



3. Sulgege vabastushoob (1).
 - ▶ Monteerige ülemised eerungipiirkud uuesti kõige sisemisse asendisse, kui teete sirgeid lõikeid.
4. Kui ülemine eerungipiirik eemaldati, saab selle turvaliseks hoiustamiseks saagimise ajal kinnitada ka täiendava tugipinna liugposti külge.

6.5 Horisontaalse eerunginurga seadistamine 10

HOIATUS

Mittelukustuvast pöördalusest tingitud vigastusoht. Lukustamata pöördalus võib lõikamise käigus pöörduda, töödeldavat detaili kallutada ja seega tagasilööki põhjustada.

- ▶ Pingutage enne lõikamist alati pöördaluse lukustusnuppu.

Tingimused: Standardne eerunginurk

Tihti kasutatavate horisontaalsete eerunginurkade kiireks ja täpseks seadistamiseks on horisontaalse eerunginurga skaalal sälgud. Pöördlause saab nende sälkude külge lukustada.

Horisontaalsete eerunginurkade lukustusasendid

Vasakul	Keskel	Paremal
45°; 31,6°; 22,5°; 15°	0°	15°; 22,5°; 31,6°; 45°; 60°

- ▶ Vabastage vajadusel pöördaluse lukustusnupp (2).
- ▶ Tõmmake ja hoidke pöördaluse vabastushooba üleval (1) ning keerake pöördalus vahetult soovitud horisontaalse eerunginurgani (3).
- ▶ Laske pöördaluse vabastushoob lahti ja keerake pöördalus uuesti soovitud horisontaalsele eerunginurgale, kuni lukustus fikseerub.
- ▶ Pingutage pöördaluse lukustusnuppu (2).

Tingimused: Vabalt valitud horisontaalne eerunginurk

Välja arvatud standardne eerunginurk saab horisontaalset eerunginurka vastavalt soovile vabalt seadistada.

- ▶ Vabastage vajadusel pöördaluse lukustusnupp (2).
- ▶ Tõmmake pöördaluse vabastushooba (1) ülespoole ja lukustage see (4).
- ▶ Asetage pöördalus soovitud horisontaalsele eerunginurgale (3).
- ▶ Pingutage pöördaluse lukustusnuppu (2).

6.6 Vertikaalse eerunginurga seadistamine 11

HOIATUS

Lukustamata kaldest tingitud vigastusoht. Kui vertikaalse eerunginurga seadistus ei ole lukustatud, võib saepea lõikamise ajal ümber kaldu minna ja tagasilööki põhjustada.

- ▶ Vajutage vertikaalse eerunginurga vabastushoob pärast toimunud seadistust alati täielikult alla, et kalle lukustada.

ETTEVAATUST

Ülemistest eerungipiirkutest tingitud vigastusoht. Seadistatud vertikaalse eerunginurga korral võib saeleht ülemiste eerungipiirkutega kokku põrgata ning kahjustusi ja tagasilööki põhjustada.

- ▶ Kontrollige vertikaalse eerunginurga igal seadistamisel saelehe vabalt liikumist ja seadke ülemised eerungipiirkud nii palju kui vaja välja.

Tihti kasutatavate vertikaalsete eerunginurkade kiireks ja täpseks seadistamiseks saab saepead mitmesse asendisse lukustada.

Vertikaalsete eerunginurkade lukustusasendid

Vasakul	Keskel	Paremal
45°; 33,9°; 22,5°	0°	22,5°; 33,9°; 45°

- ▶ Tõmmake vertikaalse eerungiseadistuse vabastushooba ülespoole, et see vabastada (2).



- ▶ Tõmmake vertikaalse eeringiseadistuse vabastushoob täielikult üles, et saepead saaks vabalt liigutada (3).
- ▶ Laske vabastushoob lahti ja kallutage saepead nii kaua, kuni lukustus fikseerub.
 - ▶ Saepea saab lukustada igasse eespool nimetatud asendisse.
- ▶ Lükake vabastushoob seejärel täielikult alla (1), et saepea seadistatud asendisse lukustada.
- ▶ Kui soovite seadistada vabalt valitud vertikaalset eeringinurka, hoidke vertikaalse eeringiseadistuse vabastushooba kõige ülemises asendis (3), kuni olete saavutanud soovitud vertikaalse eeringinurga.
- ▶ Suruge vabastushoob seejärel täielikult alla (1), et lukustada saepea seadistatud asendisse.
- ▶ Seadistage ülemised eeringipiirid nii, et need ei pörka saelehega kokku. → Lehekülg 126

6.7 Lõikejoone näidiku aktiveerimine

Saag on varustatud lõikejoone näidikuga. Saepeas olev LED valgustab töösooni ja tekitab läbi saelehe varju, millega näidatakse täpselt lõikejoont.

1. Aktiveerige sisse-/väljalüüti ilma sisselülituslukku vajutamata.
 - ▶ LED aktiveeritakse.
2. Viige saepea allapoole.
 - ▶ Saelehe vari ilmub töödeldavale detailile ja näitab lõikejoont.
3. Kohandage vajadusel töödeldavat detaili või horisontaalse ja/või vertikaalse eeringinurga seadistust lõikejoonega.

6.8 Töödeldava detaili positsioneerimine ja kinnitamine 12, 13, 14

HOIATUS

Väändunud puidust tingitud vigastusohu. Väändunud ja/või paindunud töödeldav detail võib saelehel kõrvale kalduda ja tagasilööki põhjustada.

- ▶ Paigutage väändunud või paindunud detailid alati nii, et väljapoole kaardus külg on eeringipiiriku vastas. Ärge asetage töödeldavat detaili kunagi nii, et detaili ja eeringipiirikute vahel on õhuvähe.

HOIATUS

Töödeldava detaili mitteduuetekohasest positsioneerimisest tulenev vigastusohu. Mitteduuetekohaselt paigutatud detail võib saelehel kõrvale kalduda ja tagasilööki põhjustada.

- ▶ Paigutage töödeldav detail alati nii, et see on võimalikult suure tugipinnaga pöördalusel, tugelel ja eeringipiirikutel.

HOIATUS

Kinnitamata töödeldavast detailist tulenev vigastusohu! Kui töödeldavat detaili ei kinnitata laitmatult eeringipiiriku vastu, võib detail löikamise ajal paigast nihkuda ja põhjustada saelehe kahjustumist, mis võib omakorda põhjustada detaili eemalepaiskumist ja kontrolli kadu.

- ▶ Töödeldav detail tuleb kõigi toimingute puhul kinnitada kruustangide abil tugevalt pöördaluse ja eeringipiiriku vastu.

HOIATUS

Sae komponendid ja kruustangide kokkupuutest tingitud vigastusohu! Saeleht võib kokkupuutel kruustangidega kahjustada saada. Kaitseseadised võivad olla kruustangide poolt tõkestatud ja piiratud talitlusega. Saepea liikumine võib olla kruustangide poolt piiratud, mis võib põhjustada tagasilööki.

- ▶ Tehke väljalülitatud saega ootuspärase liigutuse katse. Veenduge, et sae komponendid ei saa kruustangidega kokku puutuda.
- ▶ Paigutage kruustangid vajadusel sae peal teise kohta ümber.

- ▶ Vajutage kruustangide vabastusnuppu (2) ja tõmmake keermega varras kuni piirikuni üles.
- ▶ Pistke kruustangid ühte ettenähtud avasse (1).
- ▶ Suruge töödeldav toorik tugevalt vastu alumist eeringipiirikut.
- ▶ Vajutage kruustangide vabastusnuppu, et keermega varrast kiiresti töödeldava detailiga kohendada (2).
- ▶ Kallutage keermega varrast tahapoole, keermega varda (3) asukoha vastu. Keerake keermega varras seejärel päripäeva keeramisega tugevalt kinni ja fikseerige seeläbi töödeldav detail (4).
 - ▶ Töödeldava detaili vabastamiseks keerake keermega varrast vastupäeva. Vajutage seejärel kruustangide vabastusnuppu ja tõmmake keermega varras kuni piirikuni üles.



6.9 Pöörete arvu seadistamine

- ▶ Seadistage soovitud pöörlemissagedus pöörlemissageduse seadistusratta abil.

6.10 Sisselülitamine / väljalülitamine

HOIATUS

Vigastuste oht tagasilöögi tõttu.

- ▶ Lülitage saag sisse ainult siis, kui saeleht töödeldavat detaili ei puuduta.

HOIATUS

Vigastuste oht tagasilöögi tõttu.

- ▶ Laske saepeal pärast väljalülitamist kõige alumises asendis seista, kuni saeleht on seisma jäänud.

1. Vajutage ja hoidke sisselülituslukku.
2. Vajutage ja hoidke sisse-välja-lülitit all.
 - ▶ Saag töötab.
3. Sae väljalülitamiseks vabastage sisse-/väljalüliti.

6.11 Saagimine

HOIATUS

Käte ja käsivarte valest asendist tulenev vigastusohu. Vale paigutuse korral võib töötav saeleht käsivarsi ja käsi tabada ning raskeid vigastusi tekitada.

- ▶ Ärge ristake saagimisel kunagi käsivarsi. Ärge ristake löikejoont kunagi käsivarre või käega.
- ▶ Hoidke käed ja käsivarred väljaspool saelehest vasakul ja paremal olevat tähistatud ohutsoonis.

Korrektne keha ja käte asend muudab eeringisaega töötamisel lõikamise lihtsamaks, täpsemaks ja turvalisemaks.

Seiske mõlema jalaga kindlalt põrandal ja hoidke tasakaalu. Kui liigutate eeringihooba vasakule ja paremale, järgnege sellele ja seiske saelehest veidi külje peal.

Hoidke ohutuskaugus saelehest 230 mm (9 tolli) vasakul ja 270 mm (10,4 tolli) paremal vabana. Hoidke käed, käsivarred ja muud kehaosad sellest ohutsoonist eemal.

Hoidke käsi paigal, kuni sisse-/väljalüliti on vabastatud ja saeleht on täielikult seisma jäänud.



Suruge saepead löike tegemiseks hoolikalt ja kontrollitud viisil allapoole. Kui löikejoonele avaldatakse liigset survet või külgsuunalist jõudu, võib saeleht vibreerima hakata, mis läbi tekitab töödeldavasse detaili täiendavaid saagimisjärgi ja löiketäpsus väheneb.

6.11.1 Ilma tõukeliigutusega saagimine (kappimine)

HOIATUS

Mittelukustuvast väljatõmbest tingitud vigastusohu. Lukustamata väljatõmme võib põhjustada saepea soovimatut libisemist ja tagasilööki.

- ▶ Lukustage kappimise puhul alati väljatõmme.

1. Lükake saepea kuni piirikuni tahapoole (endast eemale).
2. Lukustage väljatõmme. → Lehekülj 126
3. Seadistage sügavuspiiriku tõkisplaat nii, et sügavuspiirik läheb saepea langetamisel läbi ava. → Lehekülj 126
4. Kohandage sae kõiki seadistusi (nurk, eeringupiirkud, tugipinnad) vastavalt tehtava löike vajadustele.
5. Kinnitage töödeldav detail korralikult. → Lehekülj 128
6. Lülitage saag sisse. → Lehekülj 129
7. Viige saepea aeglaselt allapoole ja saagige töödeldav detail ühtlase etteandega läbi.
8. Lülitage saag välja ja oodake, kuni saeleht on seisma jäänud.
9. Viige saepea tagasi ülemisse asendisse.



6.11.2 Lükkeligutusega saagimine



HOIATUS

Saepea valest liikumisest tingitud tagasilöök. Saepea vale liikumine tõukeliigutusega lõikamisel võib põhjustada tagasilööki.

- ▶ Tõmmake saepea enne lõikamist alati kõigepealt tervenisti välja, langetage see seejärel ja lükake see lõpuks eeringupiirike suunas.
- ▶ Ärge tõmmake saepead kunagi enda suunas, kui saeleht on juba töödeldava detaili sees.



Lükake saepead tõukeliigutusega lõikamisel õrnalt ja ilma kinni hoidmata eeringupiiriku suunas. Kui tõukeliigutus katkeb lõikamise ajal, jätab saeleht töödeldavasse detaili märgid ja lõiketäpsus väheneb.

1. Eraldage vajaduse korral väljatõmme. → Lehekülg 126
2. Seadistage sügavuspiiriku tõkisplaat nii, et sügavuspiirik läheb saepea langetamisel läbi ava. → Lehekülg 126
3. Kohandage sae kõiki seadistusi (nurgad, eeringupiirikud, tugipinnad) vastavalt tehtava lõike vajadustele.
4. Kinnitage töödeldav detail korralikult. → Lehekülg 128
5. Tõmmake saepea täielikult enda suunas.
6. Lülitage saag sisse. → Lehekülg 129
7. Viige saepea aeglaselt allapoole.
8. Hoidke saepead kõige alumises asendis ja lükake see aeglaselt tahapoole (endast eemale). Saagige töödeldav detail ühtlase etteandega läbi.
9. Lülitage saag välja ja oodake, kuni saeleht on seisma jäänud.
10. Viige saepea tagasi ülemisse asendisse.

6.11.3 Soone saagimine

1. Seadistage sügavuspiirik soovitud lõikesügavusele. → Lehekülg 126
2. Tehke lükkeligutusega lõige. → Lehekülg 130

6.11.4 Profiillistude saagimine



HOIATUS

Töödeldava detaili mittedoetukohasest kinnitamisest tulenev vigastusoh. Mittedoetukohaselt kinnitatud detail võib saelehe vahele kinni jääda ja tagasilööki põhjustada.

- ▶ Kui asetate profiillistu eeringupiiriku vastu, jälgige eriti hoolsalt profiillistu piisavat kindlustatust nihkumise vastu. → Lehekülg 128

Profiilliste saab saagida kahel eri viisil:

- Asetatud vastu eeringupiirikut
- Lamedalt saepingi vastas
- ▶ Tehke lõige sõltuvalt profiillistude laiusest koos tõukeliigutusega või ilma selleta.
- ▶ Testige seadistatud horisontaalset ja/või vertikaalset eeringunurka kõigepealt puidujäätmete peal.

7 Hooldus ja korrashoid



HOIATUS

Vigastuste oht paigaldatud aku korral !

- ▶ Enne mis tahes hooldus- ja korrashoiutöid eemaldage seadme aku!

Toote hooldus

- Kõvasti kinni olev mustus eemaldage ettevaatlikult.
- Puhastage ventilatsiooniavad ettevaatlikult kuiva, pehme harjaga.
- Puhastage korpust ainult veidi niiske lapiga. Ärge kasutage silikooni sisaldavaid hooldusvahendeid, sest need võivad kahjustada seadme plastdetaile.
- Seadme kontaktide puhtastamiseks kasutage puhast kuiva lappi.
- Puhastage väljatõmbe liugposte ja täiendavaid tugipindasid regulaarselt. Kandke liugpostidele pärast igat puhastust mõni tilk õli.



- Puhastage ülemiste eeringupiirikute tugipindasid regulaarselt. Määrige tugipindasid vajadusel uuesti.

Liitium-ioonakude hooldus

- Ärge kunagi kasutage akut, mille ventilatsioonivad on ummistunud. Puhastage ventilatsioonivastid ettevaatlikult kuiva, pehme harjaga.
- Kaitske akut tolmu ja mustuse eest. Ärge jätke akut kunagi suure niiskuse kätte (ärge asetage seda vette ja ärge jätke vihma kätte).
Kui aku on märjaks saanud, siis käsitlege seda nii, nagu oleks see kahjustatud. Isoleerige aku tulekindlas anumus ja pöörduge **Hilti** hooldekeskusesse.
- Hoidke aku puhas õlist ja rasvast. Vältige akusse asjatult tolmu ja mustuse kogunemist. Puhastage akut kuiva pehme harjaga või puhta kuiva lapiga. Ärge kasutage silikooni sisaldavaid hooldusvahendeid, sest need võivad kahjustada seadme plastdetailaie.
Ärge puudutage aku kontakte ja ärge eemaldage kontaktidelt tehases peale kantud mäaret.
- Puhastage korpust ainult veidi niiske lapiga. Ärge kasutage silikooni sisaldavaid hooldusvahendeid, sest need võivad kahjustada seadme plastdetailaie.

Korrashoid

- Kontrollige regulaarselt, kas kõik nähtavad osad on terved ja juhtelemendid töötavad veatult.
- Ärge kasutage seadet kahjustuste ja/või tõrgete korral. Laske seade kohe parandada **Hilti** hooldekeskuses.
- Pärast hooldus- ja korrashoiutöid paigaldage kõik kaitseseadised ja kontrollige, kas need töötavad veatult.



Ohutu töö tagamiseks kasutage ainult originaalvaruosi ja -materjale. **Hilti** heakskiidetud varuosad, materjalid ja lisatarvikud oma tootele leiate müügiesindusest **Hilti Store** või veebilehelt: www.hilti.group

7.1 Kaitseseadise puhastamine

1. Võtke saeketas maha. → Lehekülg 126
2. Puhastage kaitseseadist ettevaatlikult kuiva harjaga.
3. Eemaldage kaitseseadises olev mustus ja tolm sobiva tööriista abil.
4. Paigaldage saeketas. → Lehekülg 125

7.2 Väljatõmbe adapteri ja ühendusvooliku puhastamine **17**

1. Eemaldage tolmukott või tolmueemaldi ühendatud imivoolik.
2. Keerake lahti saepeal oleva ühendusvooliku kinnituskrui (**1**).
3. Tõmmake ühendusvoolik saepea (**2**) ja väljatõmbe adapteri küljest ära.
4. Tühjendage ühendusvoolik ja puhastage seda kuiva harjaga.
5. Puhastage saepea laasturenni ja väljatõmbe adapterit kuiva harjaga.
6. Kinnitage ühendusvoolik uuesti väljatõmbe adapterile ja saepeale.
7. Keerake ühendusvooliku kinnituskrui saepeal kinni.
8. Monteerige tolmukott või ühendage uuesti tolmueemaldi. → Lehekülg 125

7.3 Tolmukoti tühjendamine **18**

1. Tõmmake tolmukott sissetõmbe adapterilt maha.
2. Avage tolmukoti tõmblukk ja kõrvaldage sisu nõuetekohaselt.
3. Sulgege tolmukoti tõmblukk.
4. Monteerige tolmukott uuesti väljatõmbe adapterile. → Lehekülg 125

7.4 Seadistuste ja piirikute kontrollimine ja reguleerimine

Pendelsaagi seadistati ja reguleeriti tehases hoolikalt. Siiski võib olla vaja sae seadistusi ja näidikuid pärast intensiivset kasutust või jõulist käsitsemist kontrollida ja vajadusel reguleerida.

Sae kontrollimiseks ja reguleerimiseks vajate kogemusi ja spetsiaalset tööriista.

Hilti soovib lasta saagi reguleerida ainult **Hilti** teenindusel.



Ärge puudutage ühegi nurgamõõdikuga tehtava kontrollimis- ega seadistustoimingu käigus saehammaste otsi. Selle tagajärjeks on vale mõõtmine. Nurgamõõdik peab alati vastama põhiandmete loendile.



7.4.1 Vertikaalse eerunginurga kontrollimine

1. Lükake saepead kuni piirikuni tahapoole (endast eemale).
2. Seadistage sügavuspiiriku tõkisplaati nii, et sügavuspiirik läheb saepea langetamisel läbi ava.
→ Lehekülj 126
3. Seadke horisontaalne eerunginurk 0° peale.
4. Suruge saepead allapoole ja lükake transpordikaitse sisse, et saepea lukustada.
5. Seadke vertikaalne eerunginurk 0° peale.
6. Seadke nurgamõõdik 90° peale.
7. Asetage nurgamõõdik vertikaalselt ja ühetasaselt saepingile.
8. Liigutage nurgamõõdikut saelehe suunas.
 - ▶ Nurgamõõdik peab olema kogu joone ulatuses saelehega ühel tasapinnal.
9. Seadke vertikaalne eerunginurk 45° parem.
10. Seadistage nurgamõõdik 45° peale (alternatiivina 135° peale vasakult küljelt mõõtmiseks).
11. Asetage nurgamõõdik vertikaalselt ja ühetasaselt saepingile.
12. Liigutage nurgamõõdikut saelehe suunas.
 - ▶ Nurgamõõdik peab olema kogu joone ulatuses saelehega ühel tasapinnal.
13. Korrake samme vertikaalse eerunginurga 45° vasak puhul.

Tulemus 1 / 2

Nurgamõõdik on kõigi kolme mõõtmise puhul saelehega ühel tasapinnal.

- ▶ Saag on nõuetekohaselt reguleeritud.

Tulemus 2 / 2

Nurgamõõdik ja saeleht ei ole ühe või mitme mõõtmise puhul üksteisega ühel tasapinnal.

- ▶ Pöörduge **Hilti** hooldekeskusse.

7.4.2 Vertikaalse eerunginurga osuti reguleerimine **19**

1. Kontrollige vertikaalse eerunginurga täpsust. → Lehekülj 132
2. Seadke vertikaalne eerunginurk 0° peale.
3. Keerake vertikaalse eerunginurga ühe osuti kinnituskrui lahti ja seadke osuti täpselt näidu 0° peale.
4. Pingutage kinnituskrui uuesti käega. Hoidke seejuures osutit täpselt näidul 0°.
5. Korrake sammu vajadusel vertikaalse eerunginurga teise osuti puhul.
6. Kontrollige tegeliku vertikaalse eerunginurga ja nurkade 45° parem ja 45° vasak mõlema osuti vastavust.
 - ▶ Kui üks osuti ei vasta kontrolli käigus ühes või mitmes kohas tegeliku nurgaga ja seda ei ole võimalik piisavalt reguleerida, pöörduge **Hilti** teeninduse poole.

7.4.3 Horisontaalse eerunginurga kontrollimine

1. Lükake saepea kuni piirikuni tahapoole (endast eemale).
2. Seadistage sügavuspiiriku tõkisplaati nii, et sügavuspiirik läheb saepea langetamisel läbi ava.
→ Lehekülj 126
3. Seadke vertikaalne eerunginurk 0° peale.
4. Suruge saepead allapoole ja lükake transpordikaitse sisse, et saepea lukustada.
5. Seadke horisontaalne eerunginurk 0° peale.
6. Seadistage nurgamõõdik 90° peale.
7. Asetage nurgamõõdik lamedalt vastu saepinki ja eerungipiirikuga ühetasaselt.
8. Liigutage nurgamõõdikut saelehe suunas.
 - ▶ Nurgamõõdik peab olema kogu joone ulatuses saelehega ühel tasapinnal.
9. Seadke horisontaalne eerunginurk 45° parem peale.
10. Seadistage nurgamõõdik 45° peale (alternatiivina 135° peale vasakult küljelt mõõtmiseks).
11. Asetage nurgamõõdik lamedalt vastu saepinki ja eerungipiirikuga ühetasaselt.
12. Liigutage nurgamõõdikut saelehe suunas.
 - ▶ Nurgamõõdik peab olema kogu joone ulatuses saelehega ühel tasapinnal.
13. Korrake samme horisontaalse eerunginurga 45° vasak puhul.

Tulemus 1 / 2

Nurgamõõdik on kõigi kolme mõõtmise puhul kogu joone ulatuses saelehega ühel tasapinnal.

- ▶ Saag on nõuetekohaselt reguleeritud.

Tulemus 2 / 2

Nurgamõõdik ja saeleht ei ole ühe või mitme mõõtmise puhul üksteisega ühel tasapinnal.

- ▶ Reguleerige horisontaalset eerunginurka või pöörduge **Hilti** teeninduse poole. → Lehekülj 133



7.4.4 Horisontaalse eeringinurga ja skaala reguleerimine 20

1. Lukustage pöördalus asendisse 0°.
2. Keerake pöördaluse lukustusnupp lahti.ers.
3. Keerake horisontaalse eeringinurga skaala neli kinnituskruvi lahti.
4. Seadistage nurgamõõdik 90° peale.
5. Asetage nurgamõõdik lamedalt vastu saepinki ja eeringipiirikuga ühetasasel.
6. Liigutage nurgamõõdikut saelehe suunas. Reguleerige pöördalust koos horisontaalse eeringinurga skaalaga nurgamõõdiku põhjal.
 - ▶ Nurgamõõdik peab olema kogu joone ulatuses saelehega ühel tasapinnal.
7. Keerake pöördaluse lukustusnupp kinni, et takistada pöördaluse liikumist.
8. Keerake horisontaalse eeringinurga skaala neli kinnituskruvi kinni.
9. Kontrollige horisontaalset eeringinurka 45° parem ja 45° vasak. → Lehekülj 132

Tulemus 1 / 2

Nurgamõõdik on horisontaalsete eeringinurkade 45° parem ja 45° vasak kogu joone ulatuses saelehega ühel tasapinnal.

- ▶ Saag on nõuetekohaselt reguleeritud.

Tulemus 2 / 2

Nurgamõõdik ja saeleht ei ole ühe või mitme mõõtmise puhul üksteisega ühel tasapinnal.

- ▶ Pöörduge **Hilti** hooldekeskuse.

7.4.5 Horisontaalse eeringinurga osuti reguleerimine 21

1. Kontrollige horisontaalse eeringinurga täpsust. → Lehekülj 132
2. Reguleerige vajadusel horisontaalset eeringinurka. → Lehekülj 133
3. Seadke horisontaalne eeringinurk 0° peale.
4. Keerake horisontaalse eeringinurga ühe osuti kinnituskrivi lahti ja seadke osuti täpselt näidu 0° peale.
5. Pingutage kinnituskrivi uuesti käega. Hoidke seejuures osutit täpselt näidul 0°.
6. Korrake sammu vajadusel horisontaalse eeringinurga teise osuti puhul.
7. Kontrollige tegeliku horisontaalse eeringinurga ja nurkade 45° parem ja 45° vasak mõlema osuti vastavust.
 - ▶ Kui üks osuti ei vasta kontrolli käigus ühes või mitmes kohas tegeliku nurgaga ja seda ei saa piisavalt reguleerida, pöörduge **Hilti** teeninduse poole.

7.5 Tolmupüüdu vahetamine 22

HOIATUS

Valesti monteeritud õhusuunajatest tingitud vigastusoht. Kui õhusuunaja monteeritakse valetpidi, võib saeleht kinni jääda. Õhusuunaja või saeleht võivad puruneda ja selle osad võidakse välja paisata.

- ▶ Jälgige õhusuunaja monteerimisel, et see paigaldataks õigetpidi. Õhusuunaja vedruga osa peab olema suunatud saelehest eemale.

1. Keerake kõik kinnituskruid (1) ühel küljel lahti ja eemaldage õhusuunaja (3).
2. Keerake kinnituskruid vastasküljel lahti ning eemaldage teine õhusuunaja ja tolmpüüdur (2).
3. Paigaldage uus tolmpüüdur (2) ja üks õhusuunaja (3).
 - ▶ Jälgige õhusuunaja õiget paigutust.
4. Kinnitage mõlemad komponendid kinnituskrudega külge.
5. Keerake teine õhusuunaja ja tolmpüüdur vastasküljel kinni.
 - ▶ Jälgige õhusuunaja õiget paigutust.
 - ▶ Kontrollige tolmpüüdu ja mõlema õhusuunaja tugevat kinnitust.

7.6 Avadega plaatide vahetamine 23

Avadega plaadid on tehases niimoodi seadistatud, et need ei puutu saelehega kokku. Siiski kuluvad avadega plaadid teatud määral. **Hilti** pakub avadega plaate varuosana. Kasutaja saab neid kiiresti ja lihtsasti vahetada.

1. Keerake avadega plaatide kinnituskruid lahti ja kõrvaldage kulunud avadega plaadid.
2. Paigaldage uued avadega plaadid.
3. Keerake kinnituskruid lõdvalt kinni, nii et avadega plaate saab veel liigutada.



4. Seadistage avadega plaatide asend selliselt, et need ei puutu saelehega kokku.
 - ▶ Kontrollige eelkõige maksimaalset vertikaalset eeringinurka paremal ja vasakul.
 - ▶ Kontrollige ka kõiki ülejäänud horisontaalseid ja vertikaalseid eeringinurki.
5. Pingutage kõiki kinnituskruve pärast seadistamist käega.

8 Akutööriistade ja akude transport ja ladustamine **24, 25**

Pendelsae transport

Tehke enne sae transportimist järgmised toimingud:

- ▶ Lükake saepea kuni piirikuni tahapoole (endast eemale).
- ▶ Lukustage väljatõmme. → Lehekülg 126
- ▶ Seadistage sügavuspiiriku tõkisplaati nii, et sügavuspiirik läheb saepea langetamisel läbi ava. → Lehekülg 126
- ▶ Seadke vertikaalne eeringinurk 0° peale.
- ▶ Suruge saepea allapoole ja lükake transpordikaitse saepea lukustamiseks sisse.
- ▶ Lükake täiendavad tugipinnad vajadusel täielikult sisse. → Lehekülg 126
- ▶ Seadke horisontaalne eeringinurk kuni piirikuni paremale (60°) ja lukustage pöördalus.
- ▶ Eemaldage kõik tarvikud (nt kruustangid), mida ei saa kindlalt sae külge monteerida.
- ▶ Demonteerige vajadusel lukustusnupp ja kinnitage see ühte hoidikusse ülemise eeringipiiriku tagaküljel.

Kandke saagi ainult selleks ettenähtud kohtadest:

- Käesüvendid täiendavate tugipindade all **(1)**
- Käesüvend tagumises tsoonis tolmuväljatõmbe **(2)** kõrval
- Käepide saepeal **(3)**

Akude transport

ETTEVAATUST

Soovimatu käivitumine transportimisel !

- ▶ Transportige tooteid ilma akudeta!
- ▶ Eemaldage aku/akud.
- ▶ Ärge kunagi transportige akusid lahtiselt. Enne aku transportimist tuleb aku pakendada nii, et see oleks kaitstud löökide ja vibratsiooni eest ning isoleeritud kõikidest elektrit juhtivatest materjalidest või teistest akudest, et vältida kokkupuudet teise aku poolustega ning lühise teket. **Järgige akude transpordi suhtes kehtivaid riigiseseid nõudeid.**
- ▶ Akusid ei tohi saata posti teel. Kahjustamata akude saatmiseks pöörduge logistikaettevõtja poole.
- ▶ Iga kord enne kasutamist ning enne ja pärast pikemat transporti või hoiustamist kontrollige seadet ja akusid vigastuste suhtes.

Hoiustamine

HOIATUS

Defektsed akud või lekkivad akud võivad tekitada vigastusi !

- ▶ Kasutusvälisel ajal eemaldage seadmest aku!
- ▶ Hoidke seadet ja akusid jahedas ja kuivas kohas. Pidage kinni tehnilistes andmetes toodud temperatuuripiirangutest.
- ▶ Ärge hoidke akusid laadimisseadmes. Pärast laadimist eemaldage aku laadimisseadmest.
- ▶ Ärge hoidke akusid päikese käes, radiaatori peal või klaasi taga.
- ▶ Hoidke seadet ja akusid lastele ja kõrvalistele isikutele ligipääsmatus kohas.
- ▶ Iga kord enne kasutamist ning enne ja pärast pikemaajalist seismist kontrollige seadet ja akusid kahjustuste suhtes.

9 Rikkeabi

Järgige kõigi tõrgete korral aku olekunäidikut. Vt ptk **Li-ioon-aku näidud**.

Rikete korral, mis tabelis ei kajastu või mida Te ise kõrvaldada ei oska, pöörduge **Hilti** teeninduskeskusse.

Tõrge	Võimalik põhjus	Lahendus
Pöörete arv väheneb järsku tugevasti.	Aku on tühi.	▶ Laadige akut.



Törge	Võimalik põhjus	Lahendus
Pöörete arv väheneb järsku tugevasti.	Etteandejõud on liiga suur.	▶ Vähendage etteandejõudu ja lülitage seade uuesti sisse.
Saeketas jääb seisma.	Etteandejõud on liiga suur.	▶ Vähendage etteandejõudu ja lülitage seade uuesti sisse.
Mootori pidurdusfunktsioon ei toimi.	Aku on tühi.	▶ Laadige akut.
Lõikenurgad on ebatäpsed.	Nurga täpsus, skaalad või osutid on reguleeritud.	▶ Kontrollige ja reguleerige seadistusi ja näite. → Lehekülg 131 ▶ Kui te ei saa seadistust ise reguleerida või sae täpsus erineb liiga palju, pöörduge Hilti teeninduse poole.
Aku LED-tuled on kustunud	Aku on defektne	▶ Pöörduge Hilti hooldekeskusse.

10 Utiliseerimine

HOIATUS

Valest käitlemisest tingitud vigastuste oht! Eralduvad gaasid või vedelikud on terviseohtlikud.

- ▶ Ärge saatke kahjustada saanud akusid posti teel!
- ▶ Lühise vältimiseks katke akukontaktid elektrit mittejuhtiva materjaliga.
- ▶ Käidelve akusid nii, et need ei satu laste kätte.
- ▶ Utiliseerige aku **Hilti Store** esinduses või pöörduge asjaomase jäätmekäitlusettevõtte poole.

Enamik **Hilti** seadmete valmistamisel kasutatud materjalidest on taaskasutatavad. Taaskasutuse eelduseks on materjalide korralik sorteerimine. Paljudes riikides kogub **Hilti** kasutusressursi ammendanud seadmed kokku. Lisateavet saate **Hilti** müügiesindusest.



- ▶ Ärge visake kasutusressursi ammendanud elektrilisi tööriistu, elektroonikaseadmeid ja akusid olmejäätmete hulka!

11 Tootja garantii

- ▶ Garantiitingimusi puudutavates küsimustes pöörduge oma kohaliku **Hilti** partneri poole.

12 Lisateave

Lisateavet käsitlemise, tehnika, keskkonna ja ümbertöötuse kohta leiate lingilt: qr.hilti.com/manual/?id=2395172&id=2395174

Selle lingi leiate ka kasutusjuhendi lõpust QR-koodina.

Originaaläe lietošanas instrukcija

1 Informācija par lietošanas instrukciju

1.1 Par šo lietošanas instrukciju

- Brīdinājums! Pirms sākt izstrādājuma lietošanu, pārliecinieties, ka ir izlasīta un saprasta izstrādājumam pievienotā lietošanas instrukcija, ieskaitot pamācības, drošības norādījumus un brīdinājumus, attēlus un specifikācijas. Īpaši rūpīgi iepazīstieties ar pamācībām, drošības norādījumiem un brīdinājumiem, attēliem un specifikācijām, kā arī sastāvdaļām un funkcijām. Neievērošanas gadījumā pastāv elektriskās strāvas trieciena, aizdegšanās un/vai smagu traumu risks. Rūpīgi uzglabājiet lietošanas instrukciju, ieskaitot visas pamācības, drošības norādījumus un brīdinājumus, turpmākai izmantošanai.
- Pievienotā lietošanas instrukcija atbilst aktuālajam tehnikas attīstības līmenim tās sagatavošanas brīdī. Aktuālā versija vienmēr ir pieejama tiešsaistē, Hilti izstrādājumu lapā. Lai tai piekļūtu izmantojiet šajā lietošanas instrukcijā iekļauto saiti vai kvadrāt kodu, kas apzīmēts ar simbolu .



- Vienmēr pievienojiet lietošanas instrukciju izstrādājumam, ja tas tiek nodots citai personai.

1.2 Apzīmējumu skaidrojums

1.2.1 Brīdinājumi

Brīdinājumi pievērš uzmanību bīstamībai, kas pastāv, strādājot ar izstrādājumu. Tiek lietoti šādi signālvārdi:

BĪSTAMI!

BĪSTAMI!

- ▶ Pievērš uzmanību draudošām briesmām, kas var izraisīt smagus miesas bojājumus vai nāvi.

BRĪDINĀJUMS!

BRĪDINĀJUMS!

- ▶ Pievērš uzmanību iespējamam apdraudējumam, kas var izraisīt smagas traumas vai pat nāvi.

IEVĒROT PIESARDZĪBU!

UZMANĪBU!

- ▶ Norāda uz iespējami bīstamām situācijām, kas var izraisīt traumas vai materiālos zaudējumus.

1.2.2 Simboli lietošanas instrukcijā

Šajā lietošanas instrukcijā tiek izmantoti šādi simboli:

	Ievērojiet lietošanas instrukciju
	Norādījumi par lietošanu un cita noderīga informācija
	Rīcība ar atbilstošajiem materiāliem
	Neizmetiet elektroiekārtas un akumulatorus sadzīves atkritumos.
	Hilti Litija jonu akumulators
	Hilti Lādētājs

1.2.3 Attēlos lietotie simboli

Attēlos tiek lietoti šādi simboli:

	Šie skaitļi norāda uz attiecīgajiem attēliem, kas atrodami šīs lietošanas instrukcijas sākumā.
	Numerācija attēlos norāda uz svarīgām darbībām vai detaļām, kas ir svarīgas noteiktām darbībām. Tekstā šīs darbības vai detaļas ir izceltas, apzīmējot ar atbilstošiem numuriem, piemēram, (3) .
	Pozīciju numuri tiek lietoti attēlā Pārskats un norāda uz leģendas numuriem sadaļā Izstrādājuma pārskats .
	Šī simbola uzdevums ir pievērst īpašu uzmanību izstrādājuma lietošanas laikā.

1.3 Simboli atkarībā no izstrādājuma

1.3.1 Vispārīgi simboli

Simboli, kas tiek lietoti saistībā ar izstrādājumu.

	Izstrādājums atbalsta tehnoloģiju NFC, kas ir saderīga ar iOS un Android platformām.
	Līdzstrāva
n_0	Nominālais apgriezīnu skaits tukšgaitā



	Diametrs
	Zāģa asmens izmēri
	Neskatīties gaismas avotā.
Li-Ion	Litija jonu akumulators
	Nekādā gadījumā nesietiet pa akumulatoru ne ar kādiem priekšmetiem un nelietojiet akumulatoru kā instrumentu sišanai.
	Sargājiet akumulatoru no kritieniem. Nelietojiet akumulatoru, ja tas ir bijis pakļauts triecienam vai tam ir radušies cita veida bojājumi.

1.3.2 Aizlieguma zīmes

Aizlieguma zīmes norāda, kādas darbības nav atļautas.

	Bīstamās zona! Raugieties, lai jūsu rokas var pirksti neatrastos šajā zonā.
--	---

1.3.3 Pieprasījuma zīmes

Pieprasījuma zīmes norāda uz obligāti veicamām darbībām.

	Lietojiet dzirdes aizsarglīdzekļus
	Lietot acu aizsarglīdzekļus

1.4 Izstrādājuma informācija

HILTI izstrādājumi ir paredzēti profesionāliem lietotājiem, un to darbināšanu, apkopi un tehniskā stāvokļa uzturēšanu drīkst veikt tikai kvalificēts, atbilstīgi apmācīts personāls. Personālam ir jābūt labi informētam par iespējamajiem riskiem, kas var rasties darba laikā. Izstrādājums un tā papildaprīkojums var radīt bīstamas situācijas, ja to uztic neprofesionālam personālam vai nelieto atbilstīgi nosacījumiem.

Iekārtas tipa apzīmējums un sērijas numurs ir norādīti uz identifikācijas datu plāksnītes.

- ▶ Ierakstiet sērijas numuru zemāk redzamajā tabulā. Izstrādājuma dati jānorāda, vērojoties mūsu pārstāvniecībā vai servisā.

Izstrādājuma dati

Garumošanas leņķzāģis ar akumulatoru	SM 60-22
Paaudze	01
Sērijas Nr.	

1.5 Atbilstības deklarācija

Ražotājs, uzņemoties pilnu atbildību, apliecina, ka šeit aprakstītais izstrādājums atbilst spēkā esošo tiesību aktu un standartu prasībām. Atbilstības deklarācijas attēls ir atrodams šīs dokumentācijas beigās.

Tehnisko dokumentāciju glabā:

Hilti Entwicklungsgesellschaft mbH | Zulassung Geräte | Hiltistraße 6 | 86916 Kaufering, DE

2 Drošība

2.1 Vispārīgi drošības norādījumi par darbu ar elektroiekārtām

⚠ BRĪDINĀJUMS! Iepazīstieties ar visiem drošības norādījumiem, instrukcijām, attēliem un tehnikajiem parametriem, kas attiecas uz šo elektroiekārtu. Turpmāk izklāstīto instrukciju neievērošana var izraisīt elektrošoku, ugunsgrēku un/vai nopietnas traumas.

Saglabājiet visus drošības norādījumus un instrukcijas turpmākai lietošanai.

Drošības norādījumos lietotais apzīmējums "elektroiekārta" attiecas uz iekārtām ar tīkla barošanu (ar barošanas kabeli) vai iekārtām ar barošanu no akumulatora (bez kabeļa).



Drošība darba vietā

- ▶ **Uzturiet darba vietā tīrību un kārtību un nodrošiniet labu apgaismojumu.** Nekārtīgā darba vietā vai sliktā apgaismojumā var viegli notikt nelaimes gadījums.
- ▶ **Nestrādājiet ar elektroiekārtu sprādzienbīstamā vidē, kur atrodas uzliesmojoši šķidrumi, gāzes vai putekļi.** Darbības laikā elektroiekārtas mēdz dzirkstēļot, un tas var izraisīt viegli uzliesmojošu putekļu vai tvaiku aizdegšanos.
- ▶ **Lietojot elektroiekārtu, nelaujiet nepiederošām personām un jo īpaši bērniem tuvoties darba vietai.** Citu personu klātbūtne var novērst uzmanību, un tā rezultātā jūs varat zaudēt kontroli pār iekārtu.

Elektrodrošība

- ▶ **Elektroiekārtas kontaktdakšai jāatbilst elektrotīkla kontaktligzdai. Kontaktdakšas konstrukciju nedrīkst nekādā veidā mainīt. Kopā ar elektroiekārtām, kurām ir aizsargzemējums, nedrīkst lietot adapteru spraudņus.** Neizmainītas konstrukcijas kontaktdakša, kas atbilst kontaktligzdai, ļauj samazināt elektrošoka risku.
- ▶ **Darba laikā nepieskarieties sazemētiem priekšmetiem, piemēram, caurulēm, radiatoriem, plītiem vai ledusskapjiem.** Pieskaroties sazemētām virsmām, pieaug risks saņemt elektrisko triecienu.
- ▶ **Nelietojiet elektroiekārtu lietus laikā, neturiet to mitrumā.** Mitrumam iekļūstot elektroiekārtā, pieaug risks saņemt elektrisko triecienu.
- ▶ **Nenesiet un nepakariniet elektroiekārtu aiz barošanas kabeļa un neraujiet aiz kabeļa, ja vēlaties atvienot iekārtu no elektrotīkla kontaktligzdas. Sargājiet barošanas kabeli no karstuma, eļļas, asām šķautnēm vai kustīgām detaļām.** Bojāts vai sapīņķerējis barošanas kabelis var kļūt par cēloni elektrošokam.
- ▶ **Darbinot elektroiekārtu ārpus telpām, izmantojiet tās pievienošanai vienīgi tādus pagarinātājka-beļus, kas ir paredzēti lietošanai brīvā dabā.** Lietojot elektrokabeļi, kas ir piemērots darbam ārpus telpām, samazinās elektrošoka risks.
- ▶ **Ja elektroiekārtas izmantošana slapjā vidē ir obligāti nepieciešama, lietojiet bojājumstrāvas aizsargslēdzi.** Bojājumstrāvas aizsargslēdža lietošana samazina elektrošoka risku.

Personiskā drošība

- ▶ **Strādājiet ar elektroiekārtu uzmanīgi, darba laikā saglabājiet paškontroli un rīkojieties saskaņā ar veselo saprātu. Ar elektroiekārtu nedrīkst strādāt personas, kas ir nogurušas vai atrodas narkotiku, alkohola vai medikamentu ietekmē.** Mirklis neuzmanības, strādājot ar elektroiekārtu, var novest pie nopietnām traumām.
- ▶ **Izmantojiet individuālos aizsardzības līdzekļus un darba laikā vienmēr valkājiet aizsargbrilles.** Individuālo aizsardzības līdzekļu (putekļu aizsargmaskas, neslidošu apavu un aizsargķiveres vai ausu aizsargu) lietošana atbilstoši elektroiekārtas tipam un veicamā darba raksturam ļauj izvairīties no savainojumiem.
- ▶ **Nepieļaujiet iekārtas nekontrolētas ieslēgšanās iespēju. Pirms pievienošanas elektrotīklam, akumulatora ievietošanas, elektroiekārtas satveršanas vai pārvietošanas pārliecinieties, ka tā ir izslēgta.** Ja iekārtas pārvietošanas laikā pirksts atrodas uz slēdža vai ja ieslēgta iekārta tiek pievienota elektrotīklam, var notikt nelaimes gadījums.
- ▶ **Pirms elektroiekārtas ieslēgšanas jānoņem visi regulēšanas piederumi un uzgriežņu atslēgas.** Regulēšanas piederumi vai uzgriežņu atslēga, kas iekārtas ieslēgšanas brīdī atrodas iekārtā, var radīt traumas.
- ▶ **Izvairieties no nedabiskām pozām. Darba laikā vienmēr saglabājiet līdzsvaru un nodrošinieties pret paslīdēšanu.** Tas atvieglos elektroiekārtas vadību neparedzētās situācijās.
- ▶ **Izvēlieties darbam piemērotu apģērbu. Darba laikā nenēsājiet brīvi plandošas drēbes un rotaslietas. Netuviniet matus, apģērbu un aizsargcimdus iekārtas kustīgajām daļām.** Vaļīgas drēbes, rotaslietas un garī mati var iekerties iekārtas kustīgajās daļās.
- ▶ **Ja elektroiekārtas konstrukcija ļauj pievienot putekļu nosūcšanas vai savākšanas ierīci, sekojiet, lai tā būtu pievienota un tiktu darbināta pareizi.** Putekļu nosūcēja lietošana samazina putekļu kaitīgo ietekmi.
- ▶ **Nezaudējiet modrību un neatkāpieties no elektroiekārtu lietošanas drošības noteikumu ievērošanas arī tad, ja lietojat attiecīgo elektroiekārtu bieži un kārtīgi to pārzināt.** Neuzmanība vienā sekundes daļā var novest pie smagām traumām.

Elektroiekārtas lietošana un apkope

- ▶ **Nepārslodojiet elektroiekārtu. Katram darbam izvēlieties piemērotu iekārtu.** Elektroiekārta darbosies labāk un drošāk pie nominālās slodzes.
- ▶ **Nelietojiet elektroiekārtu, ja ir bojāts tās slēdzis.** Elektroiekārta, ko nevar ieslēgt un izslēgt, ir bīstama un nekavējoties jānodod remontā.



- ▶ **Pirms iestatījumu veikšanas, aprikojuma daļu nomaiņas vai iekārtas novietošanas uzglabāšanā atvienojiet kontaktdakšu no elektrotīkla un/vai noņemiet noņemamo akumulatoru.** Šādi jūs novēršīsiet elektroiekārtas nejaušas ieslēgšanās risku.
- ▶ **Elektroiekārtu, kas netiek darbināta, uzglabājiet piemērotā vietā. Neļaujiet lietot iekārtu personām, kas nav iepazinušas ar tās funkcijām un izlasījušas šo lietošanas instrukciju.** Ja elektroiekārtu lieto nekompetentas personas, tas var apdraudēt cilvēku veselību.
- ▶ **Rūpīgi veiciet elektroiekārtu un to piederumu apkopi. Pārbaudiet, vai kustīgās daļas darbojas bez traucējumiem un neķeras un vai kāda no daļām nav salauzta vai bojāta un tādējādi netraucē elektroiekārtas nevainojamu darbību. Raugieties, lai pirms iekārtas lietošanas tiktu nomainītas vai saremontētas bojātās daļas.** Daudzi nelaimes gadījumi notiek tāpēc, ka elektroiekārtām nav nodrošināta pareiza apkope.
- ▶ **Griezējinstrumentiem vienmēr jābūt uzasinātiem un tīriem.** Rūpīgi kopti griezējinstrumenti ar asām šķautnēm retāk iestrēgst un ir vieglāk vadāmi.
- ▶ **Lietojiet elektroiekārtu, piederumus, maināmos instrumentus utt. saskaņā ar šiem norādījumiem. Jāņem vērā arī konkrētie darba apstākļi un veicamās operācijas īpatnības.** Elektroiekārtu lietošana citiem mērķiem, nekā to ir paredzējusi ražotājfirma, ir bīstama un var izraisīt neparedzamas sekas.
- ▶ **Raugieties, lai rokturu un satveršanas virsmas būtu sausas, tīras, nenotraipītas ar eļļu un smērvielām.** Ja rokturu vai satveršanas virsmas ir slidēnas, nav iespējama droša elektroiekārtas vadība un kontrole neparedzamās situācijās.

Ar akumulatoru darbināmas iekārtas lietošana un apkope

- ▶ **Akumulatora uzlādei jālieto tikai ražotāja ieteiktie lādētāji.** Noteikta veida akumulatoriem paredzēts lādētājs kļūst ugunsbīstams, ja to izmanto ar cita veida akumulatoriem.
- ▶ **Izmantojiet elektroiekārtas barošanai tikai tai paredzētos akumulatorus.** Cita tipa akumulatoru lietošana var izraisīt iekārtas un/vai akumulatora aizdegšanos.
- ▶ **Laikā, kad akumulators ir atvienots no iekārtas, nepieļaujiet tā kontaktu saskaršanos ar saspaudēm, monētām, atslēgām, naglām, skrūvēm vai citiem nelieliem metāla priekšmetiem, kas varētu izraisīt īssavienojumu.** Ja starp akumulatora kontaktiem rodas īssavienojums, tas var sadegt vai kļūt par ugunsgrēka cēloni.
- ▶ **Nepareizi lietojot akumulatoru, no tā var izplūst šķidrums. Nepieļaujiet tā nokļūšanu uz ādas. Ja tas tomēr nejauši ir noticis, noskalojiet ar ūdeni. Ja šķidrums iekļūst acīs, izskalojiet acis un nekavējoties vērsieties pie ārsta.** No akumulatora izplūdušais šķidrums var izraisīt ādas kairinājumu vai apdegumus.
- ▶ **Nelietojiet bojātus vai modificētus akumulatorus.** Bojāti vai modificēti akumulatori var radīt neparedzamas situācijas un izraisīt ugunsgrēku, eksploziju vai traumas.
- ▶ **Nepakļaujiet akumulatoru uguns vai augstas temperatūras iedarbībai.** Uguns vai temperatūra virs 130 °C (265 °F) var izraisīt eksploziju.
- ▶ **Ievērojiet norādījumus par akumulatora lādēšanu un nekad nelādējiet akumulatoru vai ar akumulatoru darbināmo iekārtu ārpus lietošanas instrukcijā norādītā temperatūras diapazona.** Nepareiza lādēšana vai pieļaujamā temperatūras diapazona pārsniegšana var sabojāt akumulatoru un palielināt aizdegšanās risku.

Serviss

- ▶ **Uzdodiet elektroiekārtas remontu veikt tikai kvalificētam personālam, kas izmanto vienīgi oriģinālās rezerves daļas.** Tikai tā ir iespējams saglabāt iekārtas funkcionālo drošību.
- ▶ **Nekādā gadījumā neveiciet bojātu akumulatoru apkopi.** Jebkādas akumulatoru apkopes darbus drīkst veikt tikai ražotājs vai atbilstīgi pilnvarots klientu apkalpošanas dienests.

2.2 Drošības norādījumi darbam ar garumošanas leņķzāģiem

- ▶ **Garumošanas leņķzāģi ir paredzēti koka vai kokam līdzīgu materiālu zāģēšanai, un tos nevar izmantot, lai zāģētu dzelzs materiālus, piemēram, armatūru, stieņus, skrūves utt.** Abrāzīvi putekļi var izraisīt kustīgo daļu, piemēram, apakšējā drošības pārsega, nobloķēšanos. Zāģēšanas radītās dzirksteles var sadedzināt apakšējo drošības pārsegu, ieliekamo plāksni un citas plastmasas daļas.
- ▶ **Ja vien iespējams, nostipriniet zāģējamo priekšmetu ar skrūvspīļu palīdzību. Ja zāģējamais priekšmets tiek pieturēts ar roku, raugieties, lai roka abās pusēs vienmēr atrastos vismaz 100 mm (4") attālumā no zāģa asmens. Neizmantojiet šo zāģi, lai zāģētu priekšmetus, kas ir pārāk mazi, lai tos iespīlētu vai turētu ar roku.** Ja roka atrodas pārāk tuvu zāģa asmenim, pastāv paaugstināts traumu risks, ko rada saskaršanās ar zāģa asmeni.
- ▶ **Zāģējamajam priekšmetam jābūt nekustīgam un nofiksētam, iespīlējot vai spiežot pret atduri un galdū.** Nebīdīet zāģējamo priekšmetu preti zāģa asmenim un nekādā gadījumā nezāģējiet to, ja



tas nav nofiksēts vai atbalstīts. Nenostiprināti vai kustīgi zāģējamie priekšmeti var tikt lielā ātrumā aizsviesti un izraisīt traumas.

- ▶ **Bidiet zāģi cauri zāģējamajam materiālam. Centieties nevilkt zāģi cauri zāģējamajam materiālam. Lai zāģētu, vispirms paceliet zāģa galvu un pavelciet to virs zāģējamā priekšmeta, neveicot zāģēšanu. Pēc tam ieslēdziet motoru, nolaidiet zāģa galvu un spiediet zāģi cauri zāģējamajam priekšmetam.** Ja zāģēšana tiek veikta ar velkošu kustību, pastāv risks, ka zāģa asmens pie zāģējamā priekšmeta pacelsies un viss zāģa asmens bloks tiks spēcīgi atsits iekārtas lietotāja virzienā.
- ▶ **Nekādā gadījumā ne zāģa asmens priekšā, ne aiz tā nenovietojiet roku, krustojot paredzēto zāģējamo līniju.** Atbalstīt zāģējamo priekšmetu „ar krusteniskām rokām”, proti, ar kreiso roku turēt zāģējamo priekšmetu pa labi no zāģa asmens vai otrādi, ir ļoti bīstami.
- ▶ **Zāģa asmens rotācijas laikā nelieciet rokas aiz atdures. Raugieties, lai drošības attālumš starp roku un rotējošo zāģa asmeni nekad nebūtu mazāks nekā 100 mm (4") (attiecas uz abām zāģa asmens pusēm, piemēram, noņemot koksnes atkritumus).** Jūs varat nepamanīt rotējošā zāģa asmens tuvošanos savai rokai un gūt smagas traumas.
- ▶ **Pirms veikt zāģēšanu pārbaudiet zāģējamo priekšmetu. Ja zāģējama priekšmets ir saliecies vai savērpiess, iespējējiet to tā, lai izliktā puse atrastos pie atdures. Vienmēr raugieties, lai gar zāģējamo līniju starp zāģējamo priekšmetu, atduri un galdu neveidotos sprauga.** Ja zāģējama priekšmets ir saliekts vai savērpts, tas zāģēšanas laikā var sagriezties vai nobīdīties un izraisīt rotējošā zāģa asmens iestrēgšanu. Zāģējamajā priekšmetā nedrīkst būt naglu vai citu svešķermeņu.
- ▶ **Strādājiet ar zāģi tikai tad, kad uz galda neatrodas instrumenti, koksnes atgriezumi utt.; uz galda drīkst atrasties tikai zāģējama priekšmets.** Ja nelieli atgriezumi, nenofiksēti kokmateriālu gabali vai citi priekšmeti nonāk saskarē ar rotējošo asmeni, tie var tikt aizsviesti lielā ātrumā.
- ▶ **Vienlaikus zāģējiet tikai vienu priekšmetu.** Ja vairāki zāģējamie priekšmeti ir novietoti cits uz cita, tos nav iespējams kārtīgi iespilēt vai pieturēt un zāģēšanas laikā tie var iestrēgt vai izslīdēt.
- ▶ **Pirms lietošanas pārliecinieties, ka garumošanas leņķzāģis ir novietots uz līdzenas, stingras darba virsmas.** Līdzena un stingra darba virsma samazina risku, ka leņķzāģis kļūs nestabils.
- ▶ **Plānojiet savu darbu. Katrā zāģa asmens slīpuma vai zāģējuma slīpuma leņķa regulēšanas reizē pārliecinieties, ka regulējamā atdure ir pareizi iestatīta un atbalsta zāģējamo priekšmetu, nesaskaroties ar asmeni vai drošības pārsegu.** Pirms iekārtas ieslēgšanas un zāģējamā priekšmeta novietošanas uz galda jāimitē pilnīga zāģa asmens zāģēšanas kustība, lai nodrošinātu, ka nekādi šķēršļi netraucē kustību vai nepastāv risks iezāģēt atdurē.
- ▶ **Ja zāģējamie priekšmeti ir plātāki vai garāki nekā galdā virsma, nodrošiniet atbilstošu atbalstu, piemēram, galdā pagarinājumu vai zāģēšanas steķus.** Ja zāģējamie priekšmeti ir garāki vai plātāki nekā garumošanas leņķzāģa galds, netiek stingri atbalstīti, tie var sasvērties. Ja nozāģētā kokmateriāla daļa un zāģējama priekšmets saveras, tas var pacelt apakšējo drošības pārsegu vai tikt nekontrolēti izviesi pēc atsišanās pret rotējošo asmeni.
- ▶ **Neuzdodiet balstīt zāģējamo priekšmetu citiem cilvēkiem, lai aizstātu galdā pagarinājumu vai papildu atbalstu.** Nestabils zāģējamo priekšmetu atbalsts var izraisīt asmens iestrēgšanu. Turklāt zāģējama priekšmets zāģēšanas laikā var pārvietoties un pievilkt jūs un palīgu pie rotējošā asmeni.
- ▶ **Nozāģēto daļu nedrīkst spiest pret rotējošo zāģa asmeni.** Ja ir maz vietas, piemēram, izmantojot garenvirziena atdures, nozāģētais gabals var nobloķēties pie asmens un var tikt aizsviests ar spēku.
- ▶ **Vienmēr izmantojiet spīļatbalstu vai piemērotu ierīci, lai pienācīgi atbalstītu apaļus priekšmetus, piemēram, stienus vai caurules.** Zāģēšanas laikā stienim piemīt rīpošanas tendence, kā rezultātā asmens var „iekosties” un pievilkt pie asmens zāģējamo priekšmetu kopā ar jūsu roku.
- ▶ **Pirms iezāģēšanas zāģējamajā priekšmetā ļaujiet asmenim sasniegt pilnu ātrumu.** Tas samazina zāģējamā priekšmeta aizsviešanas risku.
- ▶ **Ja iestrēgst zāģējama priekšmets vai nobloķējas asmens, izslēdziet leņķzāģi. Pagaidiet, līdz visu kustīgo daļu kustība ir apstājusies, atvienojiet barošanas kabeli un/vai izņemiet akumulatoru. Pēc tam izņemiet iestrēgušo materiālu.** Ja pēc šādas iestrēgšanas tiek turpināta zāģēšana, pastāv risks, ka tiks zaudēta kontrole vai sabojāts leņķzāģis.
- ▶ **Kad zāģējums ir pabeigts, atlaidiet slēdzi, turiet zāģa galvu uz leju un nogaidiet, līdz apstājas asmens kustība, un tikai pēc tam noņemiet nozāģēto daļu.** Ir ļoti bīstami zāģa asmens inerces kustības laikā tuvināt tam roku.
- ▶ **Stingri turiet rokturi, ja tiek veikts nepilnīgs zāģējums vai slēdzis tiek atlaists, pirms zāģa galva ir sasniegusi apakšējo stāvokli.** Zāģa bremzēšanas efekts var izraisīt strauju zāģa galvas pavilkšanu uz leju un tādējādi radīt traumu risku.

2.3 Papildnorādījumi par drošību

- ▶ Lietojiet izstrādājumu un tā papildaprīkojumu tikai tad, ja tas ir nevainojamā stāvoklī.



- ▶ Nekādā gadījumā nemēģiniet ietekmēt izstrādājuma vai tā papildaprīkojuma funkcijas vai to pārveidot.
- ▶ Traumu risks, ko rada kritoši instrumenti un/vai piederumi. Pirms darba sākšanas pārbaudiet, vai akumulatoru un uzmontētais papildaprīkojums ir kārtīgi nofikasēti.
- ▶ Putekļi, kas rodas slīpēšanas, griešanas un urbšanas laikā, var saturēt bīstamas ķīmikālijas. Daži piemēri: svins vai krāsas uz svina bāzes; ķieģeļi, betons un citi mūra materiāli, dabīgais akmens un citi silikātus saturoši produkti; noteiktu veidu koksne, piemēram, skābardis, ozols un ķīmiska apstrādāta koksne; azbests vai azbestu saturoši materiāli. Nosakiet ekspozīcijas līmeni, kam pakļauts iekārtas lietotājs un tuvumā esošās personas, vadoties pēc apstrādājamo materiālu bīstamības kategorijas. Veiciet nepieciešamos pasākumus, lai ekspozīcija nesasniegtu kaitīgu līmeni, piemēram, lietojiet putekļu nosūkšanas sistēmu vai piemērotus elpceļu aizsardzības līdzekļus. Vispārīgie ekspozīcijas ierobežošanas pasākumi ir šādi:
 - ▶ darbs labi vēdināmās vietās,
 - ▶ izvairīšanās no ilgstošas saskares ar putekļiem,
 - ▶ putekļu novirzīšana projām no sejas un ķermeņa,
 - ▶ aizsargapģērba valkāšana un savārtītā apģērba mazgāšana ar ūdeni un ziepēm.
- ▶ Izstrādājuma lietošanas laikā valkājiet acu aizsarglīdzekļus, aizsargķiveri, dzirdes aizsarglīdzekļus un piemērotus elpceļu aizsarglīdzekļus.
- ▶ Biežāk pārtrauciet darbu un izpildiet pirkstu vingrinājumus, kas uzlabo asinsriti. Ilgstoša darba gadījumā spēcīga vibrācija var radīt traucējumus pirkstu, roku vai plaukstu locītavu asinsvadu un nervu sistēmas funkcijās.
- ▶ Vienmēr raugieties, lai nebūtu nosprostotas ventilācijas atveres. Ventilācijas atveru nosprostošanās var izraisīt apdegumus!
- ▶ Neatļaidiet rokturi, kad zāga galva ir pārvietota uz leju. Vienmēr kontrolēti pārvietojiet zāga galvu atpakaļ augšējā pozīcijā. Nekontrolēta zāga galvas kustība var radīt traumu risku.
- ▶ Neizmantojiet neasus, saplaisājušus vai bojātus zāga asmeņus. Zāga asmeņi ar neasiem vai nepareizi izločītiem zobiem veido pārāk šauru zāgējuma rievu, kā rezultātā palielinās berze, kā arī asmens ripas iestrēgšanas vai atsietna risks.
- ▶ Nekādā gadījumā neveiciet zāgējuma vietas attīrīšanu no zāgēšanas atgriezumiem, kokskaidām utt., kamēr zāģis darbojas. Vienmēr vispirms izslēdziet zāģi un pārvietojiet zāga galvu atpakaļ augšējā pozīcijā.
- ▶ Izmantojiet tikai lietošanai ar šo izstrādājumu apstiprinātus zāga asmeņus, kas atbilst tehniskajos parametros un/vai uz izstrādājuma norādītajiem datiem (piemēram, diametram, ātrumam, biežumam, montāžas atverei, materiālam utt.) un ir pārbaudīti un marķēti saskaņā ar standartu EN 847-1.
- ▶ Lietojiet tikai tādas zāga ripas, kuru pieļaujama apgriezīnu skaits ir vismaz tikpat liels kā uz izstrādājuma norādītais maksimālais apgriezīnu skaits.
- ▶ Pēc darba pabeigšanas nepieskarieties zāga asmenim, kamēr tas nav atdzisis. Darba laikā zāga asmens ļoti spēcīgi sakarst.
- ▶ Zāga asmens nomaiņas laikā valkājiet aizsargcimdus.
- ▶ Pirms katras lietošanas pārbaudiet, vai drošības pārsegs aizveras nevainojami. Pārvietojiet zāga galvu uz leju un kontrolēti pārvietojiet to atpakaļ augšējā pozīcijā. Nelietojiet zāģi, ja drošības pārsegs nekustas brīvi un nekavējoties neaizveras. Nekādā gadījumā nemēģiniet nofikasēt vai atsiet pārsegu atvērtā pozīcijā.
- ▶ Nekādā gadījumā nelietojiet izstrādājumu bez drošības pārsega.
- ▶ Zāģējot alumīnija profilus, vienmēr darbiniet iekārtu ar mazu ātrumu.
- ▶ Vienmēr izmantojiet un nofikasējiet izstrādājumam piestiprinātos papildu atbalstus.
- ▶ Transportējot izstrādājumu, izmantojiet tā satveršanai tikai šim nolūkam paredzētās vietas (satveršanas iedobes un transportēšanas rokturi). Nekādā gadījumā nepārvietojiet elektroiekārtu, satverot aiz bidāmās sviras vai roktura. → Lappuse 157
- ▶ Raugieties, lai netiktu pārkaršētas zāga zobu smalles. Zāģējot plastmasas materiālus, nedrīkst pielaut plastmasas kušanu.

2.4 Akumulatoru pareiza lietošana un apkope

- ▶ **Ievērojiet turpmāk izklāstītos drošības norādījumus, lai litiņa jonu akumulatoru lietošana neradītu apdraudējumu.** Norādījumu neievērošana var izraisīt ādas kairinājumus, smagas korozīvas traumas, ķīmiskos apdegumus, ugunsgrēku vai eksploziju.
- ▶ Lietojiet akumulatorus tikai tad, ja tie ir nevainojamā tehniskajā stāvoklī.
- ▶ Rīkojieties ar akumulatoriem uzmanīgi, lai pasargātu tos no bojājumiem un nepieļautu veselībai ļoti kaitīgu šķidrums izplūdi!
- ▶ Nekādā gadījumā nedrīkst veikt akumulatoru pārveidi vai citas neatļautas manipulācijas!
- ▶ Akumulatorus nedrīkst izjaukt, saspīst, sakarsēt virs 80 °C (176 °F) vai sadedzināt.



- ▶ Nelietojiet un nemēģiniet uzlādēt akumulatorus, kas bijuši pakļauti triecieniem vai ir bojāti citā veidā. Regulāri pārbaudiet, vai akumulatoriem nav konstatējamas bojājumu pazīmes.
- ▶ Nekādā gadījumā nelietojiet atjaunotus vai remontētus akumulatorus.
- ▶ Nekādā gadījumā nelietojiet akumulatoru vai ar akumulatoru darbināmu elektroiekārtu kā instrumentu sišanai.
- ▶ Nekādā gadījumā nepakļaujiet akumulatorus tiešiem saules stariem, augstai temperatūrai, dzirkstelēm vai atklātai liesmai. Tas var izraisīt eksploziju.
- ▶ Nepieskarieties bateriju poliem ar pirkstiem vai instrumentiem un nepieļaujiet, ka tie nonāk saskarē ar rotaslietām vai citiem priekšmetiem, kam piemīt elektriskā vadītspēja. Tas var izraisīt akumulatoru bojājumus, kā arī materiālu kaitējumu un traumas.
- ▶ Sargājiet akumulatorus no lietus un mitruma un šķidrumiem. Mitruma iekļūšana var izraisīt īssavienojumu, elektrisko triecienu, apdegumus, ugunsgrēku un eksploziju.
- ▶ Lietojiet kopā ar akumulatoru tikai tā tipam paredzētos lādētājus un elektroiekārtas. Ievērojiet attiecīgo lietošanas instrukciju norādījumus.
- ▶ Nelietojiet un neuzglabājiet akumulatoru sprādzienbīstamā vidē.
- ▶ Ja akumulators kļūst pārāk karsts, iespējams, ka tas ir bojāts. Novietojiet akumulatoru labi pārrēdamā, ugunsdrošā vietā, pietiekamā atstatumā no degošiem materiāliem. Ļaujiet akumulatoram atdzist. Ja pēc stundas akumulators joprojām ir tik karsts, ka to ir grūti satvert, tas nozīmē, ka tas ir bojāts. Vērsieties servisā **Hilti** vai izlasiet dokumentu "Norādījumi par **Hilti** litija jonu akumulatoru drošību un lietošanu".



ievērojiet īpašos norādījumus, kas attiecas uz litija jonu akumulatoru transportēšanu, uzglabāšanu un lietošanu.

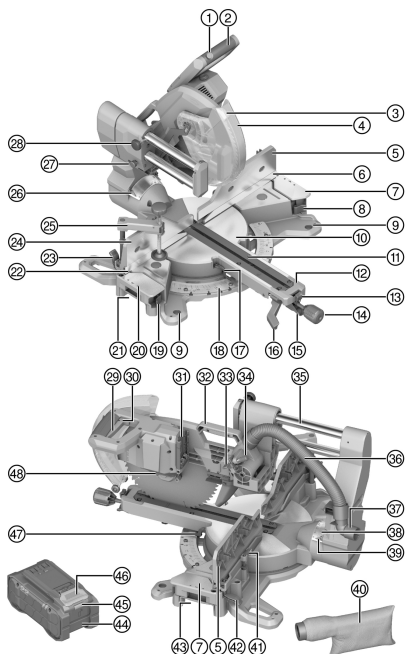
Izlasiet Norādījumus par **Hilti** litija jonu akumulatoru drošību un lietošanu, kas ir pieejami, noskenējot QR kodu šīs lietošanas instrukcijas beigās.





2395174

3.1 Izstrādājuma pārskats 1



- ① Ieslēgšanās bloķēšana
- ② Rokturis
- ③ Zāģēšanas LED indikācija
- ④ Drošības pārsegs
- ⑤ Augšējā slīpuma atdure labajā pusē
- ⑥ Apakšējā slīpuma atdure labajā pusē
- ⑦ Papildu atbalsts labajā pusē
- ⑧ Papildu atbalsta atbloķēšanas svira labajā pusē
- ⑨ Stiprinājuma atvere
- ⑩ Grozāmais paliktņis
- ⑪ Rievu plāksnes
- ⑫ Grozāmā paliktņa svira
- ⑬ Grozāmā paliktņa atbloķēšanas sviras fiksācijas pozīcija
- ⑭ Grozāmā paliktņa fiksators
- ⑮ Grozāmā paliktņa atbloķēšanas svira
- ⑯ Vertikālā slīpuma leņķa atbloķēšanas svira
- ⑰ Horizontālā slīpuma leņķa rādītājs kreisajā pusē
- ⑱ Horizontālā slīpuma leņķa skala
- ⑲ Papildu atbalsta atbloķēšanas svira kreisajā pusē
- ⑳ Papildu atbalsts kreisajā pusē
- ㉑ Satveršanas iedobe kreisajā pusē
- ㉒ Apakšējā slīpuma atdure kreisajā pusē
- ㉓ Augšējās slīpuma atdures atbloķēšanas svira kreisajā pusē
- ㉔ Augšējā slīpuma atdure kreisajā pusē
- ㉕ Spīļatbalsts
- ㉖ Vertikālā slīpuma leņķa rādītājs kreisajā pusē
- ㉗ Transportēšanas drošinātājs
- ㉘ Izvelkamā pagarinājuma fiksācijas skrūve
- ㉙ Ieslēgšanas un izslēgšanas slēdzis
- ㉚ Atvere piekaramajai slēdzeni
- ㉛ Akumulatora pieslēgvietā
- ㉜ Transportēšanas rokturis
- ㉝ Dziļuma atdures plāksne
- ㉞ Dziļuma atdure
- ㉟ Izvelkamais pagarinājums / bīdstienis
- ⓫ Putekļu nosūkšanas savienojuma šļūtene
- ⓬ Putekļu nosūkšanas īscaurule
- ⓭ Vertikālā slīpuma leņķa skala
- ⓮ Vertikālā slīpuma leņķa rādītājs labajā pusē
- ⓯ Putekļu maisiņš
- ⓰ Iekšējā sešstūra atslēga
- ⓱ Augšējās slīpuma atdures atbloķēšanas svira labajā pusē
- ⓲ Satveršanas iedobe labajā pusē
- ⓳ Akumulators
- ⓴ Akumulatora statusa indikācija
- ⓵ Akumulatora atbloķēšanas taustiņš
- ⓶ Horizontālā slīpuma leņķa rādītājs labajā pusē
- ⓷ Vārpstas bloķēšana



3.2 Nosacījumiem atbilstīga lietošana

Aprakstītais izstrādājums ir ar akumulatoru darbināms garumošanas leņķzāģis. Tas ir paredzēts koka, koksnes produktu, plastmasas un alumīnija profilu zāģēšanai. Šo izstrādājumu var izmantot perpendikulāru zāģējumu un slīpu zāģējumu veikšanai.

Izstrādājums ir aprīkots ar skaidu nosūknšanas pieslēguma īscauruli, kas ir piemērota izplatītāko nosūcēja šļūtenu pievienošanai. Putekšsūcēja šļūtenes savienošanai ar zāģi var būt nepieciešams atbilstīgs adapters.

- Lietojiet zāģi tikai kopā ar komplektā iekļauto skaidu maisiņu vai piemērotu putekļu nosūcēju.
- Izmantojiet tikai lietošanai ar šo izstrādājumu atļautās zāģa ripas, kas atbilst tehniskajā specifikācijā norādītajiem parametriem (piemēram, diametram, apgriezīenu skaitam, biežumam, materiālam utt.). Nav atļauts izmantot slīpriņas un griezējriņas, kā arī zāģa ripas, kas izgatavotas no augsta leģējuma ātrgriešanas tērauda (HSS).
- Nekādā gadījumā nelietojiet izstrādājumu magnija zāģēšanai.
- Lietojiet kopā ar šo izstrādājumu tikai sērijas B 22 **Hilti** litija jonu akumulatorus Nuron. Lai nodrošinātu optimālu darbības efektivitāti, **Hilti** iesaka kopā ar šo izstrādājumu lietot šīs lietošanas instrukcijas beigās iekļautajā tabulā norādītos akumulatorus.
- Lietojiet šo akumulatoru uzlādēšanai tikai šīs lietošanas instrukcijas beigās iekļautajā tabulā norādīto sēriju **Hilti** lādētājus.

3.3 Piegādes komplektācija

Garumošanas leņķzāģis, zāģa ripa, fiksācijas atloks, atbalsta atloks, fiksācijas skrūve, iekšējā sešstūra atslēga, spīļatbalsts, grozāmā paliktna fiksators, lietošanas instrukcija

Citus šim izstrādājumam izmantojamus sistēmas produktus meklējiet **Hilti Store** vai tīmekļvietnē: www.hilti.group

3.4 Litija jonu akumulatora indikācija

Hilti litija jonu akumulatoru Nuron indikācija var informēt par akumulatora uzlādes līmeni, kļūmēm un stāvokli.

3.4.1 Uzlādes līmeņa indikācija un kļūmes paziņojumi

BRĪDINĀJUMS!

Traumu risks akumulatora nokrišanas gadījumā!

- Ja akumulators ir ievietots un tiek nospiests atbloķēšanas taustiņš, nodrošiniet, lai akumulators atkal tiktu kārtīgi nofiksēts izstrādājumā.

Lai redzētu kādu no turpmāk aprakstītajām indikācijas veidiem, īsi nospiediet akumulatora atbloķēšanas taustiņu.

Uzlādes līmeņa un varbūtējo traucējumu indikācija ir redzama arī pastāvīgi, kamēr izstrādājums ir ieslēgts.

Stassus	Nozīme
Četras (4) LED konstanti deg zaļā krāsā	Uzlādes līmenis: no 100 % līdz 71 %
Trīs (3) LED konstanti deg zaļā krāsā	Uzlādes līmenis: no 70 % līdz 51 %
Divas (2) LED konstanti deg zaļā krāsā	Uzlādes līmenis: no 50 % līdz 26 %
(1) LED konstanti deg zaļā krāsā	Uzlādes līmenis: no 25 % līdz 10 %
Viena (1) LED lēni mirgo zaļā krāsā	Uzlādes līmenis: < 10 %
(1) LED ātri mirgo zaļā krāsā	Litija jonu akumulators ir pilnībā izlādējies. Uzlādējiet akumulatoru. Ja LED pēc akumulatora uzlādes joprojām ātri mirgo, vērsieties Hilti servisā.
(1) LED ātri mirgo dzeltenā krāsā	Litija jonu akumulators vai tam pievienotais izstrādājums ir pārslogots, pārāk karsts vai pārāk auksts vai ir radusies cita kļūme. Nodrošiniet, lai izstrādājums vai akumulators būtu ieteicamajā darba temperatūrā, un lietojiet izstrādājumu tā, lai tas netiktu pārslogots. Ja indikācija nepazūd, vērsieties Hilti servisā.



Stass	Nozīme
Viena (1) LED konstanti deg dzeltenā krāsā	Litija jonu akumulators un ar to savienotais izstrādājums nav savā starpā saderīgi. Lūdzu, vērsieties Hilti servisā.
(1) LED ātri mirgo sarkanā krāsā	Litija jonu akumulators ir bloķēts un nav lietojams. Lūdzu, vērsieties Hilti servisā.

3.4.2 Akumulatora stāvokļa indikācijas

Lai apskatītu akumulatora stāvokļa indikāciju, turiet atbloķēšanas taustiņu nospiestu ilgāk nekā trīs sekundes. Sistēma konstatē, ka potenciālu baterijas kļūmi, ko var izraisīt neatbilstīga apiešanās, piemēram, kritiens, saduršana, ārēja karstuma iedarbība utt.

Stass	Nozīme
Visas LED deg kā skrejošā gaisma, pēc tam viena (1) LED konstanti deg zaļā krāsā.	Akumulatoru var turpināt lietot.
Visas LED deg kā skrejošā gaisma, pēc tam viena (1) LED konstanti deg dzeltenā krāsā.	Akumulatora stāvokļa informācijas nolasīšanu neizdevās pabeigt. Atkārtojiet procesu vai vērsieties Hilti servisā.
Visas LED deg kā skrejošā gaisma, pēc tam viena (1) LED konstanti deg sarkanā krāsā.	Ja pievienoto izstrādājumu var turpināt lietot, atlikusi akumulatora kapacitāte ir mazāka nekā 50 %. Ja pievienoto izstrādājumu vairs nevar lietot, akumulators ir savu laiku nokalpojis un jānomaina pret citu. Lūdzu, vērsieties Hilti servisā.

4 Tehniskie parametri

4.1 Izstrādājuma īpašības

Nominālais spriegums	21,6 V	
Nominālais rotācijas ātrums tukšgaitā	4 300 apgr./min	
Zāģa ripas diametrs	305 mm	
Pamatripas biezums	0,5 mm ... 1,5 mm	
Zāģa ripas stiprinājuma atvere	30 mm	
Zāģējuma platums	3,2 mm	
Maksimālais horizontālais slīpuma leņķis	Pa labi	≤ 60°
	Pa kreisi	≤ 52°
Maksimālais vertikālais slīpuma leņķis	Pa labi	≤ 48°
	Pa kreisi	≤ 48°
Maksimālā zāģēšanas jauda neatkarīgi no citiem izmēriem vai slīpuma leņķiem	Augstums	≤ 100 mm
	Platums	≤ 360 mm
Svars	25,6 kg (saskaņā ar EPTA-Procedure 01, bez akumulatora)	
Apkārtējā temperatūra darbības laikā	-17 °C ... 60 °C	
Uzglabāšanas temperatūra	-20 °C ... 70 °C	

4.2 Akumulators

Akumulatora darba spriegums	21,6 V
Akumulatora svars	Skat. šīs lietošanas instrukcijas beigās
Apkārtējā temperatūra darbības laikā	-17 °C ... 60 °C



Uzglabāšanas temperatūra	-20 °C ... 40 °C
Akumulatora temperatūra uzlādes sākumā	-10 °C ... 45 °C

4.3 Informācija par troksni un vibrāciju saskaņā ar EN 62841

Šajās instrukcijās norādītie lielumi, kas raksturo skaņas spiedienu un vibrāciju, ir noteikti ar standartizētas mērījumu metodes palīdzību, un tos var izmantot elektroiekārtu savstarpējai salīdzināšanai. Tos var izmantot arī trokšņa un vibrācijas iedarbības pagaidu novērtējumam.

Norādītie parametri attiecas uz elektroiekārtas galvenajiem lietošanas veidiem. Taču, ja elektroiekārta tiek izmantota citos nolūkos, ar citiem maināmajiem instrumentiem vai netiek nodrošināta pietiekama tās apkope, parametri var atšķirties no norādītajiem. Tas var ievērojami palielināt trokšņa un vibrācijas iedarbību visā darba laikā.

Lai precīzi novērtētu iedarbību, jāņem vērā arī laiks, cik ilgi iekārta ir izslēgta vai ir ieslēgta, taču faktiski netiek darbināta. Tas var būtiski samazināt iedarbību kopējā darba laikā.

Jāparedz papildu drošības pasākumi, lai aizsargātu iekārtas lietotāju pret trokšņa un/vai vibrācijas iedarbību, piemēram, elektroiekārtas un apkope, roku turēšana siltumā, darba procesu organizācija.

Informācija par troksni

Skaņas jaudas līmenis (L_{WA})	101 dB(A)
Skaņas spiediena līmenis (L_{pA})	90 dB(A)
Pielaide (L_{WA} un L_{pA})	3 dB(A)

Kopējie vibrācijas rādītāji

Vibrācijas emisijas rādītāji	B 22-55	$\leq 2,5 \text{ m/s}^2$
	B 22-255	$\leq 2,5 \text{ m/s}^2$
Iespējamā kļūda		1,5 m/s^2

4.4 Maksimālā zāģēšanas jauda

Norādītie augstuma un platuma izmēri ir savstarpēji atkarīgi. Maksimālās iespējamās augstuma un platuma vērtības ir atrodamas nodaļā Izstrādājuma īpašības. → Lappuse 146

Horizontālais slīpuma leņķis	Vertikālais slīpuma leņķis	Augstums x platums
0°	0°	100 mm x 355 mm
	22,5° pa labi	72 mm x 355 mm
	22,5° pa kreisi	90 mm x 355 mm
	30° pa labi	60 mm x 355 mm
	30° pa kreisi	78 mm x 355 mm
	45° pa labi	40 mm x 355 mm
	45° pa kreisi	65 mm x 340 mm
	48° pa labi	30 mm x 355 mm
45° pa labi 45° pa kreisi	48° pa kreisi	50 mm x 355 mm
	0°	100 mm x 250 mm
	45° pa labi	40 mm x 250 mm
52° pa kreisi	45° pa kreisi	62 mm x 250 mm
	0°	100 mm x 200 mm
	45° pa labi	40 mm x 220 mm
60° pa labi	45° pa kreisi	62 mm x 220 mm
	0°	100 mm x 176 mm
	45° pa labi	40 mm x 178 mm
	45° pa kreisi	30 mm x 190 mm



5 Sagatavošanās darbam



BRĪDINĀJUMS!

Traumu risks nejaušas iedarbošanās gadījumā!

- ▶ Pirms akumulatora ievietošanas pārlicinieties, ka attiecīgais izstrādājums ir izslēgts.
- ▶ Pirms iekārtas iestāšanās vai piederumu maiņas izņemiet no iekārtas akumulatoru.

Ievērojiet drošības norādījumus un brīdinājumus, kas atrodami šajā dokumentācijā un uz izstrādājuma.

5.1 Fiksatora montāža

Piegādes stāvoklī grozāmā galda fiksators nav piemontēts. Tas ir jāpiemontē, pirms sākt zāga lietošanu.

- ▶ Ieskrūvējiet fiksatoru grozāmā paliktņa svirā.

5.2 Akumulatora uzlādēšana

1. Pirms uzlādes sākšanas izlasiet lādētāja lietošanas instrukciju.
2. Raugieties, lai akumulatora un lādētāja kontaktu virsmas ir tīras un sausas.
3. Veiciet akumulatora uzlādi atbilstīgā lādētājā. → Lappuse 145

5.3 Akumulatora ievietošana



BRĪDINĀJUMS!

Traumu risks issavienojuma vai akumulatora nokrišanas gadījumā!

- ▶ Pirms akumulatora ievietošanas pārlicinieties, ka uz akumulatora un izstrādājuma kontaktiem neatrodas nekādi svešķermeņi.
- ▶ Pārbaudiet, vai akumulators ir droši nofiksēts.

1. Pirms pirmās lietošanas pilnībā uzlādējiet akumulatoru.
2. Iebīdīet akumulatoru izstrādājumā, līdz tas dzirdami nofiksējas.
3. Pārbaudiet, vai akumulators ir droši nofiksēts.

5.4 Akumulatora izņemšana

1. Nospiediet akumulatora atbloķēšanas taustiņu.
2. Izvelciet akumulatoru no iekārtas.

5.5 Izstrādājuma montāža

Izstrādājumam jābūt novietotam uz līdzenas un stabilas virsmas un piestiprinātam.

1. Novietojiet izstrādājumu uz līdzenas un stabilas virsmas.
2. Pieskrūvējiet izstrādājumu pie darba virsmas ar montāžas atveru palīdzību. Šim nolūkam lietojiet piemērotas skrūves.
3. Pastāv arī iespēja piestiprināt iekārtas kājas pie darba virsmas, izmantojot tirdzniecībā pieejamus spīļatbalstus.



Hilti kā papildaprīkojumu piedāvā arī statīvu, pie kura var piemontēt izstrādājumu mobilai lietošanai.

5.6 Novietošana darba pozīcijā

1. Viegli paspiediet zāga galvu uz leju un izvelciet transportēšanas drošinātāju.
2. Kontrolēti pārvietojiet zāga galvu uz augšu.

5.7 Putekļu nosūkšana

5.7.1 Putekļu maisiņa montāža

Putekļu maisiņš palīdz uzturēt darba vietā tīrību un savāc lielu daļu no darba laikā radītajiem putekļiem.

- ▶ Uzsprieties putekļu maisiņu uz nosūkšanas īscaurules.



5.7.2 Putekļu nosūcēja pievienošana

Putekļu nosūcējam jābūt piemērotam darbam ar apstrādājamo materiālu. Kaitīgu, kancerogēnu vai sausu putekļu nosūkšanai lietojiet atbilstīgu speciālo putekļsūcēju.

- ▶ Pievienojiet iesūkšanas šļūteni pie nosūkšanas īscaurules.

5.8 Zāga ripas montāža

Nodrošiniet, lai nofiksēšanai paredzētā zāga ripa atbilstu tehniskajām prasībām un būtu nevainojami uzasināta. Asi zāga ripas zobi ir priekšnoteikums nevainojamai zāgējuma kvalitātei.

1. Notīriet stiprinājuma un fiksācijas atlokus.
2. Uzlieciet atbalsta atloku uz darba vārpstas, raugoties, lai tas būtu novietots pareizā virzienā **(1)**.
3. Atveriet svārstīgo aizsargu **(2)**.
4. Uzlieciet jaunu zāga ripu.



Pievērsiet uzmanību uz zāga ripas un izstrādājuma attēlotajām rotācijas virziena bultiņām **(3)**. Tām jāsakrīt.

5. Pareizā virzienā uzlieciet ārējo fiksācijas atloku **(4)**.
6. Ieskrūvējiet fiksācijas skrūvi.
7. Nofiksējiet iekšējā sešstūra atslēgu uz zāga ripas fiksācijas skrūves.
8. Nospiediet un turiet nospiestu vārpstas bloķētāju **(5)**.
9. Pievelciet fiksācijas skrūvi ar iekšējā sešstūra atslēgu **(6)**.
10. Pārbaudiet, vai zāga ripas fiksācija ir nevainojama.
11. Pārbaudiet, vai nav traucēta zāga asmens kustība. Neatkarīgi no iestatījuma (horizontālā un/vai vertikālā slīpuma leņķa) zāga asmens nekādā gadījumā nedrīkst nonākt saskarē ar citām zāga daļām.
12. Ievienojiet iekšējā sešstūra atslēgu šim nolūkam paredzētajā turētājā.

5.9 Zāga ripas demontāža



BRĪDINĀJUMS!

Apdedzināšanās un sagriešanās risks, pieskaroties zāga ripai, fiksācijas skrūvei un fiksācijas atlokam.

Tas var izraisīt apdegumus un grieztas traumas.

- ▶ Mainot instrumentus, lietojiet aizsargcimdus.

1. Nospiediet un turiet nospiestu vārpstas bloķētāju **(1)**.
2. Atskrūvējiet fiksācijas skrūvi ar iekšējā sešstūra atslēgu **(2)**.
3. Izņemiet fiksācijas skrūvi un noņemiet fiksācijas atloku **(3)**.
4. Atveriet svārstīgo aizsargu **(4)** un noņemiet zāga ripu **(5)**.



Ja nepieciešams, atbalsta atloku var noņemt, lai veiktu tīrīšanu.

6 Lietošana

Ievērojiet drošības norādījumus un brīdinājumus, kas atrodami šajā dokumentācijā un uz izstrādājuma.

6.1 Izvelkamā pagarinājuma bloķēšana / atbloķēšana

Izvelkamo pagarinājumu var nobloķēt jebkurā vietā.

1. Lai nobloķētu izvelkamo pagarinājumu, pagrieziet fiksācijas skrūvi **(1)** pulksteņrādītāja kustības virzienā.
 - ▶ Fiksācijas skrūve nofiksē bīdstieni, novēršot slīdēšanas kustību.
2. Lai atbloķētu izvelkamo pagarinājumu, pagrieziet fiksācijas skrūvi **(1)** pretēji pulksteņrādītāja kustības virzienam.

6.2 Griezuma dziļuma iestatīšana ar dziļuma atdures palīdzību

Izmantojiet dziļuma atduri, ja vēlaties, piemēram, izzāgēt rievu.

1. Pagrieziet dziļuma atdures plāksni **(1)** tā, lai zāga galvas nolaišanas laikā dziļuma atdure neizietu cauri atverei.



2. Iestatiet nepieciešamo zāgējuma dziļumu, izmantojot rievgalvas skrūvi **(2)**.
3. Kad vairs nav nepieciešams ierobežot zāgējuma dziļumu, pagrieziet atdures plāksni **(1)** tā, lai dziļuma atdure izietu cauri atverei, kad zāga galva ir nolaista.

6.3 Zāga galda pagarināšana **7**

BRĪDINĀJUMS!

Traumu risks, ko rada gari apstrādājami priekšmeti. Gari zāgējamie priekšmeti zāgēšanas laikā var nekontrolēti sasvārties, pacelt drošības pārsegu, izraisīt zāga asmens iestrēgšanu un izraisot atsitienu.

- ▶ Atbalstiet garus zāgējamus priekšmetus ar papildu stēķiem vai tamīdzīgām atbalsta konstrukcijām.

Zāga galda atbalsta virsmu var palielināt, izmantojot papildu atbalstus labajā un/vai kreisajā pusē.

1. Atveriet papildu atbalsta atbloķēšanas sviru **(1)**.
2. Izvelciet papildu atbalstu **(2)**.
3. Nobloķējiet papildu atbalsta atbloķēšanas sviru **(1)**.
4. Ja nepieciešams, atkārtojiet darbības ar papildu atbalstu pretējā pusē.

6.4 Augšējo slīpuma atduru iestatīšana **3, 9**

Atkarībā no horizontālā un/vai vertikālā slīpuma leņķa iestatījuma augšējās slīpuma atdures ir jāpavelk uz ārpusi vai jānoņem pavisam.

1. Atveriet slīpuma atdures atbloķēšanas sviru **(1)** kreisajā vai labajā pusē.
2. Izvelciet augšējo slīpuma atduri **(2)** uz ārpusi tik tālu, cik nepieciešams, vai noņemiet augšējo slīpuma atduri pavisam.
3. Aizveriet atbloķēšanas sviru **(1)**.
 - ▶ Lai veiktu taisnus zāgējumus, piemontējiet augšējās slīpuma atdures iekšējā pozīcijā.
4. Ja augšējā slīpuma atdure ir noņemta, to var drošas uzglabāšanas nolūkā zāgēšanas procesa laikā var piestiprināt arī pie papildu atbalsta bīdstieņiem.

6.5 Horizontālā slīpuma leņķa iestatīšana **10**

BRĪDINĀJUMS!

Traumu risks, jo nav nofiksēts grozāmais paliktņis. Ja grozāmais paliktņis nav nofiksēts, tas zāgēšanas laikā var sagriezties, un izraisot apstrādājamā priekšmeta sasvēršanos un atsitienu.

- ▶ Pirms zāgēšanas vienmēr pievelciet grozāmā paliktņa fiksatoru.

Nosacījumi: Standarta slīpuma leņķis

Lai ātri un precīzi iestatītu biežāk izmantojamos horizontālos slīpuma leņķus, horizontālā slīpuma leņķa skalā ir robiņi. Šajos robiņos var nofiksēt grozāmo paliktņi.

Horizontālā slīpuma leņķa fiksācijas pozīcijas

Pa kreisi	Vidus	Pa labi
45°; 31,6°; 22,5°; 15°	0°	15°; 22,5°; 31,6°; 45°; 60°

- ▶ Ja nepieciešams, atskrūvējiet grozāmā paliktņa fiksatoru **(2)**.
- ▶ Pavelciet grozāmā paliktņa atbloķēšanas sviru uz augšu **(1)**, turiet to un pagrieziet grozāmo paliktņi gandrīz līdz nepieciešamajam horizontālajam slīpuma leņķim **(3)**.
- ▶ Atlaidiet grozāmā paliktņa atbloķēšanas sviru un turpiniet griezt grozāmo paliktņi līdz nepieciešamajam horizontālajam slīpuma leņķim, līdz tas nofiksējas.
- ▶ Pievelciet grozāmā paliktņa fiksatoru **(2)**.



Nosacījumi: Brīvi izvēlēts horizontālais slīpuma leņķis

Papildus standarta slīpuma leņķiem horizontālo slīpuma leņķi var iestatīt pēc brīvas izvēles.

- ▶ Ja nepieciešams, atskrūvējiet grozāmā paliktņa fiksatoru **(2)**.
- ▶ Pavelciet grozāmā paliktņa atbloķēšanas sviru **(1)** uz augšu un nofiksējiet to **(4)**.
- ▶ Noregulējiet grozāmo paliktņi nepieciešamajā horizontālajā slīpuma leņķī **(3)**.
- ▶ Pielieciet grozāmā paliktņa fiksatoru **(2)**.

6.6 Vertikālā slīpuma leņķa iestatīšana **11**

BRĪDINĀJUMS!

Traumu risks, ja nav nobloķēta savvērsana. Ja nav nobloķēta vertikālā slīpuma leņķa iestatīšana, zāga galva zāģēšanas laikā var savērties un izraisīt atsitienu.

- ▶ Pēc vertikālā slīpuma leņķa iestatīšanas pārbaudiet, vai nav traucēta zāģa asmens kustība, un pārvirziet atbloķēšanas sviru, lai nobloķētu savvērsanu.

IEVĒROT PIESARDZĪBU!

Traumu risks, ko rada augšējās slīpuma atdures. Ja ir iestatīts vertikālais slīpuma leņķis, var notikt zāģa asmens sadursme ar augšējām slīpuma atdurēm, izraisot bojājumus un atsitienu.

- ▶ Pēc katras vertikālā leņķa iestatīšanas pārbaudiet, vai nav traucēta zāģa asmens kustība, un pārvirziet augšējās slīpuma atdures tik tālu uz ārpusi, cik tas ir nepieciešams.

Lai ātri un precīzi iestatītu biežāk izmantojamās vertikālās slīpuma leņķus, zāģa galvu var nofiksēt vairākās pozīcijās.

Vertikālā slīpuma leņķa fiksācijas pozīcijas

Pa kreisi	Vidus	Pa labi
45°; 33,9°; 22,5°	0°	22,5°; 33,9°; 45°

- ▶ Pavelciet vertikālā slīpuma leņķa iestatījuma atbloķēšanas sviru uz augšu, lai to atbrīvotu **(2)**.
- ▶ Līdz galam pavelciet vertikālo slīpa regulēšanas sviru uz augšu, līdz zāģa galva var brīvi kustēties **(3)**.
- ▶ Atlaidiet atbloķēšanas sviru un sasveriet zāģa galvu, līdz tā nofiksējas.
 - ▶ Zāģa galvu var nofiksēt jebkurā no iepriekš minētajām pozīcijām.
- ▶ Pēc tam līdz galam nospiediet atbloķēšanas sviru uz leju **(1)**, lai nofiksētu zāģa galvu iestatītajā pozīcijā.
- ▶ Ja vēlaties iestatīt brīvi izvēlētu vertikālo slīpuma leņķi, turiet vertikālā slīpuma leņķa iestatījuma atbloķēšanas sviru augšējā pozīcijā **(3)**, līdz ir sasniegts nepieciešamais vertikālais slīpuma leņķis.
- ▶ Pēc tam līdz galam nospiediet atbloķēšanas sviru uz leju **(1)**, lai nofiksētu zāģa galvu iestatītajā pozīcijā.
- ▶ Noregulējiet augšējās slīpuma atdures tā, lai tie nesaskartos ar zāģa asmeni. → Lappuse 150

6.7 Zāģējuma līnijas indikācijas aktivēšana

Zāģis ir aprīkots ar zāģējuma līnijas indikāciju. Zāģa galvā iebūvēta LED izgaismo darba zonu un rada zāģa asmens ēnu, tādējādi precīzi parādot zāģējuma līniju.

1. Iedarbiniet ieslēgšanas / izslēgšanas slēdzi, nospiežot ieslēgšanas bloķētāju.
 - ▶ LED tiek aktivēta.
2. Pārvietojiet zāģa galvu uz leju.
 - ▶ Uz zāģējamā priekšmeta parādās zāģa asmens ēna un norāda zāģējuma līniju.
3. Ja nepieciešams, pielāgojiet zāģējamā priekšmeta novietojumu vai horizontālo un/vai vertikālo slīpuma leņķi zāģējuma līnijai.

6.8 Zāģējamā priekšmeta novietošana un nostiprināšana **12, 13, 14**

BRĪDINĀJUMS!

Traumu risks, ko rada deformēti kokmateriāli. Deformēts un/vai līks zāģējama priekšmets var pagriezties pie zāģa asmens un izraisīt atsitienu.

- ▶ Vienmēr novietojiet deformētus un/vai līkus zāģējamās priekšmetus tā, lai uz āru izliktā puse būtu pāvērstā pret slīpuma atduri. Nekādā gadījumā nenovietojiet zāģējamo priekšmetu tā, ka starp apstrādājamo priekšmetu un slīpuma atdurēm veidojas brīva sprauga.



⚠ BRĪDINĀJUMS!

Traumu risks, ko rada nepareizs zāgējamo priekšmetu novietojums. Nepareizi novietots zāgējams priekšmets var pagriezties pie zāga asmens un izraisīt atsitieni.

- ▶ Vienmēr novietojiet zāgējamo priekšmetu tā, lai tai būtu pēc iespējas lielāka saskares virsma ar grozāmā paliktņā, atbalstiem un slīpuma atdūrēm.

⚠ BRĪDINĀJUMS!

Traumu risks, ko rada nenostiprināti zāgējamie priekšmeti! Ja zāgējamais priekšmets nav nevainojami nostiprināts pie leņķzāga, zāgējamais priekšmets zāgēšanas laikā var nobīdīties un izraisīt varbūtējus zāga asmens bojājumus, kā rezultātā var tikt izsviests zāgējamais priekšmets un zaudēta kontrole.

- ▶ Jebkādu darbību laikā zāgējamajam priekšmetam jābūt ar spīļatbalsta palīdzību stingri nostiprinātām attiecībā pret grozāmo paliktņi un slīpuma atduri.

⚠ BRĪDINĀJUMS!

Traumu risks, zāga daļām saskaroties ar spīļatbalstu! Nonākot saskarē ar spīļatbalstu, zāga asmens var tikt bojāts. Spīļatbalsts var traucēt aizsargierīcēm un ierobežot to funkcijas. Spīļatbalsts var ierobežot zāga galvas kustību un tādējādi izraisīt atsitieni.

- ▶ Kad zāģis ir izslēgts, veiciet sagaidāmās kustības izmēģinājumu. Pārliecinieties, ka neviena zāga daļa nesaskaras ar spīļatbalstu.
- ▶ Ja nepieciešams, pārvietojiet spīļatbalstu citu zāga vietu.
- ▶ Nospiediet spīļatbalsta atbloķēšanas pogu **(2)** un izvelciet vītņstieni līdz galam uz augšu.
- ▶ Iespraudiet spīļatbalstu vienā no tam paredzētajām atverēm **(1)**.
- ▶ Stingri piespiediet zāgējamo priekšmetu pie apakšējās slīpuma atdures.
- ▶ Nospiediet spīļatbalsta atbloķēšanas pogu, lai ātri pielāgotu vītņstieni zāgējamajam priekšmetam **(2)**.
- ▶ Sasveriet spīļatbalstu uz aizmuguri, pretēji vītņstienā novietojumam **(3)**. Pēc tam pievelciet vītņstieni, pagriežot to pulksteņrādītāja kustības virzienā, un tādējādi nostipriniet zāgējamo priekšmetu **(4)**.
 - ▶ Lai atbrīvotu zāgējamo priekšmetu, pagrieziet vītņstieni pretēji pulksteņrādītāja kustības virzienam. Pēc tam nospiediet spīļatbalsta atbloķēšanas pogu un izvelciet vītņstieni līdz galam uz augšu.

6.9 Apgriezienu skaita iestatīšana

- ▶ Iestatiet nepieciešamo apgriezienu skaitu ar iestatīšanas rata palīdzību.

6.10 Ieslēgšana / izslēgšana**⚠ BRĪDINĀJUMS!**

Traumu risks atsitiena rezultātā.

- ▶ Ieslēdziet zāģi tikai tad, kad zāga asmens nepieskaras zāgējamajam priekšmetam.

⚠ BRĪDINĀJUMS!

Traumu risks atsitiena rezultātā.

- ▶ Pēc izslēgšanas ļaujiet zāga galvai palikt zemākajā pozīcijā, līdz ir apstājusies zāga asmens kustība.

1. Nospiediet un turiet nospiestu ieslēgšanas bloķētāju.
2. Nospiediet un turiet nospiestu ieslēgšanas / izslēgšanas slēdzi.
 - ▶ Zāģis darbojas.
3. Lai zāģi izslēgtu, atlaidiet ieslēgšanas / izslēgšanas slēdzi.

6.11 Zāgēšana **⚠ BRĪDINĀJUMS!**

Traumu risks, ko rada nepareizs roku novietojums. Nepareiza novietojuma gadījumā kustībā esošais zāga asmens var saskarties ar rokām un izraisīt smagas traumas.

- ▶ Zāgēšanas laikā nekad nenovietojiet rokas krusteniski. Nekādā gadījumā ar roku nešķērsojiet zāgējuma līniju.
- ▶ Turiet rokas ārpus iezīmētās bīstamās zonas pa labi un pa kreisi no zāga asmens.



Strādājot ar leņķzāģi, pareiza ķermeņa poza un roku novietojums padara zāģēšanu vieglāku, precīzāku un drošāku.

Stingri stāviet ar abām kājām uz grīdas un saglabājiet līdzsvaru. Pārvietojot leņķa sviru pa kreisi un pa labi, sekojiet tai un nostāieties nedaudz uz sāniem no zāģa asmens.

Nodrošiniet, lai bīstamā zona 230 mm (9") pa kreisi un 270 mm (10,4") pa labi no zāģa asmens būtu brīva. Turiet rokas un citas ķermeņa daļas tālāk no šīs bīstamās zonas.

Saglabājiet roku pozīciju, līdz tiek atlaists ieslēgšanas / izslēgšanas slēdzis un pilnībā apstājas zāģa asmens kustība.



Lai veiktu zāģējumu, uzmanīgi un kontrolēti spiediet zāģa galvu uz leju. Pārmērīgs spiediens vai spēks, kas iedarbojas uz zāģējuma līniju no sāniem, var izraisīt zāģa asmens vibrāciju, kas savukārt var radīt papildu zāģēšanas pēdas zāģējamajā priekšmetā un nelabvēlīgi ietekmēt zāģēšanas precizitāti.

6.11.1 Zāģēšana bez stumšanas kustības (garumošana)



BRĪDINĀJUMS!

Traumu risks, ja nav nobloķēts izvelkamais pagarinājums. Ja pagarinājums nav nobloķēts, zāģa galva var negaidīti izslīdēt un izraisīt atsitienu.

► Veicot garumošanas zāģējumus, vienmēr nobloķējiet izvelkamo pagarinājumu.

1. Līdz galam pabīdiet zāģa galvu uz aizmuguri (prom no sevis).
2. Nobloķējiet izvelkamo pagarinājumu. → Lappuse 149
3. Noregulējiet dziļuma atdures plāksni tā, lai zāģa galvas nolaišanas laikā dziļuma atdure izietu cauri atverei. → Lappuse 149
4. Pielāgojiet visus zāģa iestatījumus (leņķi, slīpuma atdures, atbalsta virsmas) atbilstoši veicamā zāģējuma prasībām.
5. Nostipriniet apstrādājamo priekšmetu. → Lappuse 151
6. Izslēdziet zāģi. → Lappuse 152
7. Lēnām virziet zāģa galvu uz leju un pārzāģējiet zāģējamo priekšmetu ar vienmērīgu padevi.
8. Izslēdziet zāģi un nogaidiet, līdz apstājas zāģa asmens kustība.
9. Pārvietojiet zāģa galvu atpakaļ augšējā pozīcijā.

6.11.2 Zāģēšana ar stumšanas kustību



BRĪDINĀJUMS!

Atsitiens nepareizas zāģa galvas kustības dēļ. Nepareiza zāģa galvas kustība ar stumšanu virzītas zāģēšanas laikā var izraisīt atsitienu.

- Pirms zāģēšanas vienmēr pilnībā izvelciet zāģa galvu, pēc tam to nolaidiet un tad pabīdiet to slīpuma atduru virzienā.
- Nekādā gadījumā nevelciet zāģa galvu uz savu pusi, kad zāģa asmens jau atrodas zāģējamajā priekšmetā.



Zāģējot ar stumšanas kustību, uzmanīgi un bez apstāšanās bīdiet zāģa galvu leņķa atdures virzienā. Ja zāģēšanas laikā tiek pārtraukta stumšanas kustība, zāģa asmens atstāj pēdas zāģējamajā priekšmetā un tiek nelabvēlīgi ietekmēta zāģēšanas precizitāte.

1. Ja nepieciešams, atbrīvojiet izvelkamo pagarinājumu. → Lappuse 149
2. Noregulējiet dziļuma atdures plāksni tā, lai zāģa galvas nolaišanas laikā dziļuma atdure izietu cauri atverei. → Lappuse 149
3. Pielāgojiet visus zāģa iestatījumus (leņķi, slīpuma atdures, atbalsta virsmas) atbilstoši veicamā zāģējuma prasībām.
4. Nostipriniet apstrādājamo priekšmetu. → Lappuse 151
5. Līdz galam pavelciet zāģa galvu savā virzienā.
6. Izslēdziet zāģi. → Lappuse 152
7. Lēnām virziet zāģa galvu uz leju.
8. Turiet zāģa galvu zemākajā pozīcijā un lēnām bīdiet to uz aizmuguri (prom no sevis). Pārzāģējiet zāģējamo priekšmetu ar vienmērīgu padevi.
9. Izslēdziet zāģi un nogaidiet, līdz apstājas zāģa asmens kustība.
10. Pārvietojiet zāģa galvu atpakaļ augšējā pozīcijā.



6.11.3 Rievas zāģēšana

1. Noregulējiet dziļuma atduri atbilstoši nepieciešamajam zāģējuma dziļumam. → Lappuse 149
2. Veiciet zāģēšanu ar stumšanas kustību. → Lappuse 153

6.11.4 Profilētu listu zāģēšana

BRĪDINĀJUMS!

Traumu risks, ko rada nepareiza zāģējamo priekšmetu nostiprināšana. Nepareizi nostiprināts zāģējamais priekšmets var pagriezties pie zāģa asmens un izraisīt atsitieni.

- ▶ Novietojot profilēto listi pie slīpuma atdures, pievērsiet īpašu uzmanību tam, lai profilētā liste būtu pietiekami nodrošināta pret izkustēšanos. → Lappuse 151

Profilētās līstes var zāģēt divos dažādos veidos:

- Novietojot pie slīpuma atdures
- Plakaniski uz zāģa galda
- ▶ Atkarībā no profilēto listu platumā veiciet zāģēšanu ar vai bez stumšanas kustības.
- ▶ Vispirms pārbaudiet iestatītos horizontālos un/vai vertikālos slīpuma leņķus, izmantojot kokmateriālu atgriezumus.

7 Apkope un uzturēšana

BRĪDINĀJUMS!

Traumu risks ievietota akumulatora gadījumā !

- ▶ Pirms jebkādiem apkopes un tehniskā stāvokļa uzturēšanas darbiem vienmēr izņemiet akumulatoru!

Izstrādājuma kopšana

- Uzmanīgi notīriet pielīpušos netīrumus.
- Uzmanīgi iztīriet ventilācijas atveres ar sausu, mīkstu birstīti.
- Notīriet korpusa virsmas tikai ar nedaudz samitrinātu drāniņu. Nelietojiet silikonu saturošus kopšanas līdzekļus, jo tie var sabojāt plastmasas daļas.
- Izstrādājuma kontaktu tīrīšanai lietojiet tīru un sausu drāniņu.
- Regulāri notīriet izvelkamā pagarinājuma bīdstieņus un papildu atbalstus. Pēc katras tīrīšanas uzklājiet uz visiem bīdstieņiem dažus pilienus eļļas.
- Regulāri notīriet augšējo slīpuma atduru atbalsta virsmas. Ja nepieciešams, papildus ieeļojiet saskares virsmas.

Litija jonu akumulatoru apkope

- Nekādā gadījumā nelietojiet akumulatoru ar nosprostotām ventilācijas atverēm. Uzmanīgi iztīriet ventilācijas atveres ar sausu, mīkstu birstīti.
- Nepakļaujiet akumulatoru nevajadzīgai putekļu vai netīrumu ietekmei. Nekādā gadījumā nepakļaujiet akumulatoru spēcīgam mitrumam (piemēram, nemērciet to ūdenī un neatstājiet lietū).
Ja akumulators ir samircis, rīkojieties ar to tāpat, kā jūs rīkotos ar bojātu akumulatoru. Ievietojiet to izolētā nedegošā materiāla tvertnē un vērsieties **Hilti** servisā.
- Raugieties, lai akumulators nebūtu savārtīts ar nepiederīgu eļļu un smērvielām. Raugieties, lai uz akumulatora nevajadzīgi neuzkrātos putekļi un netīrumi. Notīriet akumulatoru ar sausu, mīkstu birstīti vai tīru un sausu drāniņu. Nelietojiet silikonu saturošus kopšanas līdzekļus, jo tie var sabojāt plastmasas daļas.
Nepieskarieties akumulatora kontaktiem un neattīriet kontaktus no rūpnīcā uzklātās smērvielas.
- Notīriet korpusa virsmas tikai ar nedaudz samitrinātu drāniņu. Nelietojiet silikonu saturošus kopšanas līdzekļus, jo tie var sabojāt plastmasas daļas.

Uzturēšana

- Regulāri pārbaudiet visas redzamās daļas, lai pārliecinātos, ka tās nav bojātas un funkcionē nevainojami.
- Nelietojiet izstrādājumu, ja tam ir radušies bojājumi un/vai funkciju traucējumi. Nekavējoties nododiet izstrādājumu **Hilti** servisā remonta veikšanai.
- Pēc apkopes un remonta darbiem piemontējiet vietā visas aizsargierīces un pārbaudiet, vai tās darbojas nevainojami.





Lai izstrādājuma lietošana būtu droša, izmantojiet tikai oriģinālās rezerves daļas un patēriņa materiālus. Rezerves daļas, patēriņa materiālus un piederumus, kuru lietošanu kopā ar šo izstrādājumu akceptē Hilti, var atrast **Hilti Store** vai tīmekļvietnē: www.hilti.group

7.1 Aizsargierīces tīrīšana

1. Demontējiet zāga ripu. → Lappuse 149
2. Uzmaniģi iztīriet aizsargierīci ar sausu birstīti.
3. Ar piemērota instrumenta palīdzību iztīriet nogulsņējumus un skaidas no aizsargierīces iekšpusēs.
4. Piemontējiet zāga ripu. → Lappuse 149

7.2 Nosūcēja adaptera un savienojuma šļūtenes tīrīšana **17**

1. Noņemiet putekļu maisiņu vai pievienoto putekļu nosūcēja iesūkšanas šļūteni.
2. Atskrūvējiet savienojuma šļūtenes stiprinājuma skrūvi pie zāga galvas **(1)**.
3. Noņemiet savienojuma šļūteni no zāga galvas **(2)** un nosūcēja adaptera.
4. Iztukšojiet savienojuma šļūteni un iztīriet to ar sausu birstīti.
5. Iztīriet skaidu kanālu pie zāga galvas un sūkšanas adaptera ar sausu birstīti.
6. Uzlieciet savienojuma šļūteni atpakaļ uz nosūcēja adaptera un zāga galvas.
7. Pievelciet savienojuma šļūtenes stiprinājuma skrūvi pie zāga galvas.
8. Piemontējiet atpakaļ vietā putekļu maisiņu vai pievienojiet putekļu nosūcēju. → Lappuse 148

7.3 Putekļu maisiņa iztukšošana **18**

1. Izvelciet putekļu maisiņu no nosūcēja adaptera.
2. Atveriet putekļu maisiņa rāvējslēdzēju un utilizējiet tā saturu pareizā veidā.
3. Aizveriet putekļu maisiņa rāvējslēdzēju.
4. Piemontējiet putekļu maisiņu atpakaļ pie nosūcēja adaptera. → Lappuse 148

7.4 Iestatījumu un indikāciju pārbaude un regulēšana

Leņķzāģis ir rūpīgi iestatīts un noregulēts jau rūpnīcā. Tomēr pēc intensīvas lietošanas vai robustas apiešanās var būt nepieciešams pārbaudīt zāga iestatījumus un indikācijas un vajadzības gadījumā veikt regulēšanu.

Lai pārbaudītu un noregulētu zāģi, ir nepieciešama pieredze un speciāli instrumenti.

Hilti iesaka veikt zāga regulēšanu tikai **Hilti** servisā.



Veicot jebkādas pārbaudes un regulēšanas darbus ar leņķa kalibru, nepieskarieties zāga zobu smailēm. Tas var izraisīt kļūdainu mērījumu. Leņķa kalibram vienmēr jāskrīt ar asmens korpusu.

7.4.1 Vertikālā slīpuma leņķa pārbaude

1. Līdz galam pabīdiet zāga galvu uz aizmuguri (prom no sevis).
2. Noregulējiet dziļuma atdures plāksni tā, lai zāga galvas nolaišanas laikā dziļuma atdure izietu cauri atverei. → Lappuse 149
3. Iestatiet horizontālo slīpuma leņķi 0°.
4. Paspiediet zāga galvu uz leju un iebīdiet transportēšanas drošinātāju, lai nobloķētu zāga galvu.
5. Iestatiet vertikālo slīpuma leņķi 0°.
6. Iestatiet leņķa kalibru uz 90°.
7. Vertikāli novietojiet leņķa kalibru uz zāga galdā un izlīdziniet to vienā līmenī.
8. Pārvietojiet leņķa kalibru pret zāga asmeni.
 - ▶ Leņķa kalibram visā līnijā jāatrodas vienā līmenī ar zāga asmeni.
9. Iestatiet labajā pusē vertikālo slīpuma leņķi 45°.
10. Iestatiet leņķa kalibru uz 45° (vai uz 135°, lai veiktu mērījumu kreisajā pusē).
11. Vertikāli novietojiet leņķa kalibru uz zāga galdā un izlīdziniet to vienā līmenī.
12. Pārvietojiet leņķa kalibru pret zāga asmeni.
 - ▶ Leņķa kalibram visā līnijā jāatrodas vienā līmenī ar zāga asmeni.



13. Atkārtojiet darbības vertikālajam slīpuma leņķim 45° kreisajā pusē.

Rezultāts 1 / 2

Visos trīs mērījumos leņķa kalibrām visā līnijā jāatrodas vienā līmenī ar zāga asmeni.

► Zāģis ir pareizi noregulēts.

Rezultāts 2 / 2

Leņķa kalbrs un zāga asmens vienā vai vairākos mērījumos neatrodas vienā līmenī.

► Vērsieties **Hilti** servisā.

7.4.2 Vertikālā slīpuma leņķa rādītāja regulēšana 19

1. Pārbaudiet vertikālā slīpuma leņķa precizitāti. → Lappuse 155
2. Iestatiet vertikālo slīpuma leņķi 0°.
3. Atskrūvējiet viena vertikālā slīpuma leņķa rādītāja stiprinājuma skrūvi un noregulējiet to tā, lai tas precīzi atbilstu 0° indikācijai.
4. Pievelciet stiprinājuma skrūvi ar roku. Tikmēr turiet rādītāju tieši pie 0° indikācijas.
5. Ja nepieciešams, atkārtojiet darbību, lai noregulētu otru vertikālā slīpuma leņķa rādītāju.
6. Pārbaudiet, vai faktiskais vertikālais slīpuma leņķis un abi rādītāji leņķim 45° labajā pusē un leņķim 45° kreisajā pusē sakrīt.
 - Ja pārbaudes laikā tiek konstatēts, ka rādītājs vienā vai vairākās vietās neatbilst faktiskajam leņķim un to nevar pietiekami noregulēt, vērsieties **Hilti** servisā.

7.4.3 Horizontālā slīpuma leņķa pārbaude

1. Līdz galam pabīdīd zāga galvu uz aizmuguri (prom no sevis).
2. Noregulējiet dziļuma atdures plāksni tā, lai zāga galvas nolaišanas laikā dziļuma atdure izietu cauri atverei. → Lappuse 149
3. Iestatiet vertikālo slīpuma leņķi 0°.
4. Paspiediet zāga galvu uz leju un iebīdīdiet transportēšanas drošinātāju, lai nobloķētu zāga galvu.
5. Iestatiet horizontālo slīpuma leņķi 0°.
6. Iestatiet leņķa kalbru uz 90°.
7. Plakaniski novietojiet leņķa kalbru uz zāga galdā un izlīdziniet to pret slīpuma atduri.
8. Pārvietojiet leņķa kalbru pret zāga asmeni.
 - Leņķa kalibrām visā līnijā jāatrodas vienā līmenī ar zāga asmeni.
9. Iestatiet labajā pusē horizontālo slīpuma leņķi 45°.
10. Iestatiet leņķa kalbru uz 45° (vai uz 135°, lai veiktu mērījumu kreisajā pusē).
11. Plakaniski novietojiet leņķa kalbru uz zāga galdā un izlīdziniet to pret slīpuma atduri.
12. Pārvietojiet leņķa kalbru pret zāga asmeni.
 - Leņķa kalibrām visā līnijā jāatrodas vienā līmenī ar zāga asmeni.
13. Atkārtojiet darbības horizontālajam slīpuma leņķim 45° kreisajā pusē.

Rezultāts 1 / 2

Visos trīs mērījumos leņķa kalibrām visā līnijā jāatrodas vienā līmenī ar zāga asmeni.

► Zāģis ir pareizi noregulēts.

Rezultāts 2 / 2

Leņķa kalbrs un zāga asmens vienā vai vairākos mērījumos neatrodas vienā līmenī.

► Pieregulējiet horizontālo slīpuma leņķi vai vērsieties **Hilti** servisā. → Lappuse 156

7.4.4 Horizontālā slīpuma leņķa un skalas regulēšana 20

1. Nofiksējiet grozāmo paliktni 0° pozīcijā.
2. Atskrūvējiet grozāmā paliktna fiksatoru.
3. Atskrūvējiet horizontālā slīpuma leņķa skalas četras stiprinājuma skrūves.
4. Iestatiet leņķa kalbru uz 90°.
5. Plakaniski novietojiet leņķa kalbru uz zāga galdā un izlīdziniet to pret slīpuma atduri.
6. Pārvietojiet leņķa kalbru pret zāga asmeni. Izmantojot leņķa kalbru, noregulējiet grozāmo paliktni, tostarp horizontālā slīpuma leņķa skalu.
 - Leņķa kalibrām visā līnijā jāatrodas vienā līmenī ar zāga asmeni.
7. Pievelciet grozāmā paliktna fiksatoru, lai novērstu grozāmā paliktna izkustēšanos.
8. Pievelciet horizontālā slīpuma leņķa skalas četras stiprinājuma skrūves.



9. Pārbaudiet horizontālo slīpuma leņķi 45° labajā pusē un 45° kreisajā pusē. → Lappuse 156

Rezultāts 1 / 2

Leņķa kalibrs pie horizontālā slīpuma leņķa 45° labajā pusē un 45° kreisajā pusē visā līnijā atrodas vienā līmenī ar zāga asmeni.

- ▶ Zāģis ir pareizi noregulēts.

Rezultāts 2 / 2

Leņķa kalibrs un zāga asmens vienā vai vairākos mērījumos neatrodas vienā līmenī.

- ▶ Vērsieties **Hilti** servisā.

7.4.5 Horizontālā slīpuma leņķa rādītāja regulēšana **21**

1. Pārbaudiet horizontālā slīpuma leņķa precizitāti. → Lappuse 156
2. Ja nepieciešams, pieregulējiet horizontālo slīpuma leņķi. → Lappuse 156
3. Iestatiet horizontālo slīpuma leņķi 0°.
4. Atskrūvējiet viena horizontālā slīpuma leņķa rādītāja stiprinājuma skrūvi un noregulējiet to tā, lai tas precīzi atbilstu 0° indikācijai.
5. Pievelciet stiprinājuma skrūvi ar roku. Tikmēr turiet rādītāju tieši pie 0° indikācijas.
6. Ja nepieciešams, atkārtojiet darbību, lai noregulētu otru horizontālā slīpuma leņķa rādītāju.
7. Pārbaudiet, vai faktiskais horizontālais slīpuma leņķis un abi rādītāji leņķim 45° labajā pusē un leņķim 45° kreisajā pusē sakrīt.
 - ▶ Ja pārbaudes laikā tiek konstatēts, ka rādītājs vienā vai vairākās vietās neatbilst faktiskajam leņķim un to nevar pietiekami noregulēt, vērsieties **Hilti** servisā.

7.5 Putekļu savācēja nomaiņa **22**

BRĪDINĀJUMS!

Traumu risks nepareizi piemontētu atvirzītāju dēļ. Ja atvirzītājs ir piemontēts nepareizi, var iestrēgt zāga asmens. Atvirzītājs vai zāga asmens var salūzt, un to daļas var tikt aizsviestas.

- ▶ Veicot atvirzītāju montāžu, raugieties, lai tie būtu piemontēti pareizā virzienā. Atsperes noslogotajai atvirzītāja daļai jābūt pavērstai prom no zāga asmens.

1. Atskrūvējiet stiprinājuma skrūves **(3)** vienā pusē un noņemiet atvirzītāju **(1)**.
2. Atskrūvējiet stiprinājuma skrūves pretējā pusē un noņemiet otru atvirzītāju un putekļu savācēju **(2)**.
3. Piemontējiet jaunu putekļu savācēju **(2)** un atvirzītāju **(3)**.
 - ▶ Raugieties, lai atvirzītājs būtu pareizi novietots.
4. Pieskrūvējiet abas daļas ar stiprinājuma skrūvēm.
5. Pieskrūvējiet otru atvirzītāju un putekļu savācēju pretējā pusē.
 - ▶ Raugieties, lai atvirzītājs būtu pareizi novietots.
 - ▶ Pārbaudiet, vai putekļu savācējs un abi atvirzītāji ir droši nostiprināti.

7.6 Rievu plāksņu nomaiņa **23**

Rievu plāksnes rūpnīcā ir iestatītas tā, lai tās nesaskartos ar zāga asmeni. Taču rievu plāksnes ir pakļautas noteiktam nodilumam. **Hilti** piedāvā rievu plāksnes kā rezerves daļu. Lietotājs tās var ātri un vienkārši nomainīt.

1. Atskrūvējiet visas rievu plāksņu stiprinājuma skrūves un utilizējiet nolietotās rievu plāksnes.
2. Ievietojiet jaunas rievu plāksnes.
3. Valīgi pievelciet stiprinājuma skrūves tā, lai rievu plāksnes joprojām varētu izkustināt.
4. Iestatiet rievu plāksņu novietojumu tā, lai zāga asmens ar tām nesaskartos.
 - ▶ Vispirms pārbaudiet maksimālos vertikālos slīpuma leņķus labajā un kreisajā pusē.
 - ▶ Pārbaudiet arī visus citus horizontālos un vertikālos slīpuma leņķus.
5. Kad iestatīšana ir pabeigta, pievelciet visas stiprinājuma skrūves ar roku.

8 Iekārtu un akumulatoru transportēšana un uzglabāšana **24, 25**

Garumošanas leņķzāga transportēšana

Pirms zāga transportēšanas veiciet turpmāk aprakstītās darbības.

- ▶ Līdz galam pabīdīet zāga galvu uz aizmuguri (prom no sevis).



- ▶ Nobloķējiet izvelkamo pagarinājumu. → Lappuse 149
- ▶ Noregulējiet dziļuma atdures plāksni tā, lai zāga galvas nolaišanas laikā dziļuma atdure izietu cauri atverei. → Lappuse 149
- ▶ Iestatiet vertikālo slīpuma leņķi 0°.
- ▶ Paspiediet zāga galvu uz leju un iebīdīet transportēšanas drošinātāju, lai nobloķētu zāga galvu.
- ▶ Ja nepieciešams, līdz galam iebīdīet papildu atbalstus uz iekšpusi. → Lappuse 150
- ▶ Iestatiet horizontālo slīpuma leņķi līdz galam pa labi (60°) un nofiksējiet grozāmo paliktņi.
- ▶ Noņemiet visas aprīkojuma daļas (piemēram, spīļatbalstu), ko nevar stingri piemontēt pie zāga.
- ▶ Ja nepieciešams, demontējiet fiksatoru un iespiediet to vienā no turētājiem augšējās slīpuma atdures aizmugurē.

Pārvietošanas laikā satveriet zāgi tikai šim nolūkam paredzētajās vietās:

- Satveršanas iedobes zem papildu balstiem **(1)**
- Satveršanas iedobe aizmugurējā daļā blakus putekļu nosūkšanai **(2)**
- Rokturis pie zāga galvas **(3)**

Akumulatoru transportēšana

IEVĒROT PIESARDZĪBU!

Nekontrolēta iedarbošanās transportēšanas laikā !

- ▶ Pirms iekārtu transportēšanas vienmēr izņemiet no tām akumulatorus!
- ▶ Izņemiet akumulatoru / akumulatorus.
- ▶ Nekādā gadījumā netransportējiet akumulatorus nenostiprinātā veidā, sabērtus kaudzē. Transportēšanas laikā akumulatori jāsaugā no triecieniem un vibrācijas, kā arī jāizolē no jebkādiem materiāliem, kam piemīt elektriskā vadītspēja, un citiem akumulatoriem, lai nepieļautu to nonākšanu saskarē ar citu bateriju kontaktiem un īssavienojuma rašanos. **Ievērojiet vietējos noteikumus par akumulatoru transportēšanu.**
- ▶ Akumulatorus nedrīkst sūtīt pa pastu. Ja vēlaties nosūtīt nebojātus akumulatorus, vērsieties sūtījumu piegādes uzņēmumā.
- ▶ Pirms katras lietošanas, kā arī pēc ilgākas transportēšanas pārbaudiet, vai izstrādājums un akumulatori nav bojāti.

Uzglabāšana

BRĪDINĀJUMS!

Neparedzami bojājumi bojātu vai izplūdušu akumulatoru dēļ !

- ▶ Pirms iekārtu novietošanas glabāšanā vienmēr izņemiet no tām akumulatorus!
- ▶ Glabājiet izstrādājumu un akumulatorus vēsā un sausā vietā. Ievērojiet temperatūras robežvērtības, kas norādītas tehnisko parametru sadaļā.
- ▶ Neglabājiet akumulatorus uz lādētāja. Pēc uzlādes procesa vienmēr noņemiet akumulatoru no lādētāja.
- ▶ Nekad neglabājiet akumulatorus saulē, uz siltuma avotiem vai aiz stikla.
- ▶ Glabājiet izstrādājumu un akumulatorus tā, lai tiem nevarētu piekļūt bērni un nepiederošas personas.
- ▶ Pirms katras lietošanas, kā arī pēc ilgākas uzglabāšanas pārbaudiet, vai izstrādājums un akumulatori nav bojāti.

9 Traucējumu novēršana

Traucējumu gadījumā ņemiet vērā akumulatora statusa indikāciju. Skat. nodaļu **Litija jonu akumulatora indikācija**.

Ja izstrādājuma darbībā radušies traucējumi, kas nav uzskaitīti šajā tabulā vai ko jums neizdodas novērst saviem spēkiem, lūdzu, meklējiet palīdzību mūsu **Hilti** servisā.

Traucējums	Iespējamais iemesls	Risinājums
Pēkšņi ievērojami samazinās rotācijas ātrums.	Akumulators ir izlādējies. Pārāk liels padeves spēks.	▶ Uzlādējiet akumulatoru. ▶ Samaziniet padeves spēku un vēlreiz ieslēdziet izstrādājumu.
Zāga ripa apstājas.	Pārāk liels padeves spēks.	▶ Samaziniet padeves spēku un vēlreiz ieslēdziet izstrādājumu.
Nedarbojas motora bremzēšana.	Akumulators ir izlādējies.	▶ Uzlādējiet akumulatoru.



Traulcējums	Iespējamais iemesls	Risinājums
Zāģējuma leņķis nav precīzs.	Izmainīts leņķa precizitātes, skalas vai rādītāju iestatījums.	<ul style="list-style-type: none"> ► Pārbaudiet un pieregulējiet iestatījumus un indikācijas. → Lappuse 155 ► Ja jūs nevarat pieregulēt kādu iestatījumu saviem spēkiem vai zāģa precizitātes novirze ir pārāk liela, vērsieties Hilti servisā.
Akumulatora LED indikācijas nav.	Akumulators ir bojāts	► Vērsieties Hilti servisā.

10 Nokalpojušo iekārtu utilizācija

BRĪDINĀJUMS!

Traumu risks neatbilstīgas utilizācijas gadījumā! Veselības apdraudējums, izplūstot kaitīgām gāzēm un šķidrumiem.

- Bojātus akumulatorus nav atļauts nosūtīt!
- Lai nepieļautu īssavienojumus, nosedziet pieslēguma kontaktus ar materiālu, kam nepiemīt elektriskā vadītspēja.
- Utilizējiet akumulatorus tā, lai tiem nevarētu piekļūt bērni.
- Nododiet akumulatoru utilizācijai jūs apkalpojošajā **Hilti Store** vai vērsieties pie kompetentā atkritumu apsaimniekošanas uzņēmuma.

Hilti izstrādājumu izgatavošanā tiek izmantoti galvenokārt otrreiz pārstrādājami materiāli. Priekšnosacījums otrreizējai pārstrādei ir atbilstoša materiālu šķirošana. Daudzās valstīs **Hilti** pieņem nolietotās iekārtas otrreizējai pārstrādei. Lai saņemtu vairāk informācijas, vērsieties **Hilti** servisā vai pie sava pārdošanas konsultanta.



- Neizmetiet elektroiekārtas, elektroniskas ierīces un akumulatorus sadzīves atkritumos!

11 Ražotāja garantija

- Ar jautājumiem par garantijas nosacījumiem, lūdzu, vērsieties pie vietējā **Hilti** partnera.

12 Papildinformācija

Papildinformācija par lietošanu, tehniku, vides aizsardzību un materiālu otrreizējo pārstrādi ir pieejama, izmantojot šādu saiti: qr.hilti.com/manual/?id=2395172&id=2395174

Šī saite kvadrātkoda koda veidā ir iekļauta arī lietošanas instrukcijas beigās.

Originali naudojimo instrukcija

1 Informacija apie naudojimo instrukciją

1.1 Apie šią naudojimo instrukciją

- **Įspėjimas!** Prieš pradėdami naudoti prietaisą įsitikinkite, kad perskaitėte ir supratote prie prietaiso pridėdamą naudojimo instrukciją, įskaitant instrukcijas, saugos ir įspėjamuosius nurodymus, paveikslėlius ir specifikacijas. Svarbiausia susipažinkite su visomis instrukcijomis, saugos ir įspėjamaisiais nurodymais, paveikslėliais, specifikacijomis be sudėtinėmis dalimis ir funkcijomis. Nesilaikant šio reikalavimo, kyla elektros smūgio, gaisro ir (arba) sunkių sužalojimų pavojus. Vėlesniam naudojimui išsaugokite naudojimo instrukciją, įskaitant visas instrukcijas, saugos ir įspėjamuosius nurodymus.
- Pridėdama naudojimo instrukcija atitinka naujausią technikos lygį spausdinimo momentu. Naujausią versiją visada rasite internetu „Hilti“ prietaisų puslapyje. Sekite nuorodą arba QR kodą šioje naudojimo instrukcijoje, pažymėtą simboliu .
- Kitiems asmenims prietaisą perduokite tik kartu su šia naudojimo instrukcija.



1.2 Ženklių paaiškinimas

1.2.1 Įspėjantieji nurodymai

Įspėjantieji nurodymai įspėja apie pavojus, gresiančius eksploatuojant prietaisą. Naudojami šie signaliniai žodžiai:

PAVOJUS

PAVOJUS !

- Šis žodis vartojamas norint įspėti apie tiesiogiai gresiantį pavojų, kurio pasekmės yra sunkūs kūno sužalojimai arba žūtis.

ĮSPĖJIMAS

ĮSPĖJIMAS !

- Šis žodis vartojamas norint įspėti apie galimai gresiantį pavojų, kurio pasekmės gali būti sunkūs kūno sužalojimai arba žūtis.

ATSARGIAI

ATSARGIAI !

- Šis žodis vartojamas potencialiai pavojingai situacijai žymėti, kai yra kūno sužalojimo arba materialinių nuostolių grėsmė.

1.2.2 Naudojimo instrukcijoje naudojami simboliai

Šioje naudojimo instrukcijoje naudojami tokie simboliai:

	Laikykitės naudojimo instrukcijos
	Naudojimo nurodymai ir kita naudinga informacija
	Rodo, kad juo paženklintą medžiagą galima perdirbti
	Elektrinių prietaisų ir akumuliatorių nemesti į buitines atliekas
	Hilti ličio jonų akumulatorius
	Hilti Kroviklis

1.2.3 Simboliai iliustracijose

Iliustracijose naudojami šie simboliai:

	Šis skaitmenys nurodo atitinkamą paveikslėlį šios naudojimo instrukcijos pradžioje.
	Numeracija paveikslėliuose nurodo svarbius darbinis veiksmus arba darbiniams veiksams svarbias konstrukcines dalis. Tekste šie darbiniai veiksmai arba konstrukcinės dalys išskirtos atitinkamais numeriais, pvz., (3) .
	pozicijų numeriai naudojami paveikslėlyje Apžvalga – jie nurodo skyrelyje Prietaiso vaizdas esančių paaiškinimų numerius.
	Šiuo ženklu siekiama atkreipti ypatingą dėmesį į naudojamą šiuo prietaisu.

1.3 Specifiniai prietaiso simboliai

1.3.1 Bendrieji simboliai

Simboliai, kurie naudojami kartu su prietaisu.

	Prietaisas palaiko NFC technologiją, suderinamą su „iOS“ ir „Android“ platformomis.
	Nuolatinė srovė



n_0	Nominalusis tuščiosios eigos sukimosi greitis
\emptyset	Skersmuo
	Pjovimo disko matmenys
	Nežiūrėti į šviesos šaltinį.
Li-Ion	Ličio jonų akumuliatorius
	Naudodami kokį nors daiktą, niekada nesmūgiuokite į akumuliatorių ir akumuliatoriaus niekada nenaudokite vietoje plaktuko.
	Saugokite, kad akumuliatorius nenukristų. Nenaudokite akumuliatoriaus, kuris buvo sutrenktas arba kaip nors kitaip pažeistas.

1.3.2 Draudžiamieji ženklai

Draudžiamieji ženklai nurodo draudžiamus veiksmus.

	Pavojingoji zona! Plaštakas, pirštus ir rankas laikykite toliau nuo šios zonos.
--	---

1.3.3 Įpareigojamieji ženklai

Įpareigojantys ženklai nurodo privalomus veiksmus.

	Naudoti ausų apsaugos priemones
	Naudoti akių apsaugos priemonę

1.4 Informacija apie prietaisą

HILTI gaminiai yra skirti profesionalams, todėl juos naudoti, techniškai prižiūrėti ir remontuoti leidžiama tik įgaliotam instruktui personalui. Šis personalas turi būti supažindintas su visais galimais pavojais. Neapmokyto personalo, netinkamai arba ne pagal paskirtį naudojamas prietaisas ir jo reikmenys gali kelti pavojų.

Tipas ir serijos numeris yra nurodyti firminėje duomenų lentelėje.

- Serijos numerį perkelkite į toliau nurodytą lentelę. Kreipdamiesi su prietaisu susijusiais klausimais į mūsų atstovybę ar techninės priežiūros centrą, visada nurodykite šiuos prietaiso duomenis.

Prietaiso duomenys

Akumuliatorinės skersinio pjovimo staklės	SM 60-22
Karta	01
Serijos Nr.	

1.5 Atitikties deklaracija

Gamintojas prisiimdamas visą atsakomybę pareiškia, kad čia aprašytas prietaisas atitinka galiojančių įstatymų ir standartų reikalavimus. Atitikties deklaracijos kopiją rasite šios instrukcijos gale.

Techninė dokumentacija saugoma čia:

Hilti Entwicklungsgesellschaft mbH | Zulassung Geräte | Hiltistraße 6 | 86916 Kaufering, DE

2 Sauga

2.1 Bendrieji saugos nurodymai dirbantiems su elektriniais įrankiais

⚠️ [ISPĖJIMAS Perskaitykite visus ant šio elektrinio įrankio esančius saugos nurodymus, instrukcijas, paveikslėlius ir techninius duomenis. Šių nurodymų nesilaikymas gali tapti elektros smūgio, gaisro ir / arba sunkių sužalojimų priežastimi.

Išsaugokite visus saugos nurodymus ir instrukcijas, kad galėtumėte į juos pažvelgti ateityje.



Saugos nurodymuose vartojama sąvoka „elektrinis įrankis“ apibrėžiami iš elektros tinklo maitinami elektriniai įrankiai (turintys maitinimo kabelį) ir iš akumuliatoriaus maitinami elektriniai įrankiai (be maitinimo kabelio).

Sauga darbo vietoje

- ▶ **Pasirūpinkite, kad darbo vieta visada būtų švari ir gerai apšviesta.** Netvarkinga ar blogai apšviesta darbo vieta gali tapti nelaimingų atsitikimų priežastimi.
- ▶ **Nenaudokite elektrinio įrankio sprogoje aplinkoje, kurioje yra degių skysčių, dujų arba dulkių.** Veikiantys elektriniai įrankiai kibirkščiuoja, ir kibirkštys gali uždegti dulkes arba susikaupusius garus.
- ▶ **Dirbdami su elektriniu įrankiu, neleiskite darbo zonoje būti vaikams ir pašaliniais asmenims.** Atitraukę dėmesį nuo darbo, galite nebesuvaldyti prietaiso.

Apsauga nuo elektros

- ▶ **Prietaiso maitinimo kabelio kištukas turi atitikti elektros lizdo tipą.** Kištuko jokių būdu negalima keisti. **Nenaudokite tarpinių kištukų kartu su elektriniais įrankiais, turinčiais apsauginį įžeminimą.** Nepakeisti kištukai ir tinkami elektros lizdai mažina elektros smūgio riziką.
- ▶ **Venkite kūno kontakto su įžemintais paviršiais, pvz., vamzdžiais, šildytuvais, viryklėmis ir šaldytuvais.** Kai žmogaus kūnas yra įžemintas, padidėja elektros smūgio tikimybė.
- ▶ **Elektrinius įrankius saugokite nuo lietaus ir drėgmės.** Į elektrinį įrankį patekus vandens, padidėja elektros smūgio rizika.
- ▶ **Nenaudokite elektros maitinimo kabelio ne pagal paskirtį, t. y. neneškite elektrinio įrankio paėmę už kabelio, nekabinkite jo ant kabelio, netraukite už kabelio, norėdami ištraukti kištuką iš elektros lizdo.** Elektros maitinimo kabelį saugokite nuo karščio, alyvos, aštrių briaunų ar judančių dalių. Pažeisti arba susipynę elektros maitinimo kabeliai didina elektros smūgio riziką.
- ▶ **Jei su elektriniu įrankiu dirbate lauke, naudokite tik tokius ilginimo kabelius, kurie tinka ir lauko darbams.** Naudojant lauko darbams tinkančius ilginimo kabelius, mažėja elektros smūgio rizika.
- ▶ **Jeigu elektrinio įrankio naudojimo drėgnoje aplinkoje negalima išvengti, į elektros tinklą jįjunkite per apsauginę nuotėkio relę.** Apsauginė nuotėkio relė mažina elektros smūgio riziką.

Žmonių sauga

- ▶ **Dirbdami su elektriniu įrankiu, būkite atidūs, sutelkite dėmesį į darbą ir vadovaukitės sveika nuovoka.** Elektrinio įrankio nenaudokite, jeigu esate pavargę arba apsvaigę nuo narkotinių medžiagų, alkoholio ar vaistų. Neatidumo akimirka dirbant su elektriniu įrankiu gali tapti rimtų sužalojimų priežastimi.
- ▶ **Naudokite asmenines apsaugos priemones ir visuomet užsidėkite apsauginius akinius.** Naudojant asmenines apsaugos priemones, pvz., respiratorių, neslystančius apsauginius batus, apsauginį šalną, ausines ir kt., priklausomai nuo elektrinio įrankio tipo ir naudojimo, mažėja rizika susižaloti.
- ▶ **Saugokitės, kad neįjungtumėte prietaiso atsitiktinai.** Prieš prijungdami prie elektros maitinimo tinklo, įdėdami akumuliatorių, imdami į rankas ar nešdami, įsitikinkite, kad elektrinis įrankis yra išjungtas. Jeigu nešdami elektrinį įrankį pirštą laikysite ant jungiklio arba įrankį įjungsite į elektros tinklą tuomet, kai jungiklis nėra išjungtas, gali įvykti nelaimingas atsitikimas.
- ▶ **Prieš įjungdami elektrinį įrankį, pašalinkite iš jo reguliavimo įrankius ar veržlinius raktus.** Besisukančioje prietaiso dalyje esantis įrankis ar paliktas raktas gali tapti sužalojimų priežastimi.
- ▶ **Venkite nepatogių kūno padėčių.** Dirbdami stovėkite tvirtai ir visada išlaikykite kūno pusiausvyrą. Taip galėsite geriau kontroliuoti elektrinį įrankį netikėtose situacijose.
- ▶ **Vilkėkite tinkamą aprangą. Nevilkėkite plačių drabužių, nesidėkite papuošalų.** Saugokite plaukus, drabužius ir pirštines nuo besisukančių prietaiso dalių. Laisvus drabužius, papuošalus ir ilgus plaukus gali įtraukti besisukančios prietaiso dalys.
- ▶ **Jeį yra numatyta galimybė prijungti dulkių nusiurbimo ar surinkimo įrenginius, visada įsitikinkite, kad jie yra prijungti ir tinkamai naudojami.** Naudojant dulkių nusiurbimo įrenginį, gali sumažėti dulkių keliama grėsmė.
- ▶ **Neturėkite iliuzijų, kad visada esate saugūs, ir, skaitydami naudojimo instrukcijas, nepraleiskite skyrelių apie saugų darbą su elektriniais įrankiais, net jeigu per ilgus naudojimo metus esate su savo elektriniu įrankiu susipažinę.** Neatsargus veiksmas per sekundės dalį gali tapti sunkių sužalojimų priežastimi.

Elektrinio įrankio naudojimas ir elgesys su juo

- ▶ **Prietaiso neperkraukite.** Naudokite Jūsų darbui tinkamą elektrinį įrankį. Su tinkamu elektriniu įrankiu dirbsite geriau ir saugiau, jei neviršysite nurodytos galios.
- ▶ **Nenaudokite elektrinio įrankio su sugedusiu jungikliu.** Elektrinis įrankis, kurio nebegalima įjungti ar išjungti, yra pavojingas ir jį reikia remontuoti.
- ▶ **Prieš prietaisą nustatydami, keisdami reikmenis ar tiesiog padėdami į šalį, visuomet ištraukite maitinimo kabelio kištuką iš elektros lizdo ir / arba iš prietaiso išimkite akumuliatorių.** Ši atsargumo priemonė leis išvengti netikėto elektrinio įrankio įsijungimo.



- ▶ **Nenaudojamus elektrinius įrankius saugokite vaikams nepasiekiamoje vietoje. Neleiskite prietaisui naudotis asmenims, kurie nėra su juo susipažinę arba nėra perskaitę šios instrukcijos.** Elektriniai įrankiai yra pavojingi, kai juos naudoja patirties neturintys asmenys.
- ▶ **Elektrinius įrankius ir reikmenis rūpestingai prižiūrėkite.** Tikrinkite, ar judančio elektrinio įrankio dalys tinkamai funkcionuoja ir niekur nekliūva, ar nėra sulūžusių ir pažeistų dalių, kurios blogintų įrankio veikimą. Prieš naudojimą pažeistos prietaiso dalys turi būti suremontuotos. Blogai prižiūrimi elektriniai įrankiai yra daugelio nelaimingų atsitikimų priežastis.
- ▶ **Pjovimo įrankiai visuomet turi būti aštrūs ir švarūs.** Rūpestingai prižiūrėti pjovimo įrankiai su aštriomis pjovimo briaunomis mažiau stringa ir yra lengviau valdomi.
- ▶ **Elektrinį įrankį, reikmenis, keičiamuosius įrankius ir t. t. naudokite pagal šias instrukcijas. Taip pat atsižvelkite į darbo sąlygas ar atliekamo darbo pobūdį.** Elektrinius įrankius naudojant ne pagal paskirtį, gali kilti pavojingos situacijos.
- ▶ **Prižiūrėkite rankenas, kad jos ir jų laikymo paviršiai visada būtų sausi, švarūs ir neriebaluoti.** Slidžios rankenos ir jų laikymo paviršiai negali užtikrinti elektrinio įrankio saugaus naudojimo ir valdymo kontrolės nenumatytose situacijose.

Akumulatorinio įrankio naudojimas ir elgesys su juo

- ▶ **Akumuliatoriams įkrauti naudokite tik tuos kroviklius, kuriuos rekomenduoja gamintojas.** Kroviklį, tinkantį tik nurodytiems akumuliatorių tipams, naudojant kitiems akumuliatoriams įkrauti, kyla gaisro pavojus.
- ▶ **Elektriniuose įrankiuose naudokite tik konkrečiai jiems skirtus akumulatorius.** Naudojant kitokius akumulatorius, kyla pavojus susižaloti ir sukelti gaisrą.
- ▶ **Nenaudojamo akumulatoriaus nelaikykite šalia sąvaržėlių, monetų, raktų, vinių, varžtų ar kitokių smulkių metalinių daiktų, kurie galėtų trumpai sujungti akumulatoriaus kontaktus.** Trumpai sujungus akumulatoriaus kontaktus, yra pavojus nusideginti ar sukelti gaisrą.
- ▶ **Netinkamai naudojant akumuliatorių, iš jo gali ištėkėti skystis. Venkite kontakto su šiuo skysčiu.** Jei skysčio atsitiktinai pateko ant odos, nuplaukite ją vandeniu, jei pateko į akis - gerai praplaukite jas vandeniu ir nedelsdami kreipkitės į gydytoją. Akumulatoriaus skystis gali sudirginti arba chemiškai nudeginti odą.
- ▶ **Nenaudokite pažeisto arba perdirbto akumulatoriaus.** Pažeisti arba perdirbti akumulatoriai gali funkcionuoti nenumatyti, todėl gali kelti gaisro, sprogimo ar sužalojimų pavojų.
- ▶ **Akumuliatorių saugokite nuo ugnies ir per aukštos temperatūros.** Ugnies arba didesnės kaip 130 °C (265 °F) temperatūros veikiamas akumuliatorius gali sprogti.
- ▶ **Laikykites visų įkrovimo instrukcijų ir akumuliatorių arba akumulatorinį įrankį visada įkraukite tik eksploataavimo instrukcijoje nurodytame temperatūrų diapazone.** Netinkamas įkrovimas arba įkrovimas už leistino temperatūrų diapazono ribų gali sugadinti akumuliatorių ir padidinti gaisro pavojų.

Techninė priežiūra

- ▶ **Savo elektrinį įrankį patikėkite remontuoti tik kvalifikuotam specialistui, tam jis turi naudoti tik originalias atsargines dalis.** Taip galima užtikrinti, kad bus išlaikytas prietaiso naudojimo saugumas.
- ▶ **Niekada nevykdysite pažeistų akumuliatorių techninės priežiūros.** Bet kokią akumuliatorių techninę priežiūrą leidžiama vykdyti tik gamintojui arba įgaliotoms klientų aptarnavimo įmonėms.

2.2 Saugos nurodymai dirbantiems su skersinio pjovimo staklėmis

- ▶ **Skersinio pjovimo staklės yra skirtos medienai ir medienos gaminiams pjauti, jų negalima naudoti metalo gaminiams, pvz., virbams, strypams, varžtams pjauti.** Dėl abrazyvinių dulkių gali būti užblokuotos judančios dalys, pvz., apatinis apsauginis gaubtas. Pjovimo metu susidarantis kibirkštys degina apatinį gaubtą, įdedamąją plokštelę ir kitas plastikines dalis.
- ▶ **Jei galima, ruošinį pagal užfiksuokite veržtuvais. Jei ruošinį laikote ranka, ją visada laikykite bent 100 mm (4 in) nuo kiekvienos pjovimo disko. Nenaudokite šių pjovimo staklių detalėms pjauti, kurios yra per mažos, kad jas būtų galima priveržti arba laikyti ranka.** Jei ranką laikysite per arti pjovimo disko, kyla didesnis pavojus susižaloti dėl sąlyčio su pjovimo disku.
- ▶ **Ruošinyje turi nejudėti ir būti arba priveržtas, arba prispaustas prie atramos ir stalo. Ruošinio nestumkite link pjovimo disko ir niekada nepjunkite „laisvomis rankomis“.** Palaidi arba judantys ruošiniai gali būti išsviedžiami dideliu greičiu ir gali sužaloti.
- ▶ **Pjovimo stakles stumkite per ruošinį. Venkite pjovimo stakles traukti per ruošinį. Norėdami pjauti, pakelkite pjovimo galvutę ir traukite ją virš ruošinio nepjudami. Tada išjunkite variklį, nulenkite žemyn pjovimo galvutę ir spauskite pjovimo stakles per ruošinį.** Jei pjovimo metu traukiama, kyla pavojus, kad pjovimo diskas pakils ant ruošinio ir pjovimo disko mazgas su jėga bus sviedžiamas link operatoriaus.



- ▶ **Niekada nelaikykite rankos skersai numatomos pjovimo linijos – nei priešais, nei už pjovimo disko.** Laikyti ruošinį „sukryžiuotomis rankomis“, t. y. laikyti ruošinį kairiaja ranka dešinėje šalia pjovimo disko arba atvirkščiai, yra labai pavojinga.
- ▶ **Kai pjovimo diskas sukasi, neikiškite rankos už atramos.** Saugus atstumas tarp rankos ir besisukančio pjovimo disko visada turi būti ne mažesnis kaip 100 mm (4 in) (galioja abejuose pjovimo disko pusėse, pvz., pašalinant medienos atliekas). Besisukančio pjovimo disko atstumą iki savo rankos gali būti sunku įvertinti ir dėl to galite sunkiai susižaloti.
- ▶ **Prieš pjaudami patikrinkite ruošinį.** Jei ruošinys yra sulenktas arba susisukęs, prispauskite jį prie atramos į išorę išlenkta puse. Visada įsitikinkite, kad išilgai pjovimo linijos nėra jokio tarpo tarp ruošinio, atramos ir stalo. Išlenkti arba susisukę ruošiniai gali pasisukti arba pasislinkti, todėl pjovimo metu gali būti detalės gali pasisukti ar pasislinkti, todėl pjovimo metu besisukantis pjovimo diskas gali būti užstrigti. Ruošinyje turi nebūti vinių arba svetimkūnių.
- ▶ **Pjovimo stakles naudokite tik tada, kai ant stalo nėra įrankių, medienos atliekų ir t. t.; ant stalo turi būti tik ruošinys.** Mažos atliekos, palaidi medienos gabaliukai arba kiti daiktai, kurie liečiasi su besisukančiu disku, gali būti išsviedžiami dideliu greičiu.
- ▶ **Vienu metu pjaukite tik vieną ruošinį.** Kelių vienas ant kito sukrautų ruošinių negalima tinkamai priveržti arba laikyti, ir pjovimo metu diskas gali juose užstrigti arba ruošiniai gali nuslysti.
- ▶ **Pasirūpinkite, kad prieš naudojimą skersinio pjovimo staklės stovėtų ant lygaus, tvirto darbinio paviršiaus.** Lygus ir tvirtas darbinis paviršius sumažina pavojų, kad skersinio pjovimo staklės taps nestabilios.
- ▶ **Suplanuokite savo darbą.** Kiekvieną kartą keisdami pjovimo disko posvirį arba posvyrio kampą atkreipkite dėmesį, kad atrama būtų tinkamai nustatyta ir laikytų ruošinį, nesiliesdama su disku arba apsauginiu gaubtu. Neįjungdami mašinos ir nedėdami ruošinio ant stalo imituokite visą pjovimo disko pjovimo judesį, kad įsitikintumėte, jog niekas netrukdo arba nėra pavojaus perpjauti atramos.
- ▶ **Jei ruošiniai yra platesni arba ilgesni nei stalo viršutinė pusė, juos tinkamai atremkite, pvz., naudodami stalo ilginamąsias dalis arba pjovimo ožius.** Ruošiniai, kurie yra ilgesni arba platesni nei skersinio pjovimo staklių stalas, gali apvirsti, jei nėra tvirtai atremti. Jei nupjauta medienos dalis arba ruošinys apvirsta, dėl to gali pakelti apatinis apsauginis diskas arba gali būti nekontroliuojami išsviedžiami besisukančio disko.
- ▶ **Nenaudokite kito asmens vietoj stalo ilginamųjų dalių arba papildomos atramos.** Dėl nestabilių atremto ruošinio gali užstrigti diskas. Pjovimo metu taip pat gali pasislinkti ruošinys ir įtraukti jus ir pagalbinių į besisukančių diską.
- ▶ **Nupjauta dalis neturi būti spaudžiama prie besisukančio disko.** Jei yra mažai vietos, pvz., naudojant išilgines atramas, nupjauta dalis gali įsisprausti kaip pleištas prie disko ir būti išsviedžiama su jėga.
- ▶ **Visada naudokite veržtuvą arba tinkamą įtaisą, kad tinkamai pritvirtintumėte apvalaus skerspjuvio medžiagas, pvz., strypus arba vamzdžius.** Pjovimo metu strypai gali nuriedėti, dėl ko diskas „išsikabina“ ir ruošinį su jūsų ranka gali įtraukti į diską.
- ▶ **Prieš pradėdami pjauti ruošinį leiskite diskui pasiekti visą sukimosi greitį.** Tai sumažina pavojų, kad ruošinys bus nusviestas į šalį.
- ▶ **Jei ruošinys užstringa arba diskas užblokuojamas, išjunkite skersinio pjovimo stakles. Palaukite, kol visos judančios dalys sustos, ištraukite maitinimo kištuką ir (arba) išimkite akumuliatorių. Po to pašalinkite įstrigusią medžiagą.** Jo tokio blokavimo atveju pjaunate toliau, gali nesuvaldyti arba pažeisti skersinio pjovimo stakles.
- ▶ **Baigę pjūvį atleiskite jungiklį, pjovimo galvutę laikykite apačioje ir palaukite, kol diskas baigs sukintis, kad galėtumėte išimti nupjautą dalį.** Labai pavojinga kišti ranką artyn prie judančio disko.
- ▶ **Tvirtai laikykite rankeną, jei atliekate nevisišką pjūvį arba jei atleidžiate jungiklį, kai pjovimo galvutė dar nepasiekė savo apatinės padėties.** Dėl pjovimo staklių stabdymo pjovimo galvutė gali būti staigiai patraukiama žemyn ir dėl to kyla sužalojimo pavojus.

2.3 Papildomi saugos nurodymai

- ▶ Prietaisą ir priedus naudokite tik tada, kai jie yra techniškai tvarkingi.
- ▶ Prietaisą ir priedus draudžiama keisti ar atlikti kitokius jų pakeitimus.
- ▶ Sužalojimo pavojus dėl žemyn krentančių įrankių ir (arba) priedų. Prieš pradėdami dirbti patikrinkite, ar akumuliatorius ir sumontuoti priedai yra patikimai pritvirtinti.



- ▶ Šlifuojant, pjaustant ir gręžiant kylančiose dulkėse gali būti pavojingų cheminių medžiagų. Štai keli pavyzdžiai: švinas ar dažai švino pagrindu, plytos, betonas ir kiti mūro statiniai, natūralus akmuo ir kiti gaminiai, kurių sudėtyje yra silikato, tam tikra mediena, ažuolas, bukas ir chemiškai apdorota mediena, asbestas arba medžiagos, kurių sudėtyje yra asbesto. Naudodamiesi medžiagų, su kuriomis dirbama, pavojingumo klase, nustatykite poveikį dirbančiajam ir aplink esantiems asmenims. Imkitės būtinų priemonių, užtikrinančių, kad poveikis liktų saugiam lygmenyje, pvz., naudokite dulkių surinkimo sistemą arba dėvėkite tinkamas kvėpavimo apsaugos priemones. Prie bendrųjų priemonių, skirtų poveikiui sumažinti, priskiriama:
 - ▶ darbas gerai vėdinamoje srityje,
 - ▶ ilgesnio kontakto su dulėmis vengimas,
 - ▶ dulkių nuvedimas nuo veido ir kūno,
 - ▶ apsauginių drabužių dėvėjimas ir užterštų vietų nuplovimas vandeniu ir muilu.
- ▶ Dirbdami su prietaisu, dėvėkite apsauginius akinius, apsauginį šalną, klausos apsaugos priemonę ir tinkamą kvėpavimo takų apsaugos priemonę.
- ▶ Dažnai darykite pertraukas ir pratimus, užtikrinančius geresnę Jūsų pirštų kraujotaką. Dirbant ilgesnį laiką, vibracijos gali sukelti pirštų, plaštakos ar riešo sąnario kraujagyslių ar nervų sistemos pažeidimus.
- ▶ Užtikrinkite, kad vėdinimo plyšiai visada būtų atviri. Nudėgimo pavojus dėl uždengtų vėdinimo plyšių!
- ▶ Nepaleiskite rankenos, jei pjovimo galvutė yra nulenкта žemyn. Kontroliuodami grąžinkite pjovimo galvutę į viršutinę padėtį. Jei pjovimo galvutė juda nekontroliuojama, gali kilti sužalojimo pavojus.
- ▶ Nenaudokite atšipusių, įtrūkusių, deformuotų arba pažeistų pjovimo diskų. Dėl pjovimo diskų, kurių dantys atšipę arba netinkami, sumažėja pjovimo plyšys ir padidėja trintis, pjovimo diskas gali pradėti strigti ir atsiranda atatrakos jėga.
- ▶ Niekada neišimkite pjovimo liukučių, medžio puvenų arba pan. iš pjovimo zonos, kai pjovimo staklės veikia. Pirmiausia išjunkite pjovimo stakles ir pjovimo galvutę grąžinkite į viršutinę padėtį.
- ▶ Naudokite tik su prietaisu leistinus naudoti pjovimo diskus, kurie atitinka techniniuose duomenyse ir (arba) ant prietaiso pateiktus duomenis (pvz., skersmenį, sukimosi greitį, storį, tvirtinimo angą, medžiagą ir t. t.) ir yra patikrinti ir paženklinėti pagal standartą EN 847-1.
- ▶ Naudokite pjovimo diskus, kurių leistinas sukimosi greitis yra ne mažesnis, nei ant prietaiso nurodytas didžiausias sukimosi greitis.
- ▶ Po darbo nelieskite pjovimo disko, kol jis neatvėso. Dirbant pjovimo diskas labai įkaista.
- ▶ Keisdami pjovimo diską mūvėkite apsaugines pirštines.
- ▶ Prieš kiekvieną naudojimą patikrinkite, ar sklandžiai užsidaro apsauginis gaubtas. Pjovimo galvutę nuleiskite žemyn ir kontroliuodami grąžinkite į viršutinę padėtį. Nenaudokite pjovimo staklių, jei apsauginis gaubtas yra nepaslankus ir neužsidaro iškart, kai pjovimo galvutė pakeliama. Niekada neužblokuokite ir neužfiksuokite apatinio apsauginio gaubto, kai jis yra atidarytas.
- ▶ Niekada nenaudokite prietaiso be apsauginio gaubto.
- ▶ Pjaudami aliumininius profilius įrankiui visada leiskite veikti mažiausiu greičiu.
- ▶ Visada naudokite ir fiksukite prie prietaiso pritvirtintas papildomas atramas.
- ▶ Transportuodami prietaisą laikykite tik už tam skirtų vietų (išėmų ir transportavimo rankenos). Elektrinio įrankio niekada neneškite už kreipiamosios alkūnės arba rankenos. → psl. 182
- ▶ Saugokite, kad neperkaistų pjovimo disko dantų viršūnės. Pjaunant plastikus, reikia vengti šių medžiagų lydymosi.

2.4 Su akumulatoriais elgtis atsargiai

- ▶ **Laikykites žemiau pateiktą saugaus naudojimo ir darbo su ličio jonų akumulatoriais saugus nuorodų.** Nesilaikant šių nurodymų, galimas odos sudirginimas, sunkūs sužalojimai dėl ėsdinančio poveikio, cheminiai nudegimai, gaisro ir / arba sprogo pavojus.
- ▶ Akumulatorius naudokite tik nepriekaištingos techninės būklės.
- ▶ Kad išvengtumėte akumulatoriaus pažeidimų ir sveikatai labai kenksmingų skysčių ištekėjimo, su akumulatoriumi elkitės labai atsargiai!
- ▶ Akumulatorius draudžiama modifikuoti ar kaip nors kitaip jais manipuluoti!
- ▶ Akumulatoriaus draudžiama ardyti, spausti, kaitinti iki aukštesnės kaip 80 °C (176 °F) temperatūros arba deginti.
- ▶ Nenaudokite ir neįkraukite akumuliatorių, kurie buvo sutrenkti arba kaip nors kitaip pažeisti. Reguliariai tikrinkite, ar nėra akumulatoriaus pažeidimo požymių.
- ▶ Niekada nenaudokite utilizuotų arba remonuotų akumuliatorių.
- ▶ Akumulatoriaus arba akumuliatorinio elektrinio įrankio niekada nenaudokite vietoje plaktuko.
- ▶ Saugokite akumuliatorius nuo tiesioginių saulės spindulių, aukštesnės temperatūros, kibirkščių ir atviros ugnies. Tai gali sukelti sprogo pavojų.



- ▶ Baterijos polių nelieskite pirštais, įrankiais, papuošalais ar kitokiais elektrai laidžiais daiktais. Tai gali pažeisti akumuliatorių, taip pat padaryti materialinių nuostolių ir sužaloti.
- ▶ Saugokite akumuliatorius nuo lietaus, drėgmės bei skysčių. Įsiskverbusi drėgmė gali sukelti trumpąjį jungimą, elektros smūgį, nudegimą, gaisrą ir sprogimą.
- ▶ Naudokite tik šio tipo akumuliatoriams skirtus kroviklius ir elektrinius įrankius. Laikykitės atitinkamojo naudojimo instrukcijoje pateiktų duomenų.
- ▶ Nenaudokite ir nelaikykite akumuliatoriaus sprogioje aplinkoje.
- ▶ Jeigu į rankas paimtas akumuliatorius atrodo karštas, jis gali būti sugedęs. Padėkite akumuliatorių matomoje, nedegioje vietos pakankamu atstumu nuo degių medžiagų. Leiskite akumuliatoriui atvėsti. Jei akumuliatorius po valandos vis dar yra per karštas paimti į rankas, jis yra sugedęs. Kreipkitės į **Hilti** techninės priežiūros centrą, arba perskaitykite šį dokumentą „**Hilti** ličio jonų akumuliatorių saugos ir naudojimo nurodymai“.



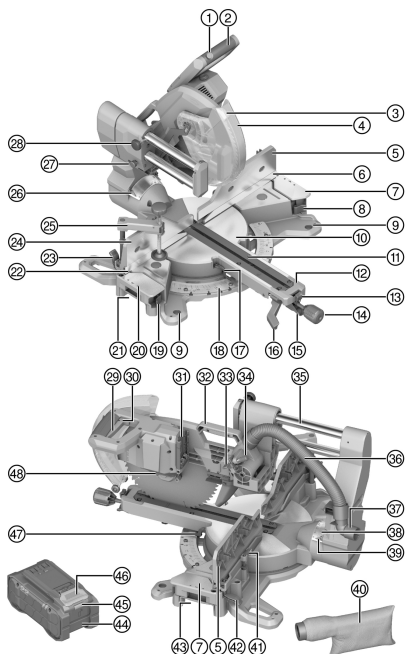
Laikykitės specialiųjų direktyvų, galiojančių ličio jonų akumuliatorių transportavimui, sandėliavimui ir naudojimui.

Perskaitykite **Hilti** ličio jonų akumuliatorių saugos ir naudojimo nurodymus, kuriuos rasite nuske-
navę QR kodą, esantį šios naudojimo instrukcijos gale.





3.1 Prietaiso vaizdas



- ① Įjungimo bloktorius
- ② Rankena
- ③ Šviesiodiodis pjūvio rodmuo
- ④ Apsauginis gaubtas
- ⑤ Viršutinis ribotuvus dešinėje
- ⑥ Apatinis ribotuvus dešinėje
- ⑦ Papildoma atrama dešinėje
- ⑧ Papildomos atramos atblokavimo svirtelė dešinėje
- ⑨ Tvirtinimo skylė
- ⑩ Sukamasis diskas
- ⑪ Plyšio plokštelės
- ⑫ Sukamojo disko auklėnė
- ⑬ Sukamojo disko atblokavimo svirtelės fiksavimo padėtis
- ⑭ Sukamojo disko fiksavimo rankenėlė
- ⑮ Sukamojo disko atblokavimo svirtelė
- ⑯ Vertikalaus posvyrio kampo atblokavimo svirtelė
- ⑰ Horizontalaus posvyrio kampo rodyklė kairėje
- ⑱ Horizontalaus posvyrio kampo skalė
- ⑲ Papildomos atramos atblokavimo svirtelė kairėje
- ⑳ Papildoma atrama kairėje
- ㉑ Išėma kairėje
- ㉒ Apatinis ribotuvus kairėje
- ㉓ Viršutinio ribotuvo atblokavimo svirtelė kairėje
- ㉔ Viršutinis ribotuvus kairėje
- ㉕ Veržtuvas
- ㉖ Vertikalaus posvyrio kampo rodyklė kairėje
- ㉗ Transportinės apsaugos įtaisas
- ㉘ Ištraukimo įtaiso fiksavimo varžtas
- ㉙ Jungiklis
- ㉚ Pakabinamosios spynos skylė
- ㉛ Akumuliatoriaus prijungimo vieta
- ㉜ Transportavimo rankena
- ㉝ Gylio ribotuvo atraminė plokštelė
- ㉞ Gylio ribotuvus
- ㉟ Ištraukimo įtaisas / kreipiamasis strypas
- ⓫ Dulkių nusiurbimo įtaiso jungiamoji žarna
- ⓬ Nusiurbimo atvamzdis
- ⓭ Vertikalaus posvyrio kampo skalė
- ⓮ Vertikalaus posvyrio kampo rodyklė dešinėje
- ⓯ Dulkių surinkimo maišas
- ⓰ Vidinis šešiabriaunis raktas
- ⓱ Viršutinio ribotuvo atblokavimo svirtelė dešinėje
- ⓲ Išėma dešinėje
- ⓳ Akumuliatorius
- ⓴ Akumuliatoriaus būsenos rodmuo
- ⓵ Akumuliatoriaus atblokavimo mygtukas
- ⓶ Horizontalaus posvyrio kampo rodyklė dešinėje
- ⓷ Veleno atblokavimo jungiklis



3.2 Naudojimas pagal paskirtį

Aprašytasis prietaisas yra akumuliatorinės skersinio pjovimo staklės. Jos skirtas medienai, medienos gaminiams, plastikui ir aliumininiam profiliams pjauti. Su prietaisu galima pjauti skersinius pjūvius, įstrižus pjūvius ir nuosklembas.

Prietaisas turi pjuvenų nusiurbimo sistemos prijungimo atvamzdį, tinkantį plačiai naudojamoms siurblių žarnoms prijungti. Dulkių gaudymo įtaiso žarnai sujungti su pjovimo staklėmis gali tėti naudoti tinkamą adapterį.

- Naudokite pjovimo stakles tik su kartu tiekiamu pjuvenų maišu arba tinkamu dulkių gaudymo įtaisu.
- Naudokite tik prietaisui leistus naudoti pjovimo diskus, kurie tenkina techninių duomenų skyriuje pateiktus duomenis (pvz., skersmenį, sukimosi greitį, storį, medžiagą ir t. t.). Neleidžiama naudoti šlifavimo ir pjovimo diskų iš stipriai legiruoto greitapjovio plieno (HSS plieno).
- Su prietaisu niekada nepjaukite magnio.
- Su šiuo prietaisu naudokite tik B 22 serijos **Hilti** Nuron ličio jonų akumulatorius. Optimaliam našumui **Hilti** rekomenduoja šiam prietaisui šios naudojimo instrukcijos gale esančioje lentelėje nurodytus akumulatorius.
- Šiems akumulatoriams įkrauti naudokite tik šios naudojimo instrukcijos gale esančioje lentelėje nurodytų serijų **Hilti** kroviklius.

3.3 Tiekiamas komplektas

Skersinio pjovimo staklės, pjovimo diskas, fiksavimo jungė, tvirtinimo jungė, fiksavimo varžtas, vidinis šešiabriaunis raktas, veržtuvas, sukamojo disko fiksavimo rankenėlė, naudojimo instrukcija

Daugiau Jūsų turimam prietaisui skirtų sisteminių priedų rasite vietinėje **Hilti Store** arba tinklalapyje www.hilti.group

3.4 Ličio jonų akumulatoriaus rodmenys

Hilti Nuron ličio jonų akumulatoriai gali parodyti įkrovos būklę, pranešimus apie klaidą ir akumulatoriaus būklę.

3.4.1 Įkrovos būklės ir pranešimų apie klaidas rodmenys

ĮSPĖJIMAS

Sužalojimo pavojus krentančių akumulatoriumi!

- ▶ Kai akumulatorius įstatytas, spausdami atblokovimo mygtuką įsitikinkite, kad vėl tinkamai užfiksavote akumulatorių naudojamame prietaise.

Kad gautumėte vieną iš šių rodmenų, spustelėkite akumulatoriaus atblokovimo mygtuką.

Įkrovos būklė bei galimos triktys rodomos nuolat, kol prijungtas prietaisas yra įjungtas.

Būsena	Reikšmė
Keturi (4) šviesos diodai nuolat šviečia žaliai	Įkrovos lygis: nuo 100 iki 71 %
Trys (3) šviesos diodai nuolat šviečia žaliai	Įkrovos lygis: nuo 70 iki 51 %
Du (2) šviesos diodai nuolat šviečia žaliai	Įkrovos lygis: nuo 50 iki 26 %
Vienas (1) šviesos diodas nuolat šviečia žaliai	Įkrovos lygis: nuo 25 iki 10 %
Vienas (1) šviesos diodas lėtai mirksi žaliai	Įkrovos lygis: < 10 %
Vienas (1) šviesos diodas greitai mirksi žaliai	Ličio jonų akumulatorius yra visiškai išsikrovęs. Akumulatorių įkraukite. Jei šviesos diodai po akumulatoriaus įkrovimo vis dar greitai mirksi, kreipkitės į Hilti techninės priežiūros centrą.
Vienas (1) šviesos diodas greitai mirksi geltonai	Ličio jonų akumulatorius arba su juo sujungtas prietaisas yra veikiamas per didelės apkrovos, yra per karštas, per šaltas arba įvykęs kitoks gedimas. Prietaisą ir akumulatorių nustatykite į rekomenduojamą darbinę temperatūrą ir naudodami neperkraukite prietaiso. Jei pranešimas rodomas ir toliau, prašome kreiptis į Hilti techninės priežiūros centrą.



Būseną	Reikšmė
Vienas (1) šviesos diodas šviečia geltonai	Ličio jonų akumuliatorius ir su juo susijęs prietaisas yra nesuderinami. Kreipkitės į Hilti techninės priežiūros centrą.
Vienas (1) LED šviesos diodas greitai mirksi raudonai	Ličio jonų akumuliatorius užblokuotas, jo nebegalima naudoti. Kreipkitės į Hilti techninės priežiūros centrą.

3.4.2 Akumuliatoriaus būsenos rodmenys

Norėdami užklausti apie akumuliatoriaus būklę, ilgiau nei tris sekundes spauskite atblokovimo mygtuką. Sistema neatpažįsta galimo netinkamo baterijos veikimo, kuris yra neleistino baterijos naudojimo pasekmė, pvz., jei nukritus, ją pažeidus arba esant išorinių pažeidimų dėl karščio.

Būseną	Reikšmė
Visi šviesos diodai šviečia kaip signalinės lemputės, ir po to (1) vienas šviesos diodas nuolat šviečia žalia spalva.	Akumuliatorių galima naudoti toliau.
Visi šviesos diodai šviečia kaip signalinės lemputės, ir po to (1) vienas šviesos diodas greitai mirksi geltona spalva.	Užklausa dėl akumuliatoriaus būklės negalėjo būti baigta. Procedūrą pakartokite arba kreipkitės į Hilti techninės priežiūros centrą.
Visi šviesos diodai šviečia kaip signalinės lemputės, ir po to (1) vienas šviesos diodas nuolat šviečia raudona spalva.	Jei prijungtą prietaisą galima naudoti toliau, likusi akumuliatoriaus talpa yra mažesnė kaip 50%. Jei prijungto prietaiso toliau naudoti nebegalima, vadinasi akumuliatoriaus eksploatavimo laikas baigėsi ir jį reikia pakeisti. Kreipkitės į Hilti techninės priežiūros centrą.

4 Techniniai duomenys

4.1 Gaminio savybės

Nominalioji įtampa	21,6 V	
Nominalus tuščiosios eigos sukimosi greitis	4 300 aps./min.	
Pjovimo disko skersmuo	305 mm	
Bazinis pjovimo disko storis	0,5 mm ... 1,5 mm	
Pjovimo disko tvirtinimo skylė	30 mm	
Pjūvio plotis	3,2 mm	
Maksimalus horizontalus posvyrio kampas	Dešinėn	≤ 60°
	Kairėn	≤ 52°
Maksimalus vertikalus posvyrio kampas	Dešinėn	≤ 48°
	Kairėn	≤ 48°
Maksimalus pjovimo pajėgumas, nepriklausomai nuo kitų dydžių arba posvyrio kampų	Aukštis	≤ 100 mm
	Plotis	≤ 360 mm
Svoris	25,6 kg (pagal EPTA-Procedure 01 be akumuliatoriaus)	
Darbinė aplinkos temperatūra	-17 °C ... 60 °C	
Laikymo temperatūra	-20 °C ... 70 °C	

4.2 Akumuliatorius

Akumuliatoriaus darbinė įtampa	21,6 V
Akumuliatoriaus svoris	Žr. šios naudojimo instrukcijos gale.
Darbinė aplinkos temperatūra	-17 °C ... 60 °C



Laikymo temperatūra	-20 °C ... 40 °C
Akumulatoriaus temperatūra, kai pradinama įkrauti	-10 °C ... 45 °C

4.3 Informacija apie triukšmą ir vibracijos reikšmės pagal EN 62841

Šiuose nurodymuose pateiktos garso slėgio ir vibracijos reikšmės yra išmatuotos taikant standartizuotą matavimo metodą ir gali būti naudojamos elektriniams įrankiams palyginti tarpusavyje. Jos taip pat tinka šių veiksmų poveikiui iš anksto įvertinti.

Nurodytieji duomenys yra susieti su pagrindinėmis šio elektrinio įrankio naudojimo sritimis. Jeigu elektrinis įrankis bus naudojamas kitaip, su skirtingais keičiamaisiais įrankiais arba bus nepakankamai techniškai prižiūrimas, šie duomenys gali skirtis nuo nurodytųjų. Tai gali gerokai padidinti šių veiksmų poveikį per visą darbo laikotarpį.

Norint tiksliai įvertinti poveikį, reikėtų įvertinti ir laiką, kai prietaisas yra išjungtas, arba, nors ir įjungtas, juo faktiškai nedirbama. Toks įvertinimas gali smarkiai sumažinti poveikio per visą darbo laikotarpį reikšmę.

Imkitės papildomų saugos priemonių, kad darbuotojas būtų apsaugotas nuo triukšmo ir / arba vibracijos poveikio, pavyzdžiui, reikalaukite tinkamos elektrinio įrankio ir keičiamųjų įrankių techninės priežiūros, pasirūpinkite, kad darbuotojų rankos visada būtų šiltos, užtikrinkite tinkamą darbo organizavimą.

Informacija apie triukšmą

Garso galios lygis (L_{WA})	101 dB(A)
Garso slėgio lygis (L_{pA})	90 dB(A)
Paklaida (L_{WA} ir L_{pA})	3 dB(A)

Suminės vibracijų reikšmės

Vibracijų emisijos reikšmė	B 22-55	$\leq 2,5 \text{ m/s}^2$
	B 22-255	$\leq 2,5 \text{ m/s}^2$
Paklaida		1,5 m/s^2

4.4 Maksimalus pjovimo pajėgumas

Nurodyti aukščio ir pločio dydžiai priklauso vienas nuo kito. Maksimaliai galima aukščio ir pločio vertes rasite skyriuje „Prietaiso savybės“. → psl. 170

Horizontalus posvyrio kampas	Vertikalus posvyrio kampas	Aukštis x plotis
0°	0°	100 mm x 355 mm
	22,5° dešinėn	72 mm x 355 mm
	22,5° kairėn	90 mm x 355 mm
	30° dešinėn	60 mm x 355 mm
	30° kairėn	78 mm x 355 mm
	45° dešinėn	40 mm x 355 mm
	45° kairėn	65 mm x 340 mm
	48° dešinėn	30 mm x 355 mm
	48° kairėn	50 mm x 355 mm
45° dešinėn 45° kairėn	0°	100 mm x 250 mm
	45° dešinėn	40 mm x 250 mm
	45° kairėn	62 mm x 250 mm
52° kairėn	0°	100 mm x 200 mm
	45° dešinėn	40 mm x 220 mm
	45° kairėn	62 mm x 220 mm
60° dešinėn	0°	100 mm x 176 mm
	45° dešinėn	40 mm x 178 mm
	45° kairėn	30 mm x 190 mm



5 Pasiruošimas darbui

ĮSPĖJIMAS

Sužalojimo pavojus dėl atsitiktinio paleidimo!

- ▶ Prieš įdėdami akumuliatorių, įsitikinkite, kad atitinkamas prietaisas yra išjungtas.
- ▶ Prieš nustatydami prietaisą ar keisdami reikmenis, išimkite akumuliatorių.

Laikykitės šioje instrukcijoje ir ant prietaiso pateiktų saugos nurodymų ir įspėjimų.

5.1 Fiksavimo rankenos įmontavimas

Sukamojo disko fiksavimo rankena nesumontuota tiekiamam prietaisui. Ją reikia įmontuoti prieš pradėdami naudoti pjovimo stakles.

- ▶ Įsukite fiksavimo rankeną į sukamojo disko alkūnę.

5.2 Akumulatoriaus įkrovimas

1. Prieš pradėdami krauti, perskaitykite kroviklio naudojimo instrukciją.
2. Atkreipkite dėmesį, kad akumulatoriaus ir kroviklio kontaktai turi būti švarūs ir sausi.
3. Akumuliatorių įkraukite leistinu krovikliu. → psl. 169

5.3 Akumulatoriaus įdėjimas

ĮSPĖJIMAS

Sužalojimo pavojus dėl trumpojo jungimo arba krintančio akumulatoriaus!

- ▶ Prieš įdėdami akumuliatorių įsitikinkite, kad jo ir prietaiso kontaktuose nėra pašalinių daiktų.
- ▶ Įsitikinkite, kad akumulatorius visada tinkamai užsifiksavo.

1. Prieš pirmąjį kartą naudodami, akumuliatorių pilnai įkraukite.
2. Akumuliatorių stumkite į prietaisą, kol jis girdimai užsifiksuos.
3. Patikrinkite, ar akumulatorius gerai užfiksuotas prietaise.

5.4 Akumulatoriaus išėmimas

1. Spauskite akumulatoriaus atblokavimo mygtuką.
2. Iš gaminio išimkite akumuliatorių.

5.5 Prietaiso montavimas

Prietaisas turi būti pritvirtintas prie lygaus ir stabilaus paviršiaus.

1. Prietaisą pastatykite ant lygaus ir stabilaus paviršiaus.
2. Prietaisą varžtais pro tvirtinimo skyles pritvirtinkite ant darbinio paviršiaus. Tam naudokite tinkamus varžtus.
3. Prietaiso kojeles pasirinktinai priveržkite įprastiniais veržtuvais prie darbinio paviršiaus.



Hilti siūlo papildomai įsigyti rėmą, ant kurio galima sumontuoti prietaisą mobiliam naudojimui.

5.6 Nustatymas į darbinę padėtį

1. Pjovimo galvutę švelniai spauskite žemyn ir ištraukite transportinės apsaugos įtaisą.
2. Kontroliuodami pakelkite pjovimo galvutę aukštin.

5.7 Dulkių nusiurbimo įtaisas

5.7.1 Dulkių surinkimo maišo montavimas

Naudojant dulkių surinkimo maišą užtikrinamas švarus darbas ir surenkamas didesnis susidarančių dulkių procentinis kiekis.

- ▶ Dulkių surinkimo maišą užmaukite ant nusiurbimo atvamzdžio.



5.7.2 Dulkių gaudymo įtaiso prijungimas

Dulkių gaudymo įtaisas turi tikti apdirbamai medžiagai. Sveikatai pavojingoms, vėžį sukeliančioms arba sausoms dulkėms nusiurbti naudokite specialų dulkių siurbį.

- ▶ Siurbimo žarną užmaukite ant nusiurbimo atvamzdžio.

5.8 Pjovimo disko uždėjimas

Įsitinkinkite, kad tvirtinamas pjovimo diskas atitinka techninius reikalavimus ir yra gerai pagalastas. Aštrus pjovimo diskas yra neprikaištingo pjūvio sąlyga.

1. Nuvalykite tvirtinimo ir fiksavimo jungę.
2. Ant pavaros veleno tinkama kryptimi užmaukite tvirtinimo jungę **(1)**.
3. Atidarykite paslankųjį apsauginį gaubtą **(2)**.
4. Uždėkite naują pjovimo diską.



Atkreipkite dėmesį į sukimosi krypties rodykles **(3)** ant pjovimo disko ir ant prietaiso. Jos turi sutapti.

5. Tinkama kryptimi uždėkite išorinę fiksavimo jungę **(4)**.
6. Įsukite fiksavimo varžtą.
7. Į pjovimo disko fiksavimo varžtą įstatykite vidinį šešiabriaunį raktą.
8. Paspauskite ir laikykite veleno blokavimo mygtuką **(5)**.
9. Vidiniu šešiabriauniu raktu priveržkite fiksavimo varžtą **(6)**.
10. Patikrinkite, ar tinkamai įdėtas pjovimo diskas.
11. Patikrinkite pjovimo disko judėjimo laisvumą. Pjovimo diskas be nustatymo (horizontalaus ir (arba) vertikalios posvyrio kampo) turi nesiliesti su kitomis pjovimo staklių konstrukcinėmis dalimis.
12. Vidinį šešiabriaunį raktą įstatykite į tam skirtą lizdą.

5.9 Pjovimo disko nuėmimas

ĮSPĖJIMAS

Pavojus nusidiegti ir įsipjauti pjovimo disku, fiksavimo varžtu ir fiksavimo jungė Galima nudegti ir įsipjauti.

- ▶ Keisdami įrankius, mūvėkite apsaugines pirštines.

1. Paspauskite ir laikykite veleno blokavimo mygtuką **(1)**.
2. Vidiniu šešiabriauniu raktu atlaisvinkite fiksavimo varžtą **(2)**.
3. Išimkite fiksavimo varžtą ir fiksavimo jungę **(3)**.
4. Atidarykite paslankųjį apsauginį gaubtą **(4)** ir išimkite pjovimo diską **(5)**.



Jeigu reikia, tvirtinimo jungę galima nuimti ir nuvalyti.

6 Naudojimas

Laikykites šioje instrukcijoje ir ant prietaiso pateiktų saugos nurodymų ir įspėjimų.

6.1 Ištraukimo įtaiso užfiksavimas / atlaisvinimas

Ištraukimo įtaisa galima fiksuoti bet kurioje vietoje.

1. Norėdami užfiksuoti ištraukimo įtaisa, fiksavimo varžtą **(1)** sukite pagal laikrodžio rodyklę.
 - ▶ Fiksavimo varžtas užfiksuoja kreipiamąjį strypą, neleidžiama slysti.
2. Norėdami atpalaiduoti ištraukimo įtaisa, fiksavimo varžtą **(1)** sukite prieš laikrodžio rodyklę.

6.2 Pjovimo gylio nustatymas gylio ribotuvu

Naudokite gylio ribotuvą, jei, pvz., norėtumėte pjauti griovelį.

1. Gylio ribotuvo atraminę plokštelę **(1)** palenkite taip, kad nuleidžiant pjovimo galvutę gylio ribotuvus nepraeitų pro angą.
2. Pageidaujama pjovimo gylį nustatykite varžtu su rievėta galvute **(2)**.



3. Jei nebetorite riboti pjovimo gylio, gylio ribotuvo atraminę plokštelę **(1)** palenkite taip, kad nuleidžiant pjovimo galvutę gylio ribotuvas praeitų pro aną.

6.3 Pjovimo stalo pailginimas **7**

ĮSPĖJIMAS

Sužalojimo pavojus dėl ilgų ruošinių. Pjovimo metu ilgi ruošiniai gali apvirsti nekontroliuojami, pakelti apsauginį gaubtą, prispausti pjovimo diską ir sukelti atotrūkį.

- ▶ Ilgus ruošinius paremkite papildomais pjovimo ožiais arba panašiomis atramomis.

Pjovimo stalo atraminį paviršių galima padidinti naudojant papildomas atramas dešinėje ir (arba) kairėje pusėje.

1. Atidarykite papildomos atramos atblokovimo svirtelę **(1)**.
2. Ištraukite atraminę atramą **(2)**.
3. Uždarykite papildomos atramos atblokovimo svirtelę **(1)**.
4. Jei reikia, pakartokite veiksmus priešingoje pusėje esančiai papildomai atramai.

6.4 Viršutinių ribotuvų nustatymas **8, 9**

Priklausomai nuo horizontalaus ir (arba) vertikalaus posvyrio kampo nustatymo, viršutinius ribotuvus reikia ištraukti lauk arba visiškai pašalinti.

1. Pakelkite aukštyn viršutinio ribotuvo atblokovimo svirtelę **(1)** kairėje arba dešinėje.
2. Ištraukite į išorę viršutinį ribotuvą **(2)** tiek, kiek reikia, arba pašalinkite viršutinį ribotuvą.
3. Nuleiskite žemyn atblokovimo svirtelę **(1)**.
 - ▶ Jei pjaunate tiesius pjūvius, vėl sumontuokite viršutinius ribotuvus į vidinę padėtį.
4. Jei viršutinis ribotuvas pašalintas, pjovimo proceso metu jį galima saugiai laikyti pritvirtinus prie papildomos atramos kreipiamųjų strypų.

6.5 Horizontalaus posvyrio kampo nustatymas **10**

ĮSPĖJIMAS

Sužalojimo pavojus dėl neužfiksuoto sukamojo disko. Neužfiksuotas sukamasis diskas pjovimo metu gali persisukti, nuversti ruošinį ir taip sukelti atotrūkį.

- ▶ Prieš pjaudami visada priveržkite sukamojo disko fiksavimo rankenėlę.

Sąlygos: Standartinis posvyrio kampas

Kad būtų galima greitai ir tiksliai nustatyti dažnai naudojamus horizontalius posvyrio kampus, ant horizontalaus posvyrio kampo skalės yra įpjovos. Ties šiomis įpjovomis galima užfiksuoti sukamąjį diską.

Horizontalių posvyrio kampų fiksavimo padėtytys

Kairėn	Viduryje	Dešinėn
45°; 31,6°; 22,5°; 15°	0°	15°; 22,5°; 31,6°; 45°; 60°

- ▶ Jei reikia, atlaisvinkite sukamojo disko fiksavimo rankenėlę **(2)**.
- ▶ Patraukite aukštyn ir laikykite sukamojo disko atblokovimo svirtelę **(1)** ir sukite sukamąjį diską beveik iki pat pageidaujamo horizontalaus posvyrio kampo **(3)**.
- ▶ Paleiskite sukamojo disko atblokovimo svirtelę ir toliau sukite sukamąjį diską iki pageidaujamo horizontalaus posvyrio kampo, kol fiksatorius užsifiksuoja.
- ▶ Priveržkite sukamojo disko fiksavimo rankenėlę **(2)**.



- Be standartinio posvyrio kampo galima laisvai nustatyti horizontalų posvyrio kampa.
- ▶ Jei reikia, atlaisvinkite sukamojo disko fiksavimo rankenėlę (2).
 - ▶ Traukite aukštyn sukamojo disko atblokovimo rankenėlę (1) ir ją užfiksuokite (4).
 - ▶ Sukamuoju disku nustatykite pageidaujamą horizontalų posvyrio kampa (3).
 - ▶ Priveržkite sukamojo disko fiksavimo rankenėlę (2).

6.6 Vertikalaus posvyrio kampo nustatymas

ĮSPĖJIMAS

Sužalojimo pavojus dėl neužfiksuoto posvyrio. Jei vertikalaus posvyrio kampo nustatymas yra neužfiksuotas, pjovimo metu pjovimo galvutė gali apvirsti ir sukelti atatranka.

- ▶ Po nustatymo visada paspauskite žemyn iki galo vertikalaus posvyrio kampo atblokovimo svirtelę, kad užfiksuotumėte posvyrį.

ATSARGIAI

Sužalojimo pavojus dėl viršutinių ribotuvų. Nustačius vertikalų posvyrio kampa, pjovimo diskas gali susidurti su viršutiniais ribotuvais, dėl to jie gali būti pažeisti ir gali įvykti atatranka.

- ▶ Kiekvieną kartą nustatę vertikalų posvyrio kampa patikrinkite pjovimo disko judėjimo laisvumą ir viršutinius ribotuvus nustatykite kiek reikia į išorę.

Kad būtų galima greitai ir tiksliai nustatyti dažnai naudojamus vertikalūs posvyrio kampus, pjovimo galvutę galima užfiksuoti keliuose padėtyse.

Vertikalių posvyrio kampų fiksavimo padėtyys

Kairėn	Viduryje	Dešinėn
45°; 33,9°; 22,5°	0°	22,5°; 33,9°; 45°

- ▶ Traukite aukštyn vertikalaus posvyrio kampo nustatymo įtaiso atblokovimo svirtelę, kad ją atpalaiduotumėte (2).
- ▶ Traukite iki pat viršaus vertikalaus posvyrio kampo nustatymo įtaiso atblokovimo svirtelę, kad pjovimo galvutė galėtų laivai judėti (3).
- ▶ Atleiskite atblokovimo svirtelę ir lenkite pjovimo galvutę, kol fiksatorius užsifiksuos.
 - ▶ Pjovimo galvutė gali užsifiksuoti kiekvienoje iš anksčiau nurodytų padėčių.
- ▶ Po to atblokovimo svirtelę spauskite iki pat apačios (1), kad pjovimo galvutę užfiksuotumėte nustatytoje padėtyje.
- ▶ Jei norite nustatyti bet kokį vertikalaus posvyrio kampa, vertikalaus posvyrio kampo nustatymo įtaiso atblokovimo svirtelę laikykite viršutinėje padėtyje (3), kol pasieksite pageidaujamą vertikalų posvyrio kampa.
- ▶ Po to atblokovimo svirtelę spauskite iki pat apačios (1), kad pjovimo galvutę užfiksuotumėte nustatytoje padėtyje.
- ▶ Viršutinius ribotuvus nustatykite taip, kad jie negalėtų susidurti su pjovimo disku. → psl. 174

6.7 Pjovimo linijos rodmens aktyvinimas

Pjovimo staklėse yra įrengtas pjovimo linijos rodmuo. Pjovimo galvutėje esantis šviesos diodas apšviečia darbo zoną ir dėl to pjovimo diskas meta šešėlį, dėl ko geriau rodoma pjovimo linija.

1. Aktyvinkite jungiklį, nespausdami įjungimo blokatoriaus.
 - ▶ Šviesos diodas suaktyvinamas.
2. Pjovimo galvutę nuleiskite žemyn.
 - ▶ Pjovimo disko šešėlis krenta ant ruošinio ir išryškina pjovimo liniją.
3. Jei reikia, ruošinį arba horizontalaus ir (arba) vertikalaus posvyrio kampo nustatymą pritaikykite prie pjovimo linijos.



6.8 Ruošinio padėties nustatymas ir pritvirtinimas 12, 13, 14**⚠ IŠPĖJIMAS**

Sužalojimo pavojus dėl deformuotos medienos. Deformuotas ir (arba) kreivas ruošinys gali nuvirsti prie pjovimo disko ir sukelti atitrąnką.

- ▶ Deformuotus arba kreivus ruošinius prie ribotuvo visada padėkite su į išorę išlenkta puse. Niekada nepadėkite ruošinio taip, kad tarp ruošinio ir ribotuvų nebūtų oro tarpo.

⚠ IŠPĖJIMAS

Sužalojimo pavojus dėl netinkamos ruošinio padėties. Netinkamai padėtas ruošinys gali nuvirsti prie pjovimo disko ir sukelti atitrąnką.

- ▶ Ruošinį visada padėkite taip, kad jis didžiausiu galimu atraminiu paviršiumi būtų padėtas ant sukamojo disko, atramų ir ribotuvų.

⚠ IŠPĖJIMAS

Sužalojimo pavojus dėl nepritvirtinto ruošinio! Jei ruošinys netinkamai pritvirtintas prie ribotuvo, pjovimo metu ruošinys gali pasislinkti ir pažeisti pjovimo diską, dėl ko ruošinys gali būti išsviestas ir galite nesuvaldyti prietaiso.

- ▶ Atliekant visas operacijas, ruošinys turi būti tvirtai pritvirtintas veržtuvu prie sukamojo disko arba ribotuvo.

⚠ IŠPĖJIMAS

Sužalojimo pavojus dėl pjovimo staklių konstrukcinių dalių kontakto su veržtuvu! Palietus veržtuvą, pjovimo diskas gali būti sugadintas. Veržtuvas gali trukdyti apsauginiams įtaisams ir riboti jų veikimą. Veržtuvas gali riboti pjovimo galvutės judėjimą, dėl to gali įvykti atitrąnka.

- ▶ Pabandykite atlikti numatomą judesį su išjungtomis pjovimo staklėmis. Įsitikinkite, kad pjovimo staklių konstrukcinės dalys nesiliečia su veržtuvu.
- ▶ Priešingu atveju perkeltite veržtuvą į kitą pjovimo staklių vietą.
- ▶ Spauskite veržtuvo (2) atblokavimo mygtuką ir traukite srieginį strypą iki galo aukštyn.
- ▶ Veržtuvą įstatykite į vieną iš tam skirtų angų (1).
- ▶ Tvirtai spauskite ruošinį prie apatinio ribotuvo.
- ▶ Spauskite veržtuvo atblokavimo mygtuką, kad srieginį strypą greitai pritaikytumėte ant ruošinio (2).
- ▶ Veržtuvą palenkite atgal, priešingai srieginio strypo padėčiai (3). Po to srieginį strypą priveržkite sukdamį pagal laikrodžio rodyklę ir taip užfiksuokite ruošinį (4).
 - ▶ Norėdami ruošinį atpalaiduoti, srieginį strypą sukite prieš laikrodžio rodyklę. Po to spauskite veržtuvo atblokavimo mygtuką ir traukite srieginį strypą iki galo aukštyn.

6.9 Sukimosi greičio nustatymas

- ▶ Sukimosi greičio reguliavimo ratuku nustatykite pageidaujimą sukimosi greitį.

6.10 Įjungimas / išjungimas**⚠ IŠPĖJIMAS**

Sužalojimo pavojus dėl atitrąnkos.

- ▶ Pjovimo stakles įjunkite tik tada, kai pjovimo diskas neličia ruošinio.

⚠ IŠPĖJIMAS

Sužalojimo pavojus dėl atitrąnkos.

- ▶ Po išjungimo palikite pjovimo galvutę kurį laiką žemiausioje padėtyje, kol pjovimo diskas sustos.

1. Paspauskite ir laikykite nuspaudę įjungimo blokatorių.
2. Paspauskite ir laikykite nuspaudę jungiklį.
 - ▶ Pjovimo staklės veikia.
3. Norėdami pjovimo stakles išjungti, atleiskite jungiklį.



6.11 Pjovimas

ĮSPĖJIMAS

Sužalojimo pavojus dėl netinkamos plaštakų ir rankų padėties. Netinkamai laikant rankas ir plaštakas, besisukantis pjovimo diskas gali jas pasiekti ir sunkiai sužaloti.

- ▶ Pjudami niekada nesukryžiuokite rankų. Niekada ranka arba plaštaka nekirskite pjovimo linijos.
- ▶ Rankas ir plaštakas laikykite už pažymėtos pavojingosios zonos ribų kairėje ir dešinėje pjovimo disko pusėse.

Dirbant su skersinio pjovimo staklėmis, dėl tinkamos kūno ir rankų padėties pjovimas tampa paprastesnis, tikslesnis ir saugesnis.

Abiem kojomis stovėkite tvirtai ant grindų ir laikykite pusiausvyrą. Jei posvyrio kampo alkūnė palenkite į kairę arba į dešinę, sekite ją ir stovėkite truputį šone nuo pjovimo disko.

Laikykite laisvą pavojingąją zoną 230 mm (9 in) kairėje ir 270 mm (10.4 in) dešinėje nuo pjovimo disko. Plaštakas, rankas ir kitas kūno dalis laikykite atokiau nuo šios pavojingosios zonos.

Plaštakas laikykite padėtyje, kol atleisite jungiklį ir kol pjovimo diskas visiškai sustos.



Pjūviui atlikti pjovimo galvutę švelniai ir kontroliuodami spauskite žemyn. Per stipriai spaudžiant arba naudojant šoninę jėgą pjūvio linijos atžvilgiu, pjovimo diskas gali pradėti vibruoti, dėl ko ruošinyje gali būti padaromos papildomos pjovimo žymės ir gali sumažėti pjovimo tikslumas.

6.11.1 Pjovimas neatliekant stūmimo judesio (skersinis pjovimas)

ĮSPĖJIMAS

Sužalojimo pavojus dėl neužfiksuoto ištraukimo įtaiso. Neužfiksuotus ištraukimo įtaiso, pjovimo galvutę gali nelaukiai pajudėti ir sukelti atatranka.

- ▶ Atlikdami skersinius pjūvius visada užfiksuokite ištraukimo įtaisą.

1. Stumkite atgal pjovimo galvutę iki galo (nuo savęs).
2. Užfiksuokite ištraukimo įtaisą. → psl. 173
3. Gylio ribotuvo atraminę plokštelę nustatykite taip, kad nuleidžiant pjovimo galvutę gylio ribotuvą praeitų pro angą. → psl. 173
4. Visus pjovimo staklių nustatymus (kampus, ribotuvus, atraminius paviršius) pritaikykite prie atliekamo pjūvio reikalavimų.
5. Apdirbamas detales ar ruošinius įtvirtinkite. → psl. 176
6. Įjunkite pjovimo stakles. → psl. 176
7. Pjovimo galvutę lėtai nuleiskite žemyn ir tolygiai stumdami pjaukite ruošinį.
8. Išjunkite pjovimo stakles ir palaukite, kol pjovimo diskas visiškai sustos.
9. Pjovimo galvutę gražinkite į viršutinę padėtį.

6.11.2 Pjovimas atliekant stūmimo judesį

ĮSPĖJIMAS

Atatranka dėl netinkamo pjovimo galvutės judėjimo. Dėl netinkamo pjovimo galvutės judesio, kai pjaunama naudojant stūmimo judesį, gali įvykti atatranka.

- ▶ Pirmiausia prieš pjovimą visada ištraukite pjovimo galvutę, tada nuleiskite ją žemyn ir po to stumkite ją ribotuvų kryptimi.
- ▶ Niekada netraukite pjovimo galvutės į save, jei pjovimo diskas jau yra ruošinyje.



Kai pjaunate atlikdami stūmimo judesį, pjovimo galvutę stumkite švelniai ir be sustojimo link ribotuvo. Jei pjovimo metu stūmimo judesys nutraukiamas, pjovimo diskas palieka žymes ruošinyje ir sumažėja pjovimo tikslumas.

1. Jei reikia, atpalaiduokite ištraukimo įtaisą. → psl. 173
2. Gylio ribotuvo atraminę plokštelę nustatykite taip, kad nuleidžiant pjovimo galvutę gylio ribotuvą praeitų pro angą. → psl. 173
3. Visus pjovimo staklių nustatymus (kampus, ribotuvus, atraminius paviršius) pritaikykite prie atliekamo pjūvio reikalavimų.
4. Apdirbamas detales ar ruošinius įtvirtinkite. → psl. 176



5. Pjovimo galvutę patraukite iki galo link savęs.
6. Įjunkite pjovimo stakles. → psl. 176
7. Pjovimo galvutę lėtai nuleiskite žemyn.
8. Pjovimo galvutę laikykite žemiausioje padėtyje ir stumkite ją lėtai atgal (nuo savęs). Tolygiai stumdami pjaukite ruošinį.
9. Išjunkite pjovimo stakles ir palaukite, kol pjovimo diskas visiškai sustos.
10. Pjovimo galvutę grąžinkite į viršutinę padėtį.

6.11.3 Griovelio pjovimas

1. Gylio ribotuvą nustatykite į pageidaujamą pjovimo gyli. → psl. 173
2. Pjaukite atlikdami stūmimo judesį. → psl. 177

6.11.4 Profiliuotų lentjuosčių pjovimas

ĮSPĖJIMAS

Sužalojimo pavojus netinkamai užfiksavus ruošinį. Netinkamai užfiksruotas ruošinys gali nuvirsti prie pjovimo disko ir sukelti atitrūkimą.

- ▶ Jei profiliuotą lentjuostę dedate prie ribotuvo, ypač atkreipkite dėmesį, kad profiliuota lentjuostė būtų pakankamai apsaugota nuo pasislinkimo. → psl. 176

Profiliuotas lentjuostas galima pjauti dviem skirtingais būdais:

- atrėmus į ribotuvą,
- paguldžius ant pjovimo stalo.
- ▶ Priklausomai nuo profiliuotų lentjuosčių pločio, pjaukite atlikdami stūmimo judesį arba jo neatlikdami.
- ▶ Nustatytą horizontalų ir (arba) vertikalų posvyrio kampą pirmiausia išbandykite pjaudami medienos atliekas.

7 Prižiūra ir einamasis remontas

ĮSPĖJIMAS

Sužalojimo pavojus kai įstatytas akumulatorius !

- ▶ Prieš pradėdami bet kokius techninės priežiūros ir einamojo remonto darbus, akumuliatorių iš prietaiso išimkite!

Prietaiso priežiūra

- Prilipusius nešvarumus atsargiai nuvalykite.
- Vėdinimo plyšius atsargiai išvalykite sausu, minkštu šepetėliu.
- Korpusą valykite tik šiek tiek sudrėkinta šluoste. Nenaudokite priemonių, kurių sudėtyje yra silikono, nes jos gali pakenkti plastikinėms detalėms.
- Prietaiso kontaktams nuvalyti naudokite švarią, sausą šluostę.
- Reguliariai valykite ištraukimo įtaisą ir papildomų atramų kreipiamuosius strypus. Po kiekvieno valymo užlašinkite kelis lašus alyvos ant visų kreipiamųjų strypų.
- Reguliariai valykite viršutinį ribotuvų atraminius paviršius. Jeigu reikia, atraminius paviršius patepkite tepalu.

Ličio jonų akumuliatorių priežiūra

- Niekada nenaudokite akumulatoriaus, jei jo vėdinimo plyšiai yra užsikimšę. Vėdinimo plyšius atsargiai išvalykite sausu, minkštu šepetėliu.
- Saugokite akumuliatorių nuo bereikalingo dulkių ir nešvarumų poveikio. Saugokite akumuliatorių nuo didelės drėgmės (pvz., nepanardinkite į vandenį ir nepalikite stovėti lietuje). Jei akumuliatorių peršlapo, elkitės su juo kaip su pažeistu akumuliatoriumi. Izoliuokite jį nedegiamame konteineryje ir kreipkitės į **Hilti** techninės priežiūros centrą.
- Saugokite akumuliatorių nuo pašalinės alyvos ir tepalų. Saugokite, kad ant akumulatoriaus nenusėtų dulkių ir nešvarumų. Akumuliatorių valykite sausu, minkštu šepetėliu arba švaria, sausa šluoste. Nenaudokite priemonių, kurių sudėtyje yra silikono, nes jos gali pakenkti plastikinėms detalėms. Nelieskite akumulatoriaus kontaktų ir nepašalinkite nuo kontaktų gamykloje užtepto tepalo.
- Korpusą valykite tik šiek tiek sudrėkinta šluoste. Nenaudokite priemonių, kurių sudėtyje yra silikono, nes jos gali pakenkti plastikinėms detalėms.



Einamasis remontas

- Reguliariai tikrinkite, ar matomos dalys nėra pažeistos ir ar valdymo elementai veikia nepriekaištingai.
- Nenaudokite pažeisto prietaiso arba prietaiso su veikimo trikdžiais. Prietaisą nedelsdami pristatykite remontuoti į **Hilti** techninės priežiūros centrą.
- Atlikę priežiūros ir remonto darbus uždėkite visus apsauginiai įtaisus ir patikrinkite, ar jie nepriekaištingai veikia.



Kad eksploatacija būtų patikima, naudokite tik originalias atsargines dalis ir eksploatacines medžiagas. **Hilti** aprobuotas atsargines dalis, eksploatacines medžiagas ir reikmenis savo prietaisui rasite vietinėje **Hilti Store** arba tinklalapyje www.hilti.group

7.1 Apsauginio įtaiso valymas

1. Nuimkite pjovimo diską. → psl. 173
2. Apsauginius įtaisus atsargiai valykite sausu šepetėliu.
3. Apsauginių įtaisų viduje susikaupusias apnašas ir pjūvenas šalinkite tinkamu įrankiu.
4. Uždėkite pjovimo diską. → psl. 173

7.2 Nusiurbimo adapterio ir jungiamosios žarnos valymas **17**

1. Pašalinkite dulkių surinkimo maišą arba prijungtą dulkių gaudymo įtaiso nusiurbimo žarną.
2. Atskirkite jungiamosios žarnos tvirtinimo varžtus prie pjovimo galvutės **(1)**.
3. Jungiamąją žarną numaukite nuo pjovimo galvutės **(2)** ir nusiurbimo adapterio.
4. Ištuštinkite jungiamąją žarną ir išvalykite ją sausu šepetėliu.
5. Pjuvenų kanalą pjovimo galvutėje ir nusiurbimo adapterį išvalykite sausu šepetėliu.
6. Jungiamąją žarną vėl užmaukite ant nusiurbimo adapterio ir pjovimo galvutės.
7. Priveržkite jungiamosios žarnos tvirtinimo varžtus prie pjovimo galvutės.
8. Sumontuokite dulkių surinkimo maišą arba vėl prijunkite dulkių gaudymo įtaisą. → psl. 172

7.3 Dulkių surinkimo maišo ištuštinimas **18**

1. Nutraukite dulkių surinkimo maišą nuo nusiurbimo adapterio.
2. Atitraukite dulkių surinkimo maišo užtrauktuką ir tinkamai pašalinkite turinį.
3. Užtraukite dulkių surinkimo maišo užtrauktuką.
4. Dulkių surinkimo maišą vėl sumontuokite ant nusiurbimo adapterio. → psl. 172

7.4 Nustatymų ir rodmenų tikrinimas ir reguliavimas

Skersinio pjovimo staklės rūpestingai nustatytos ir sureguliuotos gamykloje. Tačiau po intensyvaus arba grubaus naudojimo gali reikėti patikrinti ir prireikus parguliuoti pjovimo staklių nustatymus ir rodmenis.

Pjovimo staklės patikrinti ir reguliuoti jums reikia patirties ir specialaus įrankio.

Hilti rekomenduoja pjovimo stakles pavesti reguliuoti tik **Hilti** techninės priežiūros centrui.



Atlikdami visus tikrinimo ir nustatymo darbus kampų šablonu nelieskite pjovimo disko dantų viršūnių. Dėl to matavimas būtų atliktas neteisingai. Kampų šablonas visada turi sutapti su pjovimo disko pagrindu.

7.4.1 Vertikalaus posvyrio kampo tikrinimas

1. Stumkite atgal pjovimo galvutę iki galo (nuo savęs).
2. Gylio ribotuvo atraminę plokštelę nustatykite taip, kad nuleidžiant pjovimo galvutę gylio ribotuvus praeitų pro angą. → psl. 173
3. Nustatykite horizontalų posvyrio kampą 0°.
4. Spauskite pjovimo galvutę žemyn ir įstumkite transportinės apsaugos įtaisą, kad užfiksuotumėte pjovimo galvutę.
5. Nustatykite vertikalų posvyrio kampą 0°.
6. Kampų šabloną nustatykite į padėtį 90°.
7. Pastatykite kampų šabloną vertikaliai ir priglauskite prie pjovimo disko.
8. Kampų šabloną pristumkite prie pjovimo disko.
 - ▶ Kampų šablonas turi būti priglundęs prie pjovimo disko visoje linijoje.



- Nustatykite vertikalių posvyrio kampą 45° dešinėn.
- Kampų šabloną nustatykite į 45° padėtį (pasirinktinai į 135° padėtį matuojant iš kairės pusės).
- Pastatykite kampų šabloną vertikaliai ir priglauskite prie pjovimo disko.
- Kampų šabloną pristumkite prie pjovimo disko.
 - Kampų šablonas turi būti prigludęs prie pjovimo disko visoje linijoje.
- Pakartokite veiksmus vertikaliajam posvyrio kampui 45° kairėn.

Rezultatas 1 / 2

Kampų šablonas turi būti prigludęs prie pjovimo disko visoje linijoje atliekant visus tris matavimus.

- Pjovimo staklės yra tinkamai sureguliuotos.

Rezultatas 2 / 2

Kampų šablonas ir pjovimo diskas vieno arba kelių matavimų metu nėra prigludę vienas prie kito.

- Kreipkitės į **Hilti** techninės priežiūros centrą.

7.4.2 Vertikalaus posvyrio kampo rodyklės reguliavimas 19

- Patikrinkite vertikalaus posvyrio kampo tikslų tikslumą. → psl. 179
- Nustatykite vertikalių posvyrio kampą 0°.
- Atskirkite vertikalaus posvyrio kampo rodyklės tvirtinimo varžtą ir nustatykite jį tiksliai į padėtį 0°.
- Vėl ranka priveržkite tvirtinimo varžtą. Priverždami rodyklę laikykite tiksliai ties rodmeniu 0°.
- Jei reikia, pakartokite veiksmą vertikalaus posvyrio kampo antrajai rodyklei.
- Patikrinkite faktinio vertikalaus posvyrio kampo ir kampo 45° dešinėn ir kampo 45° kairėn abiejų rodyklių atitikimą.
 - Jei tikrinant vienoje arba keliuose vietose rodyklė nesutampa su faktiniu kampu ir nepavyksta pakankamai sureguliuoti, kreipkitės į **Hilti** techninės priežiūros centrą.

7.4.3 Horizontalaus posvyrio kampo tikrinimas

- Stumkite atgal pjovimo galvutę iki galo (nuo savęs).
- Gylio ribotuvo atraminę plokštelę nustatykite taip, kad nuleidžiant pjovimo galvutę gylio ribotuvą praeitų pro angą. → psl. 173
- Nustatykite vertikalių posvyrio kampą 0°.
- Spauskite pjovimo galvutę žemyn ir įstumkite transportinės apsaugos įtaisą, kad užfiksuotumėte pjovimo galvutę.
- Nustatykite horizontalių posvyrio kampą 0°.
- Kampų šabloną nustatykite į padėtį 90°.
- Kampų šabloną padėkite ant pjovimo stalo ir priglauskite prie ribotuvo.
- Kampų šabloną pristumkite prie pjovimo disko.
 - Kampų šablonas turi būti prigludęs prie pjovimo disko visoje linijoje.
- Nustatykite horizontalių posvyrio kampą 45° dešinėn.
- Kampų šabloną nustatykite į 45° padėtį (pasirinktinai į 135° padėtį matuojant iš kairės pusės).
- Kampų šabloną padėkite ant pjovimo stalo ir priglauskite prie ribotuvo.
- Kampų šabloną pristumkite prie pjovimo disko.
 - Kampų šablonas turi būti prigludęs prie pjovimo disko visoje linijoje.
- Pakartokite veiksmus horizontaliam posvyrio kampui 45° kairėn.

Rezultatas 1 / 2

Kampų šablonas turi būti prigludęs prie pjovimo disko visoje linijoje atliekant visus tris matavimus.

- Pjovimo staklės yra tinkamai sureguliuotos.

Rezultatas 2 / 2

Kampų šablonas ir pjovimo diskas vieno arba kelių matavimų metu nėra prigludę vienas prie kito.

- Reguliuokite horizontalių posvyrio kampą arba kreipkitės į **Hilti** techninės priežiūros centrą. → psl. 180

7.4.4 Horizontalaus posvyrio kampo ir skalės reguliavimas 20

- Sukamąjį diską užfiksuokite padėtyje 0°.
- Atlaisvinkite sukamojo disko fiksavimo rankenėlę.
- Atskirkite horizontalaus posvyrio kampo skalės tvirtinimo varžtus.
- Kampų šabloną nustatykite į padėtį 90°.
- Kampų šabloną padėkite ant pjovimo stalo ir priglauskite prie ribotuvo.



- Kampų šabloną pristumkite prie pjovimo disko. Reguluokite sukamąjį diską ir horizontalaus posvyrio kampo skalę pagal kampų šabloną.
 - Kampų šablonas turi būti prigludęs prie pjovimo disko visoje linijoje.
- Priveržkite sukamojo disko fiksavimo rankeną, kad sukamasis diskas nejudėtų.
- Priveržkite horizontalaus posvyrio kampo skalės tvirtinimo varžtus.
- Patikrinkite horizontalų posvyrio kampa 45° dešinėn ir 45° kairėn. → psl. 180

Rezultatas 1 / 2

Esant horizontaliems posvyrio kampams 45° dešinėn ir 45° kairėn, kampų šablonas turi būti prigludęs prie pjovimo disko visoje linijoje.

- Pjovimo staklės yra tinkamai sureguliuotos.

Rezultatas 2 / 2

Kampų šablonas ir pjovimo diskas vieno arba kelių matavimų metu nėra prigludę vienas prie kito.

- Kreipkitės į **Hilti** techninės priežiūros centrą.

7.4.5 Horizontalaus posvyrio kampo rodyklės reguliavimas **21**

- Patikrinkite horizontalaus posvyrio kampo tikslų tikslumą. → psl. 180
- Jei reikia, reguliuokite horizontalų posvyrio kampa. → psl. 180
- Nustatykite horizontalų posvyrio kampa 0°.
- Atsukite horizontalaus posvyrio kampo rodyklės tvirtinimo varžtą ir nustatykite ją tiksliai į padėtį 0°.
- Vėl ranka priveržkite tvirtinimo varžtą. Priverždami rodyklę laikykite tiksliai ties rodmeniu 0°.
- Jei reikia, pakartokite veiksmą horizontalaus posvyrio kampo antrajai rodyklei.
- Patikrinkite faktinio horizontalaus posvyrio kampo ir kampo 45° dešinėn ir kampo 45° kairėn abiejų rodyklių atitikimą.
 - Jei tikrinant vienoje arba keliose vietose rodyklė nesutampa su faktiniu kampu ir nepavyksta pakankamai sureguliuoti, kreipkitės į **Hilti** techninės priežiūros centrą.

7.5 Dulkių rinktuvo keitimas **22**

ĮSPĖJIMAS

Sužalojimo pavojus dėl netinkamai sumontuoto kreipiklio. Jei kreipiklis netinkamai sumontuotas, pjovimo diskas gali įstrigti. Kreipiklis arba pjovimo diskas gali lūžti ir lūžusios dalys gali būti išsviedžiamos.

- Montuodami kreipiklį stebėkite, kad jis būtų tinkamai įmontuotas. Kreipiklio spyruoklinė dalis turi būti nukreipta nuo pjovimo disko.

- Atlaisvinkite tvirtinimo varžtus **(1)** vienoje pusėje ir kreipiklį **(3)**.
- Atsukite tvirtinimo varžtus priešingoje pusėje ir nuimkite antrąjį kreipiklį ir dulkių rinktuvą **(2)**.
- Pridėkite naują dulkių rinktuvą **(2)** ir vieną kreipiklį **(3)**.
 - Atkreipkite dėmesį į tinkamą kreipiklio padėtį.
- Abi dalis priveržkite tvirtinimo varžtais.
- Priveržkite antrąjį kreiptuvą ir dulkių rinktuvą priešingoje pusėje.
 - Atkreipkite dėmesį į tinkamą kreipiklio padėtį.
 - Patikrinkite, ar dulkių rinktuvas ir abu kreiptuvai tvirtai laikosi.

7.6 Plyšio plokštelių keitimas **23**

Gamykloje plyšio plokštelės nustatytos taip, kad jos nesiliečia su pjovimo disku. Tačiau plyšio plokštelės truputį dyla. **Hilti** siūlo plyšio plokšteles kaip atsargines dalis. Naudotojas jas gali greitai ir nesudėtingai pakeisti.

- Atsukite visus plyšio plokštelės tvirtinimo varžtus ir jas išimkite.
- Įdėkite naujas plyšio plokšteles.
- Nestipriai priveržkite tvirtinimo varžtus, kad plyšio plokštelės dar galėtų judėti.
- Nustatykite plyšio plokštelių padėtį taip, kad pjovimo diskas su jomis nesiliestų.
 - Visų pirma patikrinkite maksimalius vertikalius posvyrio kampus dešinėn ir kairėje.
 - Taip pat patikrinkite visus kitus horizontalius ir vertikalius posvyrio kampus.
- Po sėkmingo nustatymo ranka priveržkite visus tvirtinimo varžtus.



Skersinio pjovimo staklių transportavimas

Prieš transportuodami pjovimo stakles atlikite šiuos veiksmus:

- ▶ Stumkite atgal pjovimo galvutę iki galo (nuo savęs).
- ▶ Užfiksukite ištraukimo įtaisą. → psl. 173
- ▶ Gylio ribotuvo atraminę plokštelę nustatykite taip, kad nuleidžiant pjovimo galvutę gylio ribotuvus praeitų pro angą. → psl. 173
- ▶ Nustatykite vertikalių posvyrio kampą 0°.
- ▶ Spauskite pjovimo galvutę žemyn ir įstumkite transportinės apsaugos įtaisą, kad užfiksuotumėte pjovimo galvutę.
- ▶ Jei reikia, papildomas atramas įstumkite visiškai į vidų. → psl. 174
- ▶ Nustatykite horizontalų posvyrio kampą iki galo į dešinę (60°) ir užfiksukite sukamąjį diską.
- ▶ Pašalinkite visus priedus (pvz., veržtuvą), kurių negalima tvirtai sumontuoti prie pjovimo staklių.
- ▶ Jei reikia, išmontuokite fiksavimo rankenėlę ir įstatykite ją į vieną iš laikiklių viršutinio ribotuvo užpakalinėje pusėje.

Pjovimo stakles neškite laikydami tik už tam skirtų vietų:

- išėmų po papildomomis atramomis **(1)**,
- išėmos užpakalinėje pusėje šalia dulkių nusiurbimo įtaiso **(2)**,
- rankenos ant pjovimo galvutės **(3)**.

Akumuliatorių transportavimas

ATSARGIAI
Atsitiktinis įjungimas transportuojant !

- ▶ Savo prietaisus visada transportuokite tik išėmę akumuliatorius!
- ▶ Išimkite akumuliatorių / akumuliatorius.
- ▶ Akumuliatorių niekada netransportuokite sumetę į krūvą su kitais daiktais. Transportuojamus akumuliatorius būtina saugoti nuo stiprių smūgių ir vibracijos, taip pat izoliuoti nuo bet kokių elektrai laidžių medžiagų ir kitų akumuliatorių, kad jie nesilieštų su kitų akumuliatorių poliais ir nesukeltų trumpojo jungimo. **Laikykitės eksploataavimo vietoje galiojančių akumuliatorių transportavimo direktyvų.**
- ▶ Akumuliatorius draudžiama siųsti paštu. Jei norite siųsti nepažeistus akumuliatorius, kreipkitės į pervežimų įmonę.
- ▶ Prieš kiekvieną naudojimą ir po ilgesnio transportavimo patikrinkite, ar prietaisai ir akumuliatoriai nepažeisti.

Laikymas

ISPĖJIMAS
Atsitiktinis pažeidimas dėl sugedusių ar išsiliejusių akumuliatorių !

- ▶ Savo prietaisus visada laikykite tik išėmę akumuliatorius!
- ▶ Prietaisai ir akumuliatorių laikykite vėsioje ir sausoje vietoje. Atkreipkite dėmesį į ribines temperatūros vertes, nurodytas skyriuje „Techniniai duomenys“.
- ▶ Akumuliatoriaus nelaikykite ant kroviklio. Akumuliatorių visada nuimkite nuo kroviklio po įkrovimo proceso.
- ▶ Nelaikykite akumuliatoriaus saulėje, ant šilumos šaltinių ar už lango stiklo.
- ▶ Prietaisą ir akumuliatorių laikykite vaikams bei negaliojantiems asmenims neprieinamoje vietoje.
- ▶ Prieš kiekvieną naudojimą ir po ilgesnio laikymo patikrinkite, ar prietaisai ir akumuliatoriai nepažeisti.

9 Pagalba sutrikus veikimui

Visais sutrikimų atvejais atkreipkite dėmesį į akumuliatoriaus būsenos rodmenį. Žr. skyrių **Ličio jonų akumuliatoriaus rodmenys**.

Pasitaikius sutrikimų, kurie neaprašyti šioje lentelėje arba kurių negalite pašalinti patys, kreipkitės į **Hilti** techninės priežiūros centrą.

Sutrikimas	Galima priežastis	Sprendimas
Staiga stipriai sumažėja sukimosi greitis.	Akumuliatorius išsikrovęs.	▶ Akumuliatorių įkraukite.
	Per didelė pastūmos jėga.	▶ Pastūmos jėgą sumažinkite ir prietaisą vėl įjunkite.



Sutrikimas	Galima priežastis	Sprendimas
Pjovimo diskas nesisuka.	Per didelė pastūmos jėga.	► Pastūmos jėgą sumažinkite ir prietaisą vėl įjunkite.
Neveikia variklio stabdymo funkcija.	Akumulatorius išsikrovęs.	► Akumuliatorių įkraukite.
Pjovimo kampai yra netikslūs.	Pakoreguoti kampo tikslumas, skalės ir rodyklės.	► Patikrinkite ir reguliuokite nustatymus ir rodmenis. → psl. 179 ► Jei patys negalite reguliuoti nustatymo arba pjovimo staklių tikslumas skiriasi per daug, kreipkitės į Hilti techninės priežiūros centrą.
Akumulatoriaus šviesos diodai nieko nerodo	Akumulatorius yra sugedęs	► Kreipkitės į Hilti techninės priežiūros centrą.

10 Utilizavimas

ĮSPĖJIMAS

Sužalojimo pavojus dėl netinkamo utilizavimo! Išeinančios dujos ir ištekantis skystis kelia pavojų sveikatai.

- Pažeistų akumuliatorių nesiųskite paštu ir nepervežkite!
- Kad būtų išvengta trumpojo jungimo, jungtis uždenkite elektra nelaidžia medžiaga.
- Akumulatorius utilizuokite taip, kad jie negalėtų patekti į vaikų rankas.
- Akumuliatorių pristatykite utilizuoti į savo **Hilti Store** arba kreipkitės į vietinę kompetentingą utilizavimo įmonę.

Didelė **Hilti** prietaisų dalis yra pagaminta iš medžiagų, kurias galima perdirbti. Būtina antrinio perdirbimo sąlyga yra tinkamas medžiagų išrūšavimas. Daugelyje šalių **Hilti** priims Jūsų nebenaudojamą prietaisą perdirbti. Apie tai galite pasiteirauti artimiausiam **Hilti** techninės priežiūros centre arba savo prekybos konsultanto.



- Elektrinių įrankių, elektroninių prietaisų ir akumuliatorių neišmeskite į buitinius šiukšlynus!

11 Gamintojo teikiama garantija

- Kilus klausimų dėl garantijos sąlygų, kreipkitės į vietinį **Hilti** partnerį.

12 Daugiau informacijos

Daugiau informacijos apie valdymą, techniką, aplinką ir perdirbimą rasite šiuo adresu: qr.hilti.com/manual/?id=2395172&id=2395174

Šią sąsają, kaip QR kodą, taip pat rasite naudojimo instrukcijos gale.

Перевод оригинального руководства по эксплуатации

1 Данные руководства по эксплуатации

1.1 К настоящему руководству по эксплуатации



Импортер и уполномоченная изготовителем организация

- (RU) Российская Федерация
АО "Хилти Дистрибьюшн ЛТД", 141402, Московская область, г. Химки, ул. Ленинградская, стр. 25, комната 15.26



- (BY) Республика Беларусь
ИООО "Хилти БиУай", 222750, Минская область, Дзержинский район, Р-1, 18-й км, 2 (около д. Слободка), помещение 1-34
- (KZ) Республика Казахстан
ТОО "Хилти Казахстан", 050057, г. Алматы, Бостандыкский район, ул. Тимирязева, дом 42/15, литер 012 (корпус15)
- (AM) Республика Армения
ООО "ЭЙЧ-КОН", 0070, г. Ереван, ул. Ерванда Кочара 19/28


Страна производства: см. маркировочную табличку на оборудовании.

Дата производства: см. маркировочную табличку на оборудовании.

Соответствующий сертификат можно найти по адресу: www.hilti.ru

Специальных требований к условиям хранения, транспортировки и использования, кроме указанных в руководстве по эксплуатации, нет.

Срок службы изделия составляет 5 лет.

- **Предупреждение!** Перед использованием изделия убедитесь в том, что вы полностью изучили прилагаемое к нему руководство по эксплуатации, включая приводимые там инструкции, указания по технике безопасности и предупреждения, иллюстрации и технические характеристики. В частности, ознакомьтесь со всеми инструкциями, указаниями по технике безопасности и предупреждениями, иллюстрациями, техническими характеристиками, а также компонентами и функциями. Несоблюдение этих требований может привести к поражению электрическим током, возгоранию и/или серьезным травмам. Храните руководство по эксплуатации, включая все инструкции, указания по технике безопасности и предупреждения, для последующего использования.
- Прилагаемое руководство по эксплуатации соответствует уровню технического прогресса на момент сдачи в печать. Актуальная версия всегда доступна в режиме онлайн на веб-сайте Hilti с описанием изделия. Для этого перейдите по ссылке или QR-коду, приводимым в настоящем руководстве по эксплуатации с обозначением символом .
- При смене владельца обязательно передавайте настоящее руководство по эксплуатации вместе с изделием.

1.2 Пояснение к знакам

1.2.1 Предупреждающие указания

Предупреждающие указания служат для предупреждения об опасностях при обращении с изделием. Используются следующие сигнальные слова:

ОПАСНО

ОПАСНО !

- ▶ Общее обозначение непосредственной опасной ситуации, которая влечет за собой тяжелые травмы или смертельный исход.

ПРЕДУПРЕЖДЕНИЕ

ПРЕДУПРЕЖДЕНИЕ !

- ▶ Общее обозначение потенциально опасной ситуации, которая может повлечь за собой тяжелые травмы или смертельный исход.

ОСТОРОЖНО

ОСТОРОЖНО !

- ▶ Общее обозначение потенциально опасной ситуации, которая может повлечь за собой травмы или повреждение оборудования (материальный ущерб).

1.2.2 Символы, используемые в руководстве

В этом руководстве используются следующие символы:



Соблюдать руководство по эксплуатации



Указания по эксплуатации и другая полезная информация



	Обращение с материалами, пригодными для вторичной переработки
	Не выбрасывайте электроинструменты и аккумуляторы вместе с бытовым мусором!
	Литий-ионный аккумулятор (Li-Ion) Hilti
	Зарядное устройство Hilti

1.2.3 Символы на изображениях

На изображениях используются следующие символы:

	Эти цифры указывают на соответствующее изображение в начале данного руководства.
	Нумерация на иллюстрациях указывает на важные рабочие операции или на компоненты (детали), важные для рабочих операций. В тексте эти рабочие операции или компоненты выделены соответствующими номерами, например (3).
	Номера позиций используются в обзорном изображении. В обзоре изделия они указывают на номера в экспликации.
	Этот знак должен привлечь особое внимание пользователя при обращении с изделием.

1.3 Символы в зависимости от изделия

1.3.1 Общие символы

Символы, используемые с этим изделием.

	Изделие поддерживает технологию NFC, совместимую с платформами iOS и Android.
	Постоянный ток
n_0	Номинальная частота вращения на холостом ходу
\varnothing	Диаметр
	Габаритные размеры режущего круга
	Не смотреть в источник света.
Li-Ion	Литий-ионный аккумулятор
	Никогда не бейте по аккумулятору какими-либо предметами и никогда не используйте аккумулятор в качестве инструмента для нанесения ударов!
	Не допускайте падения аккумулятора. Не используйте аккумулятор, который получил повреждения вследствие удара или каким-либо иным образом.

1.3.2 Запрещающие знаки

Запрещающие знаки указывают на запрещенные действия.

	Опасная зона! Держите руки (кисти, пальцы и предплечья) на безопасном расстоянии от этой зоны.
--	--

1.3.3 Предписывающие знаки

Предписывающие знаки указывают на обязательные действия/операции.

	Используйте защитные наушники!
	Используйте защитные очки!



1.4 Информация об изделии

Изделия предназначены для профессионального использования, поэтому они должны обслуживаться и ремонтироваться только уполномоченным и обученным персоналом. Этот персонал должен пройти специальный инструктаж по технике безопасности. Использование изделия и его оснстки не по назначению или его эксплуатация необученным персоналом могут представлять опасность.

Типовое обозначение и серийный номер указаны на заводской табличке.

- ▶ Перепишите серийный номер в нижеприведенную табличную форму. Данные изделия необходимы при обращении в наше представительство или сервисный центр.

Указания к изделию

Аккумуляторная торцовочно-усорезная пила	SM 60-22
Поколение	01
Серийный №	

1.5 Декларация соответствия нормам

Настоящим фирма-изготовитель с полной ответственностью заявляет, что данное изделие соответствует действующим директивам и нормам. Копию декларации соответствия нормам см. в конце этого документа.

Техническая документация (оригиналы) хранится здесь:

Hilti Entwicklungsgesellschaft mbH | Zulassung Geräte | Hiltistraße 6 | 86916 Kaufering, Германия

2 Безопасность

2.1 Общие указания по технике безопасности для электроинструментов

⚠ ПРЕДУПРЕЖДЕНИЕ Изучите все указания по технике безопасности, инструкции, иллюстрации и технические данные, которые прилагаются к данному электроинструменту. Несоблюдение приводимых ниже указаний может привести к поражению электрическим током, пожару и/или тяжелым травмам.

Сохраните все указания по технике безопасности и инструкции для следующего пользователя.

Используемый далее термин «электроинструмент» относится к электроинструменту, работающему от электрической сети (с кабелем электропитания) и от аккумулятора (без кабеля электропитания).

Безопасность рабочего места

- ▶ Следите за чистой и хорошей освещенностью на рабочем месте. Беспорядок на рабочем месте или плохое освещение могут привести к несчастным случаям.
- ▶ Не используйте электроустройство/электроинструмент во взрывоопасной зоне, где имеются горючие жидкости, газы или пыль. При работе электроустройство/электроинструмент искрит, и искры могут воспламенить пыль или пары/газы.
- ▶ Не разрешайте детям и посторонним приближаться к работающему электроустройству/электроинструменту. Отвлекаясь от работы, можно потерять контроль над электроустройством/электроинструментом.

Электрическая безопасность

- ▶ Соединительная вилка электроинструмента должна соответствовать розетке электросети. Не изменяйте конструкцию вилки! Не используйте переходные вилки с электроинструментами с защитным заземлением. Использование оригинальных вилок и соответствующих им розеток снижает риск поражения электрическим током.
- ▶ Избегайте непосредственного контакта с заземленными поверхностями, например с трубами, отопительными приборами, газо-/электропластинами и холодильниками. При контакте с заземленными предметами возникает повышенный риск поражения электрическим током.
- ▶ Предохраняйте электроинструменты от дождя или воздействия влаги. В результате попадания воды в электроинструмент возрастает риск поражения электрическим током.
- ▶ Не используйте кабель электропитания не по назначению, например для переноски электроинструмента, его подвешивания или для выдергивания вилки из розетки электросети. Защищайте кабель электропитания от воздействий высоких температур, масла, острых кромок или вращающихся деталей/узлов. В результате повреждения или схлестывания кабелей электропитания повышается риск поражения электрическим током.
- ▶ Если работы с электроинструментом выполняются на открытом воздухе, применяйте только удлинительные кабели, которые разрешено использовать вне помещений. Использование



удлинительного кабеля, пригодного для использования вне помещений, снижает риск поражения электрическим током.

- ▶ **Если избежать работы с электроинструментом в условиях влажности не представляется возможным, используйте автомат защиты от тока утечки.** Использование автомата защиты от тока утечки снижает риск поражения электрическим током.

Безопасность персонала

- ▶ **Будьте внимательны, следите за своими действиями и серьезно относитесь к работе с электроинструментом. Не пользуйтесь электроинструментом, если вы устали или находитесь под действием наркотиков, алкоголя или медикаментов.** Незначительная ошибка при невнимательной работе с электроинструментом может стать причиной серьезного травмирования.
- ▶ **Используйте средства индивидуальной защиты и всегда надевайте защитные очки.** Использование средств индивидуальной защиты, например респиратора, защитной обуви на нескользящей подошве, защитной каски или защитных наушников, в зависимости от вида и условий эксплуатации электроинструмента, снижает риск травмирования.
- ▶ **Избегайте непреднамеренного включения электроинструмента. Убедитесь в том, что электроинструмент выключен, прежде чем подключить его к электропитанию и/или вставить аккумулятор, поднимать или переносить электроинструмент.** Ситуации, когда при переносе электроинструмента палец находится на выключателе или когда включенный электроинструмент подключается к электросети, могут привести к несчастным случаям.
- ▶ **Перед включением электроинструмента удалите регулировочные приспособления или гаечные ключи.** Рабочий инструмент или гаечный ключ, находящийся во вращающейся части электроинструмента, может стать причиной получения травм.
- ▶ **Старайтесь избегать неестественных поз при работе. Постоянно сохраняйте устойчивое положение и равновесие.** Это позволит лучше контролировать электроинструмент в непредвиденных ситуациях.
- ▶ **Носите спецодежду. Не надевайте очень свободную одежду или украшения.** Оберегайте волосы, одежду и защитные перчатки от вращающихся узлов электроинструмента. Свободная одежда, украшения и длинные волосы могут быть захвачены ими.
- ▶ **Если предусмотрено подсоединение устройств для удаления и сбора пыли, убедитесь в том, что они подсоединены и используются по назначению.** Использование пылеудаляющего аппарата снижает вредное воздействие пыли.
- ▶ **Не пребывайте в ложной уверенности в собственной безопасности и не пренебрегайте правилами техники безопасности для электроинструментов, даже если вы являетесь опытным пользователем электроинструмента.** Неосторожное обращение может в течение долей секунды стать причиной получения тяжелых травм.

Использование и обслуживание электроинструмента

- ▶ **Не допускайте перегрузки электроинструмента. Используйте электроинструмент, предназначенный именно для данной работы.** Соблюдение этого правила обеспечит более высокое качество и безопасное для работы в указанном диапазоне мощности.
- ▶ **Не используйте электроинструмент с неисправным выключателем.** Электроинструмент, включение или выключение которого затруднено, представляет опасность и должен быть отремонтирован.
- ▶ **Прежде чем приступить к регулировке электроинструмента, замене принадлежностей или перед перерывом в работе выньте вилку из розетки и/или аккумулятор из электроинструмента.** Данная мера предосторожности позволит предотвратить непреднамеренное включение электроинструмента.
- ▶ **Храните неиспользуемые электроинструменты в местах, недоступных для детей. Не позволяйте использовать электроинструмент лицам, которые не ознакомлены с ним или не читали эти инструкции.** Электроинструменты представляют собой опасность в руках неопытных пользователей.
- ▶ **Бережно обращайтесь с электроинструментами и принадлежностями. Проверяйте безупречное функционирование подвижных частей, легкость их хода, целостность и отсутствие повреждений, которые могли бы отрицательно повлиять на работу электроинструмента. Сдавайте поврежденные части электроинструмента в ремонт до его использования.** Причиной многих несчастных случаев является несоблюдение правил технического обслуживания электроинструментов.
- ▶ **Необходимо следить за тем, чтобы режущие инструменты были острыми и чистыми.** Затачивание содержащихся в надлежащем состоянии режущих инструментов происходит реже, ими легче управлять.
- ▶ **Применяйте электроинструмент, принадлежности (оснастку), рабочие инструменты и т. д. согласно данным указаниям.** Учитывайте при этом рабочие условия и характер выполняемой



работы. Использование электроинструментов не по назначению может привести к опасным ситуациям.

- ▶ **Замасленные рукоятки и поверхности для хвата немедленно очищайте** — они должны быть сухими и чистыми. Скользкие рукоятки и поверхности для хвата не обеспечивают безопасное управление и контроль электроинструмента в непредвиденных ситуациях.

Использование и обслуживание аккумуляторного инструмента

- ▶ **Заряжайте аккумуляторы только с помощью зарядных устройств, рекомендованных изготовителем.** При использовании зарядного устройства для зарядки несоответствующих ему типов аккумуляторов существует опасность возгорания.
- ▶ **Используйте только оригинальные аккумуляторы, рекомендованные специально для этого электроинструмента.** Использование других аккумуляторов может привести к травмам и опасности возгорания.
- ▶ **Неиспользуемые аккумуляторы храните вдали от скрепок, монет, ключей, гвоздей, шурупов или других мелких металлических предметов, которые могут стать причиной замыкания контактов.** Замыкание контактов аккумулятора может привести к ожогам или возгоранию.
- ▶ **При неверном обращении с аккумулятором из него может вытечь электролит.** Избегайте контакта с ним. При случайном контакте смойте водой. При попадании электролита в глаза немедленно обратитесь за помощью к врачу. Вытекший из аккумулятора электролит может привести к раздражению кожи или ожогам.
- ▶ **Не используйте поврежденный или измененный аккумулятор.** Поврежденные или измененные аккумуляторы могут функционировать непредсказуемо и стать причиной возгорания, взрыва или травмирования.
- ▶ **Не подвергайте аккумулятор воздействию огня или слишком высоким температурам.** Огонь или температура свыше 130 °C могут спровоцировать взрыв аккумулятора.
- ▶ **Соблюдайте все указания по зарядке и никогда не заряжайте аккумулятор или аккумуляторный инструмент вне температурного диапазона, указанного в руководстве по эксплуатации.** Неправильная зарядка/зарядка вне указанного в руководстве по эксплуатации температурного диапазона могут привести к разрушению аккумулятора и повышают опасность возгорания.

Сервис

- ▶ **Доверяйте ремонт своего электроинструмента только квалифицированному персоналу, использующему только оригинальные запчасти.** Этим обеспечивается поддержание электроинструмента в безопасном состоянии.
- ▶ **Категорически запрещается выполнять обслуживание поврежденных аккумуляторов.** Все технические работы с аккумуляторами должны выполняться только производителем или авторизованными сервисными мастерскими.

2.2 Указания по технике безопасности при использовании торцовочно-усорезных пил

- ▶ **Торцовочно-усорезные пилы предназначены для резки древесины или древесных материалов, их нельзя использовать для резки предметов из железа, таких как прутки, стержни, шурупы и т. д.** Абразивная пыль приводит к блокировке подвижных частей, таких как нижний защитный круг. Возникающие при резке искры обжигают нижний защитный круг, вставную пластину и другие детали из пластмассы.
- ▶ **По возможности фиксируйте заготовку струбцинами.** Удерживая заготовку вручную, всегда держите руку на расстоянии не менее 100 мм от каждой стороны режущего круга. Не используйте эту пилу для резки деталей слишком малых размеров, которые не позволяют зажимать или удерживать заготовки вручную. Если ваша рука будет находиться слишком близко к режущему кругу, существует повышенный риск получения травм при контакте с режущим кругом.
- ▶ **Заготовка должна быть неподвижной — либо зажата, либо прижата к упору и столу.** Не надвигайте заготовку на режущий круг и никогда не режьте ее «без рук». Незакрепленные или движущиеся заготовки могут быть отброшены в сторону с высокой скоростью и стать причиной травмирования.
- ▶ **Толкайте пилу через заготовку.** Не протягивайте пилу через заготовку. Чтобы выполнить рез, поднимите верхнюю часть пилы и протяните ее через заготовку, не разрезая. Затем включите двигатель, отведите верхнюю часть пилы вниз и толкайте пилу через заготовку. При выполнении реза с протяжкой существует риск того, что режущий круг приподнимется над заготовкой и блок с режущим кругом будет резко отброшен в сторону оператора.
- ▶ **Никогда не перекрывайте рукой намеченную линию реза ни перед режущим кругом, ни позади него!** Поддерживать заготовку «скрещенными руками», т. е. удерживать заготовку справа от режущего круга левой рукой или наоборот, очень опасно.



- ▶ **Когда режущий круг вращается, не хватайтесь рукой за упор. Не допускайте уменьшения безопасного расстояния 100 мм между рукой и вращающимся режущим кругом (относится к обеим сторонам круга, например, при удалении древесных отходов).** Близкое расположение вращающегося режущего круга к вашей руке может остаться незамеченным, и вы можете получить серьезную травму.
- ▶ **Проверяйте заготовку перед резкой. Если заготовка погнута или деформирована, зажмите ее до упора выгнутой стороной наружу. Всегда следите за тем, чтобы между заготовкой, упором и столом по линии реза не было зазоров.** Согнутые (искривленные) или деформированные заготовки могут перекашиваться или смещаться, что, в свою очередь, может приводить к заклиниванию вращающегося режущего круга во время резки. В заготовке не должно быть гвоздей или других посторонних предметов.
- ▶ **Не используйте пилу до тех пор, пока на столе находятся инструменты, древесные отходы и т. д.; на столе должна находиться только заготовка.** Мелкий мусор, части древесных материалов или другие предметы, вступающие в контакт с вращающимся режущим кругом, могут отбрасываться в стороны с высокой скоростью.
- ▶ **За один раз разрежьте только одну заготовку.** Заготовки, уложенные в штабель, невозможно зажать или удерживать надлежащим образом, что может привести к заклиниванию режущего круга или к его сходу во время резки.
- ▶ **Перед использованием убедитесь в том, что торцовочно-усорезная пила находится на ровной и прочной рабочей поверхности.** Прочная и ровная рабочая поверхность снижает риск потери стабильного положения торцовочно-усорезной пилы.
- ▶ **Планируйте свою работу. Каждый раз, когда вы регулируете наклон режущего круга или выставляете угол скоса, проверяйте, что регулируемый упор правильно отрегулирован и поддерживает заготовку, не соприкасаясь с режущим кругом или защитным кожухом.** Не включая пилу и без уложенной заготовки на столе необходимо смоделировать полное режущее движение режущего круга, чтобы убедиться в отсутствии помех или риска врезания круга в упор.
- ▶ **Для заготовок, ширина или длина которых превышает верхнюю часть стола, обеспечьте соответствующую опору, например, с помощью удлинительных элементов стола или используя козлы.** Заготовки, длина или ширина которых больше, чем у стола торцовочно-усорезной пилы, могут опрокинуться, если не обеспечить их надежное опирание. Если отрезанная часть древесины или заготовка опрокинется, она может приподнять нижний защитный кожух или бесконтрольно отлететь в сторону от вращающегося круга.
- ▶ **Не привлекайте других людей в качестве замены удлинительного элемента стола или для дополнительной поддержки заготовки.** Нестабильная опора заготовки может привести к заклиниванию круга. Заготовка также может смещаться во время резки и затягивать вас и помощника в направлении режущего круга.
- ▶ **Отрезанная часть не должна прижиматься к вращающемуся режущему кругу.** В случае недостаточного свободного места, например, при использовании продольных упоров, отрезанная часть может заклинить круг и с силой отлететь в сторону.
- ▶ **Всегда используйте струбцину или подходящее приспособление для надлежащей поддержки круглых заготовок, таких как прутки или трубы.** Прутки могут перекачиваться при резке, что может приводить к «закусыванию» круга и, как следствие, втягиванию вашей руки в направлении круга.
- ▶ **Прежде чем начинать резать заготовку, дайте кругу набрать полную скорость.** Это снижает риск отбрасывания заготовки.
- ▶ **Если заготовка застряла или заклинило режущий круг, выключите торцовочно-усорезную пилу. Подождите, пока все движущиеся части не остановятся полностью, отсоедините вилку сетевого кабеля или извлеките аккумулятор. Затем удалите застрявшую заготовку.** Если продолжить резку при возникновении подобной блокировки, можно потерять контроль над пилой или повредить ее.
- ▶ **После завершения резки отпустите выключатель, опустите верхнюю часть пилы и подождите, пока круг не остановится, прежде чем убирать отрезанную часть.** Подносить руку к работающему на выбеге режущему кругу также очень опасно.
- ▶ **Надежно удерживайте рукоятку при незавершенном резе или при отпуске выключателя до того, как верхняя часть пилы достигнет своего нижнего положения.** Эффект торможения пилы может привести к резкому опрокидыванию верхней части пилы вниз, что, в свою очередь, может привести к травмированию.

2.3 Дополнительные указания по технике безопасности

- ▶ Используйте изделие и его принадлежности только в технически исправном состоянии.



- ▶ Внесение изменений в конструкцию изделия/принадлежностей или его/их модификация категорически запрещаются.
- ▶ Опасность травмирования вследствие падения рабочих (сменных) инструментов и/или принадлежностей. Перед началом работы убедитесь в том, что аккумулятор и установленная принадлежность надежно закреплены.
- ▶ Пыль, возникающая при шлифовании, абразивной обработке, резке и сверлении, может содержать опасные химические вещества. Несколько примеров материалов, содержащих опасные вещества: свинец или краски на свинцовой основе; кирпич, бетон и другие материалы для кладки, природный камень и другие силикатсодержащие материалы; определенные виды древесины, такие как дуб, бук и химически обработанная древесина; асбест или материалы, содержащие асбест. Определите степень воздействия на оператора и окружающих лиц по классу опасности обрабатываемых материалов. Примите необходимые меры для обеспечения безопасного уровня воздействия, например, путем использования подходящих систем пылеудаления или ношения подходящих средств защиты органов дыхания. Общие меры по снижению опасного воздействия:
 - ▶ Работайте в хорошо проветриваемом помещении.
 - ▶ Избегайте длительного контакта с пылью.
 - ▶ Удаляйте пыль с лица и тела.
 - ▶ Носите защитную одежду и промывайте открытые участки, подверженные воздействию, водой с мылом.
- ▶ При работе с изделием надевайте защитные очки, защитную каску, защитные наушники и подходящие респираторы.
- ▶ Чтобы во время работы руки не затекали, время от времени делайте перерывы и упражнения для расслабления и разминки пальцев. Возникающие при длительной работе вибрации могут привести к нарушениям кровоснабжения сосудов или в нервных окончаниях пальцев/кистей рук или в запястьях.
- ▶ Всегда следите за чистой вентиляционных прорезей. Опасность возгорания вследствие перекрытия вентиляционных прорезей!
- ▶ Не отпускайте рукоятку после того, как опустите верхнюю часть пилы. Всегда контролируемо возвращайте верхнюю часть пилы в верхнее положение. Если верхняя часть пилы будет передвигаться бесконтрольно, это может привести к травмированию.
- ▶ Не используйте тупые, имеющие трещины, погнутые или поврежденные режущие круги. Режущие круги с тупыми или неправильно разведенными зубьями способствуют появлению сильного трения, защемлению круга и появлению отдачи вследствие недостаточной ширины реза.
- ▶ Никогда не удаляйте обрезки, древесные опилки и т. д. из зоны резки во время работы с пилой! Сначала всегда выключайте пилу и отводите верхнюю часть пилы обратно в верхнее положение.
- ▶ Используйте только режущие круги, которые допущены для использования с этой пилой, соответствуют указаниям в технических данных и/или на самом изделии (например, диаметр, частота вращения, толщина, посадочное отверстие, материал и т. д.), протестированы и маркированы в соответствии со стандартом EN 847-1.
- ▶ Используйте только те режущие круги, допустимая частота вращения которых по меньшей мере соответствует максимальной частоте вращения, указанной на пиле.
- ▶ После завершения работы не прикасайтесь к режущему кругу, пока он не остынет. Режущий круг во время работы сильно нагревается.
- ▶ При замене режущего круга надевайте защитные перчатки.
- ▶ Перед каждым использованием проверяйте, правильно ли закрывается защитный кожух. Переместите верхнюю часть пилы вниз и контролируемым образом отведите ее обратно в верхнее положение. Не используйте пилу, если защитный кожух не перемещается свободно и не закрывается сразу при подъеме верхней части пилы. Никогда не фиксируйте нижний защитный кожух в открытом положении!
- ▶ Пользоваться изделием без защитного кожуха категорически запрещается.
- ▶ При резке алюминиевых профилей всегда запускайте пилу на низких оборотах.
- ▶ Всегда используйте и фиксируйте дополнительные опоры, прикрепленные к изделию.
- ▶ При транспортировке изделия берите его только за предназначенные для этого места (ручки-захваты и ручку для транспортировки). Никогда не переносите изделие за направляющую штангу или рукоятку. → страница 207
- ▶ Не допускайте перегрева вершин пильных зубьев. При резке пластика не допускайте его оплавления.



2.4 Аккуратное обращение с аккумуляторами и их правильное использование

- ▶ **Соблюдайте следующие указания по технике безопасности для безопасного обращения и использования литий-ионных аккумуляторов.** Их несоблюдение может привести к раздражениям кожи, серьезным травмам, химическим ожогам, возгоранию и/или взрывам.
- ▶ Используйте аккумуляторы только в технически исправном состоянии.
- ▶ Обращайтесь с аккумуляторами осторожно, чтобы не допустить повреждений и предотвратить выход жидкостей, представляющих серьезную опасность для здоровья!
- ▶ Категорически запрещается вносить изменения в конструкцию аккумуляторов или выполнять недопустимые манипуляции с ними!
- ▶ Запрещается разбирать, сдавливать, нагревать до температуры выше 80 °C (176 °F) или сжигать аккумуляторы.
- ▶ Не используйте или не заряжайте аккумуляторы, которые подвергались механическим (ударным) нагрузкам или получили повреждение каким-либо иным образом. Регулярно проверяйте используемые вами аккумуляторы на признаки повреждений.
- ▶ Категорически запрещается использовать восстановленные аккумуляторы или аккумуляторы после вторичной переработки.
- ▶ Категорически запрещается использовать аккумулятор или работающие от аккумулятора электроинструменты в качестве ударного инструмента.
- ▶ Категорически запрещается подвергать аккумуляторы воздействию прямого солнечного излучения, высокой температуры, искры или открытого пламени. Это может привести к взрывам.
- ▶ Не касайтесь аккумуляторных клемм (полюсов) пальцами, рабочими инструментами, украшениями или иными токопроводящими предметами. Это можно повредить аккумулятор, а также привести к материальному ущербу и травмам.
- ▶ Предохраняйте аккумуляторы от дождя, повышенной влажности и жидкостей. Проникшая влага может привести к коротким замыканиям, ударам электрическим током, ожогам, возгоранию или взрывам.
- ▶ Используйте только допущенные для данного типа аккумуляторов зарядные устройства и электроинструменты. Соблюдайте указания, приводимые в соответствующих руководствах по эксплуатации.
- ▶ Не используйте или не храните аккумулятор во взрывоопасных зонах.
- ▶ Слишком сильный нагрев аккумулятора (такой, что до него невозможно дотронуться) указывает на его возможный дефект. Разместите аккумулятор на безопасном расстоянии от воспламеняющихся материалов в хорошо просматриваемом и пожаробезопасном месте. Дайте остыть аккумулятору. Если по истечении одного часа аккумулятор все еще остается таким горячим, что его нельзя взять в руки, это означает, что он неисправен. Обратитесь в сервисную службу **Hilti** или изучите документ «Указания по технике безопасности и использованию литий-ионных аккумуляторов **Hilti**».



Соблюдайте специальные директивы по транспортировке, хранению и использованию литий-ионных аккумуляторов.

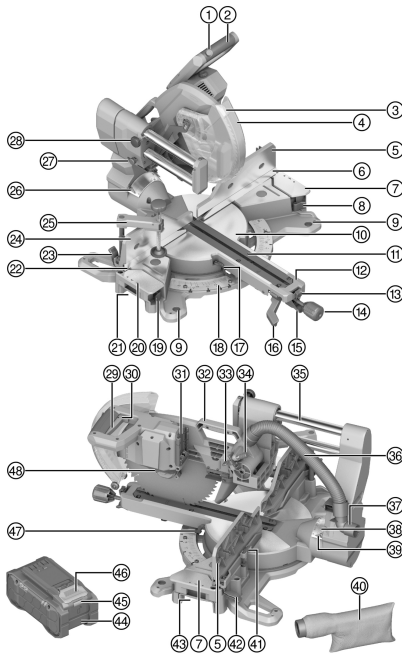
Ознакомьтесь с указаниями по технике безопасности и использованию литий-ионных аккумуляторов **Hilti**, которые можно посмотреть путем сканирования QR-кода в конце этого руководства по эксплуатации.





3 Описание

3.1 Обзор изделия 1



- ① Кнопка блокировки включения
- ② Рукоятка
- ③ Светодиодный индикатор
- ④ Защитный кожух
- ⑤ Верхний угловой упор справа
- ⑥ Нижний угловой упор справа
- ⑦ Дополнительная опора справа
- ⑧ Рычаг разблокировки дополнительной опоры справа
- ⑨ Крепежное отверстие
- ⑩ Поворотное основание
- ⑪ Шлицевые пластины
- ⑫ Рычаг поворотного основания
- ⑬ Фиксированное положение рычага разблокировки поворотного основания
- ⑭ Ручка-фиксатор поворотного основания
- ⑮ Рычаг разблокировки поворотного основания
- ⑯ Рычаг разблокировки (настройки) вертикального угла скоса
- ⑰ Указатель горизонтального угла скоса слева
- ⑱ Шкала настройки горизонтального угла скоса
- ⑲ Рычаг разблокировки дополнительной опоры слева
- ⑳ Дополнительная опора слева
- ㉑ Ручка-захват слева
- ㉒ Нижний угловой упор слева
- ㉓ Рычаг разблокировки (настройки) верхнего углового упора слева
- ㉔ Верхний угловой упор слева
- ㉕ Зажим
- ㉖ Указатель вертикального угла скоса слева
- ㉗ Транспортировочный фиксатор
- ㉘ Стопорный винт выдвигающего элемента
- ㉙ Выключатель
- ㉚ Отверстие для навешивания замка
- ㉛ Гнездо для аккумулятора
- ㉜ Рукоятка для транспортировки
- ㉝ Стопорная пластина ограничителя глубины
- ㉞ Ограничитель глубины
- ㉟ Выдвижной элемент / направляющая штанга
- ㊱ Соединительный шланг системы пылеудаления
- ㊲ Патрубок для подключения пылеотсоса
- ㊳ Шкала настройки вертикального угла скоса
- ㊴ Указатель вертикального угла скоса справа
- ㊵ Пылесборный мешок
- ㊶ Ключ-шестигранник
- ㊷ Рычаг разблокировки верхнего углового упора справа
- ㊸ Ручка-захват справа
- ㊹ Аккумулятор
- ㊺ Индикатор статуса аккумулятора



2395174

3.2 Использование по назначению

Описываемое изделие представляет собой аккумуляторную торцовочно-усорезную пилу. Оно предназначено для распиловки древесины, древесных материалов, пластиковых и алюминиевых профилей. Изделие можно использовать для выполнения поперечных, косых и угловых резов.

Изделие оснащено соединительным штуцером для всасывания опилок, который предназначен для подсоединения обычных шлангов пылесосов. Для подсоединения всасывающего шланга пылесоса к пиле может потребоваться подходящий адаптер.

- Используйте пилу только с входящим в комплект мешком для опилок или с подходящим пылесосом (пылеудаляющим аппаратом).
- Используйте только подходящие и допущенные для этого изделия режущие круги, которые соответствуют данным, указанным в технических характеристиках (например, диаметр, частота вращения, толщина, материал и т. д.). Не допускается использование шлифовальных и отрезных кругов, а также режущих кругов из высоколегированной быстрорежущей стали (HSS).
- Резка магния этой пилой категорически запрещена.
- Для этого изделия используйте только литий-ионные аккумуляторы **Hilti** Nuron серии B 22. Для обеспечения оптимальной мощности **Hilti** рекомендует использовать с этим изделием аккумуляторы, указанные в таблице в конце этого руководства по эксплуатации.
- Для зарядки этих аккумуляторов используйте только зарядные устройства **Hilti**, указанные в таблице в конце этого руководства по эксплуатации.

3.3 Комплект поставки

Торцовочно-усорезная пила, режущий круг, зажимной фланец, крепежный (посадочный) фланец, зажимной винт, ключ-шестигранник, зажим, ручка-фиксатор поворотного основания, руководство по эксплуатации

Другие системные принадлежности, допущенные для использования с этим изделием, см. в **Hilti Store** или на сайте **www.hilti.group**

3.4 Индикации состояния литий-ионного аккумулятора

Литий-ионные аккумуляторы **Hilti** Nuron оснащены светодиодами для индикации уровня заряда, сигналов ошибки и состояния батареи.

3.4.1 Индикация уровня заряда и сигналов ошибки

ПРЕДУПРЕЖДЕНИЕ

Опасность травмирования вследствие падения аккумулятора!

- При вставленном аккумуляторе путем нажатия кнопки разблокировки убедитесь в правильной повторной фиксации аккумулятора в используемом электроинструменте.

Для получения одной из следующих индикаций коротко нажмите кнопку разблокировки аккумулятора. Уровень заряда, а также возможные неисправности также отображаются в течение всего времени, пока подключенный (к аккумулятору) электроинструмент включен.

Состояние	Значение
Четыре (4) светодиода непрерывно горят зеленым.	Уровень заряда: от 100 % до 71 %
Три (3) светодиода непрерывно горят зеленым.	Уровень заряда: от 70 % до 51 %
Два (2) светодиода непрерывно горят зеленым.	Уровень заряда: от 50 % до 26 %
Один (1) светодиод непрерывно горит зеленым.	Уровень заряда: от 25 % до 10 %
Один (1) светодиод мигает зеленым с низкой частотой.	Уровень заряда: < 10 %
Один (1) светодиод мигает зеленым с высокой частотой.	Литий-ионный аккумулятор полностью разряжен. Зарядите аккумулятор. Если светодиод после зарядки аккумулятора все еще мигает с высокой частотой, обратитесь в сервисную службу Hilti .



Состояние	Значение
Один (1) светодиод мигает желтым с высокой частотой.	Литий-ионный аккумулятор или подключенный к нему электроинструмент перегружены, слишком горячие, слишком холодные или имеет место другая ошибка. Обеспечьте доведение электроинструмента и аккумулятора до рекомендуемой рабочей температуры и не перегружайте электроинструмент при его использовании. Если сигнал остается, обратитесь в сервисную службу Hilti .
Один (1) светодиод горит желтым.	Литий-ионный аккумулятор и сопряженный с ним электроинструмент не совместимы друг с другом. Обратитесь в сервисный центр Hilti .
Один (1) светодиод мигает красным с высокой частотой.	Литий-ионный аккумулятор заблокирован и его дальнейшее использование невозможно. Обратитесь в сервисный центр Hilti .

3.4.2 Индикаторы состояния аккумулятора

Для запроса состояния аккумулятора удерживайте кнопку разблокировки нажатой в течение более 3 с. Система не распознает потенциальное нарушение работы аккумуляторной батареи вследствие неправильного обращения, например, падения, проколов, внешнего термического воздействия и т. д.

Состояние	Значение
Все светодиоды загораются в виде бегущего огня, после чего один (1) светодиод горит зеленым.	Аккумулятор можно продолжать использовать.
Все светодиоды загораются в виде бегущего огня, после чего один (1) светодиод мигает желтым с высокой частотой.	Не удалось завершить запрос состояния аккумулятора. Повторите процесс или обратитесь в сервисную службу Hilti .
Все светодиоды загораются в виде бегущего огня, после чего один (1) светодиод горит красным.	В случае возможности дальнейшего использования подключенного электроинструмента оставшаяся емкость аккумулятора составляет ниже 50 %. Если подключенный электроинструмент больше использовать невозможно, ресурс аккумулятора исчерпан и аккумулятор следует заменить. Обратитесь в сервисный центр Hilti .

4 Технические данные

4.1 Характеристики изделия

Номинальное напряжение	21,6 В	
Номинальная частота вращения на холостом ходу	4 300 об/мин	
Диаметр режущего круга	305 мм	
Толщина полотна круга	0,5 мм ... 1,5 мм	
Посадочное отверстие режущего круга	30 мм	
Ширина реза	3,2 мм	
Максимальный горизонтальный угол скоса	Справа	≤ 60°
	Слева	≤ 52°
Максимальный вертикальный угол скоса	Справа	≤ 48°
	Слева	≤ 48°
Максимальная производительность независимо от других размеров или углов скоса	Высота	≤ 100 мм
	Ширина	≤ 360 мм



Масса	25,6 кг (согласно EPTA-Procedure 01 без аккумулятора)
Температура окружающей среды при эксплуатации	-17 °C ... 60 °C
Температура хранения	-20 °C ... 70 °C

4.2 Аккумулятор

Рабочее напряжение аккумулятора	21,6 В
Масса аккумулятора	См. в конце этого руководства по эксплуатации
Температура окружающей среды при эксплуатации	-17 °C ... 60 °C
Температура хранения	-20 °C ... 40 °C
Температура аккумулятора в начале зарядки	-10 °C ... 45 °C

4.3 Данные по шуму и вибрациям согласно EN 62841

Приводимые здесь значения уровня звукового давления и вибрации были измерены согласно стандартизированной процедуре измерения и могут использоваться для сравнения электроинструментов между собой. Они также подходят для предварительной оценки вредных воздействий.

Указанные данные применимы к основным областям применения электроинструмента. Однако, если электроинструмент используется для других целей, с другими рабочими (сменными) инструментами или в случае его неудовлетворительного технического обслуживания, данные могут быть иными. Вследствие этого в течение всего периода работы электроинструмента возможно значительное увеличение вредных воздействий.

Для точного определения вредных воздействий следует также учитывать промежутки времени, в течение которых электроинструмент находится в выключенном состоянии или работает вхолостую. Вследствие этого в течение всего периода работы электроинструмента возможно заметное уменьшение вредных воздействий.

Примите дополнительные меры безопасности для защиты пользователя от воздействия возникающего шума и/или вибраций, например: техническое обслуживание электроинструмента и рабочих (сменных) инструментов, сохранение тепла рук, правильная организация рабочих процессов.

Данные о шуме

Уровень звуковой мощности (L_{WA})	101 дБ(А)
Уровень звукового давления (L_{pA})	90 дБ(А)
Погрешность (для L_{WA} и L_{pA})	3 дБ(А)

Общие значения вибрации

Значение вибрации	B 22-55	$\leq 2,5 \text{ м/с}^2$
	B 22-255	$\leq 2,5 \text{ м/с}^2$
Погрешность		$1,5 \text{ м/с}^2$

4.4 Максимальная производительность

Указанные размеры (высота и ширина) взаимосвязаны. Максимально возможные высоту и ширину см. в главе Характеристики изделия. → страница 195

Горизонтальный угол скоса	Вертикальный угол скоса	Высота x ширина
0°	0°	100 мм x 355 мм
	22,5° справа	72 мм x 355 мм
	22,5° слева	90 мм x 355 мм
	30° справа	60 мм x 355 мм
	30° слева	78 мм x 355 мм
	45° справа	40 мм x 355 мм
	45° слева	65 мм x 340 мм



Горизонтальный угол скоса	Вертикальный угол скоса	Высота x ширина
0°	48° справа	30 мм x 355 мм
	48° слева	50 мм x 355 мм
45° справа 45° слева	0°	100 мм x 250 мм
	45° справа	40 мм x 250 мм
	45° слева	62 мм x 250 мм
52° слева	0°	100 мм x 200 мм
	45° справа	40 мм x 220 мм
	45° слева	62 мм x 220 мм
60° справа	0°	100 мм x 176 мм
	45° справа	40 мм x 178 мм
	45° слева	30 мм x 190 мм

5 Подготовка к работе

ПРЕДУПРЕЖДЕНИЕ

Опасность травмирования вследствие непреднамеренного пуска!

- ▶ Перед установкой аккумулятора убедитесь в том, что соответствующий электроинструмент выключен.
- ▶ Прежде чем приступить к регулировке электроинструмента или замене принадлежностей выньте аккумулятор из электроинструмента.

Соблюдайте указания по технике безопасности и предупреждающие указания, приводимые в данном документе и на изделии.

5.1 Установка ручки-фиксатора

При поставке комплекта ручка-фиксатор поворотного основания не установлена. Ее необходимо установить перед использованием пилы.

- ▶ Вверните ручку-фиксатор в кронштейн поворотного основания.

5.2 Зарядка аккумулятора

1. Перед зарядкой изучите руководство по эксплуатации зарядного устройства.
2. Убедитесь в том, что контакты аккумулятора и зарядного устройства чистые и сухие.
3. Заряжайте аккумулятор только в допущенном к эксплуатации зарядном устройстве. → страница 194

5.3 Установка аккумулятора

ПРЕДУПРЕЖДЕНИЕ

Опасность травмирования вследствие короткого замыкания или падения аккумулятора!

- ▶ Перед установкой аккумулятора убедитесь в чистоте его контактов и контактов электроинструмента.
- ▶ Всегда проверяйте, правильно ли зафиксирован аккумулятор.

1. Перед первым вводом в эксплуатацию полностью зарядите аккумулятор.
2. Прижмите аккумулятор так, чтобы он зафиксировался в аккумуляторном отсеке с характерным щелчком.
3. Проверьте надежность фиксации аккумулятора.

5.4 Извлечение аккумулятора

1. Нажмите кнопку разблокировки аккумулятора.
2. Извлеките аккумулятор из инструмента.

5.5 Установка пилы

Пила должна быть закреплена на ровной и устойчивой поверхности.



1. Разместите пилу на ровной и устойчивой поверхности.
2. Прикрутите ее к рабочей поверхности через крепежные отверстия. Используйте для этого подходящие винты.
3. В качестве альтернативы можно закрепить ножки пилы на рабочей поверхности с помощью обычных зажимов.



Hilti также предлагает дополнительную опорную раму, на которую можно установить изделие для мобильного использования.

5.6 Установка в рабочее положение 2

1. Слегка прижмите верхнюю часть пилы вниз и вытяните транспортировочный фиксатор.
2. Контролируемым образом отведите верхнюю часть пилы вверх.

5.7 Разъем для пылеудаления

5.7.1 Установка пылесборного мешка

Пылесборный мешок обеспечивает чистую работу и собирает большую часть образующейся пыли.

- ▶ Наденьте пылесборный мешок на патрубок для подключения пылеотсоса.

5.7.2 Подключение пылесоса (пылеудаляющего аппарата)

Пылесос должен подходить для работы с обрабатываемым материалом. При уборке опасной для здоровья, канцерогенной или сухой пыли используйте специальный пылеудаляющий аппарат.

- ▶ Насадите всасывающий шланг на патрубок для подключения пылеотсоса.

5.8 Установка режущего круга 3

Убедитесь, что устанавливаемый режущий круг соответствует техническим требованиям и хорошо заточен. Оптимальная заточка режущего круга является необходимым условием для качественного выполнения реза.

1. Очистите крепежный и зажимной фланцы.
2. Установите крепежный фланец в правильном положении на шпindelь привода (1).
3. Откройте виброзащитный кожух (2).
4. Установите новый режущий круг.



Соблюдайте указанное стрелкой направление вращения (3) (см. на режущем круге и на пиле). Оно должно совпадать.

5. Установите наружный зажимной фланец в правильной позиции (4).
6. Вкрутите зажимной винт.
7. Вставьте ключ-шестигранник в зажимной винт для фиксации режущего круга.
8. Нажмите и удерживайте нажатой кнопку блокировки шпинделя (5).
9. С помощью ключа-шестигранника затяните зажимной винт (6).
10. Проверьте правильность установки режущего круга.
11. Проверьте свободный ход режущего круга. Режущий круг не должен касаться других деталей пилы ни при какой регулировке (горизонтального и/или вертикального углов скоса).
12. Вставьте ключ-шестигранник в предназначенное для этого крепление.

5.9 Снятие режущего круга 4



ПРЕДУПРЕЖДЕНИЕ

Опасность ожогов и порезов при контакте с режущим кругом, зажимным винтом и зажимным фланцем! Следствием могут стать ожоги и порезы.

- ▶ При замене рабочего (сменного) инструмента надевайте защитные перчатки.

1. Нажмите и удерживайте нажатой кнопку блокировки шпинделя (1).
2. С помощью ключа-шестигранника выкрутите зажимной винт (2).
3. Извлеките зажимной винт и снимите зажимной фланец (3).



4. Откройте виброзащитный кожух (4) и извлеките режущий круг (5).



При необходимости в целях очистки можно снять крепежный фланец.

6 Управление

Соблюдайте указания по технике безопасности и предупреждающие указания, приводимые в данном документе и на изделии.

6.1 Фиксация/расфиксация выдвижного элемента 5

Выдвижной элемент можно заблокировать в любом месте.

1. Чтобы зафиксировать выдвижной элемент, поворачивайте стопорный винт (1) по часовой стрелке.
 - ▶ Стопорный винт зажимает направляющую штангу, предотвращая скольжение.
2. Чтобы ослабить выдвижной элемент, поворачивайте стопорный винт (1) против часовой стрелки.

6.2 Регулировка глубины реза на ограничителе глубины 6

Используйте ограничитель глубины если, например, хотите выпилить паз.

1. Отрегулируйте стопорную пластину (1) ограничителя глубины таким образом, чтобы ограничитель глубины при опускании верхней части пилы проходил через отверстие.
2. Выставьте нужную глубину реза с помощью винта с накатанной головкой (2).
3. Если больше не требуется ограничивать глубину реза, поверните стопорную пластину таким образом, (1) чтобы при опускании верхней части пилы ограничитель глубины проходил через отверстие.

6.3 Удлинение пильного стола 7



ПРЕДУПРЕЖДЕНИЕ

Опасность травмирования вследствие длинных заготовок. Длинные заготовки могут бесконтрольно опрокидываться во время резки, приподнимать защитный кожух, заклинивать режущий круг и вызывать отдачу.

- ▶ Поддерживайте длинные заготовки с помощью дополнительных козлов или аналогичных опорных подконструкций.

Опорную поверхность пильного стола можно увеличить с помощью дополнительных опор справа и/или слева.

1. Разблокируйте рычаг разблокировки дополнительной опоры (1).
2. Извлеките дополнительную опору (2).
3. Зафиксируйте рычаг разблокировки дополнительной опоры (1).
4. При необходимости повторите действия для дополнительной опоры на противоположной стороне.

6.4 Регулировка верхних угловых упоров 8, 9

В зависимости от настройки горизонтального и/или вертикального угла скоса верхние угловые упоры необходимо вытянуть наружу или полностью снять.

1. Разблокируйте рычаг разблокировки (1) верхнего углового упора слева или справа.
2. Потяните верхний угловой упор (2) насколько это необходимо или снимите его.
3. Заблокируйте рычаг разблокировки (1).
 - ▶ При выполнении прямых резов снова установите верхние угловые упоры в крайнее внутреннее положение.
4. Если верхний угловой упор был снят, его также можно закрепить на направляющих штангах дополнительной опоры для безопасного хранения во время распиловки.



6.5 Настройка горизонтального угла скоса **10**

ПРЕДУПРЕЖДЕНИЕ

Опасность травмирования вследствие незаблокированного поворотного основания. Если поворотное основание не будет заблокировано, оно может повернуться во время резки, перекосять заготовку и вызвать отдачу.

- ▶ Всегда затягивайте ручку-фиксатор поворотного основания перед выполнением реза.

условия: Стандартный угол скоса

Для быстрой и точной настройки часто используемых горизонтальных углов скоса на соответствующей шкале имеются насечки. По этим насечкам может фиксироваться поворотное основание.

Фиксированные положения для настройки горизонтального угла скоса

Слева	По центру	Справа
45°; 31,6°; 22,5°; 15°	0°	15°; 22,5°; 31,6°; 45°; 60°

- ▶ При необходимости ослабьте ручку-фиксатор поворотного основания **(2)**.
- ▶ Потяните вверх и удерживайте рычаг разблокировки поворотного основания **(1)** и поворачивайте основание до достижения нужного горизонтального угла скоса **(3)**.
- ▶ Отпустите рычаг разблокировки поворотного основания и продолжайте вращать поворотное основание до положения нужного горизонтального угла скоса, пока не зафиксируется фиксатор.
- ▶ При необходимости затяните ручку-фиксатор поворотного основания **(2)**.

условия: Произвольный горизонтальный угол скоса

Помимо стандартных углов скоса при необходимости можно выставлять произвольный горизонтальный угол скоса.

- ▶ При необходимости ослабьте ручку-фиксатор поворотного основания **(2)**.
- ▶ Потяните рычаг разблокировки поворотного основания вверх **(1)** и зафиксируйте его **(4)**.
- ▶ Отрегулируйте поворотное основание в соответствии с нужным горизонтальным углом скоса **(3)**.
- ▶ При необходимости затяните ручку-фиксатор поворотного основания **(2)**.

6.6 Настройка вертикального угла скоса **11**

ПРЕДУПРЕЖДЕНИЕ

Опасность травмирования вследствие незафиксированной регулировки наклона. Если настройка вертикального угла скоса не будет зафиксирована, то верхняя часть пилы может опрокинуться во время резки и вызвать отдачу.

- ▶ После регулировки всегда прижимайте рычаг разблокировки (настройки) вертикального угла скоса до упора вниз, чтобы зафиксировать регулировку наклона.

ОСТОРОЖНО

Опасность травмирования вследствие верхних угловых упоров. При установленном вертикальном угле скоса режущий круг может столкнуться с верхними упорами, что приведет к повреждению и отдаче.

- ▶ После каждой регулировки угла вертикального скоса проверяйте свободный ход режущего круга и отводите верхние угловые упоры наружу настолько, насколько это необходимо.

Для быстрой и точной регулировки часто используемых вертикальных углов резки верхняя часть пилы фиксируется в нескольких положениях.

Фиксированные положения для настройки вертикального угла скоса

Слева	По центру	Справа
45°; 33,9°; 22,5°	0°	22,5°; 33,9°; 45°

- ▶ Потяните вверх рычаг разблокировки регулировки вертикального угла скоса, чтобы разблокировать его **(2)**.



- ▶ Потяните рычаг разблокировки вертикального угла наклона вверх до упора, чтобы можно было свободно перемещать верхнюю часть пилы (3).
- ▶ Отпустите рычаг разблокировки и наклоните верхнюю часть пилы до фиксации фиксатора.
 - ▶ Верхнюю часть пилы можно зафиксировать в любом из вышеперечисленных положений.
- ▶ Затем прижмите рычаг разблокировки вниз до упора (1), чтобы зафиксировать верхнюю часть пилы в заданном положении.
- ▶ Если вы хотите выставить произвольный вертикальный угол скоса, то удерживайте рычаг разблокировки для выставления вертикального угла скоса в верхнем положении (3), пока не будет достигнуто положение нужного вертикального угла скоса.
- ▶ Затем прижмите рычаг разблокировки вниз до упора (1), чтобы зафиксировать верхнюю часть пилы в заданном положении.
- ▶ Отрегулируйте верхние угловые упоры так, чтобы они не сталкивались с режущим кругом.
 - страница 199

6.7 Активация индикации линии реза

Пила оснащена индикатором линии реза. Светодиод в верхней части пилы освещает рабочую зону и создает тень от режущего круга, точно показывая при этом линию реза.

1. Активируйте выключатель, не нажимая кнопку блокировки включения.
 - ▶ Светодиод включится.
2. Отведите верхнюю часть пилы вниз.
 - ▶ На заготовке появится тень от режущего круга, которая будет показывать линию реза.
3. При необходимости отрегулируйте заготовку или настройку горизонтального и/или вертикального углов скоса по линии реза.

6.8 Расположение и закрепление заготовки 12, 13, 14

ПРЕДУПРЕЖДЕНИЕ

Опасность травмирования вследствие деформированной деревянной заготовки. Деформированная и/или искривленная заготовка может перекоситься при ее резке режущим кругом и вызвать отдачу.

- ▶ Всегда располагайте деформированные или искривленные заготовки изогнутой стороной наружу к угловому упору. Никогда не располагайте заготовку таким образом, чтобы между заготовкой и угловыми упорами оставался зазор.

ПРЕДУПРЕЖДЕНИЕ

Опасность травмирования вследствие ненадлежащего размещения заготовки. Неправильно размещенная заготовка может перекоситься при ее резке режущим кругом и вызвать отдачу.

- ▶ Всегда располагайте заготовку так, чтобы она имела как можно большую площадь контакта с поворотным основанием, опорами и угловыми упорами.

ПРЕДУПРЕЖДЕНИЕ

Опасность травмирования вследствие незакрепленной заготовки. Если заготовка не будет должным образом закреплена на угловом упоре, она может сместиться во время резки, что приведет к возможному повреждению режущего круга, отбрасыванию самой заготовки в сторону и потере контроля.

- ▶ Во время всех операций заготовка должна быть надежно закреплена на поворотном основании и угловом упоре с помощью зажима (струбцины).

ПРЕДУПРЕЖДЕНИЕ

Опасность травмирования вследствие контакта между деталями пилы и зажимом. Режущий круг может быть поврежден в случае его контакта с зажимом. Зажим может заблокировать и ограничить функцию защитных приспособлений. Перемещение верхней части пилы может быть ограничено зажимом, что может привести к отдаче.

- ▶ При выключенной пиле попробуйте выполнить нужное вам перемещение. Убедитесь в том, что никакие детали пилы не соприкасаются с зажимом.
- ▶ При необходимости переставьте зажим в другое место на пиле.
- ▶ Нажмите кнопку разблокировки зажима (2) и вытяните резьбовой стержень вверх до упора.
- ▶ Вставьте зажим в одно из предусмотренных отверстий (1).
- ▶ Плотно прижмите заготовку к нижнему угловому упору.



- ▶ Нажмите кнопку разблокировки зажима, чтобы быстро подогнать резьбовой стержень к заготовке (2).
- ▶ Откиньте зажим назад в положение, противоположное положению резьбового стержня (3). Затем затяните резьбовой стержень, повернув его по часовой стрелке, и таким образом зафиксируйте заготовку (4).
 - ▶ Чтобы расфиксировать заготовку, поверните резьбовой стержень против часовой стрелки. Затем нажмите кнопку разблокировки зажима и вытяните резьбовой стержень вверх до упора.

6.9 Регулировка частоты вращения

- ▶ Установите нужную частоту вращения с помощью регулятора (колесика).

6.10 Включение/выключение

ПРЕДУПРЕЖДЕНИЕ

Опасность травмирования вследствие отдачи.

- ▶ Включайте пилу только тогда, когда режущий круг не касается заготовки.

ПРЕДУПРЕЖДЕНИЕ

Опасность травмирования вследствие отдачи.

- ▶ После выключения пилы оставьте верхнюю часть пилы в крайнем нижнем положении, пока режущий круг не остановится.

1. Нажмите и удерживайте нажатой кнопку блокировки включения.
2. Нажмите и удерживайте нажатым выключатель.
 - ▶ Пила начнет работать.
3. Чтобы выключить пилу, отпустите выключатель.

6.11 Резка 15

ПРЕДУПРЕЖДЕНИЕ

Опасность травмирования вследствие неправильного положения рук (кистей и предплечий). При неправильном расположении работающий режущий круг может стать причиной серьезного травмирования рук.

- ▶ Никогда не перекрывайте руками линию реза! Никогда не перекрывайте линию реза предплечьем или ладонью!
- ▶ Держите руки на безопасном расстоянии от обозначенной опасной зоны справа и слева от режущего круга.

Правильное положение тела и рук при выполнении работ с торцовочно-усорезной пилой делает резку более легкой, точной и безопасной.

Надежно стойте обеими ногами на полу и сохраняйте равновесие. Двигая рычаг наклона влево и вправо, следуйте за ним и держитесь немного сбоку от режущего круга.

Держите опасную зону на расстоянии 230 мм слева и 270 мм справа от режущего круга свободной от посторонних предметов. Держите руки и другие части тела на безопасном расстоянии от этой опасной зоны.

Удерживайте руки в этом положении до тех пор, пока не будет отпущен выключатель и режущий круг не остановится полностью.



Чтобы сделать рез, осторожно и контролируемо нажмите на верхнюю часть пилы. Чрезмерное давление или боковое воздействие относительно линии реза может вызвать вибрацию режущего круга, вследствие чего на поверхности заготовки могут появиться дополнительные следы обработки и может нарушиться точность реза.



6.11.1 Пиление без толкающего движения (торцевание)

ПРЕДУПРЕЖДЕНИЕ

Опасность травмирования вследствие незафиксированного выдвигного элемента. Если выдвигной элемент не будет зафиксирован, то верхняя часть пилы может неожиданно соскользнуть и вызвать отдачу.

- ▶ Всегда блокируйте выдвигной элемент при торцевании.

1. Сдвиньте верхнюю часть пилы назад (от себя) до упора.
2. Застопорите выдвигной элемент. → страница 199
3. Отрегулируйте стопорную пластину ограничителя глубины таким образом, чтобы ограничитель глубины при опускании верхней части пилы проходил через отверстие. → страница 199
4. Отрегулируйте все настройки пилы (углы, угловые упоры, опорные поверхности) в соответствии с требованиями выполняемого реза.
5. Надежно фиксируйте заготовку. → страница 201
6. Включите пилу. → страница 202
7. Плавно опустите верхнюю часть пилы и распилите заготовку с равномерной подачей.
8. Выключите пилу и подождите, пока режущий круг полностью не остановится.
9. Отведите верхнюю часть пилы обратно в верхнее положение.

6.11.2 Рез с толкающим движением

ПРЕДУПРЕЖДЕНИЕ

Отдача вследствие неправильного движения верхней части пилы. Неправильное движение верхней части пилы при распиловке с толкающим движением может вызвать отдачу.

- ▶ Перед выполнением реза сначала всегда полностью вытягивайте верхнюю часть пилы, затем опускайте ее и сдвигайте в направлении угловых упоров.
- ▶ Никогда не тяните верхнюю часть пилы к себе, если режущий круг уже находится в заготовке.



При выполнении резов с толкающим движением осторожно и без остановки толкайте верхнюю часть пилы к угловому упору. Если во время резки прерывается толкающее движение, режущий круг будет оставлять следы на заготовке, и точность реза снижается.

1. При необходимости расфиксируйте выдвигной элемент. → страница 199
2. Отрегулируйте стопорную пластину ограничителя глубины таким образом, чтобы ограничитель глубины при опускании верхней части пилы проходил через отверстие. → страница 199
3. Отрегулируйте все настройки пилы (углы, угловые упоры, опорные поверхности) в соответствии с требованиями выполняемого реза.
4. Надежно фиксируйте заготовку. → страница 201
5. Полностью вытяните верхнюю часть пилы к себе.
6. Включите пилу. → страница 202
7. Плавно отведите верхнюю часть пилы вниз.
8. Удерживайте верхнюю часть пилы в крайнем нижнем положении и плавно сдвиньте ее назад (от себя). Распилите заготовку с равномерной подачей.
9. Выключите пилу и подождите, пока режущий круг полностью не остановится.
10. Отведите верхнюю часть пилы обратно в верхнее положение.

6.11.3 Выпиливание паза

1. Установите ограничитель глубины на нужную глубину реза. → страница 199
2. Выполните рез толкающим движением. → страница 203

6.11.4 Резка профильных планок

ПРЕДУПРЕЖДЕНИЕ

Опасность травмирования вследствие ненадлежащего закрепления заготовки. Неправильно закрепленная заготовка может перекошиться при ее резке режущим кругом и вызвать отдачу.

- ▶ Если вы приставляете профильную планку к угловому упору, обратите особое внимание на то, чтобы профильная планка была надежно зафиксирована от смещения. → страница 201



Распиловку профильных планок можно выполнять двумя разными способами:

- с установкой напротив углового упора;
 - в уложенном на пильный стол положении.
- В зависимости от ширины профильных планок резку выполнять с толкающим движением и без него.
- Сначала проверьте выставленные горизонтальные и/или вертикальные углы скоса на древесных отходах (обрезках древесины).

7 Уход и техническое обслуживание



ПРЕДУПРЕЖДЕНИЕ

Опасность травмирования при установленном аккумуляторе !

- Перед проведением любых работ по уходу и обслуживанию всегда извлекайте аккумулятор!

Уход за изделием

- Удаляйте налипшую грязь с осторожностью.
- Осторожно очистите вентиляционные прорези сухой мягкой щеткой.
- Очищайте корпус только слегка увлажненной салфеткой. Не используйте средства по уходу с содержанием силикона, поскольку они могут повредить детали из пластмассы.
- Для очистки контактов изделия используйте чистую сухую тряпку.
- Регулярно очищайте направляющие штанги выдвигного элемента и дополнительные опоры. Нанесите несколько капель масла на все направляющие штанги после каждой чистки.
- Регулярно очищайте контактные поверхности верхних угловых упоров. При необходимости дополнительно смазывайте контактные поверхности.

Уход за литий-ионными аккумуляторами

- Категорически запрещается использовать аккумулятор с забитыми вентиляционными прорезями. Осторожно очистите вентиляционные прорези сухой мягкой щеткой.
- Не допускайте чрезмерного запыления или загрязнения аккумулятора. Категорически запрещается подвергать аккумулятор чрезмерному воздействию влаги (например, опускать его в воду или оставлять под дождем).

Если аккумулятор промокнет, обращайтесь с ним, как с поврежденным. Поместите его в контейнер из негорючего материала и обратитесь в сервисный центр **Hilti**.

- Аккумулятор должен быть чистым, без следов масла и смазки. Не допускайте чрезмерного скопления пыли или грязи на аккумуляторе. Очищайте аккумулятор сухой мягкой кистью или чистой и сухой тряпкой. Не используйте средства по уходу с содержанием силикона, поскольку они могут повредить детали из пластмассы.
- Не прикасайтесь к контактам аккумулятора и не удаляйте с них смазку, нанесенную на заводе.
- Очищайте корпус только слегка увлажненной салфеткой. Не используйте средства по уходу с содержанием силикона, поскольку они могут повредить детали из пластмассы.

Техническое обслуживание

- Регулярно проверяйте все видимые части изделия на отсутствие повреждений, а элементы управления — на исправное функционирование.
- При повреждениях и/или функциональных сбоях не используйте изделие. Незамедлительно сдайте изделие для ремонта в сервисный центр **Hilti**.
- После ухода за изделием и его технического обслуживания установите все защитные приспособления на место и проверьте их исправное функционирование.



Для обеспечения безопасной эксплуатации используйте только оригинальные запасные части и расходные материалы. Допущенные **Hilti** запасные части, расходные материалы и принадлежности для этого изделия см. в **Hilti Store** или на: www.hilti.group

7.1 Очистка защитных приспособлений

1. Снимите режущий круг. → страница 198
2. Осторожно очистите защитные приспособления сухой щеткой.
3. Удалите отложения и опилки внутри защитных приспособлений с помощью подходящего инструмента.
4. Установите режущий круг. → страница 198



7.2 Очистка адаптера пылеотсоса и соединительного шланга **17**

1. Снимите пылесборный мешок или подсоединенный всасывающий шланг пылесоса.
2. Отпустите крепежный винт соединительного шланга на верхней части пилы (1).
3. Отсоедините соединительный шланг от верхней части пилы и (2) адаптера пылеотсоса.
4. Опорожните соединительный шланг и очистите его сухой щеткой.
5. Очистите канал для отвода опилок на верхней части пилы и адаптер пылеотсоса сухой щеткой.
6. Подсоедините соединительный шланг обратно к адаптеру пылеотсоса и верхней части пилы.
7. Затяните крепежный винт соединительного шланга на верхней части пилы.
8. Установите пылесборный мешок или повторно подсоедините пылесос. → страница 198

7.3 Опорожнение пылесборного мешка **18**

1. Снимите пылесборный мешок с адаптера пылеотсоса.
2. Откройте молнию пылесборного мешка и утилизируйте содержимое надлежащим образом.
3. Закройте молнию пылесборного мешка.
4. Снова установите пылесборный мешок на адаптер пылеотсоса. → страница 198

7.4 Проверка и юстировка настроек и индикации

Торцовочно-усорезная пила была надлежащим образом отрегулирована и отъюстирована на заводе-изготовителе. Однако после интенсивного использования или ненадлежащего обращения может возникнуть необходимость в проверке настроек и индикаторов пилы и в их регулировке.

Для проверки и регулировки пилы требуется опыт и специальные инструменты.

Hilti рекомендует выполнять регулировку/юстировку пилы только с привлечением специалистов сервисного центра **Hilti**.



Во время любых работ по проверке и настройке с использованием углового калибра не касайтесь вершин пильных зубьев. Это может привести к неправильному измерению. Угловой калибр должен всегда соответствовать полотну круга.

7.4.1 Проверка вертикального угла скоса

1. Сдвиньте верхнюю часть пилы назад (от себя) до упора.
2. Отрегулируйте стопорную пластину ограничителя глубины таким образом, чтобы ограничитель глубины при опускании верхней части пилы проходил через отверстие. → страница 199
3. Выставьте горизонтальный угол скоса 0°.
4. Прижмите верхнюю часть пилы вниз и задвиньте транспортировочный фиксатор, чтобы заблокировать верхнюю часть пилы.
5. Выставьте вертикальный угол скоса 0°.
6. Выставьте угловой калибр на 90°.
7. Установите угловой калибр вертикально и заподлицо на пильный стол.
8. Сдвиньте угловой калибр к режущему кругу.
 - ▶ Угловой калибр должен быть заподлицо с режущим кругом по всей линии.
9. Выставьте вертикальный угол скоса 45° справа.
10. Установите угловой калибр на 45° (в виде альтернативы на 135° для измерения с левой стороны).
11. Установите угловой калибр вертикально и заподлицо на пильный стол.
12. Сдвиньте угловой калибр к режущему кругу.
 - ▶ Угловой калибр должен быть заподлицо с режущим кругом по всей линии.
13. Повторите шаги для вертикального угла скоса 45° слева.

Результат 1 / 2

Угловой калибр находится заподлицо с режущим кругом по всей линии при всех трех измерениях.

- ▶ Пила отрегулирована правильно.

Результат 2 / 2

При выполнении одного или нескольких измерений угловой калибр и режущий круг не находятся заподлицо.

- ▶ Обратитесь в сервисный центр **Hilti**.

7.4.2 Регулировка указателей вертикального угла скоса **19**

1. Проверьте вертикальный угол скоса на точность. → страница 205



2. Выставьте вертикальный угол скоса 0°.
3. Отпустите крепежный винт указателя вертикального угла скоса и установите его точно на отметку 0°.
4. Снова затяните крепежный винт от руки. При этом удерживайте указатель точно на отметке 0°.
5. При необходимости повторите операции для второго указателя вертикального угла скоса.
6. Убедитесь в соответствии фактического вертикального угла скоса и обоих указателей угла 45° (справа и слева).
 - ▶ Если при проверке один из указателей не будет соответствовать фактическому углу в одном или нескольких местах и его нельзя будет отрегулировать, обратитесь в сервисный центр **Hilti**.

7.4.3 Проверка горизонтального угла скоса

1. Сдвиньте верхнюю часть пилы назад (от себя) до упора.
2. Отрегулируйте стопорную пластину ограничителя глубины таким образом, чтобы ограничитель глубины при опускании верхней части пилы проходил через отверстие. → страница 199
3. Выставьте вертикальный угол скоса 0°.
4. Прижмите верхнюю часть пилы вниз и задвиньте транспортировочный фиксатор, чтобы заблокировать верхнюю часть пилы.
5. Выставьте горизонтальный угол скоса 0°.
6. Выставьте угловой калибр на 90°.
7. Положите угловой калибр плашмя на пильный стол заподлицо с угловым упором.
8. Сдвиньте угловой калибр к режущему кругу.
 - ▶ Угловой калибр должен быть заподлицо с режущим кругом по всей линии.
9. Выставьте горизонтальный угол скоса 45° справа.
10. Установите угловой калибр на 45° (в виде альтернативы на 135° для измерения с левой стороны).
11. Положите угловой калибр плашмя на пильный стол заподлицо с угловым упором.
12. Сдвиньте угловой калибр к режущему кругу.
 - ▶ Угловой калибр должен быть заподлицо с режущим кругом по всей линии.
13. Повторите шаги для горизонтального угла скоса 45° слева.

Результат 1 / 2

Угловой калибр находится заподлицо с режущим кругом по всей линии при всех трех измерениях.

- ▶ Пила отрегулирована правильно.

Результат 2 / 2

При выполнении одного или нескольких измерений угловой калибр и режущий круг не находятся заподлицо.

- ▶ Отрегулируйте горизонтальный угол скоса или обратитесь в сервисный центр **Hilti**. → страница 206

7.4.4 Регулировка горизонтального угла скоса и шкалы **20**

1. Зафиксируйте поворотное основание в положении 0°.
2. Отпустите ручку-фиксатор поворотного основания.
3. Отпустите четыре крепежных винта шкалы (для выставления) горизонтального угла скоса.
4. Выставьте угловой калибр на 90°.
5. Положите угловой калибр плашмя на пильный стол заподлицо с угловым упором.
6. Сдвиньте угловой калибр к режущему кругу. Используя угловой калибр, отрегулируйте поворотное основание, включая шкалу горизонтального угла скоса.
 - ▶ Угловой калибр должен быть заподлицо с режущим кругом по всей линии.
7. Затяните ручку-фиксатор поворотного основания, чтобы заблокировать основание.
8. Затяните четыре крепежных винта шкалы горизонтального угла скоса.
9. Проверьте горизонтальные углы скоса: 45° справа и 45° слева. → страница 206

Результат 1 / 2

Угловой калибр находится заподлицо с режущим кругом по всей линии при горизонтальных углах скоса 45° справа и 45° слева.

- ▶ Пила отрегулирована правильно.

Результат 2 / 2

При выполнении одного или нескольких измерений угловой калибр и режущий круг не находятся заподлицо.

- ▶ Обратитесь в сервисный центр **Hilti**.



7.4.5 Регулировка указателей горизонтального угла скоса 21

1. Проверьте горизонтальный угол скоса на точность. → страница 206
2. При необходимости отрегулируйте горизонтальный угол скоса. → страница 206
3. Выставьте горизонтальный угол скоса 0°.
4. Отпустите крепежный винт указателя горизонтального угла скоса и установите его точно на отметку 0°.
5. Снова затяните крепежный винт от руки. При этом удерживайте указатель точно на отметке 0°.
6. При необходимости повторите операции для второго указателя горизонтального угла скоса.
7. Убедитесь в соответствии фактического горизонтального угла скоса и обоих указателей угла 45° (справа и слева).
 - ▶ Если при проверке один из указателей не будет соответствовать фактическому углу в одном или нескольких местах и его нельзя будет отрегулировать, обратитесь в сервисный центр Hilti.

7.5 Замена пылесборника 22

ПРЕДУПРЕЖДЕНИЕ

Опасность травмирования из-за неправильной установки дефлекторов. Если дефлектор установлен неправильно, то режущий круг может заклинить. Дефлектор или режущий круг могут сломаться, и их части могут быть отброшены в сторону.

- ▶ При установке дефлекторов убедитесь в том, что они везде установлены правильно. Нагруженная усилием пружины часть дефлектора должна быть обращена в сторону от режущего круга.
1. Отпустите крепежные винты (1) с одной стороны и снимите дефлектор (3).
 2. Отпустите крепежные винты на противоположной стороне и снимите второй дефлектор и пылесборник (2).
 3. Установите новый пылесборник и (2) дефлектор (3).
 - ▶ Убедитесь в том, что дефлектор расположен правильно.
 4. Прикрутите обе детали крепежными винтами.
 5. Прикрутите второй дефлектор и пылесборник с противоположной стороны.
 - ▶ Убедитесь в том, что дефлектор расположен правильно.
 - ▶ Убедитесь в том, что пылесборник и оба дефлектора надежно закреплены.

7.6 Замена шлицевых пластин 23

Шлицевые пластины отрегулированы на заводе таким образом, чтобы они не касались режущего круга. Однако шлицевые пластины подвержены определенному износу. Hilti предлагает шлицевые пластины в качестве запасных частей. Их можно быстро и легко заменить.

1. Выкрутите все крепежные винты пластин и утилизируйте изношенные пластины.
2. Установите новые шлицевые пластины.
3. Слегка затяните крепежные винты, чтобы шлицевые пластины можно было передвигать.
4. Отрегулируйте положение шлицевых пластин таким образом, чтобы исключить контакт (касание) режущего круга с ними.
 - ▶ Сначала проверьте максимальные вертикальные углы скоса справа и слева.
 - ▶ Также проверьте все остальные горизонтальные и вертикальные углы скоса.
5. После выполнения регулировки затяните вручную все крепежные винты.

8 Транспортировка и хранение аккумуляторных инструментов и аккумуляторов 24, 25

Транспортировка торцовочно-усорезной пилы

Перед транспортировкой пилы выполните следующие действия:

- ▶ Сдвиньте верхнюю часть пилы назад (от себя) до упора.
- ▶ Застопорите выдвижной элемент. → страница 199
- ▶ Отрегулируйте стопорную пластину ограничителя глубины таким образом, чтобы ограничитель глубины при опускании верхней части пилы проходил через отверстие. → страница 199
- ▶ Выставьте вертикальный угол скоса 0°.
- ▶ Прижмите верхнюю часть пилы вниз и задвиньте транспортировочный фиксатор, чтобы заблокировать верхнюю часть пилы.



- ▶ При необходимости задвиньте дополнительные опоры полностью внутрь. → страница 199
- ▶ Выставьте горизонтальный угол скоса вправо (60°) до упора и зафиксируйте поворотное основание.
- ▶ Уберите все принадлежности (например, струбцину), которые невозможно надежно закрепить на пиле.
- ▶ При необходимости снимите ручку-фиксатор и зажмите ее в одном из держателей на задней стороне верхнего углового упора.

Переносите пилу только за предусмотренные для этого места:

- ручки-захваты под дополнительными опорами (1);
- ручку-захват в задней части рядом с подключением для пылеудаления (2);
- рукоятку на верхней части пилы (3).

Транспортировка аккумуляторов

ОСТОРОЖНО

Непреднамеренное включение в ходе транспортировки !

- ▶ При транспортировке своих электроинструментов всегда отсоединяйте от них аккумуляторы!
- ▶ Извлеките аккумулятор(ы).
- ▶ Категорически запрещается транспортировать аккумуляторы без упаковки (бестарным способом). Во время транспортировки необходимо принять меры по защите аккумуляторов от сильных ударов и вибраций и изолировать их от любых токопроводящих материалов или других аккумуляторов, чтобы не допустить их контакта с клеммами других аккумуляторов и, как следствие этого, короткого замыкания. **Соблюдайте действующие предписания по транспортировке аккумуляторов.**
- ▶ Запрещается пересылать аккумуляторы по почте. Обратитесь в транспортно-экспедиционную компанию, если вы хотите переслать поврежденные аккумуляторы.
- ▶ Перед каждым использованием, а также перед длительной транспортировкой и после нее проверьте электроинструмент и аккумуляторы на отсутствие повреждений.

Хранение

ПРЕДУПРЕЖДЕНИЕ

Непреднамеренное повреждение вследствие неисправных или протекающих аккумуляторов !

- ▶ При хранении своих электроинструментов всегда отсоединяйте от них аккумуляторы!
- ▶ По возможности храните изделие и аккумуляторы в сухом и прохладном месте. Соблюдайте ограничения по температуре, приводимые в технических характеристиках.
- ▶ Не храните аккумуляторы на зарядном устройстве. После зарядки всегда извлекайте аккумулятор из зарядного устройства.
- ▶ Никогда не оставляйте аккумуляторы на солнце, на нагревательных/отопительных элементах или за стеклом!
- ▶ Храните изделие и аккумуляторы в недоступном для детей и посторонних лиц месте.
- ▶ Перед каждым использованием, а также перед длительным хранением и после него проверяйте изделие и аккумуляторы на отсутствие повреждений.

9 Помощь при неисправностях

При возникновении любых неисправностей обращайтесь внимание на индикацию состояния аккумулятора. См. главу **Индикации состояния литий-ионного аккумулятора**.

В случае неисправностей, которые не указаны в этой таблице или которые вы не можете устранить самостоятельно, обращайтесь в ближайший сервисный центр **Hilti**.

Неисправность	Возможная причина	Решение
Резко падает частота вращения.	Аккумулятор разряжен.	▶ Зарядите аккумулятор.
	Чрезмерное усилие подачи.	▶ Уменьшите усилие подачи и снова включите пилу.
Режущий круг останавливается.	Чрезмерное усилие подачи.	▶ Уменьшите усилие подачи и снова включите пилу.
Не срабатывает функция торможения двигателя.	Аккумулятор разряжен.	▶ Зарядите аккумулятор.



Неисправность	Возможная причина	Решение
Углы реза неточны.	Угловая точность, шкалы или указатели разрегулированы.	<ul style="list-style-type: none"> ▶ Проверьте и отрегулируйте настройки и индикаторы. → страница 205 ▶ Если вы не можете выполнить регулировку самостоятельно или в случае слишком большого отклонения точности пилы обратитесь в сервисный центр Hilti.
Светодиодные индикаторы аккумулятора ничего не показывают	Дефект аккумулятора	<ul style="list-style-type: none"> ▶ Обратитесь в сервисный центр Hilti.

10 Утилизация



ПРЕДУПРЕЖДЕНИЕ

Опасность травмирования вследствие неправильной утилизации! Опасность для здоровья вследствие выхода газов или жидкостей.

- ▶ Не пересылайте поврежденные аккумуляторы!
- ▶ Закрывайте аккумуляторные контакты не проводящим ток материалом, чтобы избежать коротких замыканий.
- ▶ Утилизируйте аккумуляторы так, чтобы исключить их попадание в руки детей.
- ▶ Утилизируйте аккумулятор через ближайший **Hilti Store** или обратитесь в специализированную фирму по утилизации.

Большинство материалов, из которых изготовлены устройства **Hilti**, подлежат вторичной переработке. Перед утилизацией следует тщательно рассортировать материалы (для удобства их последующей переработки). Во многих странах фирма **Hilti** уже организовала прием бывших в использовании электрических и электронных устройств (инструментов, приборов) для утилизации. Дополнительную информацию по этому вопросу можно получить в отделе по обслуживанию клиентов или у консультантов по продажам фирмы **Hilti**.



- ▶ Не выбрасывайте электрические инструменты, электронные устройства/приборы и аккумуляторы вместе с обычным мусором!

11 Гарантия производителя

- ▶ С вопросами по поводу гарантийных условий обращайтесь в ближайшее представительство **Hilti**.

12 Дополнительная информация

Дополнительную информацию относительно эксплуатации, технического оснащения, защиты окружающей среды и вторичной переработки см. по следующей ссылке: qr.hilti.com/manual/?id=2395172&id=2395174

Эта ссылка приводится также в конце руководства по эксплуатации в виде QR-кода.

Original kullanım kılavuzu


1 Kullanım kılavuzu bilgileri

1.1 Bu kullanım kılavuzu hakkında

- İkaz! Ürünü kullanmadan önce, talimatlar, güvenlik ve uyarı bilgileri, çizimler ve teknik özellikler dahil olmak üzere ürüne birlikte verilen kullanım kılavuzunu okuduğunuzdan ve anladığınızdan emin olunuz. Özellikle tüm talimatları, güvenlik ve uyarı bilgilerini, çizimleri, teknik özellikleri ve bileşenleri ve fonksiyonları öğreniniz. Aksi takdirde elektrik çarpması, yangın ve/veya ciddi yaralanma tehlikesi meydana gelebilir.



Tüm talimatlar, güvenlik ve uyarı bilgileri dahil olmak üzere kullanım kılavuzunu daha sonra kullanmak üzere saklayınız.

- Ekteki kullanım kılavuzu, basım tarihindeki mevcut gelişmiş teknolojiye uygundur. En son sürümü her zaman Hilti ürün sayfasında bulabilirsiniz. Bunu yapmak için, bu kullanım kılavuzundaki  sembolü ile işaretlenmiş bağlantıyı veya QR kodunu kullanınız.
- Ürünü başkalarına sadece bu kullanım kılavuzuyla birlikte veriniz.

1.2 Resim açıklaması

1.2.1 Uyarı bilgileri

Uyarı bilgileri, ürün ile çalışırken ortaya çıkabilecek tehlikelere karşı uyarır. Aşağıdaki uyarı metinleri kullanılır:

TEHLİKE

TEHLİKE !

- ▶ Ağır vücut yaralanmalarına veya doğrudan ölüme sebep olabilecek tehlikeler için.

İKAZ

İKAZ !

- ▶ Ağır yaralanmalara veya ölüme neden olabilecek tehlikeler için.







DİKKAT

DİKKAT !

- ▶ Vücut yaralanmalarına veya maddi hasarlara yol açabilecek olası tehlikeli durumlar için.





1.2.2 Kullanım kılavuzundaki semboller

Bu kullanım kılavuzunda aşağıdaki semboller kullanılmıştır:

	Kullanım kılavuzuna dikkat edilmelidir
	Kullanım uyarıları ve diğer gerekli bilgiler
	Geri dönüşümlü malzemeler ile çalışma
	Elektrikli aletleri ve aküleri evdeki çöplere atmayınız
	Hilti Lityum İyon akü
	Hilti Şarj cihazı

1.2.3 Çizimlerdeki semboller

Çizimlerde aşağıdaki semboller kullanılmıştır:


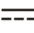




	Bu sayılar, kullanım kılavuzunun başlangıcındaki ilgili çizime atanmıştır.
	Çizimlerdeki numaralandırma, önemli çalışma adımlarını veya çalışma adımları için önemli olan yapı parçalarını gösterir. Metinde, bu çalışma adımları veya yapı parçasına karşılık gelen sayılarla vurgulanmıştır, örn. (3) .
	Pozisyon numaraları Genel bakış çiziminde kullanılır ve Ürüne genel bakış bölümündeki açıklama numaralarına referans niteliğindedir.
	Bu işaret, ürün ile çalışırken dikkatinizi çekmek için koyulmuştur.

1.3 Ürüne bağlı semboller

1.3.1 Genel semboller


Ürün ile bağlantılı olarak kullanılan semboller.



	Ürün, iOS ve Android platformları ile uyumlu NFC teknolojisini destekler.
	Doğru akım
n_0	Ölçüm rölati devir sayısı
\emptyset	Çap
	Testere bıçağının boyutları
	Işık kaynağına bakmayınız.
Li-Ion	Lityum İyon akü
	Aküye asla bir cisimle vurmeyin ve aküyü asla vurma aleti olarak kullanmayın.
	Aküyü düşürmeyiniz. Darbe almış veya hasar görmüş bir aküyü kullanmayınız.

1.3.2 Yasak işaretleri

Yasak işaretleri yasaklanmış eylemleri gösterir.

	Tehlike sahası! Ellerinizi, parmaklarınızı ve kollarınızı bu bölgeden uzak tutunuz.
---	---

1.3.3 Emredici işaretler

Emredici işaretler bağlayıcı eylemleri gösterir.

	Kulaklık kullanılması
	Koruyucu gözlük kullanılması

1.4 Ürün bilgileri

HILTI ürünleri profesyonel kullanıcıların kullanımı için öngörülmüştür ve sadece yetkili personel tarafından kullanılabilir ve bakımı yapılabilir. Bu personel, meydana gelebilecek tehlikeler hakkında özel olarak eğitim görmüş olmalıdır. Aletin ve ilgili yardımcı gereçlerin eğitimsiz personel tarafından usulüne uygun olmayan şekilde kullanılması ve amaçları dışında çalıştırılması sonucu tehlikeli durumlar söz konusu olabilir.

Tip tanımı ve seri numarası, tip plakası üzerinde belirtilmiştir.

- Seri numarasını aşağıdaki tabloya aktarınız. Ürün bilgileri acente veya servis merkezini aradığınızda sorulabilir.

Ürün bilgileri

Akülü gönye testere	SM 60-22
Nesil	01
Seri no.	

1.5 Uygunluk beyanı

Üretici burada tanımlanan ürünün geçerli yasalara ve standartlara uygun olduğunu kendi sorumluluğunda beyan eder. Bu dokümanın sonunda uygunluk beyanının bir kopyasını bulabilirsiniz.

Teknik dokümantasyonlar eklidir:

Hilti Entwicklungsgesellschaft mbH | Zulassung Geräte | Hiltstraße 6 | 86916 Kaufering, DE



2.1 Elektrikli el aletleri için genel güvenlik uyarıları

⚠ İKAZ Bu elektrikli el aletine yönelik tüm güvenlik uyarılarını, talimatları, resimli açıklamaları ve teknik verileri dikkatlice okuyunuz. Aşağıdaki talimatlara uyulmaması durumunda elektrik çarpması, yangın ve/veya ağır yaralanmalar söz konusu olabilir.

Tüm güvenlik uyarılarını ve kullanım talimatlarını muhafaza ediniz.

Güvenlik uyarılarında kullanılan "Elektrikli el aleti terimi, şebeke işletimli elektrikli el aletleri (şebeke kablosu ile) veya akü işletimli elektrikli el aletleri (şebeke kablosu olmadan) ile ilgilidir.

İş yeri güvenliği

- ▶ **Çalışma alanınızı temiz ve aydınlık tutunuz.** Düzensiz veya aydınlatma olmayan çalışma alanları kazalara yol açabilir.
- ▶ **Yanıcı sıvıların, gazların veya tozların bulunduğu patlama tehlikesi olan yerlerde elektrikli el aleti ile çalışmayınız.** Elektrikli el aletleri, toz veya buharı yakabilecek kıvılcım oluşturur.
- ▶ **Elektrikli el aletini kullanırken çocukları ve diğer kişileri uzak tutunuz.** Dikkatiniz dağılırsa aletin kontrolünü kaybedebilirsiniz.

Elektrik güvenliği

- ▶ **Elektrikli el aletinin bağlantı fişi prize uygun olmalıdır. Fiş hiçbir şekilde değiştirilmemelidir.** Adaptör fişini topraklama korumalı elektrikli el aletleri ile birlikte kullanmayınız. Değiştirilmemiş fişler ve uygun prizler elektrik çarpması riskini azaltır.
- ▶ **Borular, radyatörler, fırınlar ve buzdolapları gibi toprağa temas eden üst yüzeylere vücudunuzla temas etmekten kaçınınız.** Vücudunuzun toprakla teması var ise yüksek bir elektrik çarpması riski söz konusudur.
- ▶ **Elektrikli el aletini yağmurdan veya ıslaklıktan uzak tutunuz.** Elektrikli el aletine su girmesi, elektrik çarpması riskini artırır.
- ▶ **Elektrikli el aletini taşımak, asmak veya fişi prizden çekmek için bağlantı kablosunu kullanım amacı dışında kullanmayınız.** Bağlantı kablosunu sıcağtan, yağdan, keskin kenarlardan ve hareketli parçalardan uzak tutunuz. Hasarlı veya dolanmış bağlantı kabloları elektrik çarpması riskini artırır.
- ▶ **Elektrikli bir el aleti ile açık alanda çalışacaksanız, sadece dışarıda kullanımına izin verilen uzatma kabloları kullanınız.** Dış mekanlar için uygun olan uzatma kablolarının kullanılması elektrik çarpması riskini azaltır.
- ▶ **Elektrikli el aleti işletiminin nemli ortamda yapılması kaçınılmaz ise bir kaçak akım koruma şalteri kullanınız.** Bir kaçak akım koruma şalterinin kullanımı elektrik çarpması riskini azaltır.

Kişilerin güvenliği

- ▶ **Dikkatli olunuz, ne yaptığınızı dikkat ediniz ve elektrikli el aleti ile mantıklı bir şekilde çalışınız.** Yorgunsanız veya uyuşturucu, alkol veya ilaç etkisi altında olduğunuzda elektrikli el aleti kullanmayınız. Elektrikli el aletini kullanırken bir anlık dikkatsizlik ciddi yaralanmalara neden olabilir.
- ▶ **Kişisel koruyucu donanım ve her zaman bir koruyucu gözlük takınız.** Elektrikli el aletinin türüne ve kullanımına göre toz maskesi, kaymayan güvenlik ayakkabısı, koruyucu kask veya kulaklık gibi kişisel koruyucu donanımların kullanılması yaralanma riskini azaltır.
- ▶ **İstem dışı çalışmayı önleyiniz. Güç kaynağına ve/veya aküyü bağlamadan, girişini yapmadan veya taşımadan önce elektrikli el aletinin kapalı olduğundan emin olunuz.** Elektrikli el aletini taşırken parmağınız şalterde ise veya alet açık konumda güç kaynağına takılırsa bu durum kazalara yol açabilir.
- ▶ **Elektrikli el aletini devreye almadan önce ayar aletlerini veya vidalama anahtarlarını çıkartınız.** Dönen bir alet parçasında bulunan bir alet veya anahtar yaralanmalara yol açabilir.
- ▶ **Aşırı bir vücut hareketinden sakınınız. Güvenli bir duruş sağlayınız ve her zaman dengeli tutunuz.** Böylece beklenmedik durumlarda elektrikli el aletini daha iyi kontrol edebilirsiniz.
- ▶ **Uygun kıyafetler giyiniz. Bol kıyafetler giymeyiniz veya takı takmayınız. Saçları, kıyafetleri ve eldivenleri hareket eden parçalardan uzak tutunuz.** Bol kıyafetler, takı veya uzun saçlar hareket eden parçalara takılabilir.
- ▶ **Toz emme ve tutma tertibatları monte edilebiliyorsa bunların bağlı olduğundan ve doğru kullanıldığından emin olunuz.** Bu toz emme tertibatının kullanımı tozdan kaynaklanabilecek tehlikeleri azaltabilir.
- ▶ **Kendi güvenliğinizi riske atmayınız ve elektrikli el aletleri kullanımında son derece tecrübeli olsanız bile ilgili güvenlik kurallarını ihlal etmeyiniz.** Dikkatsiz kullanım saniyeler içerisinde ciddi yaralanmalara neden olabilir.

Elektrikli el aletinin kullanımı ve çalıştırılması

- ▶ **Aleti çok fazla zorlamayın. Çalışmanız için uygun olan elektrikli el aletini kullanın.** Uygun elektrikli el aleti ile bildirilen hizmet alanında daha iyi ve güvenli çalışırsınız.



- ▶ **Şalteri bozuk olan elektrikli el aletini kullanmayınız.** Açılıp kapatılmayan bir elektrikli el aleti tehlikelidir ve tamir edilmesi gerekir.
- ▶ **Alet ayarlarını yapmadan, aksesuar parçalarını değiştirmeden veya aleti bir yere koymadan önce fişi prizden ve/veya (çıkartılabilir) aküyü aletten çıkarınız.** Bu önlem, elektrikli el aletinin istem dışı çalışmasını engeller.
- ▶ **Kullanılmayan elektrikli el aletlerinin çocukların erişemeyeceği yerde muhafaza edin. Aleti iyi tanımayan veya bu talimatları okumamış kişilere aleti kullanırmayınız.** Elektrikli el aletleri bilgisiz kişiler tarafından kullanılırsa tehlikelidir.
- ▶ **Elektrikli el aletlerinin ve aksesuarlarının bakımını titizlikle yapınız. Hareketli parçaların kusursuz çalıştığı ve sıkışmadığı, parçaların kırılıp kırılmadığı veya hasar görüp görmediği, elektrikli el aleti fonksiyonlarının kısıtlanma durumlarını kontrol ediniz. Hasarlı parçaları aleti kullanmadan önce tamir ettiriniz.** Birçok kazanın nedeni bakımı kötü yapılan elektrikli el aletleridir.
- ▶ **Kesme aletlerini keskin ve temiz tutun.** Özenle bakımı yapılmış keskin bıçak kenarı olan kesme aletleri daha az sıkışır ve kullanımı daha rahattır.
- ▶ **Elektrikli el aletini, aksesuarları, ek aletleri vb. bu talimatlara göre kullanın. Çalışma şartlarını ve yapılacak işi de ayrıca göz önünde bulundurun.** Elektrikli el aletlerinin öngörülen kullanımı dışında kullanılması tehlikeli durumlara yol açabilir.
- ▶ **Tutamağı ve tutamak yüzeylerini daima temiz ve yağ ve gresten arındırılmış durumda tutunuz.** Kaygan tutamaklar ve tutamak yüzeyleri güvenli bir kullanımı ve öngörülemeden durumlarda elektrikli el aletinin kontrolünü engeller.

Akülü el aletinin kullanımı ve çalıştırılması

- ▶ **Akülerini sadece üretici tarafından tavsiye edilen şarj cihazları ile şarj ediniz.** Belirli bir akü için uygun olan bir şarj cihazı, başka akülerle kullanılırsa yanma tehlikesi vardır.
- ▶ **Elektrikli el aletlerinde sadece bunun için öngörülen aküler kullanılmalıdır.** Başka akülerin kullanılması yaralanmalara ve yanma tehlikelerine yol açabilir.
- ▶ **Kullanılmayan aküleri, kontakların köprülenmesine sebep olabilecek ataçlar, madeni paralar, anahtarlar, çiviler, vidalar veya diğer küçük metal cisimlerden uzak tutunuz.** Akü kontaktarı arasındaki kısa devre yanmalara veya alev oluşumuna sebep olabilir.
- ▶ **Yanlış kullanımda aküden sıvı çıkabilir. Bunlar ile teması önleyiniz. Yanlışlıkla temasta su ile durulayınız. Sıvı gözlerle temas ederse ayrıca doktor yardımı isteyiniz.** Dışarı akan akü sıvısı cilt tahrişine ve yanmalara yol açabilir.
- ▶ **Hasarlı veya değiştirilmiş aküleri kullanmayınız.** Hasarlı veya değiştirilmiş aküler öngörülemeden şekilde yangın, patlama veya yaralanma tehlikesi içeren tutumlara neden olabilir.
- ▶ **Akülerini açık ateş yakınına koymayınız veya yüksek sıcaklıklara maruz bırakmayınız.** Açık ateş veya 130°C'nin (265°F) üzerinde sıcaklıklar patlama tehlikesine neden olabilir.
- ▶ **Tüm şarj talimatlarına uyunuz ve aküyü veya akülü aleti kullanım kılavuzunda öngörülen sıcaklık aralığının dışında şarj etmeyiniz.** Hatalı şarj veya öngörülen sıcaklık aralığının dışındaki şarj işlemleri akünün zarar görmesine ve yangın tehlikesine neden olabilir.

Servis

- ▶ **Elektrikli el aletinizi sadece kalifiye uzman personele ve sadece orijinal yedek parçalar ile tamir ettiriniz.** Böylece aletin güvenliğinin korunduğundan emin olunur.
- ▶ **Hasarlı akülere bakım yapmayınız.** Akülere yönelik tüm bakım çalışmaları sadece üretici veya yetkili müşteri hizmetleri tarafından yapılmalıdır.

2.2 Gönye testere için güvenlik uyarıları

- ▶ **Gönye testereleeri ahşap veya ahşap benzeri ürünleri kesmek için tasarlanmıştır; çubuklar, demirler, vidalar vb. gibi demir içerikli malzemeleri kesmek için kullanılamazlar.** Aşındırıcı toz, alt koruma başlığı gibi hareketli parçaların sıkışmasına neden olur. Kesme kılıcını alt koruma başlığını, yerleştirme plakasını ve diğer plastik parçaları yakar.
- ▶ **Mümkünse, iş parçasını kelepçelerle sabitleyiniz. İş parçasını elle tutarken, elinizi her zaman testere bıçağının her iki tarafından en az 100 mm (4 inç) uzakta tutunuz. Bu testereyi kelepçelenemeycek veya elle tutulamayacak kadar küçük parçaları kesmek için kullanmayınız.** Eliniz testere bıçağına çok yakınsa, testere bıçağıyla temas nedeniyle yaralanma riski artar.
- ▶ **İş parçası hareketsiz olmalı ve sıkıştırılmış veya dayanak ile tablaya bastırılmış olmalıdır. İş parçasını testere bıçağına doğru itmeyiniz ve asla "eller serbest" kesim yapmayınız.** Gevşek veya hareketli iş parçaları yüksek hızda fırlayabilir ve yaralanmalara neden olabilir.
- ▶ **Testereyi iş parçası boyunca itiniz. Testereyi iş parçasının içinden çekmekten kaçınınız. Kesim yapmak için testere başını kaldırınız ve kesmeden iş parçasının üzerine çekiniz. Ardından motoru çalıştırınız, testere başını aşağı doğru döndürünüz ve testereyi iş parçasına doğru bastırınız. Kesim**



sirasında sıkışma olursa, testere bıçağının iş parçası üzerinde yükselmesi ve testere bıçağı ünitesinin şiddetli bir şekilde kullanıcıya doğru fırlaması tehlikesi vardır.

- ▶ **Elinizi asla testere bıçağının önünde veya arkasında, öngörülen kesme çizgisinin üzerinde çaprazlamayınız.** İş parçasını "çapraz ellerle" desteklemek, yani iş parçasını sol elle testere bıçağının sağında tutmak veya tam tersini yapmak çok tehlikelidir.
- ▶ **Testere bıçağı dönerken dayanağın arkasından tutmayınız. Eliniz ile dönen testere bıçağı arasındaki 100 mm'lik (4 inç) güvenlik mesafesinin altına asla düşmeyiniz (testere bıçağının her iki tarafı için de geçerlidir, örn. ahsap kalıntılarını çıkarırken).** Dönen testere bıçağının elinize yakınlığı fark edemeyebilir ve ciddi şekilde yaralanabilirsiniz.
- ▶ **Kesmeden önce iş parçasını kontrol ediniz. İş parçası bükülmüş veya eğrilmişse, dışa bükülen tarafı dayanağa doğru gelecek şekilde kelepçeleyniz. Her zaman kesme hattı boyunca iş parçası, dayanak ve tabla arasında boşluk olmadığından emin olunuz.** Bükülmüş veya eğrilmiş iş parçaları dönebilir veya kayabilir ve dönen testere bıçağının kesme sırasında sıkışmasına neden olabilir. İş parçasında çivi veya yabancı cisim olmamalıdır.
- ▶ **Testereyi yalnızca tablada alet, ahsap kalıntısı vb. bulunmadığında kullanınız; tabla üzerinde yalnızca iş parçası bulunmalıdır.** Dönen bıçakla temas eden küçük kalıntılar, gevşek ahsap parçaları veya diğer nesnelere yüksek hızda etrafa savrulabilir.
- ▶ **Bir seferde sadece bir iş parçasını kesiniz.** Birden fazla istenilmiş iş parçası düzgün şekilde kelepçelenemez veya tutulamaz ve kesme sırasında bıçağın sıkışmasına veya kaymasına neden olabilir.
- ▶ **Kullanmadan önce gönye testerenin düz ve sağlam bir çalışma yüzeyine yerleştirildiğinden emin olunuz.** Düz ve sağlam bir çalışma yüzeyi, gönye testerenin dengesiz hale gelme tehlikesini azaltır.
- ▶ **Çalışmanızı planlayınız. Testere bıçağı eğimini veya gönye açısını her ayarladığınızda, ayarlanabilir dayanağın doğru ayarlandığından ve iş parçasını bıçak veya koruma başlığı ile temas etmeden desteklediğinden emin olunuz.** Makineyi açmadan ve tabla üzerinde bir iş parçası olmadan, testere bıçağının tam bir kesme hareketini simüle ederek herhangi bir engel veya dayanakta kesme tehlikesi olmadığından emin olunuz.
- ▶ **Tablanın üst kısmından daha geniş veya daha uzun olan iş parçaları için yeterli destek sağlayınız, örneğin tabla uzatmaları veya testere atları ile.** Gönye testerenin tablasından daha uzun veya daha geniş olan iş parçaları, sıkıca desteklenmezlerse devrilebilirler. Kesilen bir ahsap parçası veya iş parçası devrilirse, alt koruma başlığını kaldırabilir veya kontrolsüz bir şekilde dönen bıçaktan uzağa savrulabilir.
- ▶ **Başka kişileri tabla uzatması yerine veya ek destek amacıyla kullanmayınız.** İş parçasının dengesiz desteklenmesi bıçağın sıkışmasına neden olabilir. İş parçası kesim sırasında kayabilir ve sizi ve yardımcınızı dönen bıçağa çekebilir.
- ▶ **Kesilen parça dönen testere bıçağına bastırılmamalıdır.** Çok az yer varsa, örneğin uzunlamasına dayanaklar kullanıldığında, bıçakla kesilen parça sıkışabilir ve etrafa savrulabilir.
- ▶ **Çubuk veya boru gibi yuvarlak malzemeleri düzgün bir şekilde desteklemek için her zaman bir kelepçe veya uygun bir ekipman kullanınız.** Çubuklar kesim sırasında yuvarlanma eğilimindedir, bu da bıçağın "ısırmasına" ve iş parçasının elinizle birlikte bıçağa çekilmesine neden olur.
- ▶ **İş parçasını kesmeden önce bıçağın tam devir sayısına ulaşmasını bekleyiniz.** Bu, iş parçasının etrafa savrulma riskini azaltır.
- ▶ **İş parçası sıkışırsa veya bıçak bloke olursa, gönye testereyi kapatınız. Tüm hareketli parçalar durana kadar bekleyiniz, şebeke fişini çekiniz ve/veya aküyü çıkarınız. Ardından sıkışan malzemeyi çıkarınız.** Böyle bir sıkışma varken testereyle kesmeye devam ederseniz, kontrolü kaybedebilir veya gönye testereye zarar verebilirsiniz.
- ▶ **Kesmeyi bitirdiğinizde şalteri bırakınız, testere başını aşağıda tutunuz ve kesilen parçayı çıkarmadan önce bıçağın durmasını bekleyiniz.** Elinizi dönen bıçağın yanına uzatmak çok tehlikelidir.
- ▶ **Tamamlanmamış bir testere kesimi yaparken veya testere başı alt konuma ulaşmadan önce şalteri bıraktığınızda, tutamağı sıkıca tutunuz.** Testerenin frenleme etkisi, testere başının sarsıntılı şekilde aşağı doğru çekilmesine ve dolayısıyla yaralanma riskinin oluşmasına neden olabilir.

2.3 Ek güvenlik uyarıları

- ▶ Ürünü ve aksesuarı sadece teknik açıdan sorunsuz durumdayken kullanınız.
- ▶ Ürün veya aksesuar üzerinde asla manipülasyon veya değişiklik yapılmamalıdır.
- ▶ Aletlerin ve/veya aksesuarların düşmesi nedeniyle yaralanma tehlikesi. Çalışmaya başlamadan önce akünün monte edilmiş olan aksesuarın emniyetli bir şekilde sabitlenip sabitlenmediğini kontrol ediniz.



- ▶ Taşlama, zımparalama, kesme ve delme işlemleri sonucunda oluşan tozlar tehlikeli kimyasallar içerebilir. Bazı örnekler şunlardır: Kurşun temelli kurşun veya boya; Tuğla, beton ve diğer duvar ürünleri, doğal taş ve diğer silikat içeren ürünler; Meşe, kayın gibi belirli ahşaplar ve kimyasal işlem görmüş ahşap; Asbest veya asbest içerikli malzemeler. Çalışılan malzemenin tehlike sınıfına göre kullanıcının ve çevredeki kişilerin maruziyetini belirleyiniz. Maruziyeti güvenli bir seviyede tutmak için bir toz toplama sisteminin kullanımını veya uygun bir solunum koruma maskesinin kullanımını gibi gerekli önlemleri alınız. Maruziyeti azaltmaya yönelik genel önlemler aşağıdakilerdir:
 - ▶ İyi havalandırılan bir alanda çalışma,
 - ▶ Toz ile uzun süreli temastan kaçınma,
 - ▶ Yüz ve vücuttaki tozları giderme,
 - ▶ Koruyucu kıyafet kullanma ve maruz kalan alanları su ve sabunla yıkama.
- ▶ Ürünün kullanımını sırasında koruyucu gözlük, koruyucu kask, kulaklık ve uygun bir solunum koruma maskesi kullanınız.
- ▶ Parmaklarınızdaki kan dolaşımının daha iyi olması için sık sık molalar veriniz ve parmak egzersizleri yapınız. Uzun süren çalışmalarda yüksek titreşim, parmaklar, eller veya bileklerdeki sinir sisteminde veya kan damarlarında rahatsızlıklara neden olabilir.
- ▶ Havalandırma deliklerini her zaman açık bırakınız. Üzeri kapatılan havalandırma delikleri nedeniyle yanma tehlikesi!
- ▶ Testere başını aşağı doğru yönlendirdiğinizde tutamağı bırakmayınız. Testere başını daima kontrollü bir şekilde üst konuma geri getiriniz. Testere başı kontrolsüz bir şekilde hareket ederse, bu durum yaralanma riskine yol açabilir.
- ▶ Kör, çatlak, bükülmüş veya hasarlı testere bıçakları kullanmayınız. Kör veya yanlış ayarlanmış dişi testere bıçakları çok dar bir kesme boşluğundan dolayı yüksek aşınmaya, testere bıçağının sıkışmasına ve geri tepmeye neden olur.
- ▶ Testere çalışırken kesme alanındaki kesme artıklarını, talaşları vb. asla çıkarmayınız. Daima önce testereyi kapatınız ve testere başını üst konuma getiriniz.
- ▶ Yalnızca teknik verilerdeki ve/veya üründeki bilgilere (örn. çap, devir sayısı, kalınlık, tespit deliği, malzeme vb.) uygun, ürün için onaylanmış ve EN 847-1 standardına göre test edilmiş ve işaretlenmiş testere bıçaklarını kullanınız.
- ▶ Sadece izin verilen devir sayısı en az ürün üzerinde belirtilen azami devir sayısı kadar olan testere bıçaklarını kullanınız.
- ▶ Çalışma sonlandığında soğuyana kadar testere bıçağına dokunmayınız. Testere bıçağı çalışma sırasında çok ısınır.
- ▶ Testere bıçağıni değiştirirken koruyucu eldiven takınız.
- ▶ Her kullanımdan önce koruma başlığının sorunsuz kapandığı kontrol edilmelidir. Testere başını aşağıya doğru hareket ettirerek kontrollü bir şekilde üst konuma getiriniz. Koruma başlığı serbestçe hareket etmiyorsa ve testere başı kaldırıldığında hemen kapanmıyorsa, testereyi kullanmayınız. Koruma başlığıni asla açık pozisyondayken sıkıştırmayınız veya bağlamayınız.
- ▶ Ürünü asla koruma başlığı olmadan kullanmayınız.
- ▶ Alüminyum profilleri keserken aleti daima düşük hızda çalıştırınız.
- ▶ Her zaman ürüne takılı ek destekleri kullanınız ve sabitleyiniz.
- ▶ Ürünü taşırken sadece belirtilen noktalardan (gömme tutamaklar ve taşıma kolu) tutunuz. Elektrikli el aletini asla kayar koldan veya tutamak üzerinden tutarak taşımayınız. → Sayfa 230
- ▶ Testere dişi uçlarının aşırı ısınmasını engelleyiniz. Plastik malzemelerin kesilmesi sırasında plastiğin erimesi engellenmelidir.

2.4 Akülü aletlerin özenli çalıştırılması ve kullanımı

- ▶ **Lityum İyon akülerin kullanılması sırasında aşağıda belirtilen güvenlik uyarılarını dikkate alınız.** Bunlara dikkate alınmaması ciltte tahrişlere, ağır korozif yaralanmalara, kimyasal yanıklara, yangın ve / veya patlamalara neden olabilir.
- ▶ Aküyü sadece teknik olarak kusursuz durumdayken kullanınız.
- ▶ Hasarları önlemek için ve sağlığa ciddi zarar verici sıvıları engellemek için akülere itinalı davranınız!
- ▶ Akülere asla müdahale edilmemeli ve üzerlerinde onarım yapılmamalıdır!
- ▶ Aküler parçalarına ayrılmamalı, ezilmemeli, 80° C (176° F) üzerine ısıtılmamalı veya yakılmamalıdır.
- ▶ Darbeye maruz kalmış veya başka bir hasar görmüş aküleri kullanmayınız. Akülerinizi hasar belirtilerine karşı düzenli olarak kontrol ediniz.
- ▶ Geri dönüştürülmüş veya onarılmış aküleri asla kullanmayınız.
- ▶ Aküyü veya aküyle çalışan bir elektrikli el aletini asla bir şeyi çakmak veya bir şeye vurmak için kullanmayınız.



- ▶ Aküleri asla doğrudan güneş ışığına, aşırı sıcaklık, kıvılcım veya açık ateşe maruz bırakmayınız. Bu durum patlamalara neden olabilir.
- ▶ Akünün kutbuna parmaklarınız, aletler, takılar veya diğer elektriksel olarak iletken nesnelere dokunmayınız. Bu durum aküye hasar verebilir, maddi hasarlara ve yaralanmalara neden olabilir.
- ▶ Aküleri yağmurdan, ıslaklıktan ve sıvılardan uzak tutunuz. Akülerin içine nemin girmesi, kısa devrelere, elektrik çarpmalarına, yanıklara, yangına veya patlamalara neden olabilir.
- ▶ Sadece akü tipi için öngörülmüş olan şarj cihazlarını ve elektrikli el aletlerini kullanınız. Bunun için ilgili kullanım kılavuzlarındaki verileri dikkate alınız.
- ▶ Aküyü patlama tehlikesi olan ortamlarda kullanmayınız veya depolamayınız.
- ▶ Akü tutulamayacak kadar sıcaksa arızalı olabilir. Pili, yanıcı malzemelere yeterli mesafede, görünür ve yanıcı olmayan bir yere yerleştiriniz. Aküyü soğumaya bırakınız. Akü bir saat sonra hala dokunulamayacak kadar sıcaksa, arızalı demektir. **Hilti** servisiyle irtibat kurunuz veya "**Hilti** Lityum İyon aküler için güvenlik ve kullanım uyarıları" dokümanını okuyunuz.



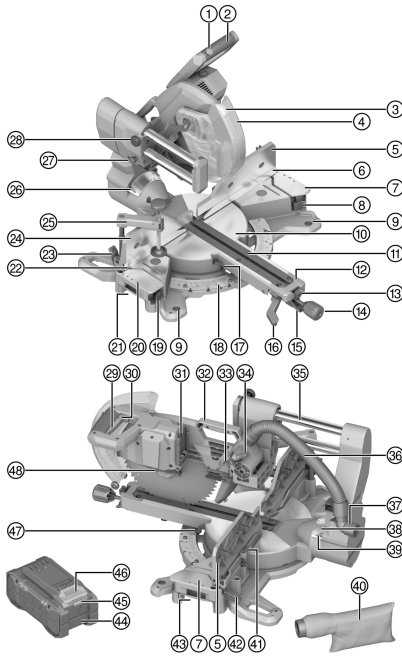
Lityum İyon aküleri taşıma, depolama ve kullanma için geçerli özel yönetmelikleri dikkate alınız.

Bu kullanım kılavuzunun sonundaki QR kodu tarayarak ulaşabileceğiniz, **Hilti** Lityum İyon aküler için güvenlik ve kullanım uyarılarını okuyunuz.



3 Tanımlama

3.1 Ürüne genel bakış



- ① Devreye alma kilidi
- ② tutamak
- ③ LED kesim göstergesi
- ④ Koruma başlığı
- ⑤ Sağ üst gönye dayanağı
- ⑥ Sağ alt gönye dayanağı
- ⑦ Sağ ek destek
- ⑧ Sağ ek destek kilit açma kolu
- ⑨ Sabitleme deliği
- ⑩ Döner tabla
- ⑪ Oluklu plakalar
- ⑫ Döner tabla kolu
- ⑬ Döner tabla kilit açma kolu kilitleme konumu
- ⑭ Döner tabla sabitleme butonu
- ⑮ Döner tabla kilit açma kolu
- ⑯ Dikey gönye açısı kilit açma kolu
- ⑰ Sol yatay gönye açısı ibresi
- ⑱ Yatay gönye açısı ölçeği
- ⑲ Sol ek destek kilit açma kolu
- ⑳ Sol ek destek
- ㉑ Sol gömme tutamak
- ㉒ Sol alt gönye dayanağı
- ㉓ Sol üst gönye dayanağı kilit açma kolu
- ㉔ Sol üst gönye dayanağı
- ㉕ Vidalı kelepçe
- ㉖ Sol dikey gönye açısı ibresi taşıma emniyeti
- ㉗ Çekme mekanizması tespit vidası
- ㉘ Açma/kapatma şalteri
- ㉙ Asma kilit deliği
- ㉚ Akü arabirimi
- ㉛ Taşıma tutamağı
- ㉜ Derinlik mesnedi dayanak plakası
- ㉝ Derinlik mesnedi
- ㉞ Çekme mekanizması / Sürgülü çubuk
- ㉟ Toz emme tertibatı bağlantı hortumu
- ㊱ Emme rakoru
- ㊲ Dikey gönye açısı ölçeği
- ㊳ Sağ dikey gönye açısı ibresi
- ㊴ Toz torbası
- ㊵ Allen anahtarı
- ㊶ Sağ üst gönye dayanağı kilit açma kolu
- ㊷ Sağ gömme tutamak
- ㊸ Akü
- ㊹ Akü durum göstergesi
- ㊺ Akü kilit açma tuşu
- ㊻ Sağ yatay gönye açısı ibresi
- ㊼ İş mili kilidi



3.2 Usulüne uygun kullanım

Tanımlanan ürün, akü ile çalışan bir gönye testeredir. Ahşap, ahşap ürünler, plastik ve alüminyum profillerin kesilmesi için tasarlanmıştır. Ürün çapraz kesimler, eğik kesimler ve gönyeli kesimler yapmak için kullanılabilir. Bu ürün, talaş emme amacıyla standart emme hortumları için tasarlanmış bir bağlantı ağı ile donatılmıştır. Toz giderici hortumunu testereye bağlamak için uygun bir adaptör gerekebilir.

- Testereyi sadece birlikte verilen talaş torbası veya uygun bir toz emici ile kullanınız.
- Yalnızca ürün için izin verilen ve teknik verilerdeki özelliklere (örn. çap, devir sayısı, kalınlık, malzeme vb.) uygun testere bıçaklarını kullanınız. Yüksek alaşımli yüksek hız çeliğinden (HSS çeliği) yapılmış taşlama ve kesme disklerine ve testere bıçaklarına izin verilmez.
- Ürünle asla magnezyum kesmeyiniz.
- Bu ürün için sadece B 22 tip serisi **Hilti** Nuron Lityum İyon aküleri kullanınız. Optimum performans için **Hilti**, bu ürüne yönelik olarak bu kullanım kılavuzunun sonundaki tabloda belirtilen akülerin kullanılmasını önerir.
- Bu aküler için sadece **Hilti** şarj cihazlarının bu kullanım kılavuzunun sonundaki tabloda belirtilen tip serilerini kullanınız.

3.3 Teslimat kapsamı

Gönye testere, testere bıçağı, sıkma flanşı, bağlantı flanşı, sıkma civatası, alyan anahtarı, vidalı kelepçe, sabitleme butonu, döner tabla, kullanım kılavuzu

Ürün için uygunluk sahibi diğer sistem ürünlerini **Hilti Store**'da veya şu adreste bulabilirsiniz: www.hilti.group

3.4 Lityum İyon akü göstergeleri

Hilti Nuron Lityum İyon aküler şarj durumunu, hata mesajlarını ve akünün durumunu gösterebilir.

3.4.1 Şarj durumu ve hata mesajları göstergeleri



İKAZ

Düşen akü nedeniyle yaralanma tehlikesi!

- ▶ Akü takılıken, kilit açma tuşuna bastıktan sonra, kullandığınız üründe akünün yerine oturduğundan emin olunuz.

Aşağıdaki göstergelerden birini görüntülemek için akünün kilit açma tuşuna kısa süreli basınız.

Bağlı olan ürün açık olduğu sürece, şarj durumu ve olası arızalar da sürekli görüntülenir.

Durum	Anlamı
Dört (4) LED sürekli yeşil yanıyor	Şarj durumu: % 100 ila % 71 arası
Üç (3) LED sürekli yeşil yanıyor	Şarj durumu: % 70 ila % 51 arası
İki (2) LED sürekli yeşil yanıyor	Şarj durumu: % 50 ila % 26 arası
Bir (1) LED sürekli yeşil yanıyor	Şarj durumu: % 25 ila % 10 arası
Bir (1) LED yavaşça yeşil renkte yanıp sönüyor	Şarj durumu: < % 10
Bir (1) LED hızlıca yeşil yanıp sönüyor	Lityum İyon akü tamamen deşarj olmuş. Aküyü şarj ediniz. Akünün şarj işleminden sonra LED hala hızlı yanıp sönüyorsa, lütfen Hilti servisiyle irtibat kurunuz.
Bir (1) LED hızlıca sarı yanıp sönüyor	Lityum İyon akü veya buna bağlı ürün aşırı yüklendi, çok sıcak, çok soğuk veya başka bir hata mevcut. Ürünü ve aküyü önerilen çalışma sıcaklığına getiriniz ve kullanırken ürünü aşırı yükte maruz bırakmayınız. Mesaj devam ediyorsa Hilti servisiyle irtibat kurunuz.
Bir (1) LED sarı yanıyor	Lityum İyon akü ve bağlantılı ürün uyumlu değildir. Lütfen Hilti servisine başvurunuz.
Bir (1) LED hızlıca kırmızı yanıp sönüyor	Lityum İyon akü bloke olmuş ve kullanılamaz. Lütfen Hilti servisine başvurunuz.



3.4.2 Akü durumunun göstergeleri

Akü durumunu sorgulamak için, kilit açma tuşuna üç saniyeden fazla basılı tutunuz. Sistem; düşme, delinme, harici ısı hasarları vb. gibi usulüne uygun olmayan kullanım nedeniyle pilde potansiyel hatalı fonksiyon algılamıyor.

Durum	Anlamı
Tüm LED'ler çalışma ışığı olarak yanıyor ve ardından bir (1) LED sürekli yeşil yanıyor.	Akü kullanımına devam edilebilir.
Tüm LED'ler çalışma ışığı olarak yanıyor ve ardından bir (1) LED hızlıca sarı yanıp sönüyor.	Akünün durumuna ilişkin sorgu tamamlanmadı. İşlemi tekrarlayınız veya Hilti servisiyle irtibat kurunuz.
Tüm LED'ler çalışma ışığı olarak yanıyor ve ardından bir (1) LED sürekli kırmızı yanıyor.	Bağlı bir ürünün kullanımına devam edilebiliyorsa, kalan akü kapasitesi %50'nin altındadır. Bağlı bir ürünün kullanımına devam edilemiyorsa, akünün kullanım ömrü dolmuştur ve akü değiştirilmelidir. Lütfen Hilti servisine başvurunuz.

4 Teknik veriler

4.1 Ürün özellikleri

Nominal gerilim	21,6 V	
Ölçüm rölanlı devir sayısı	4.300 dev/dak	
Testere bıçağı çapı	305 mm	
Çelik bıçak kalınlığı	0,5 mm ... 1,5 mm	
Testere bıçağını bağlama deliğı	30 mm	
Kesme genişliğı	3,2 mm	
Maksimum yatay gönye açısı	Sağ	≤ 60°
	Sol	≤ 52°
Maksimum dikey gönye açısı	Sağ	≤ 48°
	Sol	≤ 48°
Diğer boyutlardan veya gönye açılarından bağımsız olarak maksimum kesme kapasitesi	Yükseklik	≤ 100 mm
	Genişlik	≤ 360 mm
Ağırlık	25,6 kg (EPTA-Procedure 01'e göre akü olmadan)	
İşletim sırasındaki ortam sıcaklığı	-17 °C ... 60 °C	
Depolama sıcaklığı	-20 °C ... 70 °C	

4.2 Akü

Akü çalışma gerilimi	21,6 V
Akü ağırlığı	Bu kullanım kılavuzunun sonuna bakınız
İşletim sırasındaki ortam sıcaklığı	-17 °C ... 60 °C
Depolama sıcaklığı	-20 °C ... 40 °C
Şarj başlangıcında akü sıcaklığı	-10 °C ... 45 °C

4.3 EN 62841 uyarınca ses bilgisi ve titreşim değerleri

Bu talimatlarda belirtilen ses basıncı ve titreşim değerleri, ilgili normlara uygun bir ölçüm metodu ile ölçülmüştür ve elektrikli el aletlerinin birbirleri ile karşılaştırılması için kullanılabilir. Zorlanmaların geçici olarak değerlendirilmesine de uygundur.



Belirtilen deęerler, elektrikli el aletinin ana kullanım alanlarını temsil eder. Elektrikli el aletinin, farklı ek aletlerle veya yetersiz bakım yapılmış şekilde kullanılması durumunda, veriler sapma gösterebilir. Bu durum, toplam çalışma süresi boyunca zorlanmayı belirgin şekilde yükseltebilir.

Doęru bir zorlanma deęerlendirmesi için aletin kapatıldığı veya çalışır konumda olduğu ve ayrıca kullanımda olmadığı zamanlar da dikkate alınmalıdır. Bu durum, toplam çalışma süresi boyunca zorlanmayı belirgin şekilde azaltabilir.

Kullanıcıyı ses ve/veya titreşimin etkilerinden koruyacak ek güvenlik önlemleri belirleyiniz, örneğin: Elektrikli el aletinin ve ek aletlerin bakımının yapılması, ellerin sıcak tutulması, iş akışlarının düzenlenmesi.

Ses bilgileri

Ses gücü seviyesi (L_{WA})	101 dB(A)
Ses basıncı seviyesi (L_{pA})	90 dB(A)
Emniyetsizlik (L_{WA} ve L_{pA} için)	3 dB(A)

Toplam titreşim deęerleri

Titreşim emisyon deęeri	B 22-55	$\leq 2,5$ m/sn ²
	B 22-255	$\leq 2,5$ m/sn ²
Emniyetsizlik		1,5 m/sn ²

4.4 Maksimum kesme kapasitesi

Belirtilen yükseklik ve genişlik boyutları birbirine baęlıdır. Mümkün olan maksimum yükseklik ve genişlik deęerleri Ürün özellikleri → Sayfa 219 bölümünde bulunabilir.

Yatay gönye açısı	Dikey gönye açısı	Yükseklik x genişlik
0°	0°	100 mm x 355 mm
	22,5° sağ	72 mm x 355 mm
	22,5° sol	90 mm x 355 mm
	30° sağ	60 mm x 355 mm
	30° sol	78 mm x 355 mm
	45° sağ	40 mm x 355 mm
	45° sol	65 mm x 340 mm
	48° sağ	30 mm x 355 mm
	48° sol	50 mm x 355 mm
45° sağ 45° sol	0°	100 mm x 250 mm
	45° sağ	40 mm x 250 mm
	45° sol	62 mm x 250 mm
52° sol	0°	100 mm x 200 mm
	45° sağ	40 mm x 220 mm
	45° sol	62 mm x 220 mm
60° sağ	0°	100 mm x 176 mm
	45° sağ	40 mm x 178 mm
	45° sol	30 mm x 190 mm

5 Çalışma hazırlığı

İKAZ

Yaralanma tehlikesi kazara çalışmaya başlama nedeniyle!

- ▶ Aküyü takmadan önce ilgili ürünün kapalı konumda olduğundan emin olunuz.
- ▶ Cihazın ayarlarını yapmadan veya aksesuarları deęiştirmeden önce aküyü çıkartınız.

Bu dokümanda ve ürün üzerinde bulunan güvenlik ve uyarı bilgilerine dikkat ediniz.



5.1 Sabitleme butonunun takılması

Döner tablanın sabitleme butonu teslimat sırasında takılı değildir. Testere kullanılmadan önce takılmalıdır.

- Sabitleme butonunu döner tablanın koluna vidalayınız.

5.2 Akünün şarj edilmesi

1. Şarj etmeden önce şarj cihazının kullanım kılavuzunu okuyunuz.
2. Akü ve şarj cihazının kontaklarının temiz ve kuru olmasına dikkat ediniz.
3. Aküyü izin verilen şarj cihazında şarj ediniz. → Sayfa 218

5.3 Akünün yerleştirilmesi

İKAZ

Yaralanma tehlikesi kısa devre veya akünün düşmesi nedeniyle!

- Aküyü yerleştirmeden önce, akü kontaklarında ve ürün içindeki kontaklarda yabancı cisim bulunmadığından emin olunuz.
- Akünün her zaman tam oturduğundan emin olunuz.

1. İlk kullanım öncesinde akü tamamen şarj edilmelidir.
2. Aküyü ürüne, duyulur şekilde yerine oturana kadar itiniz.
3. Akünün alette emniyetli bir şekilde yerleşip yerleşmediğini kontrol ediniz.

5.4 Akünün çıkartılması

1. Akünün serbest bırakma düğmelerine basınız.
2. Aküyü üründen çıkartınız.

5.5 Ürünün monte edilmesi

Ürün düz ve sabit bir yüzeye monte edilmelidir.

1. Ürünü düz ve sabit bir yüzeye yerleştiriniz.
2. Ürünü sabitleme deliklerinden çalışma yüzeyine vidalayınız. Bunun için uygun vidalar kullanınız.
3. Alternatif olarak, standart vidalı kelepçeler kullanarak cihaz ayaklarını çalışma yüzeyine kelepçeleiniz.



Hilti ayrıca, ürünün mobil kullanım için monte edilebileceği opsiyonel bir taban çerçevesi de sunmaktadır.

5.6 Çalışma konumuna getirme

1. Testere başını hafifçe aşağı bastırınız ve taşıma emniyetini dışarı çekiniz.
2. Testere başını kontrollü bir şekilde yukarıya doğru yönlendiriniz.

5.7 Toz emme tertibatı

5.7.1 Toz torbasının takılması

Toz torbası temiz çalışma sağılar ve oluşan tozun büyük bir miktarını toplar.

- Toz torbasını emme rakorunun üzerine yerleştiriniz.

5.7.2 Toz emicinin bağlanması

Toz emici, işlenecek malzeme için uygun olmalıdır. Tehlikeli, kanserojen veya kuru tozları toplarken uygun bir özel elektrikli toz emici kullanınız.

- Emme hortumunu emme rakoruna takınız.

5.8 Testere bıçağının takılması

Bağlanacak testere bıçağının teknik gereklilikleri karşıladığından ve iyice bilmiş olduğundan emin olunuz. Keskin bir testere bıçağı, kusursuz bir testere kesimi için ön koşuldur.

1. Bağlantı ve sıkma flanşını temizleyiniz.
2. Bağlantı flanşını doğru biçimde yönlendirerek tahrik miline takınız (1).



- Pandül koruma kapağını açınız (2).
- Yeni testere bıçağını yerleştiriniz.



Testere bıçağı ve ürün üzerindeki dönme yönü okuna (3) dikkat ediniz. Bunların örtüşmesi gerekir.

- Dış sıkma flanşını doğru biçimde yönlendirerek takınız (4).
- Sıkma civatasını vidalayınız.
- Allen anahtarını testere bıçağının sıkma civatasına yerleştiriniz.
- İş mili kilidine bastırınız ve tutunuz (5).
- Sıkma civatasını allen anahtarı ile sıkınız (6).
- Testere bıçağının yerine doğru oturup oturmadığını kontrol ediniz.
- Testere bıçağının serbestçe hareket edip edemediğini kontrol ediniz. Testere bıçağı, herhangi bir ayarlama sırasında (yatay ve/veya dikey gönye açısı) testerenin diğer yapı parçalarıyla temas etmemelidir.
- Alyan anahtarını belirlenen tutucuya yerleştiriniz.

5.9 Testere bıçağının sökülmesi 4



İKAZ

Testere bıçağında, sıkma civatasında ve sıkma flanşında yanma ve kesilme tehlikesi Yanıklar ve kesilme kaynaklı yaralanmalar söz konusu olabilir.

► Alet değiştirmek için koruyucu eldiveni kullanınız.

- İş mili kilidine bastırınız ve tutunuz (1).
- Sıkma civatasını allen anahtarı ile gevşetiniz (2).
- Sıkma civatasını ve sıkma flanşını çıkartınız (3).
- Pandül koruma kapağını açınız (4) ve testere bıçağını çıkartınız (5).



Bağlama flanşı gerekirse temizlemek için çıkarılabilir.

6 Kullanım

Bu dokümanda ve ürün üzerinde bulunan güvenlik ve uyarı bilgilerine dikkat ediniz.

6.1 Çekme mekanizmasının kilitlemesi / çözülmesi 5

Çekme mekanizması herhangi bir konumda kilitlenebilir.

- Çekme mekanizmasını kilitlemek için tespit vidasını (1) saat yönünde çeviriniz.
 - Tespit vidası, sürgülü çubuğu sıkıştırarak kayma hareketini önler.
- Çekme mekanizmasını çözmek için tespit vidasını (1) saat yönünün tersine çeviriniz.

6.2 Derinlik mesnedinde kesme derinliğinin ayarlanması 6

Örneğin bir oluk açmak istiyorsanız derinlik mesnedini kullanınız.

- Derinlik mesnedinin dayanak plakasını (1), testere başı indirildiğinde derinlik mesnedi açıklıktan geçmeyecek şekilde ayarlayınız.
- Tırtıllı vidayı (2) kullanarak istenen kesme derinliğini ayarlayınız.
- Kesme derinliğini artık sınırlamak istemiyorsanız, testere başı indirildiğinde derinlik mesnedi açıklıktan geçecek şekilde dayanak plakasını (1) döndürünüz.

6.3 Testere tezgahının uzatılması 7



İKAZ

Uzun iş parçaları nedeniyle yaralanma tehlikesi. Uzun iş parçaları kesim sırasında kontrolsüz bir şekilde devrilebilir, koruma başlığını kaldırabilir, testere bıçağını sıkıştırabilir ve geri tepmeye neden olabilir.

► Uzun iş parçalarını ek testere atları veya benzer desteklerle destekleyiniz.

Testere tezgahının destek yüzeyi, sağ ve/veya soldaki ek destekler kullanılarak genişletilebilir.



1. Ek destek kilit açma kolunu açınız (1).
2. Ek desteği dışarı çekiniz (2).
3. Ek destek kilit açma kolunu kilitleyiniz (1).
4. Gerekirse, karşıdaki ek destek için adımları tekrarlayınız.

6.4 Üst gönye dayanaklarının ayarlanması 3, 9

Yatay ve/veya dikey gönye açısının ayarına bağlı olarak, üst gönye dayanakları dışarı doğru çekilmeli veya tamamen çıkarılmalıdır.

1. Sol veya sağ üst gönye dayanağının kilit açma kolunu (1) açınız.
2. Üst gönye dayanağını (2) gerektiği kadar dışarı doğru çekiniz veya gönye dayanağını çıkarınız.
3. Kilit açma kolunu (1) kapatınız.
 - Düz kesimler yaparken, üst gönye dayanaklarını yeniden en iç konuma takınız.
4. Üst gönye dayanağı çıkarılmışsa, kesme işlemi sırasında güvenli bir şekilde muhafaza etmek için ek desteğin sürgülü çubuklarına da takılabilir.

6.5 Yatay gönye açısının ayarlanması 10

⚠ İKAZ

Döner tablanın kilitlememesi nedeniyle yaralanma tehlikesi. Kilitlememiş döner tabla kesim sırasında döner iş parçasını eğebilir ve geri tepmeye neden olabilir.

- Kesim yapmadan önce daima döner tablanın sabitleme butonunu sıkınız.

Koşullar: Standart gönye açısı

Sık kullanılan yatay gönye açılarının hızlı ve hassas bir şekilde ayarlanması için, yatay gönye açısı ölçeğinde çentikler mevcuttur. Döner tabla bu çentikler üzerinde yerine kilitlenebilir.

Yatay gönye açıları için kilitleme konumları

Sol	Orta	Sağ
45°, 31,6°, 22,5°, 15°	0°	15°, 22,5°, 31,6°, 45°, 60°

- Gerekirse, döner tabla üzerindeki sabitleme butonunu gevşetiniz (2).
- Döner tablanın kilit açma kolunu yukarı doğru çekiniz ve tutunuz (1) ve döner tablayı istenen yatay gönye açısının hemen öncesine kadar çeviriniz (3).
- Döner tablanın kilit açma kolunu serbest bırakınız ve kilit yerine oturana kadar döner tablayı istenen yatay gönye açısına döndürmeye devam ediniz.
- Döner tablanın sabitleme butonunu sıkınız (2).

Koşullar: Herhangi bir yatay gönye açısı

Standart gönye açılarından dışında, yatay gönye açısı istenen şekilde ayarlanabilir.

- Gerekirse, döner tabla üzerindeki sabitleme butonunu gevşetiniz (2).
- Döner tablanın kilit açma kolunu yukarı doğru çekiniz (1) ve yerine oturtunuz (4).
- Döner tablayı istenen yatay gönye açısına ayarlayınız (3).
- Döner tablanın sabitleme butonunu sıkınız (2).

6.6 Dikey gönye açısının ayarlanması 11

⚠ İKAZ

Eğimin kilitlememesi nedeniyle yaralanma tehlikesi. Dikey gönye açısı ayarı kilitlemezse, testere başı kesim sırasında eğilebilir ve geri tepmeye neden olabilir.

- Eğimi kilitlemek için ayarlama sonrası dikey gönye açısının kilit açma kolunu daima tamamen aşağı doğru bastırınız.



⚠ DİKKAT

Üst gönye dayanakları nedeniyle yaralanma tehlikesi. Dikey gönye açısı ayarlanırsa, testere bıçağı üst gönye dayanaklarına çarparak hasara ve geri tepmeye neden olabilir.

- ▶ Dikey gönye açısının her ayarından sonra, testere bıçağının serbestçe hareket edip edemediğini kontrol edin ve üst gönye dayanaklarını gerektiği kadar dışarı doğru hareket ettiriniz.

Testere başı, sık kullanılan dikey gönye açılarının hızlı ve hassas bir şekilde ayarlanması için çeşitli konumlarda kilitlenebilir.

Dikey gönye açıları için kilitleme konumları

Sol	Orta	Sağ
45°; 33,9°; 22,5°	0°	22,5°; 33,9°; 45°

- ▶ Serbest bırakmak için dikey gönye ayarı kilit açma kolunu yukarı doğru çekiniz **(2)**.
- ▶ Testere başının serbestçe hareket etmesini sağlamak için, dikey gönye ayarının kilit açma kolunu tamamen yukarı çekiniz **(3)**.
- ▶ Kilit açma kolunu serbest bırakınız ve kilit yerine oturana kadar testere başını eğiniz.
 - ▶ Testere başı yukarıdaki konumlardan herhangi birine oturtulabilir.
- ▶ Daha sonra testere başını ayarlanan konumda kilitlemek için kilit açma kolunu tamamen aşağıya bastırınız **(1)**.
- ▶ Herhangi bir dikey gönye açısını ayarlamak istiyorsanız, istediğiniz dikey gönye açısına ulaşana kadar dikey gönye ayarının kilit açma kolunu en üst konumda tutunuz **(3)**.
- ▶ Daha sonra testere başını ayarlanan konumda kilitlemek için kilit açma kolunu tamamen aşağıya bastırınız **(1)**.
- ▶ Üst gönye dayanaklarını, testere bıçağıyla çarpışmayacak şekilde ayarlayınız. → Sayfa 223

6.7 Kesme hattı göstergesinin etkinleştirilmesi

Testere bir kesme hattı göstergesi ile donatılmıştır. Testere başındaki bir LED, çalışma alanını aydınlatır ve testere bıçağı boyunca bir gölge oluşturarak kesme hattını hassas bir şekilde gösterir.

1. Çalıştırma kilidine basmadan açma/kapatma şalterini etkinleştiriniz.
 - ▶ LED aktifleştirilir.
2. Testere başını aşağı doğru yönlendiriniz.
 - ▶ Testere bıçağının gölgesi iş parçası üzerinde belirir ve kesme hattını gösterir.
3. Gerekirse, iş parçasını veya yatay ve/veya dikey gönye açısının ayarını kesme hattına göre ayarlayınız.

6.8 İş parçasının konumlandırılması ve sabitlenmesi 12, 13, 14**⚠ İKAZ**

Eğrilmiş ahşap nedeniyle yaralanma tehlikesi. Eğrilmiş ve/veya kavisli bir iş parçası testere bıçağına sıkışabilir ve geri tepmeye neden olabilir.

- ▶ Eğri veya kavisli iş parçalarını daima dışı doğru kavisli tarafı gönye dayanağına gelecek şekilde konumlandırınız. Bir iş parçasını asla iş parçası ile gönye dayanakları arasında hava boşluğu olacak şekilde yerleştirmeyiniz.

⚠ İKAZ

İş parçasının yanlış konumlandırılması nedeniyle yaralanma tehlikesi. Düzgün şekilde konumlandırılmamış bir iş parçası testere bıçağına sıkışabilir ve geri tepmeye neden olabilir.

- ▶ İş parçasını her zaman döner tablaya, desteklere ve gönye dayanaklarına mümkün olan en geniş temas yüzeyi ile dayanacak şekilde yerleştiriniz.

⚠ İKAZ

Sabitlenmemiş iş parçası nedeniyle yaralanma tehlikesi! İş parçası gönye dayanağına düzgün bir şekilde sabitlenmezse, iş parçası kesme sırasında kayabilir ve testere bıçağında hasara neden olabilir, bu da iş parçasının fırlamasına ve kontrolün kaybedilmesine neden olabilir.

- ▶ İş parçası, tüm işlemler sırasında vidalı kelepçe ile döner tablaya ve gönye dayanağına sıkıca sabitlenmelidir.



⚠ İKAZ

Testere yapı parçaları ve vidalı kelepçe arasındaki temas nedeniyle yaralanma tehlikesi! Testere bıçağı, vidalı kelepçe ile temas ederse hasar görebilir. Koruma tertibatları vidalı kelepçe tarafından engellenebilir ve fonksiyonları kısıtlanabilir. Testere başının hareketi vidalı kelepçe tarafından kısıtlanabilir ve bu da geri tepmeye neden olabilir.

- ▶ Testere kapalıyken beklenen hareketi test ediniz. Testerenin hiçbir yapı parçasının vidalı kelepçe ile temas etmediğinden emin olunuz.
 - ▶ Gerekirse, vidalı kelepçeyi testere üzerinde başka bir konuma taşıyınız.
-
- ▶ Vidalı kelepçedeki kilit açma düğmesine basınız **(2)** ve dişli çubuğu dayanak noktasına kadar yukarıya doğru çekiniz.
 - ▶ Vidalı kelepçeyi öngörülen açıklıklardan birine yerleştiriniz **(1)**.
 - ▶ İş parçasını alt gönye dayanağına sıkıca bastırınız.
 - ▶ Dişli çubuğu iş parçasına hızlı bir şekilde uyarlamak için vidalı kelepçe üzerindeki kilit açma düğmesine basınız **(2)**.
 - ▶ Vidalı kelepçeyi dişli çubuğun karşı konumunda geriye doğru eğiniz **(3)**. Ardından iş parçasını yerine sabitlemek için dişli çubuğu saat yönünde çevirerek iyice sıkınız **(4)**.
 - ▶ İş parçasını gevşetmek için, dişli çubuğu saat yönünün tersine çeviriniz. Ardından vidalı kelepçedeki kilit açma düğmesine basınız ve dişli çubuğu dayanak noktasına kadar yukarıya doğru çekiniz.

6.9 Devir sayısının ayarlanması

- ▶ Devir sayısı ayar düğmesini kullanarak istediğiniz devir sayısını ayarlayınız.

6.10 Açılması / kapatılması**⚠ İKAZ**

Geri tepme nedeniyle yaralanma tehlikesi.

- ▶ Testereyi sadece testere bıçağı ilgili iş parçasına temas etmediğinde çalıştırınız.

⚠ İKAZ

Geri tepme nedeniyle yaralanma tehlikesi.

- ▶ Kapatma işleminden sonra, testere bıçağı durana kadar testere başını en alt konumda bırakınız.

1. Çalıştırma kilidine basınız ve basılı tutunuz.
2. Açma/Kapama üzerine basınız ve basılı tutunuz.
 - ▶ Testere çalışır.
3. Testereyi kapatmak için açma/kapatma şalterini bırakınız.

6.11 Testereleme 15**⚠ İKAZ**

Ellerin ve kolların yanlış konumlandırılması nedeniyle yaralanma tehlikesi. Yanlış konumlandırma durumunda, çalışan testere bıçağı kollara ve ellere çarpabilir ve ciddi yaralanmalara neden olabilir.

- ▶ Kesim yaparken asla kollarınızı çarpazlamayınız. Kesme hattını asla kolunuzla veya elinizle geçmeyiniz.
- ▶ Kollarınızı ve ellerinizi testere bıçağının sağında ve solunda işaretli tehlike bölgesinin dışında tutunuz.

Gönye testere ile çalışırken doğru vücut ve el pozisyonu; kesimi daha kolay, daha hassas ve daha güvenli hale getirir.

Her iki ayağınız yere sağlam basacak şekilde durunuz ve dengenizi koruyunuz. Gönye kolunu sola ve sağa hareket ettirdiğinizde, onu takip ediniz ve testere bıçağının biraz yanında durunuz.

Testere bıçağının 230 mm (9 inç) solundaki ve 270 mm (10,4 inç) sağındaki tehlike bölgesini temiz tutunuz. Ellerinizi, kollarınızı ve vücudunuzun diğer kısımlarını bu tehlikeli bölgeden uzak tutunuz.

Açma/kapatma şalteri bırakılana ve testere bıçağı tamamen durana kadar ellerinizi yerinde tutunuz.



Kesimi yapmak için testere başını yavaşça ve kontrollü bir şekilde aşağı bastırınız. Kesme hattına aşırı basınç veya yanıl kuvvet uygulanması, testere bıçağının titreşmesine neden olarak iş parçasında ek testere izleri oluşturabilir ve kesme hassasiyetini bozabilir.



6.11.1 İtme hareketi olmadan kesme (gönye)

İKAZ

Kilitlenmeyen çekme mekanizması nedeniyle yaralanma tehlikesi. Kilitlenmemiş bir çekme mekanizması, testere başının beklenmedik bir kayma hareketine yol açabilir ve bir geri tepmeye neden olabilir.

► Gönyeli kesimler sırasında daima çekme mekanizmasını kilitleyiniz.


1. Testere başını dayanak noktasına kadar geriye (kendinizden uzağa) doğru itiniz.
2. Çekme mekanizmasını kilitleyiniz. → Sayfa 222
3. Derinlik mesnedinin dayanak plakasını, testere başı indirildiğinde derinlik mesnedi açıklıktan geçecek şekilde ayarlayınız. → Sayfa 222
4. Tüm testere ayarlarını (açı, gönye dayanakları, destek yüzeyleri) yapılacak kesimin gereksinimlerine göre ayarlayınız.
5. Aleti emniyete alınız. → Sayfa 224
6. Testereyi açınız. → Sayfa 225
7. Testere başını yavaşça aşağıya doğru yönlendiriniz ve iş parçasını eşit bir ilerlemeyle kesiniz.
8. Testereyi kapatınız ve testere bıçağının durmasını bekleyiniz.
9. Testere başını üst konuma geri getiriniz.

6.11.2 İtme hareketi ile kesme

İKAZ

Testere başının yanlış hareketi nedeniyle geri tepme. İtme hareketiyle yapılan bir kesim sırasında testere başının yanlış hareketi geri tepmeye neden olabilir.

- Kesmeden önce her zaman testere başını tamamen dışarı çekiniz, ardından indiriniz ve gönye dayanaklarına doğru itiniz.
- Testere bıçağı iş parçasının içindeyken testere başını asla kendinize doğru çekmeyiniz.

 İtme hareketiyle kesim yaparken testere başını yavaşça ve durmadan gönye dayanağına doğru itiniz. Kesme sırasında itme hareketi kesilirse, testere bıçağı iş parçasında iz bırakır ve kesme hassasiyeti bozulur.

1. Gerekirse çekme mekanizmasını gevşetiniz. → Sayfa 222
2. Derinlik mesnedinin dayanak plakasını, testere başı indirildiğinde derinlik mesnedi açıklıktan geçecek şekilde ayarlayınız. → Sayfa 222
3. Tüm testere ayarlarını (açı, gönye dayanakları, destek yüzeyleri) yapılacak kesimin gereksinimlerine göre ayarlayınız.
4. Aleti emniyete alınız. → Sayfa 224
5. Testere başını tamamen kendinize doğru çekiniz.
6. Testereyi açınız. → Sayfa 225
7. Testere başını yavaşça aşağıya doğru hareket ettiriniz.
8. Testere başını en alt konumda tutunuz ve yavaşça geriye (kendinizden uzağa) doğru itiniz. İş parçasını eşit bir ilerleme ile kesiniz.
9. Testereyi kapatınız ve testere bıçağının durmasını bekleyiniz.
10. Testere başını üst konuma geri getiriniz.

6.11.3 Oluk kesme

1. Derinlik mesnedini istenen kesme derinliğine ayarlayınız. → Sayfa 222
2. İtme hareketiyle bir kesim gerçekleştiriniz. → Sayfa 226

6.11.4 Profil çıtalarının kesilmesi

İKAZ

İş parçasının yanlış sabitlenmesi nedeniyle yaralanma tehlikesi. Düzgün şekilde sabitlenmemiş bir iş parçası testere bıçağına sıkışabilir ve geri tepmeye neden olabilir.

- Profil çitasını gönye dayanağına karşı yerleştirirseniz, profil çitasının hareket etmeye karşı yeterince sabitlendiğinden emin olunuz. → Sayfa 224

Profil çıtaları iki farklı şekilde kesilebilir:



- Gönye dayanağına karşı ayarlanmış
- Testere tezgahında düz uzanma
- ▶ Profil çıtalarının genişliğine bağlı olarak, kesimi itme hareketi ile veya itme hareketi olmadan yapınız.
- ▶ Ayarlanan yatay ve/veya dikey gönye açılarını ilk olarak hurda bir ahşap parçası üzerinde test ediniz.

7 Bakım ve onarım

⚠ İKAZ

Takılı aküden dolayı yaralanma tehlikesi !

- ▶ Tüm bakım ve onarım çalışmalarından önce her zaman aküyü çıkarınız!

Ürün bakımı

- Yapışmış olan kirleri dikkatle çıkartınız.
- Havalandırma deliklerini kuru, yumuşak bir fırça ile dikkatlice temizleyiniz.
- Gövdeyi sadece hafif nemli bir temizlik bezi ile temizleyiniz. Plastik parçalara yapışabileceğinden silikon içerikli bakım maddeleri kullanmayınız.
- Ürünün üzerindeki kontak noktalarını temizlemek için temiz ve kuru bir bez kullanınız.
- Çekme mekanizmasının sürgülü çubuklarını ve ek destekleri düzenli olarak temizleyiniz. Her temizlikten sonra tüm sürgülü çubuklara birkaç damla yağ uygulayınız.
- Üst gönye dayanaklarının temas yüzeylerini düzenli olarak temizleyiniz. Gerekirse temas yüzeylerini yeniden yağlayınız.

Lityum İyon akülerin bakımı

- Bir aküyü asla havalandırma delikleri tıkalıyken kullanmayınız. Havalandırma deliklerini kuru, yumuşak bir fırça ile dikkatlice temizleyiniz.
- Akünün gereksiz yere toza veya kire maruz kalmamasını sağlayınız. Aküyü asla yüksek neme maruz bırakmayınız (örneğin suya daldırmayınız veya yağmurda bırakmayınız). Bir akünün ıslanması halinde, ona hasarlı bir akü gibi davranınız. Yanıcı olmayan bir kabın içinde izole ediniz ve **Hilti** servisine başvurunuz.
- Aküyü yabancı yağ ve gresten uzak tutunuz. Akünün üzerinde gereksiz yere toz veya kir birikmesine izin vermeyiniz. Aküyü kuru, yumuşak bir fırça veya temiz, kuru bir bezle temizleyiniz. Plastik parçalara yapışabileceğinden silikon içerikli bakım maddeleri kullanmayınız. Akünün kontak noktalarına dokunmayınız ve kontak noktalarına fabrikada uygulanmış olan gresi kesinlikle çıkartmayınız.
- Gövdeyi sadece hafif nemli bir temizlik bezi ile temizleyiniz. Plastik parçalara yapışabileceğinden silikon içerikli bakım maddeleri kullanmayınız.

Bakım

- Görünür tüm parçalarda hasar olup olmadığını ve kumanda elemanlarının sorunsuz şekilde çalışıp çalışmadığını düzenli olarak kontrol ediniz.
- Hasar ve/veya fonksiyon arızaları durumunda ürünü işletmeyiniz. Ürünü gecikmeden **Hilti** servisine tamir ettiriniz.
- Bakım ve onarım çalışmalarından sonra tüm koruma tertibatlarını yerleştiriniz ve bunların fonksiyonlarını sorunsuz olarak yerine getirmekte olup olmadıklarını kontrol ediniz.



Güvenli çalışma için sadece orijinal yedek parçalar ve tüketim malzemeleri kullanınız. **Hilti** tarafından onaylanmış, yedek parçaları, aksesuarları ve sarf malzemelerini **Hilti Store** veya şu adreste bulabilirsiniz: www.hilti.group

7.1 Koruma tertibatının temizlenmesi

1. Testere bıçağını sökünüz. → Sayfa 222
2. Koruma tertibatlarını dikkatlice kuru bir fırça ile temizleyiniz.
3. Koruma tertibatlarının iç kısımlarında bulunan tortuları ve talaşları uygun bir alet ile temizleyiniz.
4. Testere bıçağını takınız. → Sayfa 221

7.2 Emme adaptörünün ve bağlantı hortumunun temizlenmesi **17**

1. Toz torbasını veya toz emiciye bağlı emme hortumunu çıkarınız.
2. Testere başındaki bağlantı hortumunun sabitleme vidasını gevşetiniz (1).



3. Bağlantı hortumunu testere başından (2) ve emme adaptöründen çekiniz.
4. Bağlantı hortumunu boşaltın ve kuru bir fırça ile temizleyiniz.
5. Testere başındaki talaş kanalını ve emme adaptörünü kuru bir fırçayla temizleyiniz.
6. Bağlantı hortumunu tekrar emme adaptörüne ve testere başına takınız.
7. Testere başındaki bağlantı hortumunun sabitleme vidasını sıkınız.
8. Toz torbasını takınız veya toz emiciyi yeniden bağlayınız. → Sayfa 221

7.3 Toz torbasının boşaltılması

1. Toz torbasını emme adaptöründen çekiniz.
2. Toz torbasının fermuarını açınız ve içindekileri uygun şekilde imha ediniz.
3. Toz torbasının fermuarını kapatınız.
4. Toz torbasını yeniden emme adaptörüne takınız. → Sayfa 221

7.4 Ayarların ve göstergelerin kontrol edilmesi ve ayarlanması

Gönye testere fabrikada dikkatlice ayarlanmış ve kalibre edilmiştir. Bununla birlikte, yoğun kullanım veya sert kullanımdan sonra testerenin ayarlarını ve göstergelerini kontrol etmek ve gerekirse ayarlamak gerekebilir. Testereyi kontrol etmek ve ayarlamak için deneyime ve özel aletlere ihtiyacınız vardır.

Hilti, testerenin sadece **Hilti** servisi tarafından ayarlanmasını tavsiye etmektedir.



Herhangi bir test ve ayar çalışması sırasında, açılı gönyesi ile testere dişlerinin uçlarına dokunmayınız. Bu, yanlış bir ölçüme neden olabilir. Açılı gönyesi her zaman ana bıçağa uygun olmalıdır.

7.4.1 Dikey gönye açısının kontrol edilmesi

1. Testere başını dayanak noktasına kadar geriye (kendinizden uzağa) doğru itiniz.
2. Derinlik mesnedinin dayanak plakasını, testere başı indirildiğinde derinlik mesnedi açıklıktan geçecek şekilde ayarlayınız. → Sayfa 222
3. Yatay gönye açısını 0°'ye ayarlayınız.
4. Testere başını aşağı bastırınız ve testere başını kilitlemek için taşıma emniyetini içeri itiniz.
5. Dikey gönye açısını 0°'ye ayarlayınız.
6. Bir açılı gönyesini 90°'ye ayarlayınız.
7. Açılı gönyesini testere tablası üzerine dikey konumda ve aynı hizada yerleştiriniz.
8. Açılı gönyesini testere bıçağına doğru hareket ettiriniz.
 - ▶ Açılı gönyesi, tüm hat boyunca testere bıçağı ile aynı hizada olmalıdır.
9. Dikey gönye açısını sağa doğru 45° olarak ayarlayınız.
10. Açılı gönyesini 45°'ye ayarlayınız (sol taraftan ölçüm için alternatif olarak 135°).
11. Açılı gönyesini testere tablası üzerine dikey konumda ve aynı hizada yerleştiriniz.
12. Açılı gönyesini testere bıçağına doğru hareket ettiriniz.
 - ▶ Açılı gönyesi, tüm hat boyunca testere bıçağı ile aynı hizada olmalıdır.
13. 45° sol dikey gönye açısı için adımları tekrarlayınız.

Sonuç 1 / 2

Açılı gönyesi, her üç ölçümde de testere bıçağı ile aynı hizadadır.

- ▶ Testere doğru şekilde ayarlanmıştır.

Sonuç 2 / 2

Açılı gönyesi ve testere bıçağı bir veya daha fazla ölçümde aynı hizada değil.

- ▶ **Hilti** servisi ile irtibat kurunuz.

7.4.2 Dikey gönye açısı ibresinin ayarlanması

1. Dikey gönye açısını tam hassasiyet bakımından kontrol ediniz. → Sayfa 228
2. Dikey gönye açısını 0°'ye ayarlayınız.
3. Dikey gönye açısı ibresinin sabitleme vidasını gevşetiniz ve tam olarak 0° göstergesine ayarlayınız.
4. Sabitleme vidasını tekrar elle sıkınız. İbreyi tam olarak 0° göstergesinde tutunuz.
5. Gerekirse dikey gönye açısının ikinci ibresi için adımı tekrarlayınız.
6. Gerçek dikey gönye açısının ve 45° sağ ve 45° sol açılara ait iki ibrenin eşleşip eşleşmediğini kontrol ediniz.
 - ▶ Kontrol sırasında bir ibre bir veya daha fazla noktada gerçek açiya uymuyorsa ve yeterince ayarlanamıyorsa, **Hilti** servisine başvurunuz.



7.4.3 Yatay gönye açısının kontrol edilmesi

1. Testere başını dayanak noktasına kadar geriye (kendinizden uzağa) doğru itiniz.
2. Derinlik mesnedinin dayanak plakasını, testere başı indirildiğinde derinlik mesnedi açıklıktan geçecek şekilde ayarlayınız. → Sayfa 222
3. Dikey gönye açısını 0°'ye ayarlayınız.
4. Testere başını aşağı bastırınız ve testere başını kilitlemek için taşıma emniyetini içeri itiniz.
5. Yatay gönye açısını 0°'ye ayarlayınız.
6. Bir aç gönyesini 90°'ye ayarlayınız.
7. Aç gönyesini düz konumda testere tablasına ve aynı hizada olacak şekilde gönye dayanağına yerleştiriniz.
8. Aç gönyesini testere bıçağına doğru hareket ettiriniz.
 - ▶ Aç gönyesi, tüm hat boyunca testere bıçağı ile aynı hizada olmalıdır.
9. Yatay gönye açısını sağa doğru 45° olarak ayarlayınız.
10. Aç gönyesini 45°'ye ayarlayınız (sol taraftan ölçüm için alternatif olarak 135°).
11. Aç gönyesini düz konumda testere tablasına ve aynı hizada olacak şekilde gönye dayanağına yerleştiriniz.
12. Aç gönyesini testere bıçağına doğru hareket ettiriniz.
 - ▶ Aç gönyesi, tüm hat boyunca testere bıçağı ile aynı hizada olmalıdır.
13. 45° sol yatay gönye açısı için adımları tekrarlayınız.

Sonuç 1 / 2

Aç gönyesi, her üç ölçümde de testere bıçağı ile aynı hizadadır.

- ▶ Testere doğru şekilde ayarlanmıştır.

Sonuç 2 / 2

Aç gönyesi ve testere bıçağı bir veya daha fazla ölçümde aynı hizada değil.

- ▶ Yatay gönye açısını ayarlayınız veya Hilti servisiyle irtibat kurunuz. → Sayfa 229

7.4.4 Yatay gönye açısının ve ölçeğin ayarlanması **20**

1. Döner tablayı 0° konumunda kilitleyiniz.
2. Döner tabla üzerindeki sabitleme butonunu gevşetiniz.
3. Yatay gönye açısı ölçeğindeki dört sabitleme vidasını gevşetiniz.
4. Bir aç gönyesini 90°'ye ayarlayınız.
5. Aç gönyesini düz konumda testere tablasına ve aynı hizada olacak şekilde gönye dayanağına yerleştiriniz.
6. Aç gönyesini testere bıçağına doğru hareket ettiriniz. Aç gönyesini kullanarak yatay gönye açısının ölçeği de dahil olmak üzere döner tablayı ayarlayınız.
 - ▶ Aç gönyesi, tüm hat boyunca testere bıçağı ile aynı hizada olmalıdır.
7. Döner tablanın hareket etmesini önlemek için döner tabla üzerindeki sabitleme butonunu sıkınız.
8. Yatay gönye açısı ölçeğindeki dört sabitleme vidasını sıkınız.
9. 45° sağ ve 45° sol yatay gönye açılarını kontrol ediniz. → Sayfa 229

Sonuç 1 / 2

Aç gönyesi, 45° sağ ve 45° sol yatay gönye açıları için tüm hat boyunca testere bıçağı ile aynı hizadadır.

- ▶ Testere doğru şekilde ayarlanmıştır.

Sonuç 2 / 2

Aç gönyesi ve testere bıçağı bir veya daha fazla ölçümde aynı hizada değil.

- ▶ Hilti servisi ile irtibat kurunuz.

7.4.5 Yatay gönye açısı ibresinin ayarlanması **21**

1. Yatay gönye açısını tam hassasiyet bakımından kontrol ediniz. → Sayfa 229
2. Gerekirse yatay gönye açısını ayarlayınız. → Sayfa 229
3. Yatay gönye açısını 0°'ye ayarlayınız.
4. Yatay gönye açısı ibresinin sabitleme vidasını gevşetiniz ve tam olarak 0° göstergesine ayarlayınız.
5. Sabitleme vidasını tekrar elle sıkınız. İbreyi tam olarak 0° göstergesinde tutunuz.
6. Gerekirse ikinci yatay gönye açısı ibresi için adımı tekrarlayınız.
7. Gerçek yatay gönye açısının ve 45° sağ ve 45° sol açılara ait iki ibrenin eşleşip eşleşmediğini kontrol ediniz.
 - ▶ Kontrol sırasında bir ibre bir veya daha fazla noktada gerçek açığa uymuyorsa ve yeterince ayarlanmıyorsa, Hilti servisine başvurunuz.



7.5 Toz toplayıcının değiştirilmesi 22

⚠ İKAZ

Yanlış takılan saptırıcı nedeniyle yaralanma tehlikesi. Bir saptırıcı yanlış şekilde monte edilirse, testere bıçağı sıkışabilir. Saptırıcı veya testere bıçağı kırılabilir ve parçaları dışarı fırlayabilir.

► Saptırıcıları takarken, doğru şekilde takıldıklarından emin olunuz. Saptırıcının yaylı kısmı, testere bıçağından uzağa bakmalıdır.

1. Bir taraftaki sabitleme vidalarını (1) gevşetiniz ve saptırıcıyı (3) çıkarınız.
2. Karşı taraftaki sabitleme vidalarını gevşetiniz ve ikinci saptırıcıyı ve toz toplayıcıyı (2) çıkarınız.
3. Yeni toz toplayıcıyı (2) ve saptırıcıyı (3) yerleştiriniz.
 - Saptırıcının doğru yerleştirildiğinden emin olunuz.
4. Her iki parçayı da sabitleme vidaları ile vidalayınız.
5. İkinci saptırıcıyı ve karşı taraftaki toz toplayıcıyı vidalayınız.
 - Saptırıcının doğru yerleştirildiğinden emin olunuz.
 - Toz toplayıcının ve her iki saptırıcının sağlam bir şekilde yerine oturup oturmadığını kontrol ediniz.

7.6 Oluklu plakaların değiştirilmesi 23

Oluklu plakalar fabrikada testere bıçağıyla temas etmeyecek şekilde ayarlanmıştır. Bununla birlikte, oluklu plakalar belirli bir miktar aşınmaya maruz kalır. **Hilti**, yedek parça olarak oluklu plakaları sunmaktadır. Bunlar, kullanıcı tarafından hızlı ve kolay bir şekilde değiştirilebilir.

1. Oluklu plakaların tüm sabitleme vidalarını sökünüz ve aşınmış oluklu plakaları imha ediniz.
2. Yeni oluklu plakaları yerleştiriniz.
3. Sabitleme vidalarını gevşekçe sıkınız, böylece oluklu plakalar hala hareket ettirilebilir.
4. Oluklu plakaların konumunu, testere bıçağı bunlara temas etmeyecek şekilde ayarlayınız.
 - Özellikle sağ ve soldaki maksimum dikey gönye açılarını kontrol ediniz.
 - Diğer tüm yatay ve dikey gönye açılarını da kontrol ediniz.
5. Başarılı bir ayar sonrasında tüm sabitleme vidalarını elle sıkınız.

8 Akülü aletlerin ve akülerin taşınması ve depolanması 24, 25

Gönye testerenin taşınması

Testereyi taşımadan önce aşağıdaki adımları uygulayınız:

- Testere başını dayanak noktasına kadar geriye (kendinizden uzağa) doğru itiniz.
- Çekme mekanizmasını kilitleyiniz. → Sayfa 222
- Derinlik mesnedinin dayanak plakasını, testere başı indirildiğinde derinlik mesnedi açıklıktan geçecek şekilde ayarlayınız. → Sayfa 222
- Dikey gönye açısını 0°'ye ayarlayınız.
- Testere başını aşağı bastırınız ve testere başını kilitlemek için taşıma emniyetini içeri itiniz.
- Gerekirse ek destekleri sonuna kadar içeri itiniz. → Sayfa 222
- Yatay gönye açısını dayanak noktasına kadar sağa ayarlayınız (60°) ve döner tablayı yerine oturtunuz.
- Testereyi sıkı bir şekilde monte edilemeyen tüm aksesuarları (örn. vidalı kelepçe) çıkarınız.
- Gerekirse, sabitleme butonunu sökünüz ve üst gönye dayanağının arkasındaki braketlerden birine kenetleyiniz.

Testereyi sadece öngörülen yerlerinden tutarak taşıyınız:

- Ek desteklerin altındaki gömme tutamaklar (1)
- Toz emme sisteminin yanındaki arka kısımda bulunan gömme tutamak (2)
- Testere başındaki tutamak (3)

Akülerin taşınması

⚠ DİKKAT

Taşıma sırasında aletin istem dışı çalışması !

► Ürünlerinizi her zaman aküler takılı olmadan taşıyınız!

- Aküleri çıkartınız.
- Aküleri kesinlikle sıkıca bağlanmamış koruma ile nakletmeyiniz. Nakliye sırasında, aküler aşırı şok ve titreşimlerden korunmalı ve başka akü kutupları ile temas ederek kısa devreye neden olmaları için, her



türlü iletken malzeme veya diđer akülerden izole edilmiş olmalıdır. **Aküler için yerel taşıma talimatlarını dikkate alınız.**

- ▶ Aküler posta ile gönderilmemelidir. Hasarsız aküleri sevk etmek istemeyen halinde, bir nakliye şirketine başvurunuz.
- ▶ Ürünün ve akülerin hasar görmüş olup olmadığını her kullanımdan önce olduğu gibi uzun taşımaldan önce ve sonra kontrol ediniz.

Depolama

İKAZ

Arızalı veya akan aküler nedeniyle beklenmeyen hasar oluşumu !

- ▶ Ürünlerinizi her zaman aküleri yerleştirmeden depolayınız!
- ▶ Ürünü ve aküleri serin ve kuru bir yerde muhafaza ediniz. Teknik verilerde belirtilen sıcaklık sınır değerlerini dikkate alınız.
- ▶ Aküleri şarj cihazının üzerinde muhafaza etmeyiniz. Şarj işleminden sonra her zaman aküyü şarj cihazından çıkartınız.
- ▶ Aküleri kesinlikle güneşte, ısı kaynakların üzerinde veya cam arkasında muhafaza etmeyiniz.
- ▶ Ürünü ve aküleri çocukların ve yetkisiz kişilerin ulaşamayacağı yerlerde muhafaza ediniz.
- ▶ Ürünün ve akülerin hasar görmüş olup olmadığını her kullanımdan önce olduğu gibi uzun süreli depolamalardan önce ve sonra kontrol ediniz.

9 Arıza durumunda yardım

Herhangi bir arıza durumunda akülerin durum göstergesine dikkat ediniz. Bkz. Bölüm **Lityum İyon akü göstergeleri**.

Bu tabloda listelenmemiş veya kendi başınıza gideremediğiniz arızalarda lütfen yetkili **Hilti** servisimiz ile irtibat kurunuz.

Arıza	Olası sebepler	Çözüm
Devir sayısı aniden çok düşüyor.	Akü deşarj olmuş. Besleme gücü çok yüksek.	▶ Aküyü şarj ediniz. ▶ Besleme gücünü düşürünüz ve ürünü tekrar çalıştırınız.
Testere bıçağı duruyor.	Besleme gücü çok yüksek.	▶ Besleme gücünü düşürünüz ve ürünü tekrar çalıştırınız.
Motorda frenleme fonksiyonu yok.	Akü deşarj olmuş.	▶ Aküyü şarj ediniz.
Kesme açıları hatalı.	Açı hassasiyeti, ölçekler veya ibreler yanlış ayarlanmış.	▶ Ayarları ve göstergeleri kontrol edin ve ayarlayınız. → Sayfa 228 ▶ Bir ayarı kendiniz yapamıyorsanız veya testerenin hassasiyeti çok fazla sapma gösteriyorsa, Hilti servisine başvurunuz.
Akülerin LED'lerinde hiçbir şey görüntülenmiyor	Akü arızalı	▶ Hilti servisi ile irtibat kurunuz.

10 İmha

İKAZ

Usulüne uygun olmayan imha nedeniyle yaralanma tehlikesi! Dışarı çıkan gaz ve sıvılar nedeniyle sağlık sorunları.

- ▶ Hasar görmüş aküleri hiç bir şekilde göndermeyiniz!
- ▶ Kısa devreleri önlemek için, akünün bağlantılarını iletken olmayan bir malzeme ile kapatınız.
- ▶ Aküleri, çocukların ellerine geçmeyecek şekilde imha ediniz.
- ▶ Aküyü size en yakın **Hilti Store**'da imha ediniz veya imha etmek için yetkili şirketinize başvurunuz.

Hilti ürünleri yüksek oranda tekrar kullanılabilen malzemelerden üretilmiştir. Geri dönüşüm için gerekli koşul, usulüne uygun malzeme ayrımıdır. Çoğu ülkede **Hilti** eski aletlerini yeniden değerlendirmek üzere geri alır. Bu konuda **Hilti** müşteri hizmetlerinden veya satış temsilcilerinizden bilgi alabilirsiniz.





► Elektrikli el aletlerini, elektronik cihazları ve aküleri evdeki çöplere atmayınız!

11 Üretici garantisi

► Garanti koşullarına ilişkin sorularınız için lütfen yerel **Hilti** iş ortağınıza başvurunuz.

12 Diğer bilgiler

Kullanım, teknoloji, çevre ve geri dönüşüm hakkında daha fazla bilgi aşağıdaki bağlantıda bulunabilir:
qr.hilti.com/manual/?id=2395172&id=2395174


Bu bağlantıyı aynı zamanda kullanım kılavuzunun sonunda QR kodu olarak da bulabilirsiniz.



دليل الاستعمال الأصلي

1 بيانات بخصوص دليل الاستعمال

1.1 خاص بدليل الاستعمال هذا

- تذكير! قبل أن تستخدم المنتج، تأكد أنك قد قرأت واستوعبت دليل الاستعمال المرفق مع المنتج، بما في ذلك الإرشادات وتعليمات السلامة والتحذير والصور والمواصفات. تعرف بصفة خاصة على جميع الإرشادات وتعليمات السلامة والتحذير والصور والمواصفات وكذلك المكونات والوظائف. في حالة عدم مراعاة ذلك، يكون هناك خطر حدوث صعق كهربائي أو نشوب حريق و/أو وقوع إصابات بالغة. احتفظ بدليل الاستعمال شاملاً جميع الإرشادات وتعليمات السلامة والتحذير للاستخدام اللاحق.
- دليل الاستعمال المرفق يتطابق مع الوضع المالي للتقنية وقت الطباعة. يمكنك دائماً العثور على الإصدار أونلاين على صفحة المنتج Hilti. ولهذا الغرض، اتبع الرابط أو كود QR في دليل الاستعمال هذا والمميز بالرمز .
- لا يجوز تسليم المنتج إلى أي شخص إلا مع دليل الاستعمال هذا.

2.1 شرح العلامات

1.2.1 إرشادات تحذيرية

تنبه الإرشادات التحذيرية إلى الأخطار الناشئة عند التعامل مع الجهاز. يتم استخدام الكلمات الدلالية التالية:

خطر 

خطر!

تشير لخطر مباشر يؤدي لإصابات جسدية خطيرة أو إلى الوفاة.

تحذير 

تحذير!

تشير لخطر محتمل قد يؤدي لإصابات جسدية خطيرة أو إلى الوفاة.







احترس! 

احترس!

تشير لموقف خطر محتمل يمكن أن يؤدي لإصابات جسدية أو أضرار مادية.

2.2.1 الرموز في دليل الاستعمال

يتم استخدام الرموز التالية في دليل الاستعمال هذا:

	يُراعى دليل الاستعمال
	إرشادات الاستخدام ومعلومات أخرى مفيدة.
	التعامل مع مواد قابلة لإعادة التدوير
	لا تتخلص من الأجهزة الكهربائية البطاريات ضمن القمامة المنزلية
	Hilti بطارية أيونات الليثيوم
	Hilti جهاز الشمن

3.2.1 الرموز في الصور

تستخدم الرموز التالية في الرسوم التوضيحية:

2	تشير هذه الأعداد إلى الصورة المعنية في بداية دليل الاستعمال هذا.
3	تشير الأرقام في الصور إلى خطوات العمل المهمة أو إلى الأجزاء المهمة لخطوات العمل. يتم إبراز هذه الخطوات أو الأجزاء في النص من خلال الأرقام، على سبيل المثال (3).



يتم استخدام أرقام المواضع في صورة العرض العام وهي تشير إلى أرقام تعليق الصورة في فصل عرض عام للمنتج.	11
هذه العلامة من شأنها أن تُثير انتباهك جيدا عند التعامل مع المنتج.	!

3.1 الرموز المرتبطة بالمنتج

1.3.1 الرموز العامة

الرموز المتعلقة بالمنتج التي يتم استخدامها.

يدعم المنتج تقنية NFC المتوافقة مع أنظمة التشغيل iOS و Android.	
تيار مستمر	
عدد اللغات الاسمي في الوضع المحايد	n0
القطر	
أبعاد شفرة المنشار	
لا تنظر في مصدر الضوء مباشرة.	
بطارية أيونات الليثيوم	Li-Ion
لا تطرق على البطارية أبدًا بشيء ولا تستخدم البطارية أبدًا كأداة للطرق.	
لا تدع البطارية تسقط. لا تستخدم بطارية تعرضت لصدمات أو أي نوع آخر من التلفيات.	

2.3.1 علامة الحظر

تشير علامات الحظر إلى الإجراءات المحظورة.

نطاق الخطر! أبعد يديك وأصابعك وذراعيك عن هذا النطاق.	
--	--

3.3.1 علامات التوصية

تشير العلامات الإلزامية إلى إجراءات ملزمة.

استخدم واقية الأذنين	
استخدام واقي للعينين	

4.1 معلومات المنتج

منتجات **HILTI** مصممة للمستخدمين المحترفين ويقتصر استعمالها وصيانتها وإصلاحها على الأشخاص المعتمدين والمدربين جيدا. هؤلاء الأشخاص يجب أن يكونوا قد تلقوا تدريباً خاصاً على الأخطار الطارئة. قد يتسبب الجهاز وأدواته المساعدة في حدوث أخطار إذا تم التعامل معها بشكل غير سليم فنياً من قبل أشخاص غير مدربين أو تم استخدامها بشكل غير مطابق للتعليمات. يوجد مسمى الطراز والرقم المسلسل على لوحة الصنع. انقل الرقم المسلسل في الجدول التالي. ستحتاج إلى بيانات المنتج في حالة الاستفسارات الموجهة إلى ممثلينا أو مركز الخدمة.

بيانات المنتج

منشار تلسين للقطع المشطوب عامل بالبطارية	SM 60-22
الجيل	01
الرقم المسلسل	



تعلم الجبة الصانعة على مسؤوليتها وحدها بأن المنتج المشروح هنا يتوافق مع التشريعات والمعايير المعمول بها. تجد صورة لبيان المطابقة في نهاية هذا المستند.

المستندات الفنية محفوظة هنا:

Hilti Entwicklungsgesellschaft mbH | Zulassung Geräte | Hiltistraße 6 | 86916 Kaufering, DE

2 السلامة

1.2 إرشادات السلامة العامة المتعلقة بالأدوات الكهربائية

⚠ تحذير احرص على قراءة جميع إرشادات السلامة، التوجيهات، الصور التوضيحية والمواصفات الفنية المرفقة مع هذه الأداة الكهربائية. أي تقصير أو إهمال في الالتزام بالتعليمات التالية قد يتسبب في حدوث صعق كهربائي، نشوب حريق و/أو وقوع إصابات خطيرة.

احتفظ بجميع مستندات إرشادات السلامة والتعليمات لاستخدامها عند الحاجة إليها فيما بعد.

يقصد بمصطلح «الأداة الكهربائية» المذكور في إرشادات السلامة الأدوات الكهربائية المشغلة بالكهرباء (باستخدام كابل الكهرباء) أو الأدوات الكهربائية المشغلة بالبطاريات (بدون كابل الكهرباء).

سلامة مكان العمل

- حافظ على نطاق عملك نظيفاً ومضاءً بشكل جيد. الفوضى أو أماكن العمل غير المضاءة يمكن أن تؤدي لوقوع حوادث.
- لا تعمل بالأداة الكهربائية في محيط معرض لخطر الانفجار يتواجد به سوائل أو غازات أو أنواع غبار قابلة للاشتعال. الأدوات الكهربائية تولد شرراً يمكن أن يؤدي لإشعال الغبار والأبخرة.
- احرص على إبعاد الأطفال والأشخاص الآخرين أثناء استخدام الأداة الكهربائية. في حالة انصراف انتباهك قد تفقد السيطرة على الجهاز.

السلامة الكهربائية

- يجب أن يكون قابس توصيل الأداة الكهربائية متلائماً مع المقبس. لا يجوز تعديل القابس بأي حال من الأحوال. لا تستخدم قوايس مهايأة مع أدوات كهربائية ذات وصلة أرضي محمية. القوايس غير المعدلة والمقاس الملائمة تقلل من خطر حدوث صدمة كهربائية.
- تجنب حدوث تلامس للجسم مع أسطح مؤرضة مثل الأسطح الخاصة بالمواسير وأجهزة التدفئة والمواقد والثلاجات. ينشأ خطر متزايد من حدوث صدمة كهربائية عندما يكون جسمك متصلاً بالأرض.
- أبعد الأدوات الكهربائية عن الأمطار أو البلل. تسرب الماء إلى داخل الأداة الكهربائية يزيد من خطر حدوث صدمة كهربائية.
- لا تستخدم كابل التوصيل لحمل الأداة الكهربائية أو تعليقها أو لسحب القابس من المقبس. احتفظ بكابل التوصيل بعيداً عن السخونة والزيت والحواف الحادة والأجزاء المتحركة. كابلات التوصيل التالفة أو المتشابكة تزيد من خطر حدوث صعق كهربائي.
- عندما تعمل بأداة كهربائية في مكان مكشوف، فلا تستخدم سوى كابلات الإطالة المناسبة للعمل في النطاق الخارجي. استخدام كابل إطالة مناسب للعمل في النطاق الخارجي يقلل من خطر حدوث صعق كهربائي.
- إذا تعذر تجنب تشغيل الأداة الكهربائية في محيط رطب، فاستخدم مفتاح حماية من تسرب التيار. استخدام مفتاح الحماية من تسرب التيار يقلل خطر حدوث صدمة كهربائية.

سلامة الأشخاص

- كن يقظاً وانتبه لما تفعل وتعامل مع الأداة الكهربائية بتعقل عند العمل بها. لا تستخدم الأداة الكهربائية عندما تكون متعباً أو تحت تأثير المخدرات أو الكحوليات أو العقاقير. فقد يتسبب عدم الانتباه للحظة واحدة أثناء الاستخدام في حدوث إصابات بالغة.
- ارتد تجهيزات وقاية شخصية وارتد دائماً نظارة واقية. ارتداء تجهيزات وقاية شخصية، مثل قناع الوقاية من الغبار وأحذية الأمان المضادة للانزلاق وخوذة الوقاية أو واقي السمع، تبعاً لنوع واستخدام الأداة الكهربائية، يقلل من خطر الإصابات.
- تجنب التشغيل بشكل غير مقصود. تأكد أن الأداة الكهربائية مطفأة قبل توصيلها بالكهرباء و/أو بالبطارية وقبل رفعها أو حملها. إذا كان إصبعك على المفتاح عند حمل الأداة الكهربائية أو كان الجهاز في وضع التشغيل عند التوصيل بالكهرباء، فقد يؤدي ذلك لوقوع حوادث.
- أبعد أدوات الضبط أو مفاتيح ربط البراغي قبل تشغيل الأداة الكهربائية. الأداة أو المفتاح المتواجد في جزء دوار من الجهاز يمكن أن يؤدي لحدوث إصابات.



- ◀ تجنب اتخاذ وضع غير طبيعي للجسم. احرص على أن تكون واقفا بأمان وحافظ على توازنك في جميع الأوقات. من خلال ذلك تستطيع السيطرة على الأداة الكهربائية بشكل أفضل في المواقف المفاجئة.
- ◀ ارتد ملابس مناسبة. لا ترتد ملابس فضفاضة أو حلي. احرص على أن يكون الشعر والملابس والقفازات بعيدة عن الأجزاء المتحركة. الملابس الفضفاضة أو الحلي أو الشعر الطويل يمكن أن تشبك في الأجزاء المتحركة.
- ◀ إذا أمكن تركيب تجهيزات شفط وتجميع الغبار، فتأكد أنها موصلة ومستخدمة بشكل سليم. استخدام تجهيز شفط الغبار يمكن أن يقلل الأخطار الناتجة عن الغبار.
- ◀ لا تعتقد بأنك في مأمن عن الخطر ولا تتجاهل تشریحات السلامة المعنية للأدوات الكهربائية، حتى وإن كنت على دراية بالأداة الكهربائية بعد تكرار استخدامها. التعامل مع الجهاز بدون حذر قد يؤدي إلى وقوع إصابات بالغة في جزء من الثانية.

استخدام الأداة الكهربائية والتعامل معها

- ◀ لا تفرط في التحميل على الجهاز. استخدم الأداة الكهربائية المناسبة للعمل الذي تقوم به. استخدام الأداة الكهربائية المناسبة يتبع لك العمل بشكل أفضل وأكثر أماناً في نطاق العمل المقرر.
- ◀ لا تستخدم أداة كهربائية ذات مفتاح تالف. الأداة الكهربائية التي لم يعد يمكن تشغيلها أو إطفائها تمثل خطورة ويجب إصلاحها.
- ◀ اسحب القابس من المقبس و/أو اخلع البطارية القابلة للخلع من الجهاز قبل إجراء عمليات الضبط، أو استبدال أجزاء الملحقات أو عند ترك الجهاز. هذا الإجراء الوقائي يمنع بدء تشغيل الأداة الكهربائية دون قصد.
- ◀ احتفظ بالأدوات الكهربائية غير المستخدمة بعيداً عن متناول الأطفال. لا تسمح باستخدام الجهاز من قبل أشخاص ليسوا على دراية به أو لم يقرأوا هذه التعليمات. الأدوات الكهربائية خطيرة في حالة استخدامها من قبل أشخاص ليست لديهم الخبرة الواجبة.
- ◀ اعتني جيداً بالأدوات الكهربائية والملحقات. افحص الأجزاء المتحركة من حيث أدائها لوظيفتها بدون مشاكل وعدم انحصارها وافحصها من حيث وجود أجزاء مكسورة أو متعرضة للضرر يمكن أن تؤثر سلباً على وظيفة الأداة الكهربائية. اعمل على إصلاح الأجزاء التالفة قبل استخدام الجهاز. الكثير من الحوادث مصدرها الأدوات الكهربائية التي تم صيانتها بشكل رديء.
- ◀ حافظ على أدوات القطع حادة ونظيفة. تتميز أدوات القطع ذات حواف القطع المادة المعتنى بها بدقة بأنها أقل عرضة للتعثُر وأسهل في التعامل.
- ◀ استخدم الأداة الكهربائية والملحقات وأدوات العمل وخلافه طبقاً لهذه التعليمات. احرص في هذه الأثناء على مراعاة اشتراطات العمل والمهمة المراد تنفيذها. استخدام الأدوات الكهربائية في تطبيقات غير تلك المقررة لها يمكن أن يؤدي لمواقف خطيرة.
- ◀ حافظ على المقابض ومواضع المسك في حالة جافة ونظيفة وخالية من الزيت والشحم. المقابض ومواضع المسك الانزلاقية تحول دون استعمال الأداة الكهربائية والتحكم بها بشكل آمن في المواقف غير المتوقعة.

استخدام الأداة العاملة بالبطارية والتعامل معها

- ◀ لا تشحن البطارية إلا في أجهزة شحن موصى بها من قبل الجهة الصانعة. بالنسبة لجهاز الشحن المناسب لنوع معين من البطاريات، ينشأ خطر الحريق عند استخدامه مع بطاريات أخرى.
- ◀ لا تضع في الأدوات الكهربائية سوى البطاريات المخصصة لها. استخدام بطاريات أخرى يمكن أن يؤدي لوقوع إصابات وخطر الحريق.
- ◀ أبعد البطارية غير المستخدمة عن مشابك الورق وقطع النقود المعدنية والمفاتيح والمسامير والبراغي أو الأشياء المعدنية الصغيرة الأخرى التي يمكن أن تتسبب في توصيل الملامسين لبعضهما. حدوث قفلة كهربائية بين أطراف توصيل البطارية يمكن أن ينتج عنه حدوث حروق أو نشوب حريق.
- ◀ عند الاستخدام بشكل خاطئ يمكن أن يتسرب سائل من البطارية. تجنب ملامسته. اشطفه بالماء في حالة ملامسته عن طريق الخطأ. إذا وصل السائل للعينين، فتوجه للطبيب علاوة على ذلك. سائل البطارية المتسرب يمكن أن يؤدي لتبيح البشرة أو حدوث حروق.
- ◀ لا تستخدم بطارية تالفة أو مختلفة. البطاريات التالفة أو المختلفة قد تتفاعل مع نفسها بشكل غير متوقع مما يؤدي لنشوب حريق أو حدوث انفجار أو وقوع إصابات.
- ◀ لا تعرض البطارية للنار أو لدرجات حرارة مرتفعة للغاية. حيث قد تؤدي النار ودرجات الحرارة الزائدة عن 130 م° (ف° 265) إلى حدوث انفجار.
- ◀ التزم بكافة التعليمات المعنية بالشحن، ولا تقم أبداً بشحن البطارية أو الأداة العاملة بالبطارية خارج نطاق درجة الحرارة الوارد ذكره في دليل التشغيل. الشحن بشكل خاطئ أو خارج نطاق درجة الحرارة المسموح به قد يتلف البطارية ويزيد من خطر الحريق.



- ◀ **اعمل على إصلاح أدواتك الكهربائية على أيدي فنيين معتمدين فقط والاقصر على استخدام قطع الغيار الأصلية.** وبذلك تتأكد من الحفاظ على سلامة الجهاز.
- ◀ **لا تقم أبداً بصيانة البطاريات التالفة.** يجب أن تتم جميع أعمال الصيانة بمعرفة الجهة الصانعة فقط أو من خلال مراكز خدمة العملاء المعتمدين.

2.2 إرشادات السلامة الخاصة بمناشير التلسين للقطع المشطوب

- ◀ **مناشير التلسين للقطع المشطوب مخصصة لقطع الخشب أو المنتجات الشبيهة به، ولا يمكن استخدامها لقطع المواد الحديدية مثل القضبان والأسياخ والبراغي وما إلى ذلك.** يتسبب الغبار الكاشط في انسداد الأجزاء المتحركة مثل الغطاء الواقي السفلي. يؤدي الشر الناتج عن القطع إلى حرق الغطاء الواقي السفلي ولوحة البيانات المدرجة والأجزاء البلاستيكية الأخرى.
- ◀ **قم بتثبيت قطعة العمل قدر الإمكان باستخدام قامطات.** عند الإمساك بقطعة العمل يدويًا، احتفظ بيدك دائمًا على بعد 100 مم (4 بوصات) على الأقل من كل جانب من جوانب شفرة المنشار. لا تستخدم هذا المنشار لقطع صغيرة جدًا بحيث لا يمكن تثبيتها أو الإمساك بها باليد. إذا كانت يدك قريبة جدًا من شفرة المنشار، فهناك خطر متزايد للإصابة نتيجة ملامسة شفرة المنشار.
- ◀ **يجب أن تكون قطعة الشغل غير متحركة ومثبتة أو مضغوطة باتجاه المصد والطاوله.** لا تدفع قطعة الشغل إلى داخل شفرة المنشار ولا تقطعها «بيديك» أبدًا. يمكن أن تتطاير قطع الشغل غير المثبتة أو المتحركة بسرعة عالية مما يؤدي إلى وقوع إصابات.
- ◀ **حرك المنشار خلال قطعة الشغل.** تجنب سحب المنشار من خلال قطعة الشغل. لعمل فتحة، ارفع رأس المنشار واسحبه فوق قطعة الشغل دون قطع. ثم قم بتشغيل المحرك، وبقم بتحريك رأس المنشار إلى الأسفل وادفع المنشار خلال قطعة الشغل. عند إجراء عملية قطع بالسحب، هناك خطر من ارتفاع شفرة المنشار على قطعة الشغل واندفاع وحدة شفرة المنشار بعنف تجاه المستخدم.
- ◀ **لا تمرر يدك أبدًا فوق خط القطع المقصود، سواء أمام شفرة المنشار أو خلفها.** يعد دعم قطعة الشغل «بأيدي متقاطعة» أي الإمساك بقطعة الشغل من جهة يمين شفرة المنشار بيدك اليسرى أو العكس أمرًا خطيرًا للغاية.
- ◀ **لا تمد يدك أثناء دوران شفرة المنشار إلى ما وراء المصد.** يجب ألا تقل مسافة الأمان بين يدك وشفرة المنشار الدوار عن 100 مم (4 بوصات) (ينطبق ذلك على جانبي شفرة المنشار، على سبيل المثال عند إزالة مخلفات الخشب). قد لا يكون اقتراب شفرة المنشار الدوارة من يدك ملحوظًا وقد تتعرض لإصابات خطيرة.
- ◀ **تحقق من قطعة الشغل قبل القطع.** إذا كانت قطعة العمل مثنية أو مشوهة، فقم بتثبيتها بحيث يكون الجانب المقوس للخارج جهة المصد. تأكد دائمًا من عدم وجود فجوة بين قطعة الشغل والمصد والطاوله على طول خط القطع. يمكن لقطع الشغل المنحنية أو الملتوية أن تلتوي أو تتحرك وتتسبب في انحصار شفرة المنشار الدوارة أثناء القطع. يجب ألا يكون هناك مسامير أو أجسام غريبة في قطعة الشغل.
- ◀ **لا تستخدم المنشار حتى تصبح الطاوله خالية من الأدوات وبقايا الخشب وما إلى ذلك، لا يُسمح بوجود شيء على الطاوله بخلاف قطعة الشغل.** يمكن أن تتطاير المخلفات الصغيرة أو قطع الخشب غير المثبتة أو الأشياء الأخرى التي تتلامس مع الشفرة الدوارة بسرعة عالية.
- ◀ **اقطع في كل مرة قطعة شغل واحدة.** لا يمكن شد قطع الشغل المتكدسة فوق بعضها بشكل صحيح أو تثبيتها في مكانها ويمكن أن تتسبب في انحصار الشفرة أو انزلاقها عند النشر.
- ◀ **تأكد من وضع المنشار التلسين للقطع المشطوب على سطح عمل مستو وصلب قبل الاستخدام.** يقلل سطح العمل المستو والثابت من خطر عدم استقرار منشار التلسين للقطع المشطوب.
- ◀ **خطط لعملك.** عندما تقوم بضبط ميل شفرة المنشار أو زاوية الشطب، تأكد من ضبط المصد القابل للضبط بشكل صحيح ودعم قطعة الشغل دون ملامسة الشفرة أو الغطاء الواقي. بدون تشغيل الماكينة ودون وجود قطعة الشغل على الطاوله، يجب محاكاة حركة قطع كاملة لشفرة المنشار للتأكد من عدم وجود عوائق أو خطر القطع في المصد.
- ◀ **بالنسبة لقطع الشغل الأعرض أو الأطول من سطح الطاوله، قم بتوفير الدعم المناسب، مثل امتدادات الطاوله أو سدادات النشر.** قد تنقلب قطع الشغل الأطول أو الأعرض من طاولة منشار التلسين للقطع المشطوب إذا لم يتم تدعيمها بشكل جيد. إذا انقلبت قطعة مقطوعة من الخشب أو قطعة الشغل، فقد تؤدي إلى رفع الغطاء الواقي السفلي أو قد تتطاير بعيدًا عن الشفرة الدوارة بشكل خارج عن السيطرة.



- ◀ لا تستخدم أخصافاً آخرين كبديل لامتداد الطاولة أو للحصول على تدعيم إضافي. يمكن أن يؤدي استخدام وسيلة تدعيم غير مستقرة لقطعة الشغل إلى انحصار الشفرة. يمكن أيضاً أن تتحرك قطعة الشغل أثناء القطع، وتسحب أنت والمساعد إلى الشفرة الدوارة.
- ◀ يجب عدم ضغط القطعة المقطوعة على شفرة المنشار الدوارة. إذا كانت هناك مساحة صغيرة، على سبيل المثال عند استخدام المصدات الطولية، يمكن أن تصعب القطعة المقطوعة مثبتة بالشفرة وتطايران بعيداً بعنف.
- ◀ استخدم دائماً قامطة أو تجهيزة مناسبة لتدعيم المواد المستديرة بشكل صحيح مثل القضبان أو الأنابيب. تميل القضبان إلى التدحرج عند قطعها، مما قد يتسبب في «التصاق» الشفرة وسحب يدك مع قطعة الشغل باتجاه الشفرة.
- ◀ اسمع للشفرة بالوصول إلى السرعة الكاملة قبل قطع قطعة الشغل. هذا يقلل من خطر تطاير قطعة الشغل.
- ◀ إذا أصبحت قطعة الشغل منحصرة أو تمت إعاقة الشفرة، قم بإيقاف تشغيل منشار التلسين للقطع المشطوب. انتظر حتى تتوقف جميع الأجزاء المتحركة، وافصل سلك الكهرباء و/أو قم بإزالة البطارية. ثم قم بإزالة المادة المنحصرة. إذا واصلت النشر عند حدوث إعاقة، فقد تفقد السيطرة أو تلحق أضراراً بمنشار التلسين للقطع المشطوب.
- ◀ بمجرد الانتباه من القطع، حرر المفتاح، وأبق رأس المنشار لأسفل وانتظر حتى تتوقف الشفرة قبل إزالة القطعة المقطوعة. من الخطورة جداً أن تضع يدك بالقرب من الشفرة وهي تتوقف.
- ◀ أمسك المقبض بقوة عند إجراء قطع غير مكتمل بالمنشار أو عند تحرير المفتاح قبل أن يصل رأس المنشار إلى موضعه السفلي. يمكن أن يؤدي تأثير الكبح المنشار إلى سحب رأس المنشار إلى الأسفل بشكل مفاجئ، مما يؤدي إلى خطر الإصابة.

3.2 إرشادات إضافية للسلامة

- ◀ اقتصر على استخدام المنتج والملحق وهما في حالة سليمة من الناحية الفنية.
- ◀ لا تقم أبداً بإجراء أية تدخلات أو تغييرات على المنتج أو الملحق.
- ◀ خطر الإصابة من جراء سقوط الأدوات و/أو الملحقات. تأكد قبل بدء العمل أن البطارية والملحقات المركبة مثبتة بشكل آمن.
- ◀ يمكن أن يحتوي الغبار الناتج عن التجليخ والسنفرة والقطع والثقب على مواد كيميائية خطيرة. بعض الأمثلة: الرصاص أو الدهانات التي تحتوي على الرصاص، القرמיד والخرسانة ومنتجات البناء الأخرى وأحجار البناء الطبيعية والمنتجات الأخرى المحتوية على السيليكات، بعض الأخشاب مثل البلوط والزنان والأخشاب المعالجة كيميائياً، الأسيستوس أو الفامات المحتوية على الأسيستوس. قم بتحديد مدى تعرض المستخدم والأشخاص المحيطين لفئة خطر الفامات التي يجري العمل عليها. اتخذ التدابير اللازمة للحفاظ على مدى التعرض في مستوى آمن، على سبيل المثال، استخدام نظام تجميع الغبار أو ارتداء كمامة مناسبة للتنفس. تشمل التدابير العامة للحد من مدى التعرض ما يلي:
 - ◀ العمل في نطاق جيد التهوية،
 - ◀ تجنب ملامسة الغبار لفترة طويلة،
 - ◀ إزالة الغبار عن الوجه والجسم،
 - ◀ ارتداء ملابس واقية وغسل المناطق المكشوفة بالماء والصابون.
- ◀ احرص أثناء استخدام المنتج على ارتداء نظارة واقية وخوذة حماية وواق للسمع وكمامة مناسبة للتنفس.
- ◀ خذ قسطاً من الراحة بشكل متكرر وقم بتمارين استرخاء لسريان الدم في الأصابع بشكل أفضل. عند القيام بأعمال لفترات طويلة، فقد تحدث اضطرابات في الأوعية الدموية أو الجهاز العصبي بسبب كثرة الاهتزازات على الأصابع أو الأيدي أو معصم اليد.
- ◀ احتفظ بفتحات التهوية مكشوفة دائماً. خطر حدوث حرائق بسبب فتحات التهوية المغلقة!
- ◀ لا تترك المقبض اليدوي عند تحريك رأس المنشار لأسفل. قم دائماً بإعادة رأس المنشار إلى الموضع العلوي بطريقة يمكن التحكم فيها. إذا تحرك رأس المنشار دون تحكم، فقد يؤدي ذلك إلى خطر الإصابة.
- ◀ لا تستخدم شفرات المنشار الثلثة أو المتشققة أو المنحنية أو التالفة. فشفرات المنشار ذات الأسنان الثلثة أو المتمازية بشكل غير صحيح تتسبب في زيادة الاحتكاك وانحصار شفرة المنشار وحدوث الارتداد، وذلك بفعل ضيق شق النشر.
- ◀ لا تقم أبداً بإزالة بقايا القطع ونشارة الخشب وما إلى ذلك من منطقة القطع أثناء تشغيل المنشار. قم دائماً بإيقاف تشغيل المنشار أولاً وإعادة رأس المنشار إلى الوضع العلوي.
- ◀ استخدم فقط شفرات المنشار المعتمدة للمنتج التي تتوافق مع المعلومات الواردة في البيانات الفنية و/أو الموجودة على المنتج (مثل القطر، وعدد اللفات، والسلك، وفتحة التثبيت، والمواد، وما إلى ذلك) والتي تم اختبارها وتمييزها وفقاً للمواصفة EN 847-1.



- ◀ اقتصر على استخدام شفرات المنشار التي يقل عدد لفاتها المسموح به عن الحد الأقصى لعدد اللفات المذكور على الجهاز.
- ◀ لا تلمس شفرة المنشار بعد العمل حتى تبرد. تصعب شفرة المنشار ساخنة جداً أثناء العمل.
- ◀ ارتد قفازاً واقياً أثناء تغيير شفرة المنشار.
- ◀ تحقق قبل كل استخدام من انغلاق الغطاء الواقي بشكل سليم. حرك رأس المنشار لأسفل وأعدّه إلى الوضع العلوي بطريقة يمكن التحكم فيها. لا تستخدم المنشار إذا كان الغطاء الواقي لا يتحرك بحرية ولا يغلق فوراً عند رفع رأس المنشار. لا تقم بزئق أو تثبيت الغطاء الواقي السفلي أبداً في وضع مفتوح.
- ◀ لا تستخدم المنتج أبداً بدون الغطاء الواقي.
- ◀ قم دائماً بتشغيل الأداة بسرعة منخفضة عند قطع قطاعات الألومنيوم.
- ◀ استخدم دائماً الدعامات الإضافية المرفقة بالمنتج و قم بتثبيتها.
- ◀ عند نقل المنتج، لا تتعامل معه إلا في الأماكن المخصصة لذلك (تجاويف المسك ومقبض النقل). لا تحمل الأداة الكهربائية أبداً من الذراع الإنزلاقي أو المقبض اليدوي. – صفحة 254
- ◀ تجنب وصول رؤوس أسنان المنشار إلى درجات حرارة مفرطة. أثناء نشر الخامات البلاستيكية يجب تجنب انصهار البلاستيك.

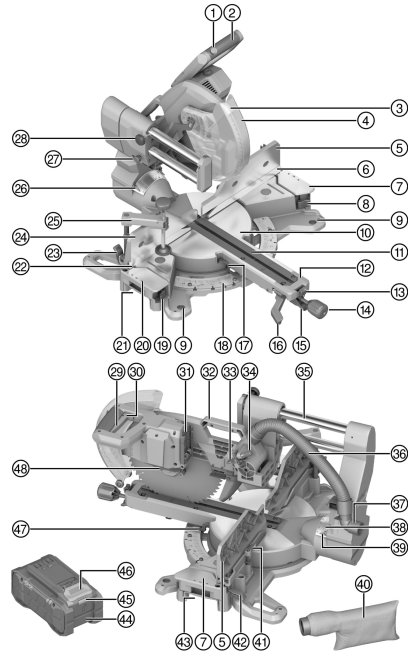
4.2 التعامل بعناية مع الأجهزة العاملة بالبطاريات واستخدامها

- ◀ **احرص على مراعاة إرشادات السلامة التالية للتعامل والاستخدام الآمن لبطاريات أيونات الليثيوم.** وعدم مراعاة ذلك قد يؤدي إلى حدوث تيجبات للبشرة، إصابات أكلة بالغة، حروق كيميائية، حرائق و/ أو انفجارات.
- ◀ اقتصر على استخدام البطاريات وهي في حالة سليمة من الناحية الفنية.
- ◀ احرص على التعامل مع البطاريات بعناية لتجنب وقوع أضرار ومنع تسرب السوائل التي قد تضر بالصحة بصورة كبيرة!
- ◀ لا يجوز بأي حال من الأحوال تعديل البطاريات أو العبث بها!
- ◀ لا يجوز تفكيك البطاريات أو سحقها أو وضعها في درجة حرارة أعلى من 80° م (176° ف) أو حرقها.
- ◀ لا تقم باستخدام أو شحن بطاريات تعرضت لصدات أو أي نوع آخر من الأضرار. افحص البطاريات بشكل دوري بحثاً عن علامات التلف.
- ◀ لا تقم مطلقاً باستخدام بطاريات مُعاد تدويرها أو التي تم إصلاحها.
- ◀ لا تستخدم أبداً البطارية أو أية أداة كهربائية مشغلة بالبطارية كمبرقة.
- ◀ لا تقم مطلقاً بتعرض البطاريات لأشعة الشمس المباشرة أو درجات الحرارة المرتفعة أو تولد الشرر أو اللهب المكشوف. فقد يؤدي ذلك إلى حدوث انفجارات.
- ◀ لا تلمس أقطاب البطارية بأصابعك، أدوات، حُلي أو أية أشياء أخرى موصلة للكهرباء. فقد يؤدي ذلك إلى إلحاق الضرر بالبطارية وحدوث أضرار مادية والإصابات.
- ◀ احتفظ بالبطاريات بعيداً عن الأمطار والبلل والسوائل. فالرطوبة المتسربة قد تتسبب في حدوث قفلات كهربائية، صدمات كهربائية، حرائق وانفجارات.
- ◀ اقتصر على استخدام الشواحن والأدوات الكهربائية المقررة لهذه البطارية. يلزم مراعاة المعلومات الواردة في دليل الاستعمال المعني.
- ◀ لا تقم باستخدام أو تخزين البطارية في النطاقات المُعرضة لخطر الانفجار.
- ◀ في حالة السخونة الشديدة للبطارية بحيث يتعذر الإمساك بها، فقد تكون تالفة. احرص على وضع البطارية في مكان مرئي وغير قابل للاشتعال مع وجود مسافة كافية من الخامات القابلة للاشتعال. اترك البطارية تبرد. إذا ظلت البطارية ساخنة بعد مرور ساعة لدرجة تعذر لمسها، فهذا يعني أنها تالفة. توجه إلى مركز خدمة Hilti أو اقرأ المستند "إرشادات لسلامة واستخدام بطاريات أيونات الليثيوم Hilti".

احرص على مراعاة اللوائح الخاصة التي تسري على نقل وتخزين واستخدام بطاريات أيونات الليثيوم. اقرأ إرشادات سلامة واستخدام بطاريات أيونات الليثيوم Hilti، التي يمكنك العثور عليها عن طريق مسح كود الاستجابة السريعة الموجود في نهاية دليل الاستعمال هذا.



- ① مانع التشغيل
- ② المقيض
- ③ مبيّن القطع LED
- ④ غطاء واقّي
- ⑤ مصد الشطب العلويّ جهة اليمين
- ⑥ مصد الشطب السفليّ جهة اليمين
- ⑦ الدعامة الإضافية اليمنى
- ⑧ ذراع تحرير الدعامة الإضافية اليمنى
- ⑨ ثقب التثبيت
- ⑩ القرص الدوار
- ⑪ الألواح المشقوقة
- ⑫ ذراع القرص الدوار
- ⑬ موضع تثبيت ذراع تحرير القرص الدوار
- ⑭ مفتاح ثبات القرص الدوار
- ⑮ ذراع تحرير القرص الدوار
- ⑯ ذراع تحرير زاوية الشطب الرأسية
- ⑰ مؤشر زاوية الشطب الأفقية جهة اليسار
- ⑱ تدريج زاوية الشطب الأفقية
- ⑲ ذراع تحرير الدعامة الإضافية اليسرى
- ⑳ الدعامة الإضافية اليسرى
- ㉑ تجويف المسك الأيسر
- ㉒ مصد الشطب السفليّ جهة اليسار
- ㉓ ذراع تحرير مصد الشطب العلويّ جهة اليسار
- ㉔ مصد الشطب العلويّ جهة اليسار
- ㉕ القاطنة الملولبة
- ㉖ مؤشر زاوية الشطب الرأسية جهة اليسار
- ㉗ وسيلة تأمين النقل
- ㉘ برغي تثبيت الرف الجرار
- ㉙ مفتاح التشغيل/الإيقاف
- ㉚ ثقب القفل
- ㉛ موضع توصيل البطارية
- ㉜ مقبض النقل
- ㉝ لوح صد مصد العمق
- ㉞ محدد عمق الثقب
- ㉟ الرف الجرار / القضيب الانزلاقي
- ㊱ خرطوم توصيل شفاط الغبار
- ㊲ فوهة الشفط
- ㊳ تدريج زاوية الشطب الرأسية
- ㊴ مؤشر زاوية الشطب الرأسية جهة اليمين
- ㊵ كيس تجميع الغبار
- ㊶ مفتاح سداسي الرأس
- ㊷ ذراع تحرير مصد الشطب العلويّ جهة اليمين
- ㊸ تجويف المسك الأيمن
- ㊹ البطارية
- ㊺ مبيّن حالة البطارية
- ㊻ زر تحرير البطارية
- ㊼ مؤشر زاوية الشطب الأفقية جهة اليمين
- ㊽ مثبت البريمة



2.3 الاستخدام المطابق للتعليمات

المنتج الموضع عبارة عن منشار تلسين للقطع المشطوب مشغل بالبطارية. وهو مخصص لنشر الخشب والمنتجات الخشبية وقطاعات البلاستيك والألومنيوم. يمكن استخدام المنتج لإجراء قطع عرضي، وقطع مائل، وقطع مشطوب.

المنتج مزود بفوهة توصيل لتجزئة شطف البرادة مصممة لخراطيم الشفافات الشائعة. لربط خرطوم مزيل الغبار بالمنشار، يلزم وجود مهايئ مناسب.

- استخدم المنشار فقط مع كيس النشارة المرفق أو مع شفاط الغبار المناسب.
- اقتصر على استخدام شفرات المناشير المسموح بها للمنتج، التي تتوافق مع بيانات المواصفات الفنية (على سبيل المثال، القطر، عدد اللفات، السمك، الخامة، إلخ...). لا يُسمح باستخدام أسطوانات التجليل أو القطع وأيضاً شفرات المناشير المصنوعة من فولاذ القطع السريع عالي السبك (فولاذ HSS).
- لا تقطع المغنيسيوم أبداً باستخدام المنتج.
- اقتصر على استخدام بطاريات أيونات الليثيوم Nuron من Hilti من النوع B 22 مع هذا المنتج. لتحقيق القدرة المثالية، توصي Hilti باستخدام البطاريات المذكورة بالجدول الوارد بنهاية دليل الاستعمال هذا مع هذا المنتج.
- اقتصر على استخدام شواحن Hilti من الأنواع المذكورة بالجدول الوارد بنهاية دليل الاستعمال هذا لشحن هذه البطاريات.

3.3 مجموعة التجهيزات الموردة

منشار التلسين للقطع المشطوب، شفرة المنشار، فلانشة الشد، فلانشة التثبيت، برغي الشد، المفتاح سداسي الرأس، ملزمة، مقبض تثبيت القرص الدوار، دليل الاستعمال
تجد المزيد من منتجات النظام المسموح بها للمنتج الخاص بك لدى متجر Hilti Store أو على موقع الإنترنت: www.hilti.group

4.3 بيانات بطارية أيونات الليثيوم

يمكن لبطاريات أيونات الليثيوم Hilti Nuron عرض حالة الشحن وبلاغات الأخطاء وحالة البطارية.

1.4.3 عرض حالة الشحن وبلاغات الأخطاء



تحذير خطر الإصابة بسبب سقوط البطارية!

- بينما البطارية مركبة، تأكد بعد الضغط على زر التمرير أنك قمت بإعادة تثبيت البطارية بشكل صحيح في المنتج المستخدم.

لكي يتسنى الحصول على أحد البيانات التالية، اضغط لوهلة قصيرة على زر تمرير البطارية. وأيضاً يتم باستمرار عرض حالة الشحن وكذلك الاختلالات المُحتملة طوال فترة تشغيل المنتج الموصول.

الحالة	الاستعمال
تضيء أربع لمبات LED (4) باستمرار باللون الأخضر	حالة الشحن: 100 % إلى 71 %
تضيء ثلاث لمبات LED (3) باستمرار باللون الأخضر	حالة الشحن: 70 % إلى 51 %
تضيء لمبة LED (2) باستمرار باللون الأخضر	حالة الشحن: 50 % إلى 26 %
تضيء لمبة LED واحدة (1) باستمرار باللون الأخضر	حالة الشحن: 25 % إلى 10 %
تومض لمبة LED واحدة (1) ببطء باللون الأخضر	حالة الشحن: > 10 %
تومض لمبة LED واحدة (1) بسرعة باللون الأخضر	بطارية أيونات الليثيوم فارغة الشحنة تماماً. اشحن البطارية. إذا استمر وميض لمبة LED بسرعة بعد شحن البطارية، توجه إلى مركز خدمة Hilti.



الحالة	الاستعمال
تومض لمبة LED واحدة (1) بسرعة باللون الأصفر	هناك تحميل زائد على بطارية أيونات الليثيوم أو المنتج المرتبط بها أو بهما سخونة زائدة أو برودة زائدة أو بهما خطأ آخر. اعمل على توفير درجة حرارة العمل الموصى بها للمنتج وللبطارية، واحرص على ألا يتعرض المنتج للتحميل الزائد عند استخدامه. إذا استمر وجود البلاغ، توجه إلى مركز خدمة Hilti.
تضيء لمبة LED واحدة (1) باللون الأصفر	بطارية أيونات الليثيوم والمنتج المرتبط بها ليسا متوافقين. يُرجى التوجه إلى مركز خدمة Hilti.
تومض لمبة LED واحدة (1) بسرعة باللون الأحمر	تم تعطيل بطارية أيونات الليثيوم ولا يمكن مواصلة استخدامها. يُرجى التوجه إلى مركز خدمة Hilti.

2.4.3 عرض حالة البطارية

للاستفسار عن حالة البطارية، احتفظ بزر التمرير مضغوطاً لمدة تزيد على ثلاث ثوان. لا يكتشف النظام أي عطل محتمل في البطارية بسبب سوء الاستخدام، على سبيل المثال السقوط أو الثقب أو الأضرار الخارجية بفعل الحرارة، وما إلى ذلك

الحالة	الاستعمال
تضيء جميع لمبات LED كخط إضاءة متتابع، وبعد ذلك تضيء لمبة LED واحدة (1) باستمرار باللون الأخضر.	لا يزال من الممكن استخدام البطارية.
تضيء جميع لمبات LED كخط إضاءة متتابع، وبعد ذلك تومض لمبة LED واحدة (1) بسرعة باللون الأصفر.	تعذر إتمام الاستعلام عن حالة البطارية. كرر العملية أو توجه إلى مركز خدمة Hilti.
تضيء جميع لمبات LED كخط إضاءة متتابع، وبعد ذلك تضيء لمبة LED واحدة (1) باستمرار باللون الأحمر.	إذا كان لا يزال من الممكن استخدام منتج موصل، تكون قدرة البطارية المتبقية أقل من 50%. إذا لم يعد من الممكن استخدام منتج موصل، فهذا يعني أن البطارية في نهاية عمرها الافتراضي ويجب تغييرها. يُرجى التوجه إلى مركز خدمة Hilti.

4 المواصفات الفنية

1.4 خصائص المنتج

21.6 فط	الجهد الاسمي	
4,300 لفة/دقيقة	عدد اللفات الاسمي لوضع الدوران على الفارغ	
305 مم	قطر شفرة المنشار	
0.5 مم ... 1.5 مم	سُمك النصل الفولاذي	
30 مم	تجويف تركيب نصل المنشار	
3.2 مم	عرض القطع	
≥ 60 درجة	يمينا	زاوية الشطب الأفقية القصوى
≥ 52 درجة	يساراً	
≥ 48 درجة	يمينا	زاوية الشطب الرأسية القصوى
≥ 48 درجة	يساراً	
≥ 100 مم	الارتفاع	قدرة القطع القصوى بغض النظر عن القياسات أو زوايا الشطب الأخرى
≥ 360 مم	العرض	
25.6 كجم	الوزن	
(حسب 01 EPTA-Procedure دون بطارية)		
17° م ... 60° م	درجة الحرارة المحيطة أثناء التشغيل	
20° م ... 70° م	درجة حرارة التخزين	



2.4 البطارية

21.6 فلط	جهد تشغيل البطارية
انظر نهاية هذا الدليل	وزن البطارية
17° ... 60° م	درجة الحرارة المحيطة أثناء التشغيل
20° ... 40° م	درجة حرارة التخزين
10° ... 45° م	درجة حرارة البطارية عند بدء الشحن

3.4 قيم الضوضاء والاهتزاز طبقا للمواصفة EN 62841

تم قياس ضغط الصوت وقيم الاهتزاز الواردة في هذا الدليل طبقا لأحد معايير القياس المحددة ويمكن الاستعانة بها في إجراء مقارنة بين الأدوات الكهربائية مع بعضها البعض. وهي مناسبة أيضا لتقدير حجم المخاطر بصورة أولية.

المواصفات الواردة تتعلق بالاستخدامات الأساسية للأداة الكهربائية. أما إذا تم استخدام الأداة الكهربائية في تطبيقات أخرى مع أدوات شغل مخالفة للمواصفات أو دون صيانة كافية، ففي هذه الحالة قد تختلف المواصفات. وقد يزيد هذا من نسبة المخاطر طوال مدة العمل بصورة واضحة.

وللحصول على تقدير دقيق لحجم المخاطر ينبغي أيضا مراعاة الأوقات التي يتم فيها إيقاف الجهاز أو التي يتم فيها تشغيل الجهاز ولكن دون استخدام حقيقي. وقد يقلل هذا من نسبة المخاطر طوال مدة العمل بصورة واضحة. احرص على اتخاذ إجراءات إضافية للسلامة من شأنها حماية المستخدم من تأثير الضجيج وأو الاهتزازات مثل: صيانة الأداة الكهربائية وأدوات الشغل والمفاظ على الأيدي في حالة دافئة وتنظيم مراحل العمل.

معلومات الضجيج

101 ديسيبيل (A)	مستوى شدة الصوت (L_{WA})
90 ديسيبيل (A)	مستوى ضغط الصوت (L_{pA})
3 ديسيبيل (A)	نسبة التفاوت (L_{pA} و L_{WA})

قيم الاهتزاز الإجمالية

≥ 2.5 م/ثانية ²	B 22-55	قيمة انبعاثات الاهتزاز
≥ 2.5 م/ثانية ²	B 22-255	
1.5 م/ثانية ²		نسبة التفاوت

4.4 قدرة القطع القصوى

القياسات الواردة في الارتفاع والعرض مرتبطة ببعضها البعض. يمكن العثور على قيم أقصى ارتفاع وعرض ممكن في الفصل خصائص المنتج. ← صفحة 242

الارتفاع x العرض	زاوية الشطب الرأسية	زاوية الشطب الأفقية
100 مم x 355 مم	0°	0°
72 مم x 355 مم	22,5° جهة اليمين	
90 مم x 355 مم	22,5° جهة اليسار	
60 مم x 355 مم	30° جهة اليمين	
78 مم x 355 مم	30° جهة اليسار	
40 مم x 355 مم	45° جهة اليمين	
65 مم x 340 مم	45° جهة اليسار	
30 مم x 355 مم	48° جهة اليمين	
50 مم x 355 مم	48° جهة اليسار	
100 مم x 250 مم	0°	45° جهة اليمين
40 مم x 250 مم	45° جهة اليمين	45° جهة اليسار
62 مم x 250 مم	45° جهة اليسار	
100 مم x 200 مم	0°	52° جهة اليسار
40 مم x 220 مم	45° جهة اليمين	
62 مم x 220 مم	45° جهة اليسار	



الارتفاع x العرض	زاوية الشطب الرأسية	زاوية الشطب الأفقية
100 مم x 176 مم	0°	60° جهة اليمين
40 مم x 178 مم	45° جهة اليمين	
30 مم x 190 مم	45° جهة اليسار	

5 التحضير للعمل

تحذير

خطر الإصابة من خلال التشغيل غير المقصود!

- تأكد قبل إدخال البطاريات أن الجهاز المختص مطفأ.
- اخلع البطارية قبل إجراء عمليات ضبط الجهاز أو تغيير أجزاء الملحقات التكميلية.

تراجع إرشادات الأمان والإرشادات التحذيرية الواردة في هذا المستند وعلى الجهاز.

1.5 تركيب مقبض التثبيت

- لا يكون مقبض تثبيت القرص الدوار مركبا عند توريد الجهاز. ويجب أن يتم تركيبه قبل استخدام المنشار.
- اربط مقبض التثبيت في ذراع القرص الدوار.

2.5 شمن البطارية

- قبل الشمن، قم بقراءة دليل استعمال جهاز الشمن.
- احرص على أن تكون أطراف تلامس البطارية وجهاز الشمن نظيفة وجافة.
- قم بشمن البطارية باستخدام شاحن مصرح به. ← صفحة 241

3.5 تركيب البطارية

تحذير

خطر الإصابة من خلال قفلة كهربائية أو سقوط البطارية!

- تأكد قبل تركيب البطاريات في الجهاز من عدم وجود أجسام غريبة بين أطراف توصيل البطارية والجهاز.
- تأكد من تثبيت البطارية بشكل صحيح دائما.

- اشمن البطارية لآخرها تماما قبل التشغيل لأول مرة.
- قم بتحريك البطارية في المنتج إلى أن تستقر في موضعها بصوت مسموع.
- تفحص البطارية من حيث ثباتها في موضعها بشكل جيد.

4.5 خلع البطارية

- اضغط على زر تمرير البطارية.
- اسحب البطارية من المنتج.

5.5 تركيب المنتج

يجب تثبيت المنتج على سطح مستو وثابت.

- ضع المنتج على سطح مستو وثابت.
- اربط المنتج من خلال فتحات التثبيت على سطح العمل. واستخدم لهذا الغرض البراغي المناسبة.
- وبدلا من ذلك، قم بتثبيت أقدام الجهاز على سطح العمل باستخدام القامطات اللولبية المتداولة في الأسواق.

تقدم Hilti اختياريا أيضا قاعدة سفلية يمكن تركيب المنتج عليها من أجل الاستخدام المتنقل.



6.5 الضبط على وضع العمل 2

- اضغط رأس المنشار إلى أسفل قليلا واجذب وسيلة تأمين النقل للخارج.
- قم بتوجيه رأس المنشار بشكل محكوم إلى أعلى.



7.5 شفاط الغبار

1.7.5 تركيب كيس تجميع الغبار

يتيح كيس تجميع الغبار العمل بشكل نظيف ويجمع نسبة كبيرة من الغبار الناتج.
 ◀ قم بتركيب كيس تجميع الغبار على فوهة الشفط.


2.7.5 توصيل مزيل الغبار

يجب أن يكون مزيل الغبار مناسباً لقطعة الشغل المطلوب العمل عليها. عند شفط أنواع الغبار الضارة بالصحة أو المسرطنة أو الجافة، استخدم دائماً شفاطاً خاصاً مناسباً.
 ◀ قم بتوصيل خرطوم الشفط بفوهة الشفط.

8.5 تركيب نصل المنشار 3

تأكد من أن نصل المنشار المراد تركيبه مع الجهاز يفي بالمتطلبات التقنية وأنه مشحوداً بشكل جيد.
 حيث يعتبر نصل المنشار الحاد شرطاً أساسياً للقطع بالمنشار بدون مشاكل.

1. قم بتنظيف فلانشة التثبيت وفلانشة الشد.
2. قم بتركيب فلانشة التثبيت على بريمة الإدارة في الاتجاه الصحيح (1).
3. افتح الغطاء الواقي المتحرك (2).
4. قم بتركيب نصل المنشار الجديد.

يرجى الانتباه إلى سهم اتجاه الدوران (3) الموضع على شفرة المنشار والمنتج. حيث يجب أن تكون متطابقة. 


5. قم بتركيب فلانشة الشد الخارجية في الاتجاه الصحيح (4).
6. اربط برغي الشد.
7. ضع المفتاح سداسي الرأس المجوف على برغي شد نصل المنشار.
8. اضغط مع الاستمرار على مثبت البريمة (5).
9. أحكم ربط برغي الشد باستخدام المفتاح سداسي الرأس المجوف (6).
10. تأكد من ثبات شفرة المنشار بشكل سليم في موضعها.
11. تأكد من حرية حركة شفرة المنشار. يجب ألا تلامس شفرة المنشار الأجزاء الأخرى للمنشار في أي وضع من أوضاع الضبط (زاوية الشطب الأفقية و/أو الرأسية).
12. أدخل المفتاح سداسي الرأس في موضع التركيب المخصص له.

9.5 فك نصل المنشار 4



خطر الإصابة بحروق أو جروح بواسطة شفرة المنشار وبرغي الشد وفلانشة الشد وقد يؤدي ذلك إلى الإصابة بحروق أو الإصابة بجروح قطعية.
 ◀ استخدم قفازاً واقياً لغرض تغيير الأداة.

1. اضغط مع الاستمرار على مثبت البريمة (1).
2. قم بتحريك برغي الشد باستخدام المفتاح سداسي الرأس المجوف (2).
3. قم بفك برغي الشد وفلانشة الشد (3).
4. افتح الغطاء الواقي المتحرك (4) واخلع شفرة المنشار (5).

عند الحاجة يمكن خلع فلانشة التثبيت لغرض التنظيف. 

6 الاستعمال

تراجع إرشادات الأمان والإرشادات التحذيرية الواردة في هذا المستند وعلى الجهاز.

1.6 تثبيت / فك قطاع السحب 5

يمكن تثبيت قطاع السحب في أي موضع.



1. لتثبيت قطاع السحب أدر برغي التثبيت (1) في اتجاه عقارب الساعة.
 - ◀ يثبت برغي التثبيت القضيب الانزلاقي، مما يمنع حركة الانزلاق.
2. لفك قطاع السحب، أدر برغي التثبيت (1) عكس اتجاه عقارب الساعة.

2.6 ضبط عمق القطع في محدد العمق 6

استخدم محدد العمق، إذا كنت ترغب مثلًا في نشر حز.

1. قم بتحريك لوحة المصد (1) الخاصة بمحدد العمق بحيث لا يمر محدد العمق عبر الفتحة عند خفض رأس المنشار.
2. اضبط عمق القطع المرغوب عن طريق البرغي الممزز (2).
3. إذا لم تعد ترغب في تحديد عمق القطع، فقم بتحريك لوحة المصد (1) بحيث لا يمر محدد العمق عبر الفتحة للدخل عند خفض رأس المنشار.

3.6 إطالة قاعدة المنشار 7

تحذير ⚠

خطر الإصابة من جراء قطع الشغل الطويلة. حيث يمكن أن تنقلب قطع الشغل الطويلة أثناء القطع بشكل خارج عن السيطرة، ومن ثم رفع الغطاء الواقي وانحصار شفرة المنشار مما يؤدي إلى حدوث ارتداد.

- ◀ قم بدعم قطع الشغل الطويلة باستخدام أحصنة نشر إضافية أو قواعد تمنية مماثلة.

يمكن تكبير سطح ارتكاز قاعدة المنشار بواسطة المرتكزات الإضافية يمينا و/أو يسارا.

1. افتح ذراع تحرير المرتكز الإضافي (1).
2. اجذب المرتكز الإضافي للخارج (2).
3. قم بتأمين قفل ذراع تحرير المرتكز الإضافي (1).
4. عند اللزوم، كرر نفس الخطوات للمرتكز الإضافي المقابل.

4.6 ضبط مصدات الشطب العلوية 8, 9

- تبعًا لضبط زاوية الشطب الأفقية و/أو الرأسية يجب سحب مصدات الشطب العلوية إلى الخارج أو إزالتها بالكامل.
1. افتح ذراع التحرير (1) الخاص بمصد الشطب العلوي جهة اليسار أو اليمين.
 2. اجذب مصد الشطب العلوي (2) إلى الخارج حسب الضرورة أو قم بإزالة مصد الشطب.
 3. أغلق ذراع التحرير (1).
- ◀ قم بتكبيد مصدات الشطب العلوية مرة أخرى في أقصى وضع داخلي إذا كنت تقوم للتو بتنفيذ عمليات قطع.
4. إذا تم إزالة مصد الشطب العلوي، فيمكن أيضا تثبيته على القضبان المنزلقة للمرتكز الإضافي لحفظه بشكل آمن أثناء عملية النشر.

5.6 شطب زاوية الشطب الأفقية 10

تحذير ⚠

خطر الإصابة من جراء عدم تثبيت القرص الدوار. إذا لم يتم تثبيت القرص الدوار، فقد يلتوي أثناء القطع، ومن ثم انحراف قطعة الشغل ويؤدي بذلك إلى حدوث ارتداد.

- ◀ اربط مقبض تثبيت القرص الدوار دائما قبل تنفيذ أي عملية قطع.

الشروط: زاوية الشطب القياسية

من أجل الضبط السريع والدقيق لزوايا الشطب الأفقية المستخدمة بشكل متكرر، توجد حزوز على مقياس زاوية الشطب الأفقية. يمكن تثبيت القرص الدوار في هذه الحزوز.

مواضع ثبات زاوية الشطب الأفقية

يسارًا	متوسط:	يمينا
15°، 22,5°، 31,6°، 45°	0°	15°، 22,5°، 31,6°، 45°، 60°

◀ إذا لزم الأمر، قم بفك مفتاح ثبات القرص الدوار (2).



- ◀ اسحب مع الاستمرار ذراع تحرير القرص الدوار الأعلى (1) و قم بتدوير القرص الدوار إلى ما قبل زاوية الشطب الأفقية بقليل (3).
- ◀ حرر ذراع تحرير القرص الدوار واستمر في تدوير القرص الدوار إلى زاوية الشطب الأفقية المطلوبة إلى أن يثبت قفل التأمين.
- ◀ اربط مفتاح ثبات القرص الدوار (2).

الشرط: أي زاوية قطع مشطوب أفقية

- ◀ بخلاف زوايا الشطب القياسية، يمكن ضبط زاوية الشطب الأفقية بحرية حسب الحاجة.
- ◀ إذا لزم الأمر، قم بفك مفتاح ثبات القرص الدوار (2).
- ◀ اسحب ذراع تحرير القرص الدوار (1) لأعلى واثبته في موضعه (4).
- ◀ اضبط القرص الدوار على زاوية الشطب الأفقية المرغوبة (3).
- ◀ اربط مفتاح ثبات القرص الدوار (2).

6.6 ضبط زاوية الشطب الرأسية 11

تحذير ⚠

خطر الإصابة من جراء عدم تثبيت وسيلة الإمالة. إذا لم يتم تثبيت وسيلة ضبط زاوية الشطب الرأسية، فقد تتقلب رأس المنشار أثناء القطع وتؤدي إلى حدوث ارتداد.

- ◀ بعد إتمام عملية الضبط اضغط دائما على ذراع تحرير زاوية الشطب الرأسية بالكامل إلى أسفل من أجل تثبيت وسيلة الإمالة.

احترس! ⚠

خطر الإصابة من جراء مصدات الشطب العلوية. عندما تكون زاوية الشطب الرأسية مضبوطة قد تصدم شفرة المنشار بمصدات الشطب العلوية، مما يؤدي إلى حدوث أضرار وارتداد.

- ◀ بعد كل ضبط لزاوية الشطب الرأسية، تحقق من حرية حركة شفرة المنشار واضبط مصدات الشطب العلوية إلى الخارج بالقدر الضروري.

من أجل الضبط السريع والدقيق لزاويا الشطب الرأسية المستخدمة بشكل متكرر يمكن تثبيت رأس المنشار في عدة مواضع.

مواضع ثبات زاوية الشطب الرأسية

يسارًا	متوسط:	يمينًا
° 45 ، ° 33,9 ، ° 22,5	0°	° 22,5 ، ° 33,9 ، ° 45

- ◀ اسحب ذراع تحرير وسيلة ضبط زاوية الشطب الرأسية لأعلى لتحريره (2).
- ◀ اسحب ذراع تحرير وسيلة ضبط زاوية الشطب الرأسية لأعلى تمامًا، حتى تستطيع تحريك رأس المنشار بحرية (3).
- ◀ حرر ذراع التحرير و قم بإمالة رأس المنشار حتى يثبت قفل التأمين.
- ◀ يمكن أن يثبت رأس المنشار في أي من الأوضاع المذكورة أعلاه.
- ◀ اضغط بعد ذلك على ذراع التحرير لأسفل تمامًا (1)، لتأمين رأس المنشار في الوضع المضبوط.
- ◀ إذا كنت تريد ضبط أي زاوية شطب رأسية، أمسك ذراع تحرير وسيلة ضبط زاوية الشطب الرأسية في أعلى موضع لها (3)، حتى يتم الوصول إلى زاوية الشطب الرأسية المرغوبة.
- ◀ اضغط بعد ذلك على ذراع التحرير لأسفل تمامًا (1)، لتأمين رأس المنشار في الوضع المضبوط.
- ◀ اضبط مصدات الشطب العلوية بحيث لا تصدم بشفرة المنشار. – صفحة 246

7.6 تفعيل مابين خطوط القطع

المنشار مجهز بمبين لخطوط القطع. تتكفل لمبة LED في رأس المنشار بإضاءة نطاق العمل وتنتج ظلا من خلال شفرة المنشار، ومن خلال ذلك يتم إظهار خط القطع بدقة.

1. قم بتفعيل مفتاح التشغيل/الإيقاف دون الضغط على مانع التشغيل.
 - ◀ يتم تفعيل لمبة LED.
2. قم بتوجيه رأس المنشار إلى أسفل.
 - ◀ يظهر ظل شفرة المنشار على قطعة الشغل ويشير إلى خط القطع.
3. قم عند اللزوم بمواءمة قطعة الشغل أو وضع ضبط زاوية الشطب الأفقية و/أو الرأسية مع خط القطع.



تحذير 

خطر الإصابة من جراء الخشب المتلوي. قطعة الشغل المتلوية و/أو المنحنية يمكن أن تنحصر في شفرة المنشار وتؤدي إلى حدوث ارتداد.

• ضع دائما قطع الشغل المتلوية أو المنحنية بحيث يكون الجانب المقوس جهة الخارج على مصد الشطب. لا تضع أبدا قطعة الشغل بطريقة تؤدي إلى وجود فجوة هوائية بين قطعة الشغل ومصدات الشطب.

تحذير 

خطر الإصابة من جراء الوضعية غير السليمة لقطعة الشغل. قطعة الشغل الموضوعة بشكل غير سليم يمكن أن تنحصر في شفرة المنشار وتؤدي إلى حدوث ارتداد.

• ضع قطعة الشغل دائما بحيث تستقر بأكبر سطح ارتكاز ممكن على القرص الدوار والمرتكزات ومصدات الشطب.

تحذير 

خطر الإصابة من جراء قطعة الشغل غير المؤمنة! إذا لم يتم تأمين قطعة الشغل بشكل سليم على مصد الشطب، فقد تتحرك قطعة الشغل أثناء عملية القطع وتتسبب في ضرر محتمل لشفرة المنشار، مما قد يؤدي إلى تطاير قطعة الشغل وفقدان السيطرة.

• يجب في جميع العمليات تثبيت قطعة الشغل بإحكام باستخدام قامطة لولبية على القرص الدوار ومصد الشطب.

تحذير 

خطر الإصابة من جراء تلامس الأجزاء التركيبية للمنشار مع القامطة اللولبية! يمكن أن تحدث أضرار بشفرة المنشار في حالة ملامسة القامطة اللولبية. يمكن أن تتسبب القامطة اللولبية في إعاقة تجهيزات الحماية وتقييد وظيفتها. يمكن أن يتم تقييد حركة رأس المنشار من جراء القامطة اللولبية، ما قد يؤدي إلى حدوث ارتداد.

• قم بإجراء تجربة للحركة المتوقعة بينما المنشار متوقف. تأكد من عدم ملامسة أي أجزاء تركيبية للمنشار مع القامطة اللولبية.

• إذا لزم الأمر، قم بتحريك القامطة اللولبية إلى مكان آخر على المنشار.

• اضغط على زر التحرير الموجود على القامطة الملولة (2) واسحب القضيب الملولب لأعلى حتى النهاية.

• أدخل القامطة الملولة في إحدى الفتحات المخصصة (1).

• اضغط قطعة الشغل بقوة على مصد الشطب.

• اضغط على زر تحرير القامطة الملولة لضبط القضيب الملولب بسرعة على قطعة الشغل (2).

• اقلب القامطة الملولة للخلف، عكس موضع القضيب الملولب (3). ثم قم بربط القضيب الملولب عن طريق تدويره في اتجاه حركة عقارب الساعة وثبت قطعة الشغل (4).

• لفك قطعة الشغل، أدر القضيب الملولب عكس اتجاه حركة عقارب الساعة. اضغط بعد ذلك على زر التحرير الموجود على القامطة الملولة واسحب القضيب الملولب لأعلى حتى النهاية.

9.6 ضبط عدد اللفات

• اضبط عدد اللفات المرغوب عن طريق طارة ضبط عدد اللفات.

10.6 التشغيل / الإيقاف

تحذير 

خطر الإصابة من خلال الارتداد.

• لا تقم بتشغيل المنشار إلا إذا كانت شفرة المنشار لا تلامس قطعة الشغل.

تحذير 

خطر الإصابة من خلال الارتداد.

• بعد إيقاف التشغيل اترك رأس المنشار في أدنى وضع سفلى، إلى أن تتوقف شفرة المنشار تماما.

1. اضغط على مانع التشغيل واحتفظ به مضغوطة.
2. اضغط واستمر في الضغط على مفتاح التشغيل/الإيقاف.
- فيعمل المنشار.
3. لغرض إيقاف المنشار، اترك مفتاح التشغيل/الإيقاف.



تحذير ⚠

خطر الإصابة من جراء الوضعية الخاطئة لليدين والذراعين. في حالة الوضعية الخاطئة يمكن أن تصدم شفرة المنشار المشغلة باليدين والذراعين وتتسبب في حدوث إصابات بالغة.

- ▶ لا تضع ذراعيك مطلقاً في وضعية متقاطعة أثناء النشر. ولا تمد ذراعك أو يدك مطلقاً بشكل متقاطع على خط القطع.
- ▶ ثبت ذراعيك ويديك خارج نطاق الخطر المميز بعلامات على يمين ويسار شفرة المنشار.

الوضعية الصحيحة للجسم واليد عند العمل بمنشار القطع المشطوب يجعل القطع أسهل وأكثر دقة وأماناً. قف بكلتا قدميك بثبات على الأرض وحافظ على توازنك. أثناء تحريك ذراع الشطب يميناً ويساراً، اتبعه وقف على جانب شفرة المنشار قليلاً. حافظ على نطاق خطر خال يبلغ 230 مم (9 بوصة) يساراً و 270 مم (10.4 بوصة) يميناً من شفرة المنشار. أبعد يدك وذراعيك وأجزاء الجسم الأخرى عن نطاق الخطر هذا. ثبت يديك في موضعها حتى يتم تحرير مفتاح التشغيل/الإيقاف وتتوقف شفرة المنشار تماماً.



إجراء القطع، اضغط رأس المنشار لأسفل بلطف وبطريقة يمكن التحكم فيها. قد يؤدي الضغط الزائد أو الدفع بقوة من الجانب على خط القطع إلى اهتزاز شفرة المنشار، مما يؤدي إلى إنشاء علامات نشر إضافية في قطعة الشغل والتأثير بالسلب على دقة القطع.

1.11.6 النشر بدون حركات الدفع (التلسين)

تحذير ⚠

خطر الإصابة من جراء عدم تثبيت قطاع السحب. عدم تثبيت قطاع السحب يمكن أن يؤدي إلى حركة انزلاق غير متوقعة لرأس المنشار ويتسبب في حدوث ارتداد.

- ▶ احرص دائماً على تثبيت قطاع السحب عند عمل قطعيات التلسين.

1. ادفع رأس المنشار للخلف حتى النهاية (بعيداً عنك).
2. قم بتثبيت الرف الجرار. ← صفحة 245
3. اضبط لوح الصد الخاص بمصد العمق بحيث يمر مصد العمق من خلال الفتحة عند خفض رأس المنشار. ← صفحة 246
4. قم بمواءمة جميع أوضاع ضبط المنشار (الزاوية، مصدات الشطب، أسطح الارتكاز) مع متطلبات عملية القطع المراد تنفيذها.
5. قم بتثبيت قطعة الشغل. ← صفحة 248
6. قم بتشغيل المنشار. ← صفحة 248
7. قم بتوجيه رأس المنشار إلى أسفل ببطء و قم بتنفيذ عملية نشر قطعة الشغل بوتيرة دفع للأمام متساوية.
8. قم بإيقاف المنشار وانتظر إلى أن تتوقف شفرة المنشار تماماً.
9. قم بتوجيه رأس المنشار للوراء إلى الوضع العلوي.

2.11.6 النشر باستخدام حركات الدفع

تحذير ⚠

الارتداد من جراء التحريك الخاطئ لرأس المنشار. يمكن أن يتسبب التحريك الخاطئ لرأس المنشار أثناء القطع باستخدام حركات الدفع في حدوث ارتداد.

- ▶ اسحب أولاً رأس المنشار للخارج بشكل كامل دائماً قبل القطع، ثم قم بخفضها وادفعها بعد ذلك في اتجاه مصدات الشطب.
- ▶ لا تسحب رأس المنشار باتجاهه مطلقاً عندما تكون شفرة المنشار موجودة بالفعل في قطعة الشغل.



ادفع رأس المنشار برفق ودون توقف نحو مصد الشطب عند إجراء عمليات القطع باستخدام حركات الدفع. إذا تم قطع حركات الدفع أثناء القطع، فسوف تترك شفرة المنشار علامات في قطعة الشغل، مما يؤثر سلباً على دقة القطع.

1. قم عند اللزوم بفك قطاع السحب. ← صفحة 245
2. اضبط لوح الصد الخاص بمصد العمق بحيث يمر مصد العمق من خلال الفتحة عند خفض رأس المنشار. ← صفحة 246



3. قم بمواءمة جميع أوضاع ضبط المنشار (الزاوية، مصدات الشطب، أسطح الارتكاز) مع متطلبات عملية القطع المراد تنفيذها.
4. قم بتثبيت قطعة الشغل. ← صفحة 248
5. اجذب رأس المنشار نحوك تماما.
6. قم بتشغيل المنشار. ← صفحة 248
7. قم بتوجيه رأس المنشار إلى أسفل ببطء.
8. قم بتثبيت رأس المنشار في أدنى وضع سفلي، ثم حركها ببطء إلى الخلف (بعيدا عنك). قم بنشر قطعة الشغل بوتيرة دفع للأمام متساوية.
9. قم بإيقاف المنشار وانتظر إلى أن تتوقف شفرة المنشار تماما.
10. قم بتوجيه رأس المنشار للوراء إلى الوضع العلوي.

3.11.6 نشر الحزوز

1. اضبط محدد العمق على عمق القطع المرغوب. ← صفحة 246
2. قم بتنفيذ عملية قطع باستخدام حركات دفع. ← صفحة 249

4.11.6 نشر أشرطة القطاعات 16



خطر الإصابة من جراء التآمين غير السليم لقطعة الشغل. قطعة الشغل المؤمنة بشكل غير سليم قد تنحصر في شفرة المنشار وتؤدي إلى حدوث ارتداد.

- ◀ إذا قمت بوضع العارضة المقطعية على مصد الشطب فتأكد بشكل خاص من توفر تأمين كاف للعارضة المقطعية ضد الإزاحة. ← صفحة 248

يمكن نشر أشرطة القطاعات بطريقتين مختلفتين:

- بوضعها مقابل مصد الشطب
- بوضعها بشكل مسطح على طاولة النشر
- ◀ بناءً على عرض أشرطة القطاعات قم بإجراء القطع بحركة الدفع أو بدونها.
- ◀ اختبر زاوية الشطب الأفقية و/أو الرأسية المضبوطة أولاً على قطعة خشب مهيمة.

7 العناية والصيانة



خطر الإصابة عند تكون البطارية مركبة!

- ◀ احرص على خلع البطارية دائماً قبل جميع أعمال الإصلاح والعناية!

العناية بالمنتج

- احرص على إزالة الاتساخات شديدة الالتصاق مع توخي الحرص.
- قم بتنظيف فتحات التهوية بحرص باستخدام فرشاة جافة وناعمة.
- قم بتنظيف جسم المنتج باستخدام قطعة قماش مبللة بعض الشيء. لا تستخدم مواد عناية محتوية على سيليكون، نظراً لأنها قد تؤدي إلى تلف الأجزاء البلاستيكية.
- استخدم قطعة قماش نظيفة وجافة لتنظيف ملامسات المنتج.
- قم بتنظيف القضبان الانزلاقية الخاصة الرف الجرار والدعامات الإضافية بانتظام. ضع بضع قطرات من الزيت على جميع القضبان الانزلاقية بعد كل عملية تنظيف.
- قم بتنظيف الأسطح الملامسة لمصدات الشطب العلوية بانتظام. قم بتشحيم أسطح التلامس إذا لزم الأمر.

العناية ببطاريات أيونات الليثيوم

- لا تقم مطلقاً باستخدام بطارية ذات فتحات تهوية مسدودة. قم بتنظيف فتحات التهوية بحرص باستخدام فرشاة جافة وناعمة.
- تجنب تعريض البطارية للغبار أو الاتساخات دون داع. لا تقم مطلقاً بتعرض البطارية للرطوبة المرتفعة (على سبيل المثال، غمرها في الماء أو تركها تحت الأمطار).
- في حالة بلل البطارية، تعامل معها كبطارية تالفة. اعزل البطارية في وعاء غير قابل للاشتعال وتوجه إلى مركز خدمة Hilti.



- حافظ على البطارية خالية من الزيت والشحم الخارجي. لا تسمح للغبار أو الاتساخات بالتراكم دون داع على البطارية. قم بتنظيف البطارية باستخدام فرشاة جافة وناعمة أو قطعة قماش نظيفة وجافة. لا تستخدم مواد عناية محتوية على سيليكون، نظرًا لأنها قد تؤدي إلى تلف الأجزاء البلاستيكية.
- لا تلمس ملامسات البطارية ولا تقم بإزالة الشحم الموجود من قبل المصنع عن الملامسات.
- قم بتنظيف جسم المنتج باستخدام قطعة قماش مبللة بعض الشيء. لا تستخدم مواد عناية محتوية على سيليكون، نظرًا لأنها قد تؤدي إلى تلف الأجزاء البلاستيكية.

الصيانة

- احرص بصورة منتظمة على فحص الأجزاء المرئية من حيث وجود أضرار وافحص عناصر الاستعمال من حيث كفاءتها الوظيفية.
- لا تقم بتشغيل الجهاز في حالة وجود أضرار و/أو اختلالات وظيفية. احرص على إصلاح الجهاز على وجه السرعة لدى خدمة Hilti.
- بعد أعمال العناية والإصلاح قم بتركيب جميع تجهيزات الحماية وافحصها من حيث الأداء الوظيفي السليم.

للتشغيل الآمن اقتصر على استخدام قطع الغبار الأصلية وخامات الشغل. تجد قطع الغبار وخامات الشغل والملحقات المصراع بها من Hilti للمنتج الخاص بك في متجر **Hilti Store** أو على موقع الإنترنت: www.hilti.group

1.7 تنظيف تجهيزات الحماية

1. قم بفك نصل المنشار. - صفحة 245
2. قم بتنظيف تجهيزات الحماية بحرص باستخدام فرشاة جافة.
3. أزل الترسبات والشحارة من داخل تجهيزات الحماية باستخدام أداة مناسبة.
4. قم بتركيب نصل المنشار. - صفحة 245

2.7 تنظيف مهايئ الشفط وخرطوم التوصيل 17

1. قم بإزالة كيس تجميع الغبار أو خرطوم الشفط الموصل الخاص بمُزيل الغبار.
2. قم بحل برغي تثبيت خرطوم التوصيل برأس الشفط (1).
3. انزع خرطوم التوصيل من رأس المنشار (2) ومن مهايئ الشفط.
4. قم بتفريغ خرطوم التوصيل وقم بتنظيفه باستخدام فرشاة جافة.
5. قم بتنظيف قناة البرادة برأس المنشار ومهايئ الشفط باستخدام فرشاة جافة.
6. قم بتركيب خرطوم الشفط مرة أخرى على مهايئ الشفط ورأس المنشار.
7. أحكم ربط برغي تثبيت خرطوم التوصيل برأس المنشار.
8. قم بتركيب كيس تجميع الغبار أو قم بتوصيل مزيل الغبار مرة أخرى. - صفحة 245

3.7 تفريغ كيس تجميع الغبار 18

1. انزع كيس تجميع الغبار من مهايئ الشفط.
2. افتح سماب (سوستة) كيس تجميع الغبار وتخلص من محتواه بشكل سليم.
3. أغلق سماب (سوستة) كيس تجميع الغبار.
4. قم بتركيب كيس تجميع الغبار مرة أخرى على مهايئ الشفط. - صفحة 245

4.7 التحقق من أوضاع الضبط والبيانات وتثبيتها

تم ضبط وتهيئة منشار التلسين للقطع المشطوب بعناية من قبل المصنع. ومع ذلك قد يلزم بعد الاستخدام المكثف أو الاستعمال القاسي التحقق من أوضاع ضبط المنشار وبياناته وتثبيتها إذا لزم الأمر. يحتاج فحص المنشار وتثبيتها إلى خبرة وأدوات خاصة. تنصح شركة Hilti بتهيئة المنشار لدى مركز خدمة Hilti فقط.

أثناء جميع أعمال الفحص والضبط باستخدام مقياس الزاوية، لا تلمس أطراف أسنان المنشار. فقد ينتج عن ذلك قياس خاطئ. يجب أن يتطابق مقياس الزاوية دائمًا مع لوحة البيانات الرئيسية.

1.4.7 فحص زاوية الشطب الرأسية

1. ادفع رأس المنشار للخلف حتى النهاية (بعيدًا عنك).



2. اضبط لوح الصد الخاص بمصد العمق بحيث يمر مصد العمق من خلال الفتحة عند خفض رأس المنشار.
- صفحة 246
3. اضبط زاوية الشطب الأفقية على زاوية 0°.
4. اضغط على رأس المنشار لأسفل وادفع وسيلة تأمين النقل للداخل لتأمين قفل رأس المنشار.
5. اضبط زاوية الشطب على 0°.
6. اضبط المسطرة الزاوية على 90°.
7. اضبط المسطرة الزاوية رأسياً وبشكل متعاذ على قاعدة المنشار.
8. حرك المسطرة الزاوية نحو شفرة المنشار.
◀ يجب أن تكون المسطرة الزاوية متعاذية على كامل الخط مع شفرة المنشار.
9. اضبط زاوية الشطب الرأسية على زاوية 45° يمينا.
10. اضبط المسطرة الزاوية على زاوية 45° (بدلاً من ذلك زاوية 135° لقياس الجانب الأيسر).
11. اضبط المسطرة الزاوية رأسياً وبشكل متعاذ على قاعدة المنشار.
12. حرك المسطرة الزاوية نحو شفرة المنشار.
◀ يجب أن تكون المسطرة الزاوية متعاذية على كامل الخط مع شفرة المنشار.
13. كرر الخطوات بالنسبة لزاوية الشطب الرأسية 45° يساراً.

النتيجة 2 / 1

تكون المسطرة الزاوية متعاذية مع شفرة المنشار في جميع القياسات الثلاثة على كامل الخط.
◀ يكون المنشار مضبوطاً بشكل صحيح.

النتيجة 2 / 2

تكون المسطرة الزاوية وشفرة المنشار غير متعاذيتين في قياس واحد أو عدة قياسات.
◀ توجه إلى مركز خدمة Hilti.

2.4.7 ضبط مؤشر زاوية الشطب الرأسية 19

1. افحص زاوية الشطب الرأسية من حيث دقتها وصحتها. - صفحة 251
2. اضبط زاوية الشطب على 0°.
3. قم بحل برغي تثبيت مؤشر زاوية الشطب الرأسية واضبطها بدقة على البيان 0°.
4. اربط برغي التثبيت بيدك مرة أخرى. وقم عندئذ بتثبيت المؤشر بدقة على البيان 0°.
5. كرر الخطوة عند اللزوم للمؤشر الثاني لزاوية الشطب الرأسية.
6. تحقق من تطابق زاوية الشطب الرأسية الفعلية وكلا المؤشرين للزاويتين 45° يمينا و 45° يساراً.
◀ إذا كان هناك مؤشر أثناء عملية التحقق لا يتطابق مع الزاوية الفعلية في موضع واحد أو عدة مواضع ويتعذر ضبطه بشكل كاف، فتوجه إلى مركز خدمة Hilti.

3.4.7 فحص زاوية الشطب الأفقية

1. ارفع رأس المنشار للخلف حتى النهاية (بعيداً عنك).
2. اضبط لوح الصد الخاص بمصد العمق بحيث يمر مصد العمق من خلال الفتحة عند خفض رأس المنشار.
- صفحة 246
3. اضبط زاوية الشطب على 0°.
4. اضغط على رأس المنشار لأسفل وادفع وسيلة تأمين النقل للداخل لتأمين قفل رأس المنشار.
5. اضبط زاوية الشطب الأفقية على زاوية 0°.
6. اضبط المسطرة الزاوية على 90°.
7. ضع المسطرة الزاوية بشكل مسطح على قاعدة المنشار وبشكل متعاذ على مصد الشطب.
8. حرك المسطرة الزاوية نحو شفرة المنشار.
◀ يجب أن تكون المسطرة الزاوية متعاذية على كامل الخط مع شفرة المنشار.
9. اضبط زاوية الشطب الأفقية على زاوية 45° يمينا.
10. اضبط المسطرة الزاوية على زاوية 45° (بدلاً من ذلك زاوية 135° لقياس الجانب الأيسر).
11. ضع المسطرة الزاوية بشكل مسطح على قاعدة المنشار وبشكل متعاذ على مصد الشطب.
12. حرك المسطرة الزاوية نحو شفرة المنشار.
◀ يجب أن تكون المسطرة الزاوية متعاذية على كامل الخط مع شفرة المنشار.



13. كرر الخطوات بالنسبة لزاوية الشطب الأفقية 45° يسارا.

النتيجة 2 / 1

تكون المسطرة الزاوية متماذبة مع شفرة المنشار في جميع القياسات الثلاثة على كامل الخط.
 ◀ يكون المنشار مضبوطا بشكل صحيح.

النتيجة 2 / 2

تكون المسطرة الزاوية وشفرة المنشار غير متماذبتين في قياس واحد أو عدة قياسات.
 ▶ اضبط زاوية الشطب الأفقية أو توجه إلى مركز خدمة Hilti. ← صفحة 253

4.4.7 ضبط زاوية الشطب الأفقية ومقياس التدرج 20

1. قم بتثبيت القرص الدوار على الوضع 0°.
2. قم بحل مقبض تثبيت القرص الدوار.
3. قم بحل براغي التثبيت الأربعة لمقياس تدرج زاوية الشطب الأفقية.
4. اضبط المسطرة الزاوية على 90°.
5. ضع المسطرة الزاوية بشكل مسطح على قاعدة المنشار وبشكل متمازح على مصد الشطب.
6. حرك المسطرة الزاوية نحو شفرة المنشار. اضبط القرص الدوار شاملا مقياس تدرج زاوية الشطب الأفقية بالاستعانة بالمسطرة الزاوية.
- ◀ يجب أن تكون المسطرة الزاوية متماذبة على كامل الخط مع شفرة المنشار.
7. أحكم ربط مقبض تثبيت القرص الدوار للحيلولة دون تحرك القرص الدوار.
8. أحكم ربط براغي التثبيت الأربعة لمقياس تدرج زاوية الشطب الأفقية.
9. تحقق من ضبط زاوية الشطب الأفقية بمقدار 45° يمينا و 45° يسارا. ← صفحة 252

النتيجة 2 / 1

تكون المسطرة الزاوية متماذبة على كامل الخط مع شفرة المنشار في حالة ضبط زوايا قطع مشطوب أفقية بمقدار 45° يمينا و 45° يسارا.
 ◀ يكون المنشار مضبوطا بشكل صحيح.

النتيجة 2 / 2

تكون المسطرة الزاوية وشفرة المنشار غير متماذبتين في قياس واحد أو عدة قياسات.
 ▶ توجه إلى مركز خدمة Hilti.

5.4.7 ضبط مؤشر زاوية الشطب الأفقية 21

1. افحص زاوية الشطب الأفقية من حيث دقتها وصحتها. ← صفحة 252
2. اضبط عند اللزوم زاوية الشطب الأفقية. ← صفحة 253
3. اضبط زاوية الشطب الأفقية على زاوية 0°.
4. قم بحل برغي تثبيت مؤشر زاوية الشطب الأفقية واضبطها بدقة على البيان 0°.
5. اربط برغي التثبيت بيدك مرة أخرى. وقم عندئذ بتثبيت المؤشر بدقة على البيان 0°.
6. كرر الخطوة عند اللزوم للمؤشر الثاني بالنسبة لزاوية الشطب الأفقية.
7. تحقق من تطابق زاوية الشطب الأفقية الفعلية وكلا المؤشرين للزاويتين 45° يمينا و 45° يسارا.
 ▶ إذا كان هناك مؤشر أثناء عملية التحقق لا يتطابق مع الزاوية الفعلية في موضع واحد أو عدة مواضع ويتعدر ضبطه بشكل كاف، فتوجه إلى مركز خدمة Hilti.

5.7 تغيير مجمع الغبار 22

تحذير ⚠

خطر الإصابة من جراء الحارفة المركبة بشكل خاطئ. إذا تم تركيب الحارفة بشكل خاطئ، فقد تتعرض شفرة المنشار للانحصار. فقد تنكسر الحارفة أو شفرة المنشار وقد تنطير أجزاء منها للخارج.
 ▶ احرص عند تركيب الحارفة على أن يتم تركيبها بشكل صحيح. ويجب أن يكون الجزء المحمل بنايض بالحارفة موجها بعيدا عن شفرة المنشار.

1. قم بحل براغي التثبيت (1) على أحد الجانبين ثم اخلع الحارفة (3).
2. قم بحل براغي التثبيت الموجودة على الجانب المقابل ثم اخلع الحارفة الثانية ومجمع الغبار (2).
3. قم بتركيب مجمع الغبار الجديد (2) وحارفة (3).
 ▶ تأكد من ضبط الوضعية الصحيحة للحارفة.
4. اربط كلا الجزأين بواسطة براغي التثبيت.



5. أحكم ربط الحارفة الثانية وجميع الغبار على الجانب المقابل.
 - ◀ تأكد من ضبط الوضعية الصحيحة للحارفة.
 - ◀ تأكد من الثبات المحكم لمجمع الغبار وكلتا الحارفتين.

6.7 تغيير اللوحة المشقوقة 25

اللوحة المشقوقة مضبوطة من قبل المصنع بحيث لا تتلامس مع شفرة المنشار. وعلى الرغم من ذلك تخضع اللوحة المشقوقة لقدر معين من التآكل. تقدم Hilti اللوحات المشقوقة كقطع غيار. ويمكن تغييرها بسرعة وسلاسة من قبل المستخدم.

1. افتح جميع براغي تثبيت اللوحات المشقوقة وتخلص من اللوحات المشقوقة المتآكلة.
2. قم بتركيب اللوحات المشقوقة الجديدة.
3. اربط براغي التثبيت دون إحكام، بحيث يظل من الممكن تحريك اللوحات المشقوقة.
4. اضبط وضع اللوحات المشقوقة بحيث لا تتلامس شفرة المنشار معك.
 - ◀ افحص على وجه الخصوص زوايا الشطب الرأسية القصوى يميناً ويساراً.
 - ◀ افحص أيضاً جميع زوايا الشطب الأفقية والرأسية الأخرى.
5. اربط جميع براغي التثبيت بيدك بعد إتمام عملية الضبط.

8 نقل وتخزين أدوات الشغل العاملة ببطارية والبطاريات 24، 25

نقل منشار التلسين للقطع المشطوب

قم بتنفيذ الخطوات التالية قبل نقل المنشار:

- ◀ ادفع رأس المنشار للخلف حتى النهاية (بعيداً عنك).
- ◀ قم بتثبيت الرف الجرار. ← صفحة 245
- ◀ اضبط لوح الصد الخاص بمصد العمق بحيث يمر مصد العمق من خلال الفتحة عند خفض رأس المنشار. ← صفحة 246
- ◀ اضبط زاوية الشطب على 0°.
- ◀ اضغط على رأس المنشار لأسفل وادفع وسيلة تأمين النقل للداخل لتأمين قفل رأس المنشار.
- ◀ إذا لزم الأمر، ادفع الدعامة الإضافية إلى الداخل بالكامل. ← صفحة 246
- ◀ اضبط زاوية الشطب الأفقية إلى اليمين حتى النهاية (60 درجة)، وقم بتثبيت القرص الدوار.
- ◀ قم بإزالة جميع أجزاء الملحقات (مثل القامطة الملولبة) التي لا يمكن تركيبها بشكل آمن على المنشار.
- ◀ إذا لزم الأمر، قم بفك مفتاح الثبات وتثبيتته في أحد مواضع التثبيت الموجودة في الجزء الخلفي من مصد الشطب العلوي.

لا تحمل المنشار إلا من المواضع المخصصة لذلك:

- تجايف مسك أسفل الدعامة الإضافية (1)
- تجايف مسك في المنطقة الخلفية بجوار شفاط الغبار (2)
- مقبض يدوي في رأس المنشار (3)

نقل البطاريات

⚠ احترس:

التشغيل غير مقصود عند النقل!

- ◀ قم بنقل المنتج دائماً بدون البطاريات!

- ◀ اخلع البطارية/البطاريات.
- ◀ لا تقم بنقل البطاريات بكميات كبيرة. ينبغي أثناء النقل حماية البطاريات من الاصطدام العنيف والاهتزازات، وكذلك عزلها عن أية مواد موصلة للكهرباء أو أية بطاريات أخرى، وذلك حتى لا تتلامس مع أقطاب بطاريات أخرى ومن ثم حدوث قفلة كهربائية. **احرص على مراعاة تعليمات النقل المحلية للبطاريات.**
- ◀ لا يجوز إرسال البطاريات عن طريق البريد. توجه إلى شركة شحن، إذا كنت ترغب في إرسال بطاريات غير تالفة.
- ◀ افحص المنتج والبطاريات من حيث وجود أضرار قبل كل استخدام وقبل وبعد النقل لمسافة طويلة.

التخزين

⚠ تحذير

أضرار غير مقصودة بسبب البطاريات التالفة أو التي بها تسريب!

- ◀ قم بتخزين المنتج دائماً بدون البطاريات!



- ◀ احرص على تخزين المنتج والبطاريات في مكان بارد وجاف. احرص على مراعاة القيم الحدية لدرجات الحرارة الواردة في المواصفات الفنية.
- ◀ لا تمتفط بالبطاريات على جهاز الشحن. قم دائماً بإزالة البطارية من الشحن بعد انتهاء عملية الشحن.
- ◀ لا تقم أبداً بتخزين البطاريات تحت أشعة الشمس أو في مصادر الحرارة أو خلف الزجاج.
- ◀ احرص على تخزين المنتج والبطاريات والاحتفاظ به بعيداً عن تناول الأطفال والأشخاص غير المصرح لهم.
- ◀ افحص المنتج والبطاريات من حيث وجود أضرار قبل كل استخدام وقبل وبعد التخزين لفترة طويلة.

9 المساعدة في حالات الاختلالات

في حالات حدوث الاختلالات، احرص على مراعاة مبيّن حالة البطارية. انظر الفصل **بيانات بطارية أيونات الليثيوم**.
في حالة وجود اختلالات غير واردة في هذا الجدول، أو لم تستطع التغلب عليها بنفسك توجه إلى مركز خدمة Hilti.

الخلل	السبب المحتمل	الحل
عدد اللفات ينخفض بشدة بشكل مفاجئ.	فراغ شحنة البطارية.	◀ اشحن البطارية.
نصل المنشار يثبت في موضعه.	قوة الدفع عالية للغاية.	◀ قم بتقليل قوة الدفع وإعادة تشغيل المنتج.
لا توجد وظيفة كبح بالموتور.	قوة الدفع عالية للغاية.	◀ قم بتقليل قوة الدفع وإعادة تشغيل المنتج.
زوايا القطع غير دقيقة.	فراغ شحنة البطارية.	◀ اشحن البطارية.
لمبات LED بالبطارية لا تشير لشيء	تم تعديل ضبط دقة الزاوية أو مقياس التدرج أو المؤشرات.	◀ افحص واضبط أوضاع الضبط والمبيّنات. ← صفحة 251 ◀ إذا لم تستطع ضبط وضع ضبط معين بنفسك أو إذا انحرقت درجة دقة المنشار بشكل كبير للغاية، فتوجه إلى مركز خدمة Hilti.
	البطارية بها عطل	◀ توجه إلى مركز خدمة Hilti.

10 التكبير



- خطر الإصابة من جراء التكبير غير المطابق للتعليمات! خطر على الصحة من جراء الغازات والسوائل المتسربة.**
- ◀ لا تقم بإرسال أو توريد بطاريات تالفة!
 - ◀ قم بتغطية التوصيلات باستخدام مادة غير موصلة للكهرباء وذلك لتجنب حدوث قفلات كهربائية.
 - ◀ تخلص من البطاريات بحيث لا تصل إلى تناول الأطفال.
 - ◀ تخلص من البطارية لدى متجر **Hilti Store** أو توجه إلى مركز التخلص من النفايات المختص.

منتجات Hilti مصنوعة بنسبة كبيرة من مواد قابلة لإعادة التدوير. يشترط إعادة التدوير أن يتم فصل الخامات بشكل سليم فنياً. في كثير من الدول تقوم Hilti باستعادة جهازيك القديم لإعادة الانتفاع به. توجه بأسئلك لخدمة عملاء Hilti أو لمستشار المبيعات.

◀ لا تعلق الأدوات الكهربائية، الأجهزة الإلكترونية والبطاريات ضمن القمامة المنزلية!

11 ضمان الجبة الصانعة

- ◀ في حالة وجود أية استفسارات بخصوص شروط الضمان، يرجى التوجه إلى وكيل Hilti المحلي التابع لك.

12 مزيد من المعلومات

تجد مزيداً من المعلومات حول الاستعمال والتقنية والبيئة وإعادة التدوير تحت الرابط التالي:
qr.hilti.com/manual/?id=2395172&id=2395174
تجد هذا الرابط أيضاً في نهاية دليل الاستعمال ككود QR.



オリジナル取扱説明書

1 取扱説明書について

1.1 本取扱説明書について

- 警告事項！ 本製品をご使用になる前に、同梱の取扱説明書と指示事項、安全上の注意、警告表示、図および製品仕様を読んで、その内容を理解を理解してください。特に、すべての指示事項、安全上の注意、警告表示、図、製品仕様、構成部品と機能に精通しているようにしてください。これを怠ると、感電、火災、および/または重傷事故の危険があります。後日確認できるように、取扱説明書とすべての指示事項、安全上の注意、警告表示を保管しておいてください。
- 製品に同梱されている取扱説明書は、印刷の時点で最新の技術状況を反映しています。オンラインのHilti製品ページで常に最新バージョンをご確認ください。これについては、本取扱説明書のリンク、またはQRコード (📄の記号) に従ってください。
- 他の人が使用する場合には、本製品とともにこの取扱説明書を一緒にお渡しください。

1.2 記号の説明

1.2.1 警告表示

警告表示は製品の取扱いにおける危険について警告するものです。以下の注意喚起語が使用されています：

危険

危険！

- この表記は、重傷あるいは死亡事故につながる危険性がある場合に注意を促すために使われます。

警告

警告！

- この表記は、重傷あるいは死亡事故につながる可能性がある場合に注意を促すために使われます。

注意

注意！

- この表記は、身体の負傷あるいは物財の損傷が発生する可能性がある場合に使われます。

1.2.2 取扱説明書の記号

この取扱説明書では、以下の記号が使用されています：

	取扱説明書に注意してください
	本製品を効率良く取り扱うための注意事項や役に立つ情報
	リサイクル可能な部品の取扱い
	電動工具およびバッテリーを一般ゴミとして廃棄してはなりません
	Hilti Li-Ion バッテリー
	Hilti 充電器

1.2.3 図中の記号

図中では以下の記号が使用されています：

	この数字は本取扱説明書冒頭にある該当図を示しています。
3	図中の付番は、重要な作業手順あるいは作業手順にとって重要なパーツであることを示しています。本文中ではこれらの作業手順またはパーツは、(3) のように当該の番号でハイライト表示されています。
	概要図には項目番号が付されていて、製品概要セクションの凡例の番号に対応しています。
	この記号は、製品の取扱いの際に特に注意が必要なことを示しています。



1.3 製品により異なる記号

1.3.1 一般的な記号

本製品とともに用いられる記号。

	本製品は、iOS および Android プラットフォームと互換性のある NFC テクノロジーをサポートしています。
---	直流
n_0	無負荷回転数
\varnothing	直径
	ソーブレードの本体寸法
	光源を覗き込まないでください。
Li-Ion	Li-Ionen バッテリー
	バッテリーは決して何らかの物を使って叩かないでください、またバッテリーは決して打撃工具として使用しないでください。
	バッテリーは落下させないでください。ぶつけたり、あるいはその他の理由で損傷しているバッテリーは使用しないでください。

1.3.2 禁止表示

禁止表示は、禁止されている行為について指摘するものです。

	危険領域！ 手、指、腕をこの領域に近づけないでください。
--	------------------------------

1.3.3 義務表示

義務表示は、必ず行うべき行為について指摘するものです。

	耳栓を使用すること
	アイシールドを着用する

1.4 製品情報

HILTI 製品はプロ仕様で製作されており、その使用、保守、修理を行うのは、認定を受けトレーニングされた人のみに限ります。これらの人は、遭遇し得る危険に関する情報を入手していなければなりません。製品およびアクセサリの使用法を知らない者による誤使用、あるいは規定外の使用は危険です。機種名および製造番号は銘板に表示されています。

- ▶ 製造番号を以下の表に書き写しておいてください。ヒルティ代理店やサービスセンターへお問い合わせの際には、製品データが必要になります。

製品データ

バッテリー式マイターソー	SM 60-22
製品世代	01
製造番号	

1.5 適合宣言

製造者は、単独の責任において本書で説明している製品が有効な法規と有効な標準規格に適合していることを宣言します。適合宣言書の複写は本書の末尾にあります。

技術資料は本書の後続の頁に記載されています：

Hilti Entwicklungsgesellschaft mbH | Zulassung Geräte | Hiltistraße 6 | 86916 Kaufering, DE



2.1 電動工具の一般安全注意事項

警告事項 本電動工具に付属のすべての安全上の注意、指示事項、図、および製品仕様をお読みください。以下の指示を守らないと、感電、火災および / または重傷事故の危険があります。

安全上の注意および指示事項が書かれた説明書はすべて大切に保管してください。

安全上の注意で使用する用語「電動工具」とは、お手持ちの電動ツール（電源コード使用）またはバッテリーツール（コードレス）を指します。

作業環境に関する安全

- ▶ 作業場はきれいに保ち、十分に明るくしてください。ちらかった暗い場所での作業は事故の原因となります。
- ▶ 爆発の危険性のある環境（可燃性液体、ガスおよび粉じんのある場所）では電動工具を使用しないでください。電動工具から火花が飛散し、粉じんや揮発性ガスに引火する恐れがあります。
- ▶ 電動工具の使用で、子供や無関係者を作業場へ近づけないでください。作業中に気がそらされると、本体のコントロールを失ってしまう恐れがあります。

電気に関する安全注意事項

- ▶ 電動工具の接続プラグは電源コンセントにきちんと適合しなければなりません。プラグは絶対に変更しないでください。保護接地した電動工具と一緒にアダプタープラグを使用しないでください。オリジナルのプラグと適切なコンセントを使用することにより、感電の危険を小さくすることができます。
- ▶ パイプ、ラジエーター、電子レンジ、冷蔵庫などのアースされた面に体の一部が触れないようにしてください。体が触れると感電の危険が大きくなります。
- ▶ 電動工具を雨や湿気から保護してください。電動工具に水が浸入すると、感電の危険が大きくなります。
- ▶ 電動工具を持ち運んだり、吊り下げたり、コンセントからプラグを抜いたりするときは、必ず本体を持ち、電源コードを持ったり引っ張ったりしないでください。電源コードを火気、オイル、鋭利な刃物、可動部等に触れる場所に置かないでください。電源コードが損傷したり絡まったりしていると、感電の危険が大きくなります。
- ▶ 屋外工事の場合には、必ず屋外専用の延長コードを使用してください。屋外専用の延長コードを使用すると、感電の危険が小さくなります。
- ▶ 湿った場所で電動工具を動作させる必要がある場合は、漏電遮断器を使用してください。漏電遮断器を使用すると、感電の危険が小さくなります。

作業者に関する安全

- ▶ 電動工具を使用の際には、油断せずに十分注意し、常識をもった作業をおこなってください。疲れている場合、薬物、医薬品服用およびアルコール飲用による影響下にある場合には電動工具を使用しないでください。電動工具使用中の一瞬の不注意が重傷の原因となることがあります。
- ▶ 個人用保護具および保護メガネを常に着用してください。負傷の危険を低減するために、電動工具の使用状況に応じた粉じんマスク、耐滑性の安全靴、ヘルメット、耳栓などの個人用保護具を着用してください。
- ▶ 電動工具の意図しない始動を防止して下さい。電動工具を電源および / またはバッテリーに接続する前や本体を持ち上げたり運んだりする前に、本体がオフになっていることを必ず確認してください。オン / オフスイッチが入っている状態で電動工具のスイッチに指を掛けたまま運んだり、電源に接続したりすると、事故の原因となる恐れがあります。
- ▶ 電動工具のスイッチを入れる前に、必ず調節キーやレンチを取り外してください。調節キーやレンチが本体の回転部に装着されたままでは、けがの原因となる恐れがあります。
- ▶ 作業中是不安定な姿勢をとらないでください。足元を安定させ、常にバランスを保つようにしてください。これにより、万一電動工具が異常状況に陥った場合にも、適切な対応が可能となります。
- ▶ 作業に適した作業着を着用してください。だぶだぶの衣服や装身具を着用しないでください。髪、衣服、手袋を本体の可動部に近づけないでください。だぶだぶの衣服、装身具、長い髪が可動部に巻き込まれる恐れがあります。
- ▶ 吸じんシステムの接続が可能な場合には、これらのシステムが適切に接続、使用されていることを確認してください。吸じんシステムを利用することにより、粉じん公害を防げます。
- ▶ 電動工具の取扱いに熟練している場合にも、正しい安全対策を遵守し、電動工具に関する安全規則を無視しないでください。不注意な取扱いは、ほんの一瞬で重傷事故を招くことがあります。

電動工具の使用および取扱い

- ▶ 無理のある使用を避けてください。作業用途に適した電動工具を使用してください。適切な電動工具の使用により、効率よく、スムーズかつ安全な作業が行えます。
- ▶ スイッチが故障している場合には、電動工具を使用しないでください。スイッチで始動および停止操作のできない電動工具は危険ですので、修理が必要です。



- ▶ 本体の設定やアクセサリーの交換を行う前や本体を保管する前には電源プラグをコンセントから抜き、および / または脱着式のバッテリーを取り外してください。この安全処置により、電動工具の意図しない始動を防止することができます。
- ▶ 電動工具をご使用にならない場合には、子供の手の届かない場所に保管してください。電動工具に関する知識のない方、本説明書をお読みでない方による本体のご使用は避けてください。未経験者による電動工具の使用は危険です。
- ▶ 電動工具とアクセサリーは慎重に手入れしてください。可動部分が引っ掛かりなく正常に作動しているか、電動工具の運転に影響を及ぼす各部分が破損・損傷していないかを確認してください。電動工具をご使用になる前に、損傷部分の修理を依頼してください。事故の多くは保守管理の不十分な電動工具の使用が原因となっています。
- ▶ 先端工具は鋭利で汚れない状態を保ってください。お手入れのゆきとどいた先端工具を使用すると、作業が簡単かつ、スムーズになります。
- ▶ 電動工具、アクセサリー、先端工具などは、それらの説明書に記載されている指示に従って使用してください。その際は、作業環境および用途についてもご注意ください。指定された用途以外に電動工具を使用すると危険な状況をまねく恐れがあります。
- ▶ グリップとグリップ面は乾燥した清潔な状態に保ち、オイルやグリスの付着がないようにしてください。グリップやグリップ面が滑りやすい状態になっていると、予期していない状況が発生した際に電動工具を安全に使用 / 制御できません。

バッテリー工具の使用および取扱い

- ▶ バッテリーを充電する場合は、必ずメーカー推奨の充電器を使用してください。特定タイプのバッテリー専用の充電器を他のバッテリーに使用すると、火災の恐れがあります。
- ▶ 電動工具には、必ず指定されたバッテリーを使用してください。指定以外のバッテリーを使用すると、負傷や火災の恐れがあります。
- ▶ 使用されていないバッテリーの近くに、事務用クリップ、硬貨、キー、釘、ネジ、その他の小さな金属物を置かないでください。電気接点の短絡が起こることがあります。バッテリーの電気接点間が短絡すると、火傷や火災が発生する危険があります。
- ▶ 正しく使用しないと、液漏れが発生することがあります。その場合、漏れた液には触れないでください。もしも触れてしまった場合は、水で洗い流してください。バッテリー液が眼に入った場合は、水で洗い流してから医師の診察を受けてください。流出したバッテリー液により、皮膚が刺激を受けたり火傷を負う恐れがあります。
- ▶ 損傷したあるいは変更が加えられたバッテリーは使用しないでください。損傷したあるいは変更が加えられたバッテリーは、予測不可能な挙動により爆発あるいは負傷事故を発生させる危険があります。
- ▶ バッテリーは火気あるいは高温に曝さないでください。火気あるいは 130 °C (265 °F) を超える高温は、爆発の原因となることがあります。
- ▶ 充電に関するすべての指示事項に従い、バッテリーあるいはバッテリー工具は、決して取扱説明書に記載された温度範囲外で充電しないでください。正しくない充電あるいは許容温度範囲外での充電により、バッテリーが破壊され火災が発生する危険があります。

サービス

- ▶ 電動工具の修理は必ず認定サービスセンターにお申し付けください。また、必ず純正部品を使用してください。これにより電動工具の安全性が確実に維持されます。
- ▶ 損傷したバッテリーは決して手入れや保守を行わないでください。バッテリーの保守作業はすべて、メーカーあるいは権限のあるお客様サービスセンターが行うものとします。

2.2 マイターソーの安全上の注意

- ▶ マイターソーは、木材または木材に類似した製品を切断するためのものであり、鉄製材料 (棒、ロッド、ネジ等) の切断には使用できません。研磨粉じんは、下部保護カバーなどの可動部分のブロックの原因となります。切断火花は、下部保護カバー、挿入プレート、その他のプラスチック部分を焦がします。
- ▶ 可能であれば、作業材料をクランプで固定します。作業材料を手で保持する場合は、手をソーブレードの各側面から 100 mm (4 インチ) 以上離してください。このソーは、クランプで固定したり、手で保持したりするには小さすぎる部材の切断には使用しないでください。手がソーブレードの近くにあると、ソーブレードと接触して負傷の危険が高くなります。
- ▶ 作業材料は動かないように固定するか、またはストッパーおよびテーブルに押し付ける必要があります。作業材料をソーブレードの中に押し込まないでください。また、決して「手で支えることなく」切断を行わないでください。作業材料が緩んだり、動いたりすると、回転数が高い場合には作業材料が飛び出して負傷するおそれがあります。
- ▶ ソーを押して作業材料に通します。ソーを引いて作業材料に通すことは避けてください。切断するには、ソーヘッドを持ち上げ、切断せずに作業材料の上方に引き上げます。続いてモーターをオンにして、ソーヘッドを下ろし、ソーを押して作業材料に通します。引きながら切断すると、ソーブレードが作業材料に乗り上げ、ソーブレードユニットが作業者に向かって勢いよく飛んでくる危険があります。



- ▶ ソーブレードの前方および後方のどちらにおいても、所定の切断ライン上で手を交差させることはしないでください。「手を交差させて」の作業材料の保持、つまりソーブレードの右側において作業材料を左手でを保持すること（またはその逆）は、非常に危険です。
- ▶ ソーブレードの回転中は、ストッパーの後方に手を出さないでください。手と回転中のソーブレードとの間の安全距離 100 mm (4 インチ) を下回らないようにしてください (このことは、端材を取り除く場合などにはソーブレードの両側に該当します)。回転中のソーブレードが手に近づいてくることに気づかずに、重傷を負う危険があります。
- ▶ 切断前に作業材料を点検してください。作業材料が曲がっていたり、反ったりしている場合、外側へ湾曲している側をストッパーに向けて固定します。切断ラインに沿って、作業材料、ストッパー、テーブルの間にすき間がないことを必ず確認してください。曲がりや反りのある作業材料の位置が変わったりずれたりして、切断時に回転中のソーブレードが噛むことがあります。作業材料内には、ネイルや異物があってはなりません。
- ▶ テーブルに先端工具、端材などがいないことを確認してから、ソーを使用してください。テーブルの上にあっていいのは作業材料だけです。小さな端材、外れた木片、その他の物が回転中のブレードと接触して、高速で飛んでくるおそれがあります。
- ▶ 1 回の切断で作業材料を 1 個だけ切断するようにしてください。複数の作業材料を積み重ねると、適切な固定や保持ができなくなり、切断時にブレードが噛む原因になったり、作業材料が滑るおそれがあります。
- ▶ ご使用になる前に、マイターソーを平坦でしっかりとした作業面に固定してください。平坦でしっかりとした作業面により、マイターソーが不安定になる危険が少なくなります。
- ▶ 作業計画を立ててください。ソーブレードの傾きやマイター角を調整する場合は、その都度、調整可能なストッパーが正しく調整されており、作業材料がブレードまたは保護カバーと接触することなく調節式ストッパーで支持されていることを確認してください。機械をオンにすることなく、またテーブルに作業材料を置かないで、ソーブレードの完全な切断動作をシミュレーションすることで、障害物やストッパーへの切込みの危険がないことを確認できます。
- ▶ テーブルの上面よりも広い、または長い作業材料では、テーブル延長部または木挽き台によって十分なサポートを行ってください。マイターソーのテーブルよりも長い、または幅広い作業材料は、しっかりと支持されていないと傾くことがあります。切断した木片または作業材料が傾くと、下部保護カバーを持ち上げたり、回転しているブレードから制御不能な状態で飛び出してくるおそれがあります。
- ▶ テーブル延長部の代わりとして、または追加のサポートのための作業を、別の人行わせないでください。作業材料の支持が不安定だと、ブレードが噛んでしまうことがあります。また、作業材料が切断中にずれて、ご自身と助手が回転中のブレードに引き込まれるってしまうことも考えられます。
- ▶ 切断片を、回転中のソーブレードに向かって押し付けしないでください。長手方向ストッパーの使用時など、スペースが少ない場合は、切断片がブレードに食い込んで、勢いよく飛ばされるおそれがあります。
- ▶ ロッドやパイプなどの円形材料は、必ず、クランプまたは適切な装置を使用して適切に支持してください。ロッドは切断時に転がりやすく、それによってブレードが「食い込み」、作業材料が手と一緒にブレードに引き込まれることがあります。
- ▶ 作業材料に切り込む前にブレードの回転数を全負荷回転数まで上昇させます。これにより、作業材料が投げ出されるリスクが少なくなります。
- ▶ 作業材料が挟まったり、ブレードがブロックされた場合には、マイターソーをオフにしてください。すべての可動部分が停止するまで待機し、電源プラグを抜くか、バッテリーを取り外すか、あるいはその両方を行います。その後、挟まった材料を取り除きます。そのようなブロックがある場合に切断を続けると、コントロールが失われたり、マイターソーが損傷したりする危険があります。
- ▶ 切断が終了したらスイッチから手を放し、ソーヘッドを下げたままにして、ブレードが静止するまで待って切断片を取り除きます。徐々に停止しつつあるブレードに手を近づけるのは非常に危険です。
- ▶ 不完全な切断を実行する場合は、ソーヘッドが下方位置になる前にスイッチから手を放す場合は、グリップをしっかりと保持してください。ソーのブレーキ作用により、ソーヘッドが急激に下がり、負傷する危険があります。

2.3 その他の安全上の注意

- ▶ 本製品とアクセサリは、必ず技術的に問題のない状態で使用してください。
- ▶ 本製品あるいはアクセサリには、決して加工や改造を加えないでください。
- ▶ 落下する先端工具および / またはアクセサリによる負傷の危険。作業を開始する前に、バッテリーおよび取り付けられたアクセサリが確実に固定されていることを確認してください。



- ▶ 研磨、紙やすり研磨、切断および穿孔の際に発生する粉じんは、化学物質を含んでいる場合があります。これには、鉛、あるいは鉛ベースの塗料、レンガ、コンクリートおよびその他の壁用資材、自然石およびその他の珪酸塩含有製品、樫、樺などの特定の木材、および化学処理の施された木材、アスベストあるいはアスベストが含まれる母材、などが考えられます。作業対象の資材の危険等級により、作業者および周囲の人員の曝露を確認してください。曝露を安全なレベルに維持するために、粉じん吸引システムの使用、あるいは適切な防じんマスクの着用などの必要な処置を取ってください。曝露の低減のための一般的な処置としては、以下のようなものがあります：
 - ▶ 十分に換気された領域での作業
 - ▶ 粉じんと長時間の接触の回避
 - ▶ 粉じんを顔や体から遠ざける
 - ▶ 保護服を着用し、水と石鹸で曝露領域を洗浄する。
- ▶ 本製品の使用時には、アイシールド、保護ヘルメット、耳栓、および適切な防じんマスクを着用してください。
- ▶ 頻繁に休憩を取って、指を動かして血行を良くするように心がけてください。長時間作業の際には、強い振動により指、手あるいは手首の関節の血管あるいは神経系に障害が発生する可能性があります。
- ▶ 通気溝は常にふさがないようにしてください。通気溝が覆われることによる火傷の危険！
- ▶ ソーヘッドを下へ送ったら、グリップを放さないでください。ソーヘッドをコントロールしながら上方位置に戻します。ソーヘッドをコントロールせずに動かすと、負傷の危険があります。
- ▶ 切れ味が悪い、ひび割れがある、反りがある、あるいは損傷しているソーブレードは使用しないでください。ソーブレードの歯の切れ味が悪い場合やソーブレードが正しく合っていない場合、カットギャップが狭くなりすぎて、摩擦が大きくなったり、ソーブレードの噛みや反動が起こります。
- ▶ ソーが回転している間は、決して残材、木屑等を取り除かないでください。最初にソーのスイッチを切ってから、ソーヘッドを上方位置に戻します。
- ▶ 必ず本製品に許可されているソーブレードを使用してください。本製品向けに許可されているソーブレードは、製品仕様や製品、またはその両方に記載されたデータ（直径、全負荷回転数、厚さ、取り付け穴、母材等）に対応しており、標準規格EN 847-1に従って検査され、マークが付けられています。
- ▶ 必ず許容回転数が本製品に表記されている最高回転数以上のソーブレードを使用してください。
- ▶ 作業後は、冷めるまでソーブレードに触らないでください。ソーブレードは、作業中に非常に高温になっています。
- ▶ ソーブレードを交換する際には保護手袋を着用してください。
- ▶ ご使用の前には毎回、保護カバーが正しく閉じられているか点検してください。ソーヘッドを下方へ動かし、コントロールしながら上方位置に戻します。保護カバーがスムーズに動かず、ソーヘッドが持ち上げられると直ちに閉じない場合は、ソーを使用しないでください。下部保護カバーを開いた位置のまま固定しないでください。
- ▶ 本製品は決して保護カバーを取り付けずに使用しないでください。
- ▶ アルミニウム成形材を切断する場合、先端工具は常に低速で回転させてください。
- ▶ 必ず、本製品に付属している補助サポートを使用し、固定してください。
- ▶ 本製品を搬送する際には、必ず、所定の箇所（リセグリップおよび搬送グリップ）を持って運びます。電動工具は、決してスライドアームまたはハンドルを持って運ばないでください。→ 頁 276
- ▶ 歯の先端が過熱しないようにしてください。プラスチックの切断の際は、プラスチックの溶解を防がねばなりません。

2.4 バッテリーの慎重な取扱いおよび使用

- ▶ Li-Ion バッテリーの安全な取扱いと使用のために、以下の安全上の注意を遵守してください。これを守らないと、皮膚の炎症、重篤な腐食負傷、化学火傷、火災および / あるいは爆発の原因となることがあります。
- ▶ バッテリーは、必ず技術的に問題のない状態で使用してください。
- ▶ 損傷を防止して健康にとってきわめて危険なバッテリー液の漏出を防ぐため、バッテリーは慎重に取り扱ってください！
- ▶ バッテリーは決して改造したり手を加えたりしないでください！
- ▶ バッテリーを分解したり、挟んだり、80°C (176°F) 以上に加熱したり、燃やしたりしないでください。
- ▶ ぶつかけたり、あるいはその他の損傷を受けたバッテリーは、使用したり充電したりしないでください。バッテリーは、損傷の痕跡がないか定期的に点検してください。
- ▶ リサイクルあるいは修理されたバッテリーは、決して使用しないでください。
- ▶ バッテリーまたはバッテリー式電動工具は、決して打撃工具として使用しないでください。
- ▶ バッテリーは、決して直射日光、高温、火花の発生、裸火に曝さないでください。これを守らないと、爆発の原因となることがあります。
- ▶ バッテリーの電極に、指、工具、装身具あるいはその他の導電性のある物体で触れないようにしてください。これを守らないと、バッテリーの損傷、物財の損傷および負傷の原因となることがあります。



- ▶ バッテリーを雨、湿気、液体から保護してください。バッテリー内に湿気が入り込むと、短絡、感電、火傷、火災あるいは爆発の原因となることがあります。
- ▶ 必ずご使用のバッテリータイプ用に指定された充電器と電動工具を使用してください。これについては、充電器や電動工具の取扱説明書の記述を確認してください。
- ▶ バッテリーは、爆発の可能性がある場所で使用あるいは保管しないでください。
- ▶ バッテリーが掴むことのできないほどに熱くなっている場合は、故障している可能性があります。バッテリーを、目視確認が可能で可燃物のない場所に、可燃性の資材から十分な距離を設けて置いてください。バッテリーを冷ます。1時間の経過後にも掴むことのできないほどに熱い場合は、そのバッテリーは故障している可能性があります。Hilti サービスセンターにご連絡いただくか、あるいは「Hilti の Li-Ion バッテリーの安全と使用についての注意事項」をお読みください。

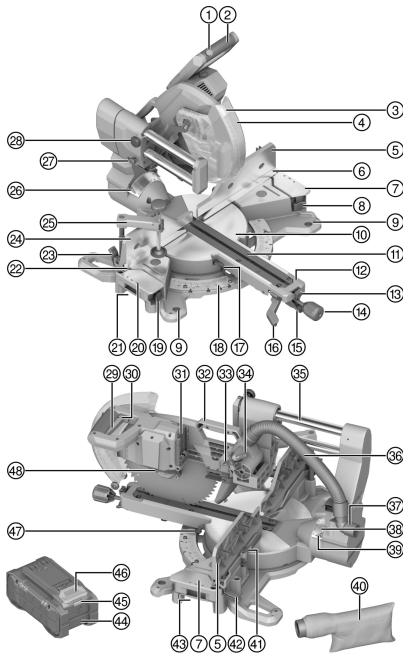


Li-Ion バッテリーの搬送、保管および使用に適用される特別の規則を遵守してください。
本取扱説明書巻末の QR コードをスキャンして、Hilti の Li-Ion バッテリーの安全と使用についての注意事項をお読みください。



3 製品の説明

3.1 製品概要



- ① スイッチオンロック
- ② グリップ
- ③ LED 切断表示
- ④ 保護カバー
- ⑤ 上部マイターストッパー (右)
- ⑥ 下部マイターストッパー (右)
- ⑦ 補助サポート (右)
- ⑧ 補助サポートのロック解除レバー (右)
- ⑨ 固定穴
- ⑩ ロータリープレート
- ⑪ スロット付きプレート
- ⑫ ロータリープレートのアーム
- ⑬ ロータリープレートロック解除レバーのロック位置
- ⑭ ロータリープレートの固定ノブ
- ⑮ ロータリープレートのロック解除レバー
- ⑯ 垂直マイター角のロック解除レバー
- ⑰ 水平マイター角のポインター (左)
- ⑱ 水平マイター角の目盛り
- ⑲ 補助サポートのロック解除レバー (左)
- ⑳ 補助サポート (左)
- ㉑ リセスグリップ (左)
- ㉒ 下部マイターストッパー (左)
- ㉓ 上部マイターストッパーのロック解除レバー (左)
- ㉔ 上部マイターストッパー (左)
- ㉕ ネジランプ
- ㉖ 垂直マイター角のポインター (左)
- ㉗ スイッチインターロック
- ㉘ 伸長部品の固定ネジ
- ㉙ ON/OFF スイッチ
- ㉚ 南京錠の穴
- ㉛ バッテリー接続部
- ㉜ 搬送グリップ
- ㉝ デプスゲージのストッパープレート
- ㉞ デプスゲージ
- ㉟ 伸長部品 / スライドバー
- ㊱ 集じん装置の接続ホース
- ㊲ 吸引ピース
- ㊳ 垂直マイター角の目盛り
- ㊴ 垂直マイター角のポインター (右)
- ㊵ ダストバッグ
- ㊶ アレンレンチ
- ㊷ 上部マイターストッパーのロック解除レバー (右)
- ㊸ リセスグリップ (右)
- ㊹ バッテリー
- ㊺ バッテリーステータス表示
- ㊻ バッテリーロック解除ボタン
- ㊼ 水平マイター角のポインター (右)
- ㊽ スピンドルロック



3.2 正しい使用

本書で説明している製品は、バッテリー式マイターソーです。本製品は、木材、木製品、プラスチック、アルミニウム成形材の切断のためのものです。本製品により、クロス切断、斜め切断、マイター切断が可能です。本製品には、一般的な吸じん装置ホース用の接続ピースが付いています。吸じん装置ホースをソーと接続するために、適切なアダプターが必要になる場合があります。

- ソーを使用する際は、必ず付属の切り屑バッグ、または適当な吸じん装置を使用してください。
- 必ず製品仕様の記載事項（直径、全負荷回転数、厚さ、材質など）に対応した、本製品用に許可されたソーブレードを使用してください。高合金高速度鋼（HSS スチール）製の研磨およびカッティングディスク、ならびにソーブレードは許可されていません。
- 本製品では決してマグネシウムを切断しないでください。
- 本製品には、必ずHilti Nuron の B 22 シリーズの Li-Ion バッテリーを使用してください。最適な出力を得るため、Hilti は本製品に対して本取扱説明書の巻末の表に記載されているバッテリーをお勧めします。
- これらのバッテリーには、必ず本取扱説明書の巻末の表に記載されているシリーズのHilti の充電器を使用してください。

3.3 本体標準セット構成

マイターソー、ソーブレード、テンションフランジ、サポートフランジ、テンションボルト、アレンレンチ、ネジクランプ、ロータリープレートの固定ノブ、取扱説明書

その他のご使用の製品用に許可されたシステム製品については、弊社営業担当またはHilti Store お問い合わせいただくか、あるいはwww.hilti.group でご確認ください。

3.4 Li-Ion バッテリーのインジケータ

Hilti Nuron Li-Ion バッテリーは、充電状態、エラーメッセージ、およびバッテリーの状態を表示することができます。

3.4.1 充電状態およびエラーメッセージの表示



警告

負傷の危険 バッテリーの落下！

- ▶ バッテリーを装着した状態でリリースボタンを押した後は、バッテリーを確実に正しく使用する製品に再ロックするようにしてください。

次の表示を確認するには、バッテリーのリリースボタンを短く押してください。

充電状態および不具合は、接続されている製品がオンになっている間常時表示されます。

状態	意味
4 個の LED (4) が常時緑色で点灯	充電状態 : 100 %...71 %
3 個の LED (3) が常時緑色で点灯	充電状態 : 70 %...51 %
2 個の LED (2) が常時緑色で点灯	充電状態 : 50 %...26 %
1 個の LED (1) が常時緑色で点灯	充電状態 : 25 %...10 %
1 個の LED (1) がゆっくり緑色で点滅	充電状態 : < 10 %
1 個の LED (1) が高速で緑色で点滅	Li-Ion バッテリーは完全に放電しています。バッテリーを充電してください。 バッテリーの充電の後にも LED が高速で点滅する場合は、Hilti サービスセンターにご連絡ください。
1 個の LED (1) が高速で黄色で点滅	Li-Ion バッテリーまたは接続されている製品が過負荷、過熱、低温の状態にあるか、あるいはその他の不具合が発生しています。 製品とバッテリーを推奨動作温度にし、使用時に製品が過負荷にならないようにしてください。 メッセージが引き続き出力される場合は、Hilti サービスセンターにご連絡ください。
1 個の LED (1) が黄色で点灯	Li-Ion バッテリーとそれと接続されている製品とに互換性がありません。Hilti サービスセンターにご連絡ください。



状態	意味
1個のLED (1) が高速で赤色で点滅	Li-Ion バッテリーはロックされていて、使用できません。 Hilti サービスセンターにご連絡ください。

3.4.2 バッテリーの状態に関する表示

バッテリーの状態を確認するには、リリースボタンを3秒を超えて押し続けてください。システムは、落下、異物の貫入、外部の熱源による損傷などの誤った使用に起因するバッテリーの機能異常については検知しません。

状態	意味
すべてのLEDがチェイサーライトとして点灯し、続いて1個のLED (1) が常時緑色で点灯。	バッテリーは引き続き使用することができます。
すべてのLEDがチェイサーライトとして点灯し、続いて1個のLED (1) が速く黄色で点滅。	バッテリーの状態確認を終了することができませんでした。手順を繰り返すか、 Hilti サービスセンターにご連絡ください。
すべてのLEDがチェイサーライトとして点灯し、続いて1個のLED (1) が常時赤色で点灯。	接続されている製品を引き続き使用できる場合、バッテリーの残り容量は50%未満です。接続されている製品を引き続き使用することができない場合、バッテリーは寿命に達していて交換の必要があります。 Hilti サービスセンターにご連絡ください。

4 製品仕様

4.1 製品特性

電源電圧	21.6 V	
定格無負荷回転数	4,300/min	
ソーブレード直径	305 mm	
メインブレード厚	0.5 mm ... 1.5 mm	
ソーブレードの取り付け穴	30 mm	
切り込み幅	3.2 mm	
最大水平マイター角	右	≤ 60°
	左	≤ 52°
最大垂直マイター角	右	≤ 48°
	左	≤ 48°
その他の寸法またはマイター角に依存しない最大切断容量	高さ	≤ 100 mm
	幅	≤ 360 mm
重量	25.6 kg (EPTA-Procedure 01 準拠、バッテリーを含まない)	
作動時の周囲温度	-17 °C ... 60 °C	
保管温度	-20 °C ... 70 °C	

4.2 バッテリー

バッテリー作動電圧	21.6 V
バッテリー重量	本取扱説明書の巻末を参照してください
作動時の周囲温度	-17 °C ... 60 °C
保管温度	-20 °C ... 40 °C
充電開始時のバッテリー温度	-10 °C ... 45 °C



4.3 騒音および振動値について (EN 62841 準拠)

本説明書に記載されているサウンドプレッシャー値および振動値は、規格に準拠した測定方法に基づいて測定したものです。電動工具を比較するのにご使用いただけます。曝露値の暫定的な予測にも適しています。記載されているデータは、電動工具の主要な使用方法に対する値です。電動工具を他の用途で使用したり、異なる先端工具を取り付けて使用したり、手入れや保守が十分でないまま使用した場合には、データが異なることがあります。このような相違により、作業時間全体で曝露値が著しく高くなる可能性があります。曝露値を正確に予測するためには、本体のスイッチをオフにしている時間や、本体が作動していても実際には使用していない時間も考慮しなければなりません。このような相違により、作業時間全体で曝露値が著しく低くなる可能性があります。

作業者を騒音および / または振動による作用から保護するために、他にも安全対策を立ててください (例 : 電動工具および先端工具の手入れや保守、手を冷やさないようにする、作業手順の編成)。

騒音について

サウンドパワーレベル (L_{WA})	101 dB(A)
サウンドプレッシャーレベル (L_{pA})	90 dB(A)
不確実性 (L_{WA} および L_{pA})	3 dB(A)

合計振動値

排出振動値	B 22-55	$\leq 2.5 \text{ m/s}^2$
	B 22-255	$\leq 2.5 \text{ m/s}^2$
不確実性		1.5 m/s^2

4.4 最大切断容量

下表の高さおよび幅の寸法は、互いに依存しています。可能な最大高さおよび最大幅の値は、製品特性 → 頁 265 の章に記載されています。

水平ミイター角	垂直ミイター角	高さ x 幅
0°	0°	100 mm x 355 mm
	22.5° 右	72 mm x 355 mm
	22.5° 左	90 mm x 355 mm
	30° 右	60 mm x 355 mm
	30° 左	78 mm x 355 mm
	45° 右	40 mm x 355 mm
	45° 左	65 mm x 340 mm
	48° 右	30 mm x 355 mm
	48° 左	50 mm x 355 mm
45° 右 45° 左	0°	100 mm x 250 mm
	45° 右 45° 左	40 mm x 250 mm 62 mm x 250 mm
52° 左	0°	100 mm x 200 mm
	45° 右	40 mm x 220 mm
	45° 左	62 mm x 220 mm
60° 右	0°	100 mm x 176 mm
	45° 右	40 mm x 178 mm
	45° 左	30 mm x 190 mm

5 作業準備



警告

負傷の危険 意図しない始動!

- ▶ バッテリーを装着する前に、バッテリーを装着する製品のスイッチがオフになっていることを確認してください。
- ▶ 本体の設定、またはアクセサリーの交換の前にバッテリーを取り外してください。



本書および製品に記載されている安全上の注意と警告表示に注意してください。

5.1 固定ノブを取り付ける

ロータリープレートの固定ノブは、取り付けられていない状態で納品されます。ソーを使用する前に、この固定ノブを取り付ける必要があります。

- ▶ 固定ノブをロータリープレートのアームにねじ込みます。

5.2 バッテリーを充電する

1. 充電の前に充電器の取扱説明書をお読みください。
2. バッテリーと充電器の電気接点は汚れがなく、乾燥していることを確認してください。
3. バッテリーは許可された充電器で充電してください。→ 頁 264

5.3 バッテリーを装着する

警告

負傷の危険 短絡あるいはバッテリーの落下！

- ▶ バッテリーを装着する前に、バッテリーの電気接点と製品の電気接点に異物がないことを確認してください。
- ▶ バッテリーが正しくロックされていることを常に確認してください。

1. はじめてお使いになる前にバッテリーをフル充電してください。
2. ロックの音が聞こえるまでバッテリーを製品へとスライドさせます。
3. バッテリーがしっかりと装着されていることを確認してください。

5.4 バッテリーを取り外す

1. バッテリーのリリースボタンを押します。
2. 製品からバッテリーを抜き取ります。

5.5 製品を取り付ける

本製品は、平坦で安定した面に固定する必要があります。

1. 本製品を平坦で安定した面に設置してください。
2. 固定穴によって本製品を作業面にネジで固定します。適切なネジを使用してください。
3. または、市販のネジクランプを使って装置ベースを作業面にしっかりと固定します。



Hilti はアンダーフレームもオプションで提供しており、その上に本製品を取り付け、持ち運んで使用することができます。

5.6 作業位置にする

1. ソーヘッドを僅かに押し下げ、スイッチインターロックを引き抜きます。
2. ソーヘッドをコントロールしながら上に動かします。

5.7 集じん装置

5.7.1 ダストバッグを取り付ける

ダストバッグは大部分の粉じんを集めることができるので、清潔な作業が可能になります。

- ▶ ダストバッグを吸引ピースに差し込みます。

5.7.2 吸じん装置を接続する

吸じん装置は、加工する材質に適合している必要があります。健康を損なう危険のある粉じん、発がん性のある粉じん、または乾燥している粉じんを吸引する場合は、適切な専用吸引機を使用してください。

- ▶ サクションホースを吸引ピースに差し込みます。

5.8 ソーブレードを取り付ける

取り付けるソーブレードが技術的な要求を満たし、よく切れることを確認してください。鋭いソーブレードは正常な切断の前提条件です。



1. サポートフランジとテンションフランジを清掃します。
2. サポートフランジを正しい方向で駆動スピンドル(1)に取り付けます。
3. 振動防止カバーを開きます(2)。
4. 新しいソーブレードを取り付けます。



ソーブレードおよび製品に表示されている回転方向矢印(3)に注意してください。両方の矢印が一致していなければなりません。

5. 外側のテンションフランジを正しい方向に取り付けます(4)。
6. テンションボルトをねじ込みます。
7. ソーブレードのテンションボルトにアレンレンチを取り付けます。
8. スピンドルロックを押し、押した状態を維持します(5)。
9. アレンレンチでテンションボルトを締め付けます(6)。
10. ソーブレードが正しい位置にあるか点検してください。
11. ソーブレードがスムーズに動くかを点検します。設定(水平または垂直、あるいはその両方のマイター角)の際、ソーブレードをソーの他のパーツと接触させなでください。
12. アレンレンチを専用の支持部に差し込みます。

5.9 ソーブレードを取り外す

警告

ソーブレード、テンションボルトおよびテンションフランジでの火傷および切断の危険 火傷および切創事故の原因となることがあります。

- ▶ 先端工具の交換時には、保護手袋を着用してください。

1. スピンドルロックを押し、押した状態を維持します(1)。
2. アレンキーを使用してテンションボルトを緩めます(2)。
3. テンションボルトとテンションフランジを取り外します(3)。
4. 振動防止カバーを開き(4)、ソーブレードを取り外します(5)。



必要に応じて清掃のためにサポートフランジを取り外すことができます。

6 ご使用方法

本書および製品に記載されている安全上の注意と警告表示に注意してください。

6.1 伸長部品をロックする / 緩める

伸長部品は、任意の箇所でもロックすることができます。

1. 伸長部品をロックするには、固定ネジ(1)を時計方向に回します。
 - ▶ 固定ネジがスライドバーを締め付け、スライド運動を阻止します。
2. 伸長部品を緩めるには、固定ネジ(1)を反時計方向に回します。

6.2 切り込み深さをデプスゲージで調整する

デプスゲージは、たとえばたとえば溝を切断する場合に使用します。

1. デプスゲージのストッパープレートを動かし(1)、ソーヘッドを下ろす際にデプスゲージが開口部を通過しないようにします。
2. 希望の切り込み深さをローレット付きネジ(2)で設定します。
3. 切り込み深さを制限したくない場合は、ストッパープレートを動かし(1)、ソーヘッドを下ろす際にデプスゲージが開口部を通過するようにします。

6.3 ソーテーブルを延長する

警告

長い作業材料による負傷の危険。長い作業材料は、切断中に制御不能の状態へ傾き、保護カバーを持ち上げ、ソーブレードを噛ませ、反動を発生させることがあります。

- ▶ 長い作業材料は、追加の木挽き台または同等の下部構造で支持してください。



ソーテーブルの接触面は、補助サポートを使って左または右、あるいはその両方に延長することができます。

1. 補助サポートのロック解除レバーを開きます**(1)**。
2. 補助サポートを引き出します**(2)**。
3. 補助サポートのロック解除レバーをロックします**(1)**。
4. 必要に応じて、反対側の補助サポートについてもこれらの手順を繰り返します。

6.4 上部マイターストッパーを設定する

水平または垂直、あるいはその両方のマイター角の設定に応じて、上部マイターストッパーを外へ引き出すか、または完全に取り外す必要があります。

1. 左または右の上部マイターストッパーのロック解除レバー**(1)**を開きます。
2. 上部マイターストッパー**(2)**を必要なだけ外へ引き出すか、またはマイターストッパーを取り外します。
3. ロック解除レバー**(1)**を閉じます。
 - ▶ 直線切断を行う場合は、上部マイターストッパーを最も内側の位置に取り付けます。
4. 上部マイターストッパーを取り外した場合、切断作業中にこのストッパーを安全に保管するため、補助サポートのスライドバーに固定することもできます。

6.5 水平マイター角の設定

警告

ロックされていないロータリープレートによる負傷の危険。ロックされていないロータリープレートは、切断中にねじれて、作業材料を傾け、反動が発生させることがあります。

- ▶ 切断を行う前に、必ずロータリープレートの固定ノブを締め付けてください。

条件: 標準マイター角

使用頻度の高い水平マイター角を迅速かつ精密に設定するため、水平マイター角の目盛りにはノッチがあります。このノッチにロータリープレートをロックすることができます。

水平マイター角のロック位置

左	中間	右
45°、31.6°、22.5°、15°	0°	15°、22.5°、31.6°、45°、60°

- ▶ 必要に応じて、ロータリープレートの固定ノブを緩めます**(2)**。
- ▶ ロータリープレートのロック解除レバーを引き上げて保持し**(1)**、希望する水平マイター角の直前までロータリープレートを回します**(3)**。
- ▶ ロータリープレートのロック解除レバーから手を放し、ロータリープレートをさらに希望する水平マイター角まで回し、ロックにかみ合わせます。
- ▶ ロータリープレートの固定ノブを締め付けます**(2)**。

条件: 任意の水平マイター角

標準マイター角以外にも、水平マイター角を自由に任意の角度に設定することができます。

- ▶ 必要に応じて、ロータリープレートの固定ノブを緩めます**(2)**。
- ▶ ロータリープレートのロック解除レバーを引き上げ**(1)**、ロックします**(4)**。
- ▶ ロータリープレートを希望する水平マイター角に設定します**(3)**。
- ▶ ロータリープレートの固定ノブを締め付けます**(2)**。

6.6 垂直マイター角の設定

警告

ロックされていない傾斜による負傷の危険。垂直マイター角の設定がロックされていないと、切断中にソーヘッドが傾き、反動が発生することがあります。

- ▶ 設定が終了したら、必ず垂直マイター角のロック解除レバーを完全に押し下げ、傾斜をロックします。



⚠ 注意

上部マイターストッパーによる負傷の危険。垂直マイター角が設定されている場合、ソーブレードが上部マイターストッパーに衝突し、損傷および反動の原因となることがあります。

- ▶ 垂直マイター角を設定したら、毎回、ソーブレードがスムーズに動くことを点検し、上部マイターストッパーを必要だけ外側へずらしてください。

頻繁に使用される垂直マイター角度を迅速かつ正確に調整するために、ソーヘッドをいくつかの位置でロックできます。

垂直マイター角のロック位置

左	中間	右
45°、33.9°、22.5°	0°	22.5°、33.9°、45°

- ▶ 垂直マイター設定のロック解除レバーを引き上げ、緩めます(2)。
- ▶ 垂直マイター設定のロック解除レバーを完全に引き上げ、ソーヘッドが自由に動くようにします(3)。
- ▶ ロック解除レバーから手を放し、ロックがかみ合うまでソーヘッドを傾けます。
 - ▶ ソーヘッドは、上記のすべての位置にロックすることができます。
- ▶ 続いて、ロック解除レバーを完全に押し下げ(1)、ソーヘッドを設定した位置にロックします。
- ▶ 任意の垂直マイター角を設定したい場合は、希望する垂直マイター角に達するまで垂直マイター設定のロック解除レバーを最も高い位置で保持します(3)。
- ▶ 続いて、ロック解除レバーを完全に押し下げ(1)、ソーヘッドを設定した位置にロックします。
- ▶ 上部マイターストッパーを調整して、ソーブレードと衝突ないようにします。→ 頁 269

6.7 切断ライン表示を有効にする

ソーには切断ライン表示が装備されています。ソーヘッドのLEDが作業領域を照らし、ソーブレードによって影を作ること、切断ラインが精密に表示されます。

1. スイッチオンロックを押さずに、ON/OFFスイッチを起動させます。
 - ▶ LEDが点灯します。
2. ソーヘッドを下へ動かします。
 - ▶ ソーブレードの影が作業材料上に現われ、切断ラインを表示します。
3. 必要に応じて、作業材料や、水平または垂直、あるいはその両方のマイター角の設定を切断ラインに合わせて調整します。

6.8 作業材料を位置決めして固定する 12, 13, 14

⚠ 警告

反りのある木材による負傷の危険。反りまたは湾曲、あるいはその両方がある作業材料により、ソーブレードが傾き、反動が発生することがあります。

- ▶ 反りや湾曲のある作業材料は、必ず、外側へ湾曲している側をマイターストッパーに当てて配置するようにしてください。作業材料とマイターストッパーとの間に空隙ができないように、作業材料を配置します。

⚠ 警告

作業材料の誤った配置による負傷の危険。誤って配置された作業材料により、ソーブレードが傾き、反動が発生することがあります。

- ▶ 作業材料は、常にできるだけ広い接触面でロータリープレート、サポート、マイターストッパーと接触するように配置してください。

⚠ 警告

固定されていない作業材料による負傷の危険。作業材料が問題なくマイターストッパーに固定されていないと、作業材料が切断作業中にずれ、ソーブレードの損傷を引き起こし、作業材料が飛び出したり、コントロールが失われた状態になる可能性があります。

- ▶ あらゆる作業において、作業材料は、ネジクランプでしっかりとロータリープレートとマイターストッパーに固定する必要があります。



警告

ソーのパーツとネジクランプの接触による負傷の危険！ ソーブレードは、ネジクランプと接触すると損傷するおそれがあります。安全装置がネジクランプによって妨げられ、機能が制限される可能性があります。ネジクランプがソーヘッドの動きを制限することにより、反動が発生することがあります。

- ▶ ソーのスイッチをオフにした状態で、予想される動きを試験してください。ソーのパーツがネジクランプと接触しないことを確認します。
- ▶ 必要に応じて、ネジクランプをソーの別の場所に移動させてください。

- ▶ ネジクランプのリリースボタンを押し(2)、ネジ付きロッドをストップ位置まで引き上げます。
- ▶ ネジクランプを所定の開口部に挿入します(1)。
- ▶ 作業材料を下部マイターストップにしっかりと押し付けます。
- ▶ ネジクランプのリリースボタンを押すと、ネジ付きロッドを迅速に作業材料に合わせることができず(2)。
- ▶ ネジクランプをネジ付きロッドの位置とは反対に、後方へ傾けます(3)。続いて、ネジ付きロッドを時計方向に回してしっかりと締め付け、作業材料を固定します(4)。
 - ▶ 作業材料を取り外すには、ネジ付きロッドを反時計方向に回します。続いて、ネジクランプのリリースボタンを押し、ネジ付きロッドをストップ位置まで引き上げます。

6.9 回転数を調整する

- ▶ 調整つまみで希望する回転数を調整します。

6.10 オンにする / オフにする

警告

反動による 負傷の危険。

- ▶ ソーのスイッチは、必ずソーブレードが作業材料に接触していない状態でオンにしてください。

警告

反動による 負傷の危険。

- ▶ スイッチオフの後、ソーブレードが静止するまで、ソーヘッドを下方位置にしておきます。

1. スイッチオンロックを押しそのまま保持します。
2. ON/OFF スイッチを押し続けます。
 - ▶ ソーが作動します。
3. ソーのスイッチをオフにするには、ON/OFF スイッチから手を放します。

6.11 切断

警告

手や腕の位置が正しくないことによる負傷の危険。位置を間違えると、回転中のソーブレードが手や腕に当たり、重傷を負うことがあります。

- ▶ 切断作業中は、決して腕を交差しないでください。切断ラインに腕や手を交差させないでください。
- ▶ 腕および手は、上図に示したソーブレードの左右の危険領域の外にあるようにしてください。

マイターソーで作業をする際には、姿勢と手の位置を正しく保つことにより、切断がより簡単に、正確に、安全になります。

両足を床にしっかりと付け、バランスを保ちます。マイターアームを左右へ動かす際は、アームの動きに従い、ソーブレードの少し脇に立ってください。

ソーブレードから左へ 230 mm (9 インチ)、右へ 270 mm (10.4 インチ) の危険領域には何もないようにしてください。手、腕、その他の身体部分はこの危険領域から遠ざけてください。

ON/OFF スイッチから手を放し、ソーブレードが完全に静止するまで、手を所定位置に保持します。



切断を実行するためにソーヘッドをゆっくりと、コントロールしながら押し下げます。過度な圧力や、切断ラインに対して側面からの力が加わると、ソーブレードが振動することがあります。これにより、追加の切断跡が作業材料に生じ、切断精度を悪化させる可能性があります。



6.11.1 押し動作なしの切断

警告

ロックされていない伸長部品による負傷の危険。ロックされていない伸長部品は、ソーヘッドの予期しないスライド運動を引き起こし、反動を発生させることがあります。

▶ マイター切断を行う際は、必ず伸長部品をロックしてください。


1. ソーヘッドをストップ位置まで後方へ動かします（自分から遠ざかる方へ）。
2. 伸長部品をロックします。→ 頁 268
3. デブスゲージのストッパープレートを、ソーヘッドを下ろす際にデブスゲージが開口部を通過するように設定します。→ 頁 268
4. ソーのすべての設定（角度、マイターストッパー、接触面）を、実行する切断の要件に合わせて調整してください。
5. 作業材料を固定します。→ 頁 270
6. ソーのスイッチをオンにします。→ 頁 271
7. ソーヘッドをゆっくりと下ろし、作業材料を均等な送りで切断します。
8. ソーのスイッチをオフにし、ソーブレードが静止するまで待ちます。
9. ソーヘッドを上方位置に戻します。

6.11.2 押し動作による切断

警告

ソーヘッドの正しくない動作による反動。押し動作による切断でのソーヘッドの正しくない動きにより、反動が発生することがあります。

- ▶ 切断する前に必ず最初にソーヘッドを完全に引き出し、ソーヘッドを下げてから、マイターストッパーの方向にソーヘッドを押ししてください。
- ▶ ソーブレードがすでに作業材料内に入っている場合は、決してソーヘッドを手前に引き寄せないでください。

 押し動作による切断では、ソーヘッドをゆっくりと、停止させることなくマイターストッパーまで押ししてください。切断中に押し動作を中断すると、ソーブレードが作業材料に痕跡を残してしまうため、切断精度が損なわれます。

1. 必要に応じて、伸長部品を取り外します。→ 頁 268
2. デブスゲージのストッパープレートを、ソーヘッドを下ろす際にデブスゲージが開口部を通過するように設定します。→ 頁 268
3. ソーのすべての設定（角度、マイターストッパー、接触面）を、実行する切断の要件に合わせて調整してください。
4. 作業材料を固定します。→ 頁 270
5. ソーヘッドを完全に手前に引き寄せます。
6. ソーのスイッチをオンにします。→ 頁 271
7. ソーヘッドをゆっくりと下へ動かします。
8. ソーヘッドを最も低い位置で保持し、ゆっくりと後方へ動かします（自分から離れるように）。均等な送りで作業材料を切断します。
9. ソーのスイッチをオフにし、ソーブレードが静止するまで待ちます。
10. ソーヘッドを上方位置に戻します。

6.11.3 溝を切断する

1. デブスゲージを希望の切り込み深さに設定します。→ 頁 268
2. 押し動作で切断を行います。→ 頁 272

6.11.4 成形材の切断

警告

作業材料の誤った固定による負傷の危険。誤って固定された作業材料により、ソーブレードが傾き、反動が発生することがあります。

- ▶ 成形材をマイターストッパーに当ててセットする際、成形材がずれないように十分に固定されていることを確認してください。→ 頁 270



成形材は、次の2種類の方法で切断できます。

- マイターストッパーに立てた状態
- 切断テーブルに平らに寝かせた状態
- ▶ 成形材の幅に応じて、押し動作付きまたは押し動作なしで切断を実行します。
- ▶ 最初に、設定した水平マイター角、または垂直マイター角、またはその両方を廃材でテストします。

7 手入れと保守

警告

バッテリーを装着した状態における負傷の危険！

- ▶ 手入れや保守作業の前に必ずバッテリーを取り外してください！

製品の手入れ

- 付着した汚れを慎重に除去してください。
- 通気溝を乾いた柔らかいブラシを使用して慎重に掃除してください。
- 必ず少し湿した布でハウジングを拭いてください。シリコンを含んだ磨き粉はプラスチック部品をいためる可能性があるため使用しないでください。
- 本製品の電気接点を清掃するには、清潔な乾いた布を使用してください。
- 伸長部品および補助サポートのスライドバーを定期的に清掃してください。清掃後は、必ず、数滴のオイルをすべてのスライドバーに塗布します。
- 上部マイターストッパーの接触面を定期的に清掃してください。必要に応じて、接触面にグリスを塗布します。

Li-Ion バッテリーの手入れ

- 通気溝が詰まっているバッテリーは決して使用しないでください。通気溝を乾いた柔らかいブラシを使用して慎重に掃除してください。
- バッテリーを不必要に粉じんや汚れに曝さないようにしてください。バッテリーは、決して高い温度に曝さないでください（例：水中に沈める、あるいは雨中に放置する）。水分が浸入したバッテリーは、損傷したもものとして取り扱ってください。そのようなバッテリーは不燃性の容器に隔離し、Hilti サービスセンターにご連絡ください。
- バッテリーには、本製品に使用しているのではないオイルやグリスが付着しないようにしてください。バッテリーに不必要な粉じんあるいは汚れが堆積しないようにしてください。バッテリーは、乾いた柔らかいブラシまたは乾いた布で清掃してください。シリコンを含んだ磨き粉はプラスチック部品をいためる可能性があるため使用しないでください。
バッテリーの電気接点に手を触れないでください、また、工場出荷時に塗布されているグリスを電気接点からぬぐい取らないでください。
- 必ず少し湿した布でハウジングを拭いてください。シリコンを含んだ磨き粉はプラスチック部品をいためる可能性があるため使用しないでください。

保守

- 目視確認可能なすべての部品については損傷の有無を、操作エレメントについては問題なく機能することを定期的に点検してください。
- 損傷および/または機能に問題のある場合は、本製品を使用しないでください。速やかにHilti サービスセンターに本製品の修理を依頼してください。
- 手入れおよび保守作業の後は、すべての安全機構を取り付けて、それらが問題なく作動するか点検してください。



安全な作動のために、必ず純正のスペアパーツと消耗品を使用してください。本製品向けにHilti が承認したスペアパーツ、消耗品およびアクセサリは、弊社営業担当またはHilti Store お問い合わせいただくか、あるいはwww.hilti.group

7.1 安全機構の清掃

1. ソーブレードを取り外します。→ 頁 268
2. 安全機構を乾いたブラシを使用して注意深く掃除してください。
3. 安全機構内部の塵埃の堆積や切り屑は適切な工具を使用して除去してください。
4. ソーブレードを取り付けます。→ 頁 267



7.2 集じんアダプターおよび接続ホースを清掃する **17**

1. 吸じん装置のダストバッグ、または接続されているサクシジョンホースを取り外します。
2. ソーヘッドに取り付けられている接続ホースの固定用ネジを外します(1)。
3. 接続ホースを、ソーヘッド(2)と集じんアダプターから引き抜きます。
4. 接続ホースを空にして、乾いたブラシで接続ホースを清掃します。
5. ソーヘッドの切り屑ダクトと集じんアダプターを乾いたブラシで清掃します。
6. 接続ホースを再び集じんアダプターとソーヘッドに差し込みます。
7. ソーヘッドに取り付けられている接続ホースの固定用ネジをしっかり締め付けます。
8. ダストバッグを取り付けるか、または吸じん装置を再び接続します。→ 頁 267

7.3 ダストバッグを空にする **18**

1. ダストバッグを吸じんアダプターから抜きます。
2. ダストバッグのファスナーを開け、中身を適切に廃棄します。
3. ダストバッグのファスナーを閉めます。
4. ダストバッグを集じんアダプターに再び取り付けます。→ 頁 267

7.4 設定および表示のチェックと調整

マイターソーは、工場出荷時に慎重に設定および調整されています。しかしながら、集中的に使用したり、乱暴に取り扱った後は、ソーの設定および表示を点検し、場合により調整する必要があります。

ソーを点検して調整するには、経験と特殊工具が必要です。

Hilti は、ソーの調整は必ずHilti サービスに依頼することをお勧めします。



すべての点検および設定作業の際には、角度ゲージが鋸歯先端に触れないようにしてください。接触すると、測定が正しくなくなることがあります。角度ゲージは、必ずメインブレードと一致していなければなりません。

7.4.1 垂直マイター角を点検する

1. ソーヘッドをストップ位置まで後方へ動かします (自分から遠ざかる方へ)。
2. デプスゲージのストッパープレートを、ソーヘッドを下ろす際にデプスゲージが開口部を通過するように設定します。→ 頁 268
3. 水平マイター角を 0° に設定します。
4. ソーヘッドを押し下げ、スイッチインターロックを押し込み、ソーヘッドをロックします。
5. 垂直マイター角を 0° に設定します。
6. 角度ゲージを 90° に設定します。
7. 角度ゲージをソーテーブル上に垂直に、面に置きます。
8. 角度ゲージをソーブレードへと動かします。
 - ▶ 角度ゲージは、ライン全体にわたりソーブレードと面に揃っていないとなりません。
9. 垂直マイター角を 45° (右) に設定します。
10. 角度ゲージを 45° に設定します (または左側から測定する場合は 135°)。
11. 角度ゲージをソーテーブル上に垂直に、面に置きます。
12. 角度ゲージをソーブレードへと動かします。
 - ▶ 角度ゲージは、ライン全体にわたりソーブレードと面に揃っていないとなりません。
13. 垂直マイター角 45° (左) について、これらのステップを繰り返します。

結果 1/2

角度ゲージは、3 回すべての測定において、ライン全体にわたってソーブレードと面に揃っている。

- ▶ ソーは正しく調整されています。

結果 2/2

角度ゲージとソーブレードは、1 回または複数の測定で面に揃っていない。

- ▶ Hilti サービスセンターにご連絡ください。

7.4.2 垂直マイター角のポインターを調整する **19**

1. 垂直マイター角の精度を点検します。→ 頁 274
2. 垂直マイター角を 0° に設定します。
3. 垂直マイター角のポインターの固定用ネジを緩め、ポインターを正確に 0° の表示にセットします。
4. 固定用ネジを再び手で締め付けます。このとき、ポインターを正確に 0° の表示に合わせてください。



5. 必要に応じて、垂直マイター角の2番目のポインターについてもこの手順を繰り返してください。
6. 実際の垂直マイター角と、角度45°(右)および45°(左)の両方のポインターが一致しているか点検します。
 - ▶ 点検の際、1つまたは複数の箇所ではポインターが実際の角度と一致しておらず、十分に調整できない場合は、**Hilti** サービスにご連絡ください。

7.4.3 水平マイター角を点検する

1. ソーヘッドをストップ位置まで後方へ動かします(自分から遠ざかる方へ)。
2. デブスゲージのストッパープレートを、ソーヘッドを下ろす際にデブスゲージが開口部を通過するように設定します。→ 頁 268
3. 垂直マイター角を0°に設定します。
4. ソーヘッドを押し下げ、スイッチインターロックを押し込み、ソーヘッドをロックします。
5. 水平マイター角を0°に設定します。
6. 角度ゲージを90°に設定します。
7. 角度ゲージをソーテーブルの上に平坦に置き、マイターストップと面一に揃えます。
8. 角度ゲージをソーブレードへと動かします。
 - ▶ 角度ゲージは、ライン全体にわたりソーブレードと面一に揃っていないとなりません。
9. 水平マイター角を45°(右)に設定します。
10. 角度ゲージを45°に設定します(または左側から測定する場合は135°)。
11. 角度ゲージをソーテーブルの上に平坦に置き、マイターストップと面一に揃えます。
12. 角度ゲージをソーブレードへと動かします。
 - ▶ 角度ゲージは、ライン全体にわたりソーブレードと面一に揃っていないとなりません。
13. 水平マイター角45°(左)についても、これらの手順を繰り返します。

結果 1/2

角度ゲージは、3回すべての測定において、ライン全体にわたってソーブレードと面一に揃っている。
▶ ソーは正しく調整されています。

結果 2/2

角度ゲージとソーブレードは、1回または複数の測定で面一に揃っていない。
▶ 水平マイター角を調整するか、**Hilti** サービスにご連絡ください。→ 頁 275

7.4.4 水平マイター角と目盛りを調整する **20**

1. ロータリープレートを0°位置にロックします。
2. ロータリープレートの固定ノブを緩めます。
3. 水平マイター角の目盛りの4本の固定用ネジを緩めます。
4. 角度ゲージを90°に設定します。
5. 角度ゲージをソーテーブルの上に平坦に置き、マイターストップと面一に揃えます。
6. 角度ゲージをソーブレードへと動かします。角度ゲージを使って、水平マイター角の目盛りを含めロータリープレートを調整します。
 - ▶ 角度ゲージは、ライン全体にわたりソーブレードと面一に揃っていないとなりません。
7. ロータリープレートの固定ノブをしっかりと締め付け、ロータリープレートが動くのを防ぎます。
8. 水平マイター角の目盛りの4本の固定用ネジをしっかりと締め付けます。
9. 水平マイター角を45°(右)および45°(左)で点検します。→ 頁 275

結果 1/2

角度ゲージは、水平マイター角45°(右)および45°(左)でライン全体にわたってソーブレードと面一に揃っている。

▶ ソーは正しく調整されています。

結果 2/2

角度ゲージとソーブレードは、1回または複数の測定で面一に揃っていない。

▶ **Hilti** サービスセンターにご連絡ください。

7.4.5 水平マイター角のポインターを調整する **21**

1. 水平マイター角の精度を点検します。→ 頁 275
2. 必要に応じて、水平マイター角を調整します。→ 頁 275
3. 水平マイター角を0°に設定します。
4. 水平マイター角のポインターの固定用ネジを緩め、ポインターを正確に0°の表示にセットします。
5. 固定用ネジを再び手で締め付けます。このとき、ポインターを正確に0°の表示に合わせてください。
6. 必要に応じて、水平マイター角の2番目のポインターでもこの手順を繰り返します。



7. 実際の水平マイター角と、角度 45° (右) および 45° (左) の両方のポインターが一致しているか点検します。
- ▶ 点検の際、1 つまたは複数の箇所ではポインターが実際の角度と一致しておらず、十分に調整できない場合は、Hilti サービスにご連絡ください。

7.5 粉じん受けを交換する 22

警告

デフレクターの間違った取り付けによる負傷の危険。デフレクターの取り付け方向を間違えると、ソーブレードが挟まれる可能性があります。デフレクターまたはソーブレードが破損して、それらの部品が飛び出すことがあります。

- ▶ デフレクターを取り付ける際には、取り付け方向が正しいことを確認してください。パネ荷重のかかっているデフレクターの部品は、ソーブレードから離れる方を向いていなければなりません。

1. 一方の側の固定用ネジ(1)を緩め、デフレクター(3)を取り外します。
2. 反対側の固定用ネジを緩め、2 番目のデフレクターと粉じん受け(2)を取り外します。
3. 新しい粉じん受け(2)とデフレクター(3)をはめ込みます。
 - ▶ デフレクターの位置が正しいことを確認してください。
4. 両方の部品を固定用ネジで締め付けます。
5. 反対側で 2 番目のデフレクターと粉じん受けを締め付けます。
 - ▶ デフレクターの位置が正しいことを確認してください。
 - ▶ 粉じん受けと両方のデフレクターがしっかりと固定されていることを確認してください。

7.6 スロット付きプレートを交換する 23

スロット付きプレートは、工場出荷時にソーブレードに接触しないように設定されています。しかしながら、スロット付きプレートにはある程度の摩耗が発生します。Hilti は、スロット付きプレートを修理部品として提供しています。スロット付きプレートは、簡単に交換することができます。

1. スロット付きプレートの固定用ネジをすべて開き、摩耗したスロット付きプレートを処分します。
2. 新しいスロット付きプレートを取り付けます。
3. 固定用ネジを緩く締め、スロット付きプレートがまだ動くようにしておきます。
4. スロット付きプレートの位置を調整し、ソーブレードとスロット付きプレートが接触しないようにします。
 - ▶ 特に、最大垂直マイター角 (左右) を点検してください。
 - ▶ その他のすべての水平および垂直マイター角も点検します。
5. 設定後、すべての固定用ネジを手で締め付けます。

8 バッテリー式工具およびバッテリーの搬送および保管 24, 25

マイターソーの搬送

ソーを搬送する前に、以下の手順を行ってください：

- ▶ ソーヘッドをストップ位置まで後方へ動かします (自分から遠ざかる方へ)。
- ▶ 伸長部品をロックします。→ 頁 268
- ▶ デブスゲージのストッパープレートを、ソーヘッドを下る際にデブスゲージが開口部を通過するように設定します。→ 頁 268
- ▶ 垂直マイター角を 0° に設定します。
- ▶ ソーヘッドを押し下げ、スイッチインターロックを押し込み、ソーヘッドをロックします。
- ▶ 必要に応じて、補助サポートを内側へ完全に押し込みます。→ 頁 268
- ▶ 水平マイター角をストップ位置まで右に (60°) セットし、ロータリープレートをロックします。
- ▶ ソーに固定できないすべてのアクセサリ (ネジクランプなど) を取り除きます。
- ▶ 必要に応じて、固定ノブを取り外し、それを上部マイターストップの背面にあるホルダーに取り付けます。

ソーは必ず所定の位置を持って運んでください。

- 補助サポート下部のリセスグリップ(1)
- 集じん装置の隣の背面領域のリセスグリップ(2)
- ソーヘッドのグリップ(3)



バッテリーの搬送

注意

搬送時の予期しない始動！

- ▶ お使いの製品は、必ずバッテリーを装着していない状態で搬送してください！
- ▶ バッテリーを取り外してください。
- ▶ バッテリーは決して梱包しない状態で搬送しないでください。搬送中のバッテリーは、他のバッテリー電極と接触して短絡の原因となることを防ぐために、過大な衝撃や振動から保護し、あらゆる導電性の物体あるいは他のバッテリーから隔離する必要があります。バッテリーの搬送に関する各国（地域）の規則を遵守してください。
- ▶ バッテリーは郵送しないでください。損傷していないバッテリーを送付する場合は、運送業者を手配してください。
- ▶ 使用の前にその都度、また長距離の搬送の前後には、製品とバッテリーに損傷がないか点検してください。

保管上の注意事項

警告

故障したあるいは液漏れしたバッテリーによる予期しない損傷！

- ▶ お使いの製品は、必ずバッテリーを装着していない状態で保管してください！
- ▶ 製品とバッテリーは涼しくて乾燥した場所に保管してください。製品仕様に記載されている温度の限界値に注意してください。
- ▶ バッテリーは充電器内で保管しないでください。充電の後は、必ずバッテリーを充電器から取り出してください。
- ▶ バッテリーを太陽の直射下、熱源の上、窓際等で保管しないでください。
- ▶ 製品およびバッテリーは、子供や権限のない人が手を触れることのないようにして保管してください。
- ▶ 使用の前にその都度、また長期にわたる保管の前後には、製品とバッテリーに損傷がないか点検してください。

9 故障時のヒント

いかなる不具合の発生時にも、バッテリーのステータス表示を確認してください。Li-Ion バッテリーのインジケータの章を参照してください。

この表に記載されていない、あるいはご自身で解消することのできない故障が発生した場合には、弊社営業担当またはHilti サービスセンターにご連絡ください。


故障	考えられる原因	解決策
回転数が突然落ちる。	バッテリーが放電している。	▶ バッテリーを充電します。
	フィード力が過大。	▶ フィード力を低減し、製品を再びオンにします。
ソーブレードが停止したまま動かない。	フィード力が過大。	▶ フィード力を低減し、製品を再びオンにします。
モーターの制動機能なし。	バッテリーが放電している。	▶ バッテリーを充電します。
切り込み角度が不正確。	角度精度、目盛りまたはポインターの位置がずれている。	▶ 設定および表示を点検し、調整してください。→ 頁 274 ▶ 設定をご自身で調整できなかったり、ソーの精度が大きく逸脱している場合は、Hilti サービスにご連絡ください。
バッテリーの LED に何も表示されない	バッテリーの故障	▶ Hilti サービスセンターにご連絡ください。



⚠ 警告

誤った廃棄による負傷の危険！ 漏出するガスあるいはバッテリー液により健康を損なう危険があります。

- ▶ 損傷したバッテリーを送付しないでください！
- ▶ 短絡を防止するために接続部を非導電性のもので覆ってください。
- ▶ バッテリーは子供が手を触れることのないように廃棄してください。
- ▶ バッテリーの廃棄は、最寄りのHilti Storeあるいは適切な廃棄物処理業者に依頼してください。

 Hilti 製品の大部分の部品はリサイクル可能です。リサイクル前にそれぞれの部品は分別して回収されなければなりません。多くの国でHiltiは、古い工具をリサイクルのために回収しています。詳細については弊社営業担当またはHilti 代理店・販売店にお尋ねください。



- ▶ 電動工具、電子機器およびバッテリーを一般ゴミとして廃棄してはなりません！

11 メーカー保証

- ▶ 保証条件に関するご質問は、最寄りのHilti 代理店・販売店までお問い合わせください。


12 その他の情報

ご使用方法、技術、環境保護およびリサイクルに関するその他の情報については、qr.hilti.com/manual/?id=2395172&id=2395174 のリンクをご確認ください。このリンクは、取扱説明書の巻末にも QR コードとして記載されています。

오리지널 사용 설명서

1 사용 설명서 관련 정보

1.1 본 사용 설명서에 관하여

- 경고! 제품을 사용하기 전에, 제품과 함께 제공되는 사용 설명서와 설명서에 제시된 지침, 안전상의 주의사항 및 경고사항, 그림 및 사양 등을 잘 읽고 이해해야 합니다. 특히 모든 지침, 안전상의 주의사항 및 경고사항, 그림, 사양과 구성 요소 및 기능을 숙지해야 합니다. 유의하지 않을 경우, 감전, 화재 발생 및/또는 중상을 입을 위험이 있습니다. 추후 사용 시에도 활용할 수 있도록 관련 지침, 안전상의 주의사항 및 경고사항이 포함된 사용 설명서를 잘 보관하십시오.
- 함께 제공되는 사용 설명서는 인쇄 시점의 최신 기술 버전을 반영하여 작성됩니다. 최신 버전은 항상 Hilti 제품 사이트의 온라인 버전을 참조하십시오. 온라인 버전을 참고하고자 할 경우, 본 사용 설명서에 제시된 링크 혹은  기호로 표시된 QR 코드를 클릭하십시오.
- 제품을 다른 사람에게 양도할 때는 본 사용 설명서도 반드시 함께 넘겨주십시오.

1.2 기호 설명

1.2.1 경고사항

본 제품을 다루면서 발생할 수 있는 위험에 대한 경고사항. 다음과 같은 시그널 워드가 사용됩니다.

⚠ 위험

위험!

- ▶ 이 기호는 직접적인 위험을 표시합니다. 만약 지키지 않으면 심각한 부상을 당하거나 사망할 수도 있습니다.

⚠ 경고

경고!

- ▶ 이 기호는 잠재적인 위험을 표시합니다. 만약 지키지 않으면 심각한 부상을 당하거나 사망할 수도 있습니다.



⚠ 주의

주의 !

▶ 이 기호는 잠재적인 위험 상황을 표시합니다. 만약 지키지 않으면 부상 또는 물적 손실을 입을 수 있습니다.

1.2.2 사용 설명서에 사용된 기호

본 사용 설명서에서 사용되는 기호는 다음과 같습니다.

	사용 설명서에 유의하십시오
	적용 지침 및 기타 유용한 사용정보
	재사용이 가능한 자재 취급방법
	전기 기기 및 배터리를 일반 가정의 쓰레기처럼 폐기해서는 안 됨
	Hilti 리튬 이온 배터리
	Hilti 충전기

1.2.3 그림에 사용된 기호

다음과 같은 기호가 그림에 사용됩니다.

	이 숫자는 본 사용 설명서 첫 부분에 있는 해당 그림을 나타냅니다.
3	그림에 매겨진 번호는 중요한 작업 순서 또는 작업 순서에 중요한 부분을 나타냅니다. 텍스트에 해당 작업 순서 또는 해당 번호가 매겨진 부품이 강조 표시됩니다(예: (3)).
	항목 번호는 개요 그림에서 사용되며 제품 개요 단락에 나와 있는 기호 설명 번호를 나타냅니다.
	이 표시는 제품을 다룰 때, 특별히 주의할 사항을 나타냅니다.

1.3 제품 관련 기호

1.3.1 일반 기호

제품과 연관되어 사용되는 기호입니다.

	본 제품은 iOS 및 Android 플랫폼과 호환 가능한 NFC 기술을 지원합니다.
	직류
n_0	무부하 회전 속도
\emptyset	직경
	톱날 치수
	램프를 쳐다보지 마십시오.
Li-Ion	리튬이온 배터리
	배터리를 물건으로 가격하는 일이 없도록 하고 배터리를 절대 타격 공구로 사용하지 마십시오.
	배터리를 떨어뜨리지 마십시오. 타격을 받은 적이 있거나 다른 손상이 있는 배터리는 사용하지 마십시오.

1.3.2 금지 표시

금지 표시는 금지된 행위를 나타냅니다.





위험 영역! 작업자의 손, 손가락, 팔이 위험 영역에 닿지 않도록 하십시오.

1.3.3 준수 표시

준수 표시는 취급 시 준수해야 하는 사항을 안내합니다.



귀마개 사용



보안경 사용

1.4 제품 정보

HILTI 제품은 전문가용으로 설계되어 있으며, 해당 교육을 이수한 공인된 작업자를 통해서만 조작, 유지 보수 및 수리 작업을 진행할 수 있습니다. 이 기술자는 발생할 수 있는 위험에 대해 특별 교육을 받은 상태여야 합니다. 교육을 받지 않은 사람이 제품을 부적절하게 취급하거나 규정에 맞지 않게 사용할 경우에는 기기와 그 보조기구에 의해 부상을 당할 위험이 있습니다.

형식 명칭 및 일련 번호는 형식 라벨에 제시되어 있습니다.

- ▶ 일련 번호를 다음의 표에 옮기십시오. 대리점 또는 서비스 센터에 문의할 경우 제품 제원이 필요합니다.

제품 제원

충전 마이터 쏘	SM 60-22
세대	01
일련 번호	

1.5 적합성 선언

본 제조사는 단독 책임 하에 여기에 기술된 제품이 통용되는 법 규정 및 규범과 일치함을 밝힙니다. 적합성 증명서 사본은 본 문서 끝 부분에서 확인할 수 있습니다.

기술 문서는 이곳에 기술되어 있습니다.

Hilti Entwicklungsgesellschaft mbH | Zulassung Geräte | Hiltistraße 6 | 86916 Kaufering, DE

2 안전

2.1 전동 공구에 대한 일반적인 안전상의 주의사항

⚠ 경고 해당 전동 공구와 함께 동봉된 모든 안전상의 주의 사항, 지침, 그림 및 기술자료를 숙지하십시오. 다음과 같은 지침 내용을 준수하지 않으면 전기 충격, 화재가 발생하거나 그리고/또는 중상을 입을 수 있습니다. 앞으로 모든 안전상의 주의사항과 지침을 보관하십시오.

안전상의 주의사항에서 사용되는 "전동 공구"라는 개념은 전원케이블에 연결하여 사용하는 전동 공구(전원 케이블 있음) 또는 배터리를 사용하는 전동 공구(전원 케이블 없음)를 의미합니다.

작업장 안전수칙

- ▶ 작업장을 항상 깨끗이 하고 조명이 잘 들도록 하십시오. 어수선한 작업환경 또는 어두운 작업장은 사고를 초래할 수 있습니다.
- ▶ 인화성 액체, 가스 또는 먼지가 있어 폭발 위험이 있는 환경에서는 전동 공구를 사용하지 마십시오. 전동 공구는 먼지나 증기를 점화시킬 수 있는 스파크를 일으킵니다.
- ▶ 전동 공구를 사용할 때, 어린이들이나 다른 사람들이 작업장에 접근하지 못하도록 하십시오. 다른 사람의 방해로 인해 기기를 통제하기 어렵습니다.

전기에 관한 안전수칙

- ▶ 전동 공구의 전원 플러그가 소켓에 잘 끼워져야 합니다. 플러그를 절대 변형시켜서는 안됩니다. 접지된 전동 공구와 함께 아답타 플러그를 사용하지 마십시오. 변형되지 않은 플러그와 적합한 소켓을 사용하면 감전의 위험을 줄일 수 있습니다.
- ▶ 파이프, 히터, 전기레인지, 냉장고와 같은 접지 표면에 신체 접촉을 피하십시오. 신체에 닿을 경우 감전될 위험이 높습니다.
- ▶ 전동 공구가 비에 맞지 않도록 하고 습한 장소에 두지 마십시오. 전동 공구에 물이 들어가면 감전될 위험이 높습니다.
- ▶ 전원 케이블만 잡고 전동 공구를 운반하거나 걸어 놓아서는 안되며, 소켓에서 전원 플러그를 빼낼 때 케이블만 잡은 채로 빼내지 마십시오. 전원 케이블이 열, 오일, 날카로운 모서리 또는 부품의 가동 부위에 접촉하지 않도록 주의하십시오. 손상되거나 서로 꼬인 전원 케이블은 감전 위험을 높입니다.



- ▶ 실외에서 전동 공구를 이용하여 작업할 때, 실외용으로 승인된 연장 케이블만 사용하십시오. 실외용 연장 케이블을 사용하면 감전의 위험을 줄여줍니다.
- ▶ 전동 공구를 습한 환경에서 사용하는 것을 피할 수 없을 경우, 누전 차단기를 사용하십시오. 누전 차단기를 사용하면 감전 위험을 줄일 수 있습니다.

사용자 안전수칙

- ▶ 신중하게 작업하십시오. 작업에 정신을 집중하고 전동 공구를 사용할 때 경솔하게 행동하지 마십시오. 피곤하거나 항정신성 약물, 술 또는 약을 복용시에는 전동 공구를 사용하지 마십시오. 전동 공구 사용 시 이에 유의하지 않을 경우 심각한 부상을 초래할 수 있습니다.
- ▶ 안전 장비를 갖추고 보안경을 착용하십시오. 전동 공구의 종류와 사용에 따라, 먼지 보호 마스크, 미끄럼 방지용 안전 신발, 안전모 또는 귀마개 등과 같은 안전한 보호장비를 착용하면 부상의 위험을 줄일 수 있습니다.
- ▶ 실수로 기기가 작동하지 않도록 주의하십시오. 전동 공구를 전원 그리고/또는 배터리에 연결하기 전, 보관 또는 운반 전에 전동 공구가 스위치 OFF 상태인지 확인하십시오. 전동 공구 운반 시 스위치에 손가락을 대거나 스위치가 켜진 상태에서 전원을 연결하면 사고를 유발할 수 있습니다.
- ▶ 전동 공구의 스위치를 켜기 전, 조정공구 또는 렌치를 제거하십시오. 기기 회전부에 남아있는 공구나 렌치로 인해 부상을 입을 수 있습니다.
- ▶ 작업 시 비정상적인 자세는 피하십시오. 안전한 작업자세가 되도록 하고, 항상 균형을 유지하십시오. 이렇게 하여 여기저기 않은 상황에서도 전동 공구를 잘 제어할 수 있습니다.
- ▶ 적합한 작업복을 착용하십시오. 헐렁한 복장이나 장식품을 착용하지 마십시오. 작동하는 기기 가동 부위에 머리, 옷 그리고 장갑이 가까이 닿지 않도록 주의하십시오. 헐렁한 복장, 장식품 혹은 긴 머리가 가동 부위에 말려 들어갈 수 있습니다.
- ▶ 먼지 제거장치나 수거장치를 설치할 수 있는 기기의 경우, 이 장치들이 연결되어 있는지 그리고 제대로 작동되는지를 확인하십시오. 먼지 포집장치 사용은 먼지로 인한 위험을 줄여줄 수 있습니다.
- ▶ 이 전동 공구를 여러분이 사용해봤다고 해서 안전하다고 안심하지 말고 전동 공구에 해당되는 안전 규칙을 무시하지 마십시오. 부주의하게 행할 경우 아주 짧은 순간에 중상을 입을 수 있습니다.

전동 공구의 취급과 사용

- ▶ 기기에 과부하가 걸리지 않도록 하십시오. 귀하의 작업에 적합한 전동 공구를 사용하십시오. 적합한 전동 공구를 사용하면, 지정된 성능 한도 내에서 더 효율적으로 안전하게 작업할 수 있습니다.
- ▶ 스위치가 고장난 전동 공구는 사용하지 마십시오. 스위치가 작동되지 않는 전동 공구는 위험하므로, 반드시 수리를 해야 합니다.
- ▶ 기기 세팅을 실행, 액세서리를 교환 또는 기기를 보관하기 전에 컨넥터를 전원소켓에서 그리고/또는 탈착식 배터리를 기기에 빼놓으십시오. 이러한 조치는 실수로 전동 공구가 작동하지 않도록 방지합니다.
- ▶ 사용하지 않는 전동 공구는 어린이들의 손이 닿지 않는 곳에 보관하십시오. 기기 사용에 익숙치 않거나 또는 이 안전수칙을 읽지 않은 사람이 기기를 사용해서는 안 됩니다. 비숙련자가 전동 공구를 사용하면 위험합니다.
- ▶ 전동 공구 및 액세서리를 유의해서 관리하십시오. 기기의 가동 부위가 완벽하게 작동하는지, 끼어 있지 않은지, 혹은 부품이 손상되거나 파손되어 있어 전동 공구의 기능을 저하시키지 않는지 점검하십시오. 기기 사용 전 손상된 부품을 수리하도록 하십시오. 제대로 관리되지 않은 전동 공구는 많은 사고를 유발합니다.
- ▶ 절단기기는 날카롭고 깨끗하게 관리하십시오. 날카로운 절단면이 있고 잘 관리된 절단기기는 끼이는 경우가 드물고 조절하기도 쉽습니다.
- ▶ 본 지침에 따라 전동 공구, 액세서리, 공구 비트 등을 사용하십시오. 이 때 작업 조건과 실시하려는 작업 내용을 고려하십시오. 원래 사용 분야가 아닌 다른 작업에 전동 공구를 사용할 경우, 위험한 상황을 초래할 수 있습니다.
- ▶ 손잡이 및 손잡이 표면은 건조하고 깨끗하게, 그리고 오일과 그리스가 묻어있지 않도록 해야 합니다. 미끄러운 손잡이 및 손잡이 표면은 예상치 못한 상황에서 전동 공구를 안전하게 조작하고 제어할 수 없습니다.

배터리 공구의 취급과 사용

- ▶ 제조회사가 권장한 충전기에만 배터리를 충전시키십시오. 특정한 형식의 배터리를 사용하도록 규정되어 있는 충전기에 다른 배터리를 사용할 경우 화재 발생의 위험이 있습니다.
- ▶ 전동 공구에 적합하게 규정된 배터리만 사용하십시오. 다른 배터리를 사용하면 부상을 입을 수 있고, 화재가 발생할 수 있습니다.
- ▶ 배터리를 사용하지 않을 경우 클립, 동전, 키, 못, 나사 또는 다른 소형 금속 물질로부터 사용하지 않는 배터리를 멀리 떨어뜨려 놓아주십시오. 배터리 간 단락으로 인한 연소 또는 화재를 초래할 수 있습니다.
- ▶ 잘못 사용할 경우, 배터리로부터 전해액이 흘러나올 수 있습니다. 전해액을 직접 만지지 마십시오. 실수로 만졌을 경우, 물로 씻으십시오. 전해액이 눈에 들어갔으면, 의사와 상담하십시오. 배터리로부터 흘러나온 전해액은 피부를 손상시킬 수 있으며, 화재를 발생시킬 수 있습니다.
- ▶ 손상된 배터리 또는 변경된 배터리를 사용하지 마십시오. 손상된 배터리 또는 변경된 배터리는 예상치 못한 상황 및 화재, 폭발 또는 부상 위험을 초래할 수 있습니다.



- ▶ 배터리에서 불꽃이 발생하거나 또는 배터리가 너무 높은 온도에 노출되지 않게 하십시오. 불꽃 또는 온도가 130 °C (265 °F)를 넘으면 폭발을 일으킬 수 있습니다.
- ▶ 충전에 관한 모든 지침을 준수하여 배터리 또는 배터리 공구를 절대 사용 설명서에 제시된 범위를 벗어난 온도에서 충전하지 마십시오. 잘못 충전하거나 허용된 범위를 벗어난 온도에서 충전하면 배터리가 파손되어 화재 발생 위험이 높아질 수 있습니다.

서비스

- ▶ 전동 공구는 반드시 자격을 갖춘 전문가에 의해 그리고 순정 대체부품만 이용하여 수리해야 합니다. 이렇게 하여 기기의 안전성을 계속해서 유지할 수 있습니다.
- ▶ 손상된 배터리를 절대 수리하지 마십시오. 배터리 수리는 제조회사 또는 권한을 위임받은 고객 서비스센터에서만 이루어져야 합니다.

2.2 마이터 소 관련 안전상의 주의사항

- ▶ 마이터 쓰는 목재 또는 목재와 유사한 제품을 절단하는 용도로 사용되며, 스틱, 바, 스크류와 같은 형태의 철재 절단에는 사용할 수 없습니다. 연마성 먼지는 아래쪽 안전반같은 움직이는 부품이 막히도록 유발할 수 있습니다. 절단 스파크는 아래쪽 안전판, 삽입판 및 기타 플라스틱 부품을 태웁니다.
- ▶ 가능한하면 클램프로 공작물을 고정하십시오. 공작물을 손으로 잡을 경우 손의 위치는 항상 톱날 양측으로부터 100 mm(4인치) 이상 떨어져 있어야 합니다. 고정하거나 손으로 잡기가 크기가 너무 작은 조각을 절단하는 용도로 이 톱을 사용하지 마십시오. 손이 톱날에 너무 가까이 있을 경우 톱날 접촉으로 인한 부상 위험이 높아집니다.
- ▶ 공작물은 움직이지 않아야 하고 잠금 레버와 테이블에 고정되거나 밀착되어 있어야 합니다. 톱날에 공작물을 밀어 넣지 말고 절대로 “손오만” 작업하지 마십시오. 느슨하거나 움직이는 공작물이 빠른 속도로 밀려나고 부상을 유발할 수도 있습니다.
- ▶ 톱을 공작물 사이로 밀어 넣으십시오. 톱을 공작물 사이로 당기는 일이 없도록 하십시오. 절단 작업을 진행하려면 톱 헤드를 들어 올린 후 절단하지 않은 상태로 공작물 위로 당깁니다. 그런 다음 모터를 켜고, 톱 헤드를 아래로 내려서 공작물 사이로 톱을 밀어 넣으십시오. 당겨서 절단할 경우 톱날이 공작물 위로 솟아 올라서 톱날 유닛이 작업자를 향해 세게 튕겨 나갈 위험이 있습니다.
- ▶ 절대로 톱날의 앞쪽과 뒤쪽에서 정해진 절단선 너머로 손을 넣지 마십시오. 손을 교차하여 공작물을 지지하는 행위, 다시 말해 왼손으로 우측에 있는 공작물을 잡거나 그 반대로 잡는 행위는 매우 위험합니다.
- ▶ 톱날이 회전하는 동안 잠금 레버 뒤로 손을 넣지 마십시오. 손과 회전하는 톱날 사이의 거리가 안전 거리 100 mm(4인치)보다 가까워서는 안 됩니다(예를 들어 톱밥을 제거할 때 톱날 양측에 모두 안전 거리가 적용됨). 회전하는 톱날에 손이 가까이 있는 것을 인식하지 못하고 심각한 부상을 입을 수 있습니다.
- ▶ 절단하기 전에 공작물을 확인하십시오. 공작물이 구부러지거나 휘어진 경우, 바깥쪽으로 구부러진 면이 잠금 레버 쪽으로 가도록 고정하십시오. 항상 절단선을 따라 공작물, 잠금 레버 및 테이블 사이에 빈틈이 없는지 확인하십시오. 구부러지거나 휘어진 공작물은 비틀어지거나 움직여 절단 중에 회전하는 톱날이 걸릴 수 있습니다. 공작물에 못이나 이물질이 있어서는 안 됩니다.
- ▶ 테이블 위에 공구, 톱밥 등이 없는 상태에서만 톱을 사용하십시오. 테이블 위에는 공작물만 있어야 합니다. 작은 부스러기, 느슨한 나무 조각 또는 기타 물체가 회전하는 톱날과 닿아서 재빠르게 튕겨 나갈 수 있습니다.
- ▶ 각각 하나의 공작물만 절단하십시오. 여러 겹으로 쌓은 공작물은 적절하게 클램핑 또는 단단히 고정되지 않으므로 절단 중에 톱날이 걸리거나 미끄러질 수 있습니다.
- ▶ 사용하기 전에 마이터 쓰가 평평하고 단단한 작업 표면 위에 놓여 있는지 확인하십시오. 평평하고 단단한 작업 표면에서는 마이터 쓰가 불안정해질 위험이 줄어듭니다.
- ▶ 작업 계획을 세우십시오. 톱날 경사 또는 마이터 각도를 조절할 때는 항상 조절식 잠금 레버가 올바르게 보정되어 있으며 톱날이나 안전반에 닿지 않고 공작물을 지지하는지 확인하십시오. 기계의 전원을 켜지 않고 테이블 위에 공작물을 두지 않은 상태에서 톱날의 완전한 절단 동작을 시범적으로 테스트하고, 잠금 레버에 방해물이나 절단 유닛이 없는지 확인하십시오.
- ▶ 공작물이 테이블 상단보다 넓거나 길 경우, 테이블 익스텐션이나 절단 지지대 등을 이용해 적절하게 받쳐 주십시오. 마이터 쓰의 테이블보다 길거나 넓은 공작물은 단단하게 받쳐주지 않으면 기울어질 수 있습니다. 절단된 나무 조각이나 공작물이 기울어지면 아래쪽 안전반이 들리거나 회전하는 톱날에 의해 돌발적으로 튕겨 나갈 수 있습니다.
- ▶ 다른 작업자를 테이블 연장 또는 추가적인 지지 용도로 활용하지 마십시오. 공작물을 불안정한 상태로 지지할 경우 톱날이 걸릴 수 있습니다. 또한, 절단 중에 공작물이 이동하면서 작업자와 보조 작업자를 회전하는 톱날 안으로 끌어당길 수도 있습니다.
- ▶ 절단된 조각이 회전하는 톱날에 밀착되는 일이 없어야 합니다. 세로 방향 스톱퍼를 사용할 때와 같이 공간이 거의 없을 경우, 절단된 조각이 톱날에 끼어서 심하게 튕겨 나갈 수 있습니다.
- ▶ 항상 클램프나 적합한 장치를 사용하여 바 또는 파이프같은 원형 재재를 올바르게 받쳐주십시오. 바 절단 시 굴러가는 경향이 있어서 톱날이 물리고 공작물이 사용자의 손과 함께 톱날 안으로 당겨질 수 있습니다.
- ▶ 톱날이 최고 속도에 도달할 때까지 기다렸다가 공작물을 절단하십시오. 이렇게 하면 공작물이 날아갈 위험이 줄어듭니다.



- ▶ 공작물이 걸리거나 톱날이 막힌 경우, 마이터 쏘의 전원을 끄십시오. 움직이는 모든 부품이 정지할 때까지 기다렸다가 전원 플러그를 뽑거나 배터리를 분리하십시오. 그런 다음, 걸린 자재를 제거하십시오. 이렇게 막힌 상태에서 톱 작업을 계속할 경우 제어력을 잃거나 마이터 쏘가 손상될 수 있습니다.
- ▶ 절단을 끝낸 후 스위치를 해제하고 톱 헤드를 아래로 밀어서 톱날이 정지할 때까지 기다렸다가 절단된 조각을 제거하십시오. 아직 작동하고 있는 톱날 가까이에 손을 대는 것은 매우 위험합니다.
- ▶ 절단을 완전히 끝내지 않거나 톱 헤드가 아래 위치에 닿기 전에 스위치를 해제할 경우에는 손잡이를 단단히 잡고 있어야 합니다. 톱의 제동 효과로 인해 톱 헤드가 아래로 당겨져 부상의 위험이 발생할 수 있습니다.

2.3 그 외의 안전상의 주의사항

- ▶ 기술적 하자가 없는 상태에서만 제품 및 액세서리를 사용하십시오.
- ▶ 어떠한 경우에도 제품 또는 액세서리를 변경하거나 개조하지 마십시오.
- ▶ 떨어지는 공구 및/또는 액세서리로 인한 부상 위험. 작업을 시작하기 전에 배터리 및 설치된 액세서리가 안전하게 고정되어 있는지 확인하십시오.
- ▶ 샌딩, 연마, 절단 및 드릴링 작업 시 발생하는 먼지에는 위험한 화학물질이 함유되어 있을 수 있습니다. 예를 들어 납 또는 납 계열의 페인트, 벽돌, 콘크리트 및 기타 조적 벽돌 제품, 자연석 및 기타 실리콘 함유 제품, 참나무, 너도밤나무 및 화학 처리된 목재 등과 같은 특정 목재, 석면 또는 석면이 함유된 자재 등이 있을 수 있습니다. 작업하는 자재의 위험 등급을 따라 조각자 및 주변에 있는 사람들의 노출 정도를 결정하십시오. 안전한 수준에서 노출이 이루어질 수 있도록 예를 들어 먼지 포집장치 사용 또는 적합한 보호 마스크 착용 등 필요한 조치를 취하십시오. 노출을 줄일 수 있는 일반적인 조치:
 - ▶ 환기가 잘 되는 곳에서 작업하기,
 - ▶ 장시간 먼지 접촉 피하기,
 - ▶ 얼굴 및 신체의 먼지를 다른 곳으로 털어내기,
 - ▶ 보호복장 착용 및 노출된 영역을 비누와 물로 세척하기.
- ▶ 제품을 사용할 때에는 보안경, 안전모, 귀마개 및 적합한 보호 마스크를 착용하십시오.
- ▶ 손가락의 혈액순환이 잘 되도록 자주 휴식시간을 갖고, 휴식하는 동안 손가락 운동을 하십시오. 장시간 작업하면 강한 진동으로 인해 혈관 장애 또는 손가락, 손 및 손목의 신경 체계에 이상이 있을 수 있습니다.
- ▶ 환기 슬롯은 항상 가려져 있지 않게 하십시오. 숨겨진 환기 슬롯으로 인한 화재 위험!
- ▶ 톱 헤드를 아래쪽으로 내렸다면 손잡이를 놓지 마십시오. 항상 톱 헤드를 제어된 상태에서 위쪽 위치로 돌려놓으십시오. 톱 헤드가 제어되지 않고 움직이면 부상의 위험이 있습니다.
- ▶ 무디거나 금이 가거나 또는 손상된 톱날을 사용하지 마십시오. 무디거나 제대로 세팅되지 않은 톱날은 너무 좁은 톱 자국으로 인해 과도한 마찰, 톱날의 물림 그리고 반동을 유발합니다.
- ▶ 톱이 작동하는 동안 절단 부위에서 절단 잔여물, 톱밥 등을 절대로 제거하지 마십시오. 항상 톱의 전원을 먼저 끄고 톱 헤드를 위쪽 위치로 되돌리십시오.
- ▶ 기술자로 및/또는 제품에 명시된 사양(예: 직경, 속도, 두께, 설치 구멍, 소재 등)을 준수하고, 표준 EN 847-1에 따라 테스트를 거친 후 해당 표시가 되어 있으며 해당 제품에 대해 승인된 톱날만 사용하십시오.
- ▶ 허용 회전속도가 제품에 제시된 최고 회전속도 이상인 톱날만 사용하십시오.
- ▶ 작업 후에는 톱날의 열이 식을 때까지 만지지 마십시오. 작업 중에는 톱날이 매우 뜨겁습니다.
- ▶ 톱날을 교체할 때는 보호 장갑을 착용하십시오.
- ▶ 매번 사용하기 전에 항상 안전반이 제대로 닫히는지 확인하십시오. 톱 헤드를 아래쪽으로 보낸 뒤 제어된 상태에서 다시 위쪽 위치로 이동시키십시오. 안전반이 자유롭게 움직이지 않고 빨리 닫히지 않거나, 톱 헤드가 들어 올려질 때는 톱을 사용하지 마십시오. 절대로 하부 안전반을 열린 상태로 고정하거나 묶지 마십시오.
- ▶ 안전반 없이는 절대 제품을 사용하지 마십시오.
- ▶ 알루미늄 프로파일을 절단할 때는 항상 저속으로 공구를 작동하십시오.
- ▶ 항상 제품에 부착된 보조 지지대를 사용하고 제품을 고정하십시오.
- ▶ 제품을 운반할 때는 정해진 위치(리세스 그림 및 운반 손잡이)에서만 제품을 잡으십시오. 절대로 전동 공구를 슬라이딩 암이나 손잡이로 잡지 마십시오. → 페이지 297
- ▶ 톱니의 뾰족한 끝이 과열되지 않게 주의하십시오. 플라스틱을 절단할 때는 플라스틱이 용해되지 않게 주의하십시오.

2.4 배터리의 올바른 사용방법과 취급방법

- ▶ 리튬 이온 배터리를 보다 안전하게 취급하고 사용할 수 있도록 다음과 같은 안전상의 주의 사항에 유의하십시오. 유의하지 않을 경우 피부 자극, 심각한 부식성 부상, 화학 화재, 화재 및/또는 폭발을 유발할 수 있습니다.
- ▶ 기술적 하자가 없는 상태에서만 배터리를 사용하십시오.
- ▶ 배터리를 조심히 다루어 손상되지 않고, 건강에 유해한 액체가 흘러나오지 않게 하십시오!



- ▶ 배터리는 어떠한 경우에도 개조 또는 변조해서는 안 됩니다!
- ▶ 배터리를 분해하거나 강한 압력 또는 80 °C (176 °F) 이상의 열을 가하거나 연소시켜서는 안 됩니다.
- ▶ 타격을 받은 적이 있거나 다른 손상이 있는 배터리는 사용 또는 충전하지 마십시오. 손상될 기미가 보이는 지 정기적으로 점검하십시오.
- ▶ 재활용 또는 수리한 배터리는 절대 사용하지 마십시오.
- ▶ 배터리 또는 배터리 구동식 전동 공구를 절대 타격 공구로 사용하지 마십시오.
- ▶ 배터리가 직사광선, 고온, 스파크 또는 불꽃에 절대 노출되지 않도록 하십시오. 이로 인해 폭발이 발생할 수 있습니다.
- ▶ 배터리 전극을 손가락, 공구, 장신구 또는 다른 전도성 물체를 통해 만지지 마십시오. 이는 배터리 손상, 물적 손상 및 부상을 유발할 수 있습니다.
- ▶ 배터리가 비 또는 습기 및 액체에 노출되지 않게 하십시오. 습기가 유입되면 단락, 감전, 화재, 불꽃 및 폭발이 일어날 수 있습니다.
- ▶ 배터리 타입에 해당되는 충전기 및 전동공구만 사용하십시오. 이를 위해 해당 사용 설명서에 적혀 있는 내용을 확인하십시오.
- ▶ 폭발 위험이 있는 환경에서 배터리를 사용하거나 보관하지 마십시오.
- ▶ 배터리를 잡기에 너무 뜨거운 경우에는 고장일 수 있습니다. 배터리를 인화성 물질과 충분한 거리를 둔 상태에서 눈에 잘 띄며 불이 잘 붙지 않는 장소에 두십시오. 배터리를 냉각시키십시오. 한 시간 후에도 계속해서 배터리를 잡기에 너무 뜨거운 경우에는 배터리에 결함이 있을 수 있습니다. **Hilti** 서비스 센터에 문의하거나 "안전 및 Hilti 리튬 이온 배터리 작업 관련 지침" 문서 내용을 확인하십시오.



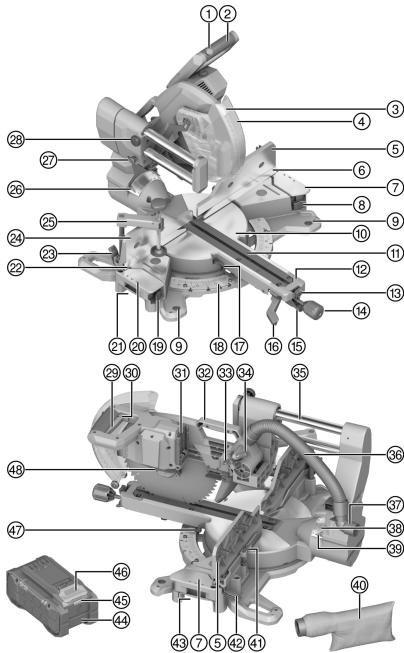
리튬 이온 배터리의 운반, 보관 및 사용 시 적용되는 특수 가이드라인에 유의하십시오.

안전 및 Hilti 리튬 이온 배터리 작업 관련 지침은 본 사용 설명서의 끝부분에 제시된 QR 코드를 통해 확인할 수 있습니다.



3 제품 설명

3.1 제품 개요



- ① 스위치ON로크
- ② 손잡이
- ③ LED 절단 표시기
- ④ 안전반
- ⑤ 위쪽 경사 스토퍼, 우측
- ⑥ 아래쪽 경사 스토퍼, 우측
- ⑦ 보조 지지대, 우측
- ⑧ 보조 지지대 잠금해제 레버, 우측
- ⑨ 마운팅 홀
- ⑩ 회전 플레이트
- ⑪ 슬롯 플레이트
- ⑫ 회전 플레이트 암
- ⑬ 회전 플레이트 잠금해제 레버 고정 위치
- ⑭ 회전 플레이트용 잠금 노브
- ⑮ 회전 플레이트 잠금해제 레버
- ⑯ 수직 베벨 각도 잠금해제 레버
- ⑰ 수평 마이터 각도 바늘, 좌측
- ⑱ 수평 마이터 각도용 눈금
- ⑲ 보조 지지대 잠금해제 레버, 좌측
- ⑳ 보조 지지대, 좌측
- ㉑ 리세스 그립, 좌측
- ㉒ 아래쪽 경사 스토퍼, 좌측
- ㉓ 위쪽 경사 스토퍼 잠금해제 레버, 좌측
- ㉔ 위쪽 경사 스토퍼, 좌측
- ㉕ 나사 클램프
- ㉖ 수직 베벨 각도 바늘, 좌측
- ㉗ 안전 운반 장치
- ㉘ 풀아웃 고정 나사
- ㉙ ON/OFF 스위치
- ㉚ 잠금장치용 구멍
- ㉛ 배터리 인터페이스
- ㉜ 운반용 손잡이
- ㉝ 깊이 게이지 정지판
- ㉞ 깊이 게이지
- ㉟ 풀아웃 / 슬라이드 레일
- ㊱ 먼지 포집장치 연결 호스
- ㊲ 흡입 노즐
- ㊳ 수직 베벨 각도용 눈금
- ㊴ 수직 베벨 각도 바늘, 우측
- ㊵ 먼지 포집 백
- ㊶ 육각 렌치
- ㊷ 위쪽 경사 스토퍼 잠금해제 레버, 우측
- ㊸ 리세스 그립, 우측
- ㊹ 배터리
- ㊺ 배터리 상태 표시기
- ㊻ 배터리 잠금해제 버튼
- ㊼ 수평 마이터 각도 바늘, 우측
- ㊽ 스피들 잠금장치



3.2 규정에 맞는 사용

기술된 제품은 배터리 구동식 마이터 쓰입니다. 목재, 목재 제품, 플라스틱 및 알루미늄 프로파일을 절단하는 용도로 사용됩니다. 본 제품으로 크로스 컷, 베벨 컷, 마이터 컷을 진행할 수 있습니다.

본 제품에는 통용되는 청소기 호스에 맞춰 설계된 부스러기 흡입용 연결 부품이 장착되어 있습니다. 먼지 제거기 호스를 틈에 연결하려면 적합한 어댑트가 필요할 수 있습니다.

- 함께 제공된 칩 주머니 또는 적합한 먼지 제거기와 함께 틈을 사용하십시오.
- 기술자료에 제시된 재료(예: 직경, 회전속도, 두께, 소재 등...)과 일치하며, 제품에 허용되는 톨날만 사용하십시오. 연삭 및 커팅 디스크와 고합금 고속도강(HSS 강) 소재의 톨날은 허용되지 않습니다.
- 절대로 이 제품으로 마그네슘을 절단하지 마십시오.
- 본 제품에는 모델시리즈 B 22의 Hilti Nuron 리튬이온 배터리만 사용하십시오. Hilti는 출력을 최적화할 수 있도록 본 제품에 본 사용 설명서의 끝부분 표에 명시된 배터리를 사용할 것을 권장합니다.
- 해당 배터리에는 본 사용 설명서 끝부분 표에 명시된 모델시리즈의 Hilti 충전기만 사용하십시오.

3.3 공급품목

마이터 쓰, 톨날, 고정 플랜지, 마운팅 플랜지, 클램핑 나사, 육각 렌치, 나사 클램프, 잠금 노브, 회전 플레이트, 사용 설명서

해당 제품에 허용되는 기타 시스템 제품은 **Hilti Store** 또는 다음 사이트에서 확인할 수 있습니다:
www.hilti.group

3.4 리튬이온 배터리 표시

Hilti Nuron 리튬 이온 배터리는 충전 상태, 오류 메시지 및 배터리 상태를 표시할 수 있습니다.

3.4.1 충전 상태 및 오류 메시지 표시

경고

부상 위험 떨어지는 배터리로 인한 위험!

- ▶ 배터리가 끼워진 상태에서 잠금해제 버튼을 누른 경우, 배터리가 사용하는 제품에 다시 제대로 고정되었는지 확인하십시오.

다음과 같은 표시를 확인하려면, 배터리 잠금해제 버튼을 짧게 누르십시오.

연결된 제품의 전원이 켜져 있는 동안 충전 상태 및 발생 가능한 기능 장애 내용도 계속 표시됩니다.

상태	의미
4개 LED가 녹색으로 계속 점등됩니다	충전 상태: 100 % ~ 71 %
3개 LED가 녹색으로 계속 점등됩니다	충전 상태: 70 % ~ 51 %
2개 LED가 녹색으로 계속 점등됩니다	충전 상태: 50 % ~ 26 %
1개 LED가 녹색으로 계속 점등됩니다	충전 상태: 25 % ~ 10 %
1개 LED가 녹색으로 느리게 깜박입니다	충전 상태: < 10 %
1개 LED가 녹색으로 빠르게 깜박입니다	리튬이온 배터리가 완전히 방전되었습니다. 배터리를 충전하십시오. 배터리 충전 후에도 계속해서 LED가 빠르게 깜박이면, Hilti 서비스 센터에 문의해 주십시오.
1개 LED가 황색으로 빠르게 깜박입니다	리튬 이온 배터리 또는 배터리와 관련된 제품이 과부하되었거나, 너무 뜨겁거나 차갑거나 또는 다른 오류가 발생했습니다. 제품 및 배터리를 권장하는 작동 온도 상태로 유지하고, 제품을 사용하지 않을 경우 제품에 과부하가 걸리지 않도록 하십시오. 해당 메시지가 계속 존재하는 경우, Hilti 서비스 센터에 문의해 주십시오.
1개 LED가 황색으로 점등됩니다	리튬이온 배터리 및 배터리가 연결된 제품과 호환되지 않습니다. Hilti 서비스 센터에 문의해 주십시오.
1개 LED가 적색으로 빠르게 깜박입니다	리튬이온 배터리 사용이 금지되어 더 이상 사용할 수 없습니다. Hilti 서비스 센터에 문의해 주십시오.



3.4.2 배터리 상태 표시

배터리 상태를 조회하려면, 잠금해제 버튼을 3초 이상 누르고 계십시오. 낙하, 틈새 발생, 외부 요인으로 인한 열 손상 등 잘못된 사용으로 인해 시스템에서 잠재적으로 발생할 수 있는 배터리의 오작동을 감지하지 못합니다.

상태	의미
작동 표시등으로 모든 LED가 점등된 후 1개 LED가 녹색으로 계속 점등됩니다.	배터리를 계속해서 사용할 수 있습니다.
작동 표시등으로 모든 LED가 점등된 후 1개 LED가 황색으로 빠르게 깜박입니다.	배터리 상태 조회를 종료할 수 없습니다. 해당 과정을 반복하거나 Hilti 서비스 센터에 문의해 주십시오.
작동 표시등으로 모든 LED가 점등된 후 1개 LED가 적색으로 계속 점등됩니다.	연결된 제품을 계속해서 사용할 수 없는 경우, 남아 있는 배터리 용량이 50% 미만입니다. 연결된 제품을 계속해서 사용할 수 없는 경우, 배터리의 수명이 다 되어 교체해야 합니다. Hilti 서비스 센터에 문의해 주십시오.

4 기술자료

4.1 제품 특성

정격 전압	21.6V	
무부하 회전속도	4,300/min	
톱날 직경	305mm	
날 두께	0.5mm ... 1.5mm	
톱날 마운팅 구멍	30mm	
절단폭	3.2mm	
최대 수평 마이터 각도	우측	≤ 60°
	좌측	≤ 52°
최대 수직 베벨 각도	우측	≤ 48°
	좌측	≤ 48°
다른 치수 또는 마이터 각도와 관계 없는 최대 절단 용량	높이	≤ 100mm
	폭	≤ 360mm
무게	25.6kg (EPTA-Procedure 01에 따른 값, 배터리 미포함)	
작동 시 주변 온도	-17 °C ... 60 °C	
보관 온도	-20 °C ... 70 °C	

4.2 배터리

배터리 모드 전압	21.6V
배터리 무게	본 사용 설명서의 끝부분 참조
작동 시 주변 온도	-17 °C ... 60 °C
보관 온도	-20 °C ... 40 °C
충전 시작 시 배터리 온도	-10 °C ... 45 °C

4.3 EN 62841에 따른 소음 정보 및 진동값

이 지침에 제시된 음압 및 진동수준은 표준화된 측정방법에 따라 측정된 것이며, 전동 공구를 서로 비교하기 위한 용도로 사용할 수 있습니다. 음압 및 진동 수준은 노출 정도를 사전에 예측하는 데에도 유용하게 사용할 수 있도록 설계되어 있습니다.

제시된 데이터는 전동 공구의 주된 용도를 나타냅니다. 그러나 전동 공구를 다른 용도로 사용하거나 다른 공구 비트를 사용할 경우 또는 유지보수를 충분히 하지 않은 상태에서는 데이터에 편차가 있을 수 있습니다. 이러한 경우 전 작업시간에 걸쳐 노출이 현저하게 증가할 수 있습니다.

노출을 정확하게 평가하기 위해서는 기기 작동이 멈춰 있거나 또는 작동 중이지만 실제로는 사용하지 않는 시간도 고려해야 합니다. 이러한 경우 전 작업시간에 걸쳐 노출이 현저하게 감소할 수 있습니다.



사용자를 보호하기 위해 음파 그리고/또는 진동이 작용하기 전에 다음과 같은 추가적인 안전 조치를 취하십시오. 진동 공구와 공구 비트의 유지보수, 손을 따뜻하게 유지, 작업순서 정하기 등.

소음 정보

소음 수준 (L_{WA})	101dB(A)
음압 수준 (L_{pA})	90dB(A)
허용공차 (L_{WA} 및 L_{pA} 의 경우)	3dB(A)

진동 총 값

진동 배출값	B 22-55	$\leq 2.5m/s^2$
	B 22-255	$\leq 2.5m/s^2$
허용공차		$1.5m/s^2$

4.4 최대 절단 용량

정해진 높이 및 너비 치수는 서로 연관이 있습니다. 최대 작업 가능한 높이 및 너비에 대한 값은 제품 특성 → 페이지 287 단원에서 확인할 수 있습니다.

수평 마이터 각도	수직 베벨 각도	높이 x 너비
0°	0°	100mm x 355mm
	22.5° 우측	72mm x 355mm
	22.5° 좌측	90mm x 355mm
	30° 우측	60mm x 355mm
	30° 좌측	78mm x 355mm
	45° 우측	40mm x 355mm
	45° 좌측	65mm x 340mm
	48° 우측	30mm x 355mm
	48° 좌측	50mm x 355mm
45° 우측 45° 좌측	0°	100mm x 250mm
	45° 우측	40mm x 250mm
	45° 좌측	62mm x 250mm
52° 좌측	0°	100mm x 200mm
	45° 우측	40mm x 220mm
	45° 좌측	62mm x 220mm
60° 우측	0°	100mm x 176mm
	45° 우측	40mm x 178mm
	45° 좌측	30mm x 190mm

5 작업 준비



경고

부상 위험 돌발적인 작동!

- ▶ 배터리를 끼우기 전에 해당 제품의 전원이 꺼져 있는지 확인하십시오.
- ▶ 기기 설정 또는 액세서리를 교체하기 전에 배터리를 제거하십시오.

본 문서 및 제품에 나와 있는 안전 지침 및 경고 지침에 유의하십시오.

5.1 잠금 노브 장착

출고 시 회전 플레이트의 잠금 노브는 장착되어 있지 않습니다. 톱을 사용하기 전에 이를 장착해야 합니다.

- ▶ 잠금 노브를 회전 플레이트의 암에 조이십시오.

5.2 배터리 충전

1. 충전하기 전에 충전기의 사용 설명서를 읽으십시오.
2. 배터리 및 충전기의 접점이 청결하고 건조한 상태인지 확인하십시오.



3. 허용되는 충전기에서 배터리를 충전하십시오. → 페이지 286

5.3 배터리 삽입

경고

부상 위험 부상 위험!

- ▶ 배터리를 끼우기 전에 배터리의 접점 및 제품의 접점에 이물질이 남아 있지 않은지 확인하십시오.
- ▶ 배터리가 제대로 고정되었는지 확인하십시오.

1. 처음으로 사용하기 전, 배터리를 완전히 충전하십시오.
2. 배터리가 제품에 고정되는 소리가 들릴 때까지 미십시오.
3. 배터리가 정확하게 설치되어 있는지 점검하십시오.

5.4 배터리 제거

1. 배터리의 잠금 해제 버튼을 누르십시오.
2. 배터리를 제품에서 빼내십시오.

5.5 제품 조립

제품은 평평하고 안정적인 표면에 고정해야 합니다.

1. 제품을 평평하고 안정적인 표면 위에 설치하십시오.
2. 제품을 고정 구멍 사이로 작업 표면 위에 고정하십시오. 고정에 적합한 나사를 사용하십시오.
3. 또는 표준 나사 클램프를 사용하여 기기 발판을 작업 표면에 단단히 고정할 수도 있습니다.



Hilti는 휴대용으로 제품을 장착할 수 있는 베이스 프레임도 옵션으로 제공합니다.

5.6 작업 위치로 이동하기

1. 톱 헤드를 살짝 아래로 누르고 안전 운반 장치를 빼내십시오.
2. 톱 헤드를 제어진 상태에서 위쪽으로 이동시키십시오.

5.7 먼지 포집장치

5.7.1 먼지 포집 백 장착

먼지 포집 백은 청결한 작업을 가능하게 하고 발생한 먼지를 대량으로 수거합니다.

- ▶ 흡입 노즐에 먼지 포집 백을 끼우십시오.

5.7.2 먼지 제거기 연결

먼지 제거기는 처리할 자재에 적합한 제품이어야 합니다. 유해성 먼지, 발암성 먼지 또는 건조한 먼지를 흡입할 경우에는 적합한 특수 집진기를 사용하십시오.

- ▶ 흡입 호스를 흡입 노즐에 삽입하십시오.

5.8 톱날 장착

고정할 톱날이 기술적인 요구사항에 부합하고 상태가 양호한지 확인하십시오. 날카로운 톱날은 이상적인 톱 절단을 위한 전제조건입니다.

1. 마운팅 플랜지 및 고정 플랜지를 청소하십시오.
2. 마운팅 플랜지를 정확한 방향으로 드라이브 스피들 (1)에 끼우십시오.
3. 회전 보호 안전판 (2)를 여십시오.
4. 새 톱날을 끼우십시오.



톱날 및 제품 위에 표시된 회전방향 화살표 (3)에 유의하십시오. 서로 일치해야 합니다.

5. 외부 고정 플랜지를 정확한 방향으로 끼우십시오 (4).
6. 클램핑 볼트를 체결하십시오.
7. 톱날용 클램핑 볼트에 육각 렌치를 설치하십시오.
8. 스피들 잠금장치를 계속 누르고 계십시오 (5).
9. 육각 렌치를 이용하여 클램핑 볼트를 조이십시오 (6).



- 10. 톱날이 제대로 설치되었는지 점검하십시오.
- 11. 톱날이 자유롭게 움직이는지 점검하십시오. 설정(수평 마이터 각도 및/또는 수직 베벨 각도) 시 톱날은 절대로 톱의 다른 구성부품과 접촉해서는 안 됩니다.
- 12. 정해진 소켓에 육각 렌치를 삽입하십시오.

5.9 톱날 분리

경고

톱날, 클램핑 볼트 및 고정 플랜지에서 화재 및 절단 위험 결과적으로 화재 및 절단 부상이 발생할 수 있습니다.

▶ 공구를 교환할 때에는 보호 장갑을 착용하십시오.

1. 스프링 잠금장치를 계속 누르고 계십시오 (1).
2. 육각 렌치를 이용하여 클램핑 볼트를 푸십시오 (2).
3. 클램핑 볼트 및 고정 플랜지를 제거하십시오 (3).
4. 회전 보호 안전반을 열고 (4) 톱날을 제거합니다 (5).



필요한 경우 세척을 위해 마운팅 플랜지를 빼낼 수 있습니다.

6 조작

본 문서 및 제품에 나와 있는 안전 지침 및 경고 지침에 유의하십시오.

6.1 풀아웃 잠금/해제

풀아웃은 모든 위치에서 잠글 수 있습니다.

1. 풀아웃을 잠글 때는 고정 나사 (1)을 시계 방향으로 돌리십시오.
 - ▶ 잠금 나사는 슬라이드 레일을 고정하여, 슬라이드 동작을 방지합니다.
2. 풀아웃을 풀 때는 고정 나사 (1)을 시계 반대 방향으로 돌리십시오.

6.2 깊이 게이지에서 절단 깊이 설정

홈을 절단하고자 할 때는 깊이 게이지를 사용하십시오.

1. 톱 헤드를 내릴 때 깊이 게이지가 구멍을 통과하지 않도록 하여 깊이 게이지의 정지판 (1)을 돌리십시오.
2. 널링 나사 (2)를 사용하여 원하는 절단 깊이를 설정하십시오.
3. 절단 깊이를 더 이상 제한하지 않을 때는, 깊이 게이지가 톱 헤드를 내릴 때 구멍 사이로 통과하도록 하여 정지판 (1)을 돌리십시오.

6.3 톱 테이블 연장

경고

긴 공작물로 인한 부상 위험. 긴 공작물의 경우 절단 중에 제어되지 않은 상태로 기울어지거나, 안전반이 들리거나, 톱날 걸림으로 인한 반동 현상이 일어날 수 있습니다.

▶ 추가 절단 지지대나 유사한 보조 받침대를 이용해 긴 공작물을 받쳐주십시오.

톱 테이블의 접촉면은 좌측 및/또는 우측 보조 지지대를 이용해 확장할 수 있습니다.

1. 보조 지지대 (1)의 잠금해제 레버를 여십시오.
2. 보조 지지대를 빼내십시오 (2).
3. 보조 지지대 (1)의 잠금해제 레버를 로크하십시오.
4. 필요한 경우 반대쪽에 위치하는 보조 지지대도 이 단계를 반복하십시오.

6.4 위쪽 경사 스톱퍼 설정

수평 마이터 각도 및/또는 수직 베벨 각도를 설정한 후에는 항상 위쪽 경사 스톱퍼를 바깥으로 빼내거나 완전히 제거해야 합니다.

1. 좌측 또는 우측의 위쪽 경사 스톱퍼의 잠금해제 레버 (1)을 여십시오.
2. 위쪽 경사 스톱퍼 (2)를 필요한 만큼 바깥쪽으로 빼내거나 경사 스톱퍼를 제거하십시오.
3. 잠금해제 레버 (1)을 닫으십시오.
 - ▶ 직선 절단을 할 경우 위쪽 경사 스톱퍼를 가장 안쪽 위치에 다시 장착하십시오.



4. 위쪽 경사 스톱퍼를 제거했을 경우, 절단 과정에서 안전하게 보관할 수 있도록 보조 지지대의 슬라이드 레일에 부착하는 방법도 있습니다.

6.5 수평 마이터 각도 설정 10

경고

회전 플레이트를 잠그지 않을 경우 발생하는 부상 위험. 회전 플레이트를 잠그지 않을 경우 공작물이 기울어져서 반동이 발생할 수 있습니다.

- ▶ 절단을 하기 전에 항상 회전 플레이트의 잠금 노브를 조이십시오.

조건: 표준 마이터 각도

자주 사용하는 수평 마이터 각도를 빠르고 정확하게 설정할 수 있도록 수평 마이터 각도 눈금에 노치가 있습니다. 이 노치에 회전 플레이트를 고정할 수 있습니다.

수평 마이터 각도의 고정 위치

좌측	중앙	우측
45°, 31.6°, 22.5°, 15°	0°	15°, 22.5°, 31.6°, 45°, 60°

- ▶ 필요에 따라 회전 플레이트의 잠금 노브를 푸십시오 (2).
- ▶ 회전 플레이트의 잠금해제 레버를 위로 당긴 상태에서 (1) 회전 플레이트를 원하는 수평 마이터 각도 직전까지 돌리십시오 (3).
- ▶ 회전 플레이트 잠금해제 레버를 해제하고 잠금 장치가 맞물려 고정될 때까지 원하는 수평 마이터 각도로 계속해서 돌리십시오.
- ▶ 회전 플레이트의 잠금 노브를 조이십시오 (2).

조건: 모든 수평 마이터 각도

표준 마이터 각도 외에 필요에 따라 수평 마이터 각도를 자유롭게 설정할 수 있습니다.

- ▶ 필요에 따라 회전 플레이트의 잠금 노브를 푸십시오 (2).
- ▶ 회전 플레이트의 잠금해제 레버를 위로 당겨서 (1) 맞물린 상태로 고정시키십시오 (4).
- ▶ 회전 플레이트를 원하는 수평 마이터 각도로 설정하십시오 (3).
- ▶ 회전 플레이트의 잠금 노브를 조이십시오 (2).

6.6 수직 베벨 각도 설정 11

경고

경사 설정을 잠그지 않은 상태에서 발생하는 부상 위험. 수직 베벨 각도 설정을 잠그지 않을 경우 절단 중에 톱헤드가 기울어지면서 반동이 발생할 수 있습니다.

- ▶ 설정 후에는 수직 베벨 각도 잠금해제 레버를 완전히 아래로 내려서 경사 설정을 잠그십시오.

주의

위쪽 경사 스톱퍼로 인한 부상 위험. 수직 베벨 각도를 설정하면 톱날이 위쪽 경사 스톱퍼와 충돌하여 손상되고 반동이 일어날 수 있습니다.

- ▶ 수직 베벨 각도를 설정한 후에는 항상 톱날의 자유로운 움직임을 점검하고 위쪽 경사 스톱퍼를 필요한 만큼 바깥쪽으로 설치하십시오.

자주 사용하는 수직 베벨 각도를 빠르고 정밀하게 조정할 수 있도록 톱 헤드가 여러 위치에 맞물려 고정됩니다.

수직 베벨 각도의 고정 위치

좌측	중앙	우측
45°, 33.9°, 22.5°	0°	22.5°, 33.9°, 45°

- ▶ 수직 베벨 각도 설정을 위한 잠금해제 레버를 위로 당겨서 해제하십시오 (2).
- ▶ 수직 베벨 각도 설정을 위한 잠금해제 레버를 위로 당겨서 톱 헤드를 자유롭게 움직일 수 있습니다 (3).
- ▶ 잠금해제 레버에서 손을 떼고 로크 장치가 맞물려 잠길 때까지 톱 헤드를 기울이십시오.
 - ▶ 톱 헤드는 상기 명시된 모든 위치에 맞물려 고정할 수 있습니다.
- ▶ 그런 다음 잠금해제 레버를 완전히 아래로 눌러 (1), 설정된 위치에서 톱 헤드를 로크하십시오.
- ▶ 베벨 각도를 자유롭게 설정하려면, 원하는 수직 베벨 각도에 도달할 때까지 수직 베벨 설정을 위한 잠금해제 레버를 가장 위쪽 위치에 계속 두십시오 (3).



- ▶ 그런 다음 잠금해제 레버를 완전히 아래로 눌러 **(1)**, 설정된 위치에 톱 헤드를 로크하십시오.
- ▶ 뒤쪽 경사 스토퍼는 톱날과 부딪히는 일이 없도록 설정하십시오. → 페이지 290

6.7 절단선 표시기 활성화

톱에는 절단선 표시기가 포함되어 있습니다. 톱 헤드의 LED가 작업장을 비추고 톱날을 통해 그림자를 만들어 절단선을 정확하게 표시합니다.

1. 스위치ON로크를 누르지 않고 ON/OFF 스위치를 활성화하십시오.
 - ▶ LED가 활성화됩니다.
2. 톱 헤드를 아래로 내리십시오.
 - ▶ 톱날의 그림자가 공작물 위에 나타나고, 절단선을 표시합니다.
3. 필요한 경우 공작물 또는 수평 마이터 각도 및/또는 수직 베벨 각도의 설정을 절단선에 따라 조정하십시오.

6.8 공작물의 위치 결정 및 고정 **12, 13, 14**

경고

뒤틀린 목재로 인한 부상 위험. 공작물이 휘어지거나 구부러진 경우 톱날이 기울어져 반동이 발생할 수 있습니다.

- ▶ 공작물이 휘어지거나 구부러진 경우 항상 바깥쪽으로 흰 쪽이 경사 스토퍼에 오도록 위치를 정하십시오. 절대로 공작물과 경사 스토퍼 사이에 공극이 생기는 위치를 정해서는 안 됩니다.

경고

공작물의 위치가 올바르지 않을 경우 발생하는 부상 위험. 공작물이 올바른 위치에 설치되지 않을 경우 톱날이 기울어져 반동이 발생할 수 있습니다.

- ▶ 공작물은 항상 회전 플레이트, 지지대 및 경사 스토퍼와 최대한 많은 접촉면을 확보하도록 위치를 정하십시오.

경고

공작물이 고정되지 않은 경우 발생하는 부상 위험! 공작물이 경사 스토퍼에 제대로 고정되지 않을 경우 절단 중에 공작물이 움직여 톱날이 손상되며, 이로 인해 공작물이 튕겨 나가고 제어력이 상실될 수 있습니다.

- ▶ 모든 작업 중에는 나사 클램프를 사용하여 공작물을 회전 플레이트와 경사 스토퍼에 단단히 고정하십시오.

경고

톱 구성 부품과 나사 클램프의 접촉으로 인한 부상 위험! 톱날이 나사 클램프에 닿으면 손상될 수 있습니다. 안전 장치가 나사 클램프로 인해 방해받으면 기능이 제한될 수 있습니다. 톱 헤드의 움직임이 나사 클램프로 인해 제한될 수 있으며, 이로 인해 반동이 발생할 수 있습니다.

- ▶ 톱의 전원이 꺼진 상태에서 예상되는 동작을 테스트하십시오. 톱의 어떤 부분도 나사 클램프에 닿지 않도록 하십시오.
- ▶ 필요한 경우 나사 클램프를 톱의 다른 위치로 옮기십시오.

- ▶ 나사 클램프 **(2)**의 잠금해제 버튼을 누른 뒤 나사봉을 끝까지 위로 당기십시오.

- ▶ 정해진 구멍 중 하나에 나사 클램프를 끼우십시오 **(1)**.

- ▶ 공작물을 아래쪽 경사 스토퍼에 대고 단단히 누르십시오.

- ▶ 나사 클램프의 잠금해제 버튼을 눌러 공작물에 따라 나사봉을 빠르게 조정하십시오 **(2)**.

- ▶ 나사 클램프를 나사봉의 위치와 반대인 뒤쪽으로 기울이십시오 **(3)**. 이어서 나사봉을 시계 방향으로 돌려서 단단히 조이고 공작물을 제자리에 고정하십시오 **(4)**.

- ▶ 공작물을 풀 때는 나사봉을 시계 반대 방향으로 돌리십시오. 이어서 나사 클램프의 잠금해제 버튼을 누른 뒤 나사봉을 스톱위치까지 위로 당기십시오.

6.9 속도 설정

- ▶ 속도 다이얼을 이용해 원하는 회전속도를 설정하십시오.

6.10 전원 켜기 / 끄기

경고

반동으로 인한 부상 위험.

- ▶ 톱날이 공작물에 닿지 않은 상태에서 톱의 전원을 켜십시오.



⚠ 경고

반동으로 인한 부상 위험.

- ▶ 전원을 끈 후 톱날이 정지할 때까지 톱 헤드를 가장 낮은 위치에 두십시오.

1. 스위치ON로크를 계속해서 길게 누르십시오.
2. ON/OFF 스위치를 계속해서 길게 누르십시오.
 - ▶ 톱이 작동합니다.
3. 톱의 전원을 끄려면, ON/OFF 스위치에서 손을 떼십시오.

6.11 톱 작업 15

⚠ 경고

손과 팔의 잘못된 위치로 인한 부상 위험. 위치가 잘못되면 작동하는 톱날이 팔과 손에 닿아서 심각한 부상을 입을 수 있습니다.

- ▶ 절단 작업을 할 때 절대로 팔을 교차시키지 마십시오. 절대로 팔이나 손이 절단선을 넘는 일이 없도록 하십시오.
- ▶ 팔과 손은 톱날 좌우에 표시된 위험 영역 밖에 두십시오.

미터 쏘로 작업할 때 몸과 손을 올바르게 유지하면 더욱 쉽고 정확하며 안전하게 절단을 진행할 수 있습니다. 두 발로 바닥 위에 균건하게 서서 균형을 유지하십시오. 미터 암을 좌우로 움직일 때 이를 따라서 약간 톱날의 측면에 서십시오.

톱날의 좌측 230 mm(9인치), 우측 270 mm(10.4인치)의 위험 영역을 비워 두십시오. 손, 팔 및 기타 신체 부위를 이 위험 영역으로부터 멀리 두십시오.

ON/OFF 스위치에서 손을 떼고 톱날이 완전히 멈출 때까지 손은 제자리를 유지하십시오.



톱 헤드를 조심스럽게 아래로 눌러 절단을 진행하십시오. 절단선에 과도한 압력을 가하거나 가로 방향으로 힘을 가할 경우 톱날이 진동하여 공작물에 추가적인 톱 자국이 생기고 절단 정확도가 떨어질 수 있습니다.

6.11.1 미는 동작 없이 절단하기(트리밍)

⚠ 경고

풀아웃을 잠그지 않을 경우 발생하는 부상 위험. 풀아웃을 잠그지 않을 경우 톱 헤드가 예기치 않게 미끄러져 반동이 발생할 수 있습니다.

- ▶ 크로스 컷을 진행할 때는 항상 풀아웃을 잠그십시오.

1. 톱 헤드를 뒤쪽으로(사용자에게서 먼 쪽으로) 끝까지 미십시오.
2. 풀아웃을 잠그십시오. → 페이지 290
3. 톱 헤드를 내릴 때 깊이 게이지가 구멍을 통과하도록 깊이 게이지의 정지판을 조정하십시오. → 페이지 290
4. 톱의 모든 설정(각도, 경사 스토퍼, 접촉면)을 작업할 절단 과제의 요건에 따라 조정하십시오.
5. 공작물을 고정시키십시오. → 페이지 292
6. 톱의 전원을 켜십시오. → 페이지 292
7. 톱 헤드를 천천히 뒤로 이동시키고 균일한 전진 속도로 공작물을 절단하십시오.
8. 톱의 전원을 끄고 톱날이 정지할 때까지 기다리십시오.
9. 톱 헤드를 다시 위쪽 위치로 이동시키십시오.

6.11.2 미는 동작으로 절단하기

⚠ 경고

톱 헤드의 잘못된 동작으로 인한 반동. 미는 동작으로 절단할 때 톱 헤드가 잘못 움직이면 반동이 일어날 수 있습니다.

- ▶ 절단하기 전에 항상 톱 헤드를 먼저 완전히 빼고 내린 다음, 경사 스토퍼 방향으로 미십시오.
- ▶ 톱날이 이미 공작물에 들어가 있을 경우 절대로 톱 헤드를 사용자 쪽으로 당기지 마십시오.



미는 동작으로 절단할 때는 톱 헤드를 경사 스토퍼까지 멈추지 말고 부드럽게 밀어 주십시오. 절단 중에 미는 동작이 중단되면 톱날이 공작물에 자국을 남기고 절단 정확도가 저하됩니다.

1. 필요한 경우 풀아웃을 푸십시오. → 페이지 290



2. 톱 헤드를 내릴 때 깊이 게이지가 구멍을 통과하도록 깊이 게이지의 정지판을 조정하십시오. → 페이지 290
3. 톱의 모든 설정(각도, 경사 스토퍼, 접촉면)을 작업할 절단 과제의 요건에 따라 조정하십시오.
4. 공작물을 고정시키십시오. → 페이지 292
5. 톱 헤드를 사용자 쪽으로 완전히 당기십시오.
6. 톱의 전원을 켜십시오. → 페이지 292
7. 톱 헤드를 천천히 아래로 내리십시오.
8. 톱 헤드를 가장 아래쪽 위치에 두고 천천히 뒤쪽으로 미십시오(사용자에게서 먼 쪽으로). 균일한 전진 속도로 공작물을 절단하십시오.
9. 톱의 전원을 끄고 톱날이 정지할 때까지 기다리십시오.
10. 톱 헤드를 다시 위쪽 위치로 이동시키십시오.

6.11.3 홈 절단

1. 깊이 게이지를 원하는 절단 깊이로 설정하십시오. → 페이지 290
2. 미는 동작으로 절단을 진행하십시오. → 페이지 293

6.11.4 물딩 절단 **T6**



경고

공작물을 올바르게 고정하지 않을 경우 발생하는 부상 위험. 공작물을 올바르게 고정하지 않을 경우 톱날이 기울어져 반동이 발생할 수 있습니다.

- ▶ 물딩을 경사 스토퍼에 대고 설치할 경우, 특히 물딩이 움직이지 않도록 충분히 고정되는지 유의하십시오. → 페이지 292

물딩은 다음 두 가지 방법으로 절단할 수 있습니다.

- 경사 스토퍼에 대고 설치
- 톱 테이블 위에 평평하게 놓혀서 설치
- ▶ 각 물딩의 폭에 따라 미는 동작을 하거나 하지 않은 채로 절단하십시오.
- ▶ 먼저 설정된 수평 마이터 각도 및/또는 수직 배벨 각도를 폐기할 목재 조각으로 테스트하십시오.

7 관리 및 유지보수



경고

배터리가 끼워진 상태에서 부상 위험!

- ▶ 관리 및 수리 작업을 진행하기 전에 항상 배터리를 제거하십시오!

제품 관리

- 공구에 부착되어 있는 오염물질을 조심스럽게 제거하십시오.
- 부드러운 마른 솔로 환기 슬롯을 조심스럽게 청소하십시오.
- 약간 물기가 있는 수건으로만 하우징을 청소해 주십시오. 플라스틱 부품을 손상시킬 수 있으므로 절대로 실리콘이 함유된 보호제를 사용하지 마십시오.
- 제품의 접점을 청소하려면 깨끗하고 마른 천을 사용하십시오.
- 당기는 부분과 보조 지지대의 슬라이드 레일을 정기적으로 청소하십시오. 청소 후에는 항상 모든 슬라이드 레일 위에 몇 방울의 오일을 떨어뜨리십시오.
- 위쪽 경사 스토퍼의 접촉면을 정기적으로 청소하십시오. 필요에 따라 접촉면에 그리스를 바르십시오.

리튬 이온 배터리 관리

- 환기 슬롯이 막힌 상태에서는 절대 배터리를 사용하지 마십시오. 부드러운 마른 솔로 환기 슬롯을 조심스럽게 청소하십시오.
- 배터리에 불필요하게 먼지 또는 오염물에 노출되지 않도록 하십시오. 배터리를 절대 습도가 높은 곳에 두지 마십시오(예: 물 속에 담그거나 비내리는 곳에 두는 행위).
배터리에 물이 들어가면, 손상된 배터리처럼 취급하십시오. 물이 들어간 배터리는 비가연성 용기에서 절연시킨 후, Hilti 서비스 센터에 문의해 주십시오.
- 배터리를 외부 오일 및 그리스가 묻지 않도록 깨끗하게 유지하십시오. 배터리에 불필요하게 먼지 또는 오염물이 쌓이지 않도록 하십시오. 배터리를 부드러운 마른 솔 또는 깨끗하고 마른 걸레로 닦아내십시오. 플라스틱 부품을 손상시킬 수 있으므로 절대로 실리콘이 함유된 보호제를 사용하지 마십시오.
배터리의 접점에 접촉하지 말고, 접점에서 공구축에 부착된 그리스를 제거하지 마십시오.
- 약간 물기가 있는 수건으로만 하우징을 청소해 주십시오. 플라스틱 부품을 손상시킬 수 있으므로 절대로 실리콘이 함유된 보호제를 사용하지 마십시오.



유지보수

- 눈에 보이는 모든 부품은 정기적으로 손상 여부를 점검하고, 조작용소가 문제 없이 작동하는지 점검하십시오.
- 손상되었거나 기능 장애가 있는 경우에는 제품을 작동하지 마십시오. 즉시 Hilti 서비스 센터에 제품 수리를 의뢰하십시오.
- 관리 및 수리 작업 후 모든 보호장치를 가져와 기능에 이상이 없는지 점검하십시오.

안전하게 작동하기 위해서는 순정품 예비 부품 및 소모품만 사용하십시오. Hilti에서 승인한 예비 부품, 소모품 및 액세서리는 **Hilti Store** 또는 **www.hilti.group**

7.1 보호장비 청소

1. 톱날을 분리하십시오. → 페이지 290
2. 마른 솔로 보호장비를 조심스럽게 청소하십시오.
3. 적절한 도구를 가지고 보호장비 내부의 침전물과 부스러기를 제거하십시오.
4. 톱날을 장착하십시오. → 페이지 289

7.2 흡입 어댑터 및 연결 호스 청소

1. 먼지 포집 백 또는 연결된 먼지 제거기의 흡입 호스를 제거하십시오.
2. 톱 헤드 (1)에 있는 연결 호스의 고정 나사를 푸십시오.
3. 연결 호스를 톱 헤드 (2) 및 흡입 어댑터에서 분리하십시오.
4. 연결 호스를 비우고 마른 솔로 청소하십시오.
5. 마른 솔로 톱 헤드의 절단 부스러기 채널과 흡입 어댑터를 청소하십시오.
6. 연결 호스를 다시 흡입 어댑터 및 톱 헤드 위에 끼우십시오.
7. 톱 헤드 부분에 있는 연결 호스의 고정 나사를 조이십시오.
8. 먼지 포집 백을 조립하거나 먼지 제거기를 다시 연결하십시오. → 페이지 289

7.3 먼지 포집 백 비우기

1. 먼지 포집 백을 흡입 어댑터에서 분리하십시오.
2. 먼지 포집 백의 지퍼를 열고 내용물을 올바르게 폐기하십시오.
3. 먼지 포집 백의 지퍼를 닫으십시오.
4. 먼지 포집 백을 흡입 어댑터에 다시 장착하십시오. → 페이지 289

7.4 설정 및 표시기 확인 및 보정

마이터 쓰는 공장 초기 설정 시 세심하게 설정 및 보정되었습니다. 그럼에도 불구하고 제품을 강도 높게 사용하거나 거칠게 취급했을 때는 톱의 설정 및 표시기를 점검하고 보정을 진행해야 할 수도 있습니다.

톱을 점검하고 보정할 경우에는 작업 경험이 있어야 하고, 특수 공구가 필요합니다.

Hilti 톱 제품은 Hilti 서비스 센터를 통해서만 보정할 것을 권장합니다.

모든 테스트 및 설정 작업 중에는 각도 게이지가 톱니 끝부분에 접촉해서는 안 됩니다. 이 경우 측정 오류가 발생할 수 있습니다. 각도 게이지는 항상 톱날과 일치해야 합니다.

7.4.1 수직 베벨 각도 점검

1. 톱 헤드를 뒤쪽으로(사용자에게서 먼 쪽으로) 끝까지 미십시오.
2. 톱 헤드를 내릴 때 깊이 게이지가 구멍을 통과하도록 깊이 게이지의 정지판을 조정하십시오. → 페이지 290
3. 수평 마이터 각도를 0°로 설정하십시오.
4. 톱 헤드를 아래로 누르고 안전 운반 장치를 밀어서 톱 헤드를 로크하십시오.
5. 수직 베벨 각도를 0°로 설정하십시오.
6. 각도 게이지를 90°로 설정하십시오.
7. 각도 게이지를 톱 테이블과 수평 상태가 되도록 그 위에 수직으로 설치하십시오.
8. 각도 게이지를 톱날 쪽으로 옮기십시오.
 - ▶ 각도 게이지는 톱날과 전체적인 선상에서 수평이 되어야 합니다.
9. 수직 베벨 각도를 우측 45°로 설정하십시오.
10. 각도 게이지를 45°로 설정하십시오(대안으로 좌측에서 측정하기 위해 135°로 설정).
11. 각도 게이지를 톱 테이블과 수평 상태가 되도록 그 위에 수직으로 설치하십시오.



12. 각도 게이지를 톱날 쪽으로 옮기십시오.
 - ▶ 각도 게이지는 톱날과 전체적인 선상에서 수평이 되어야 합니다.
13. 수직 베벨 각도 좌측 45°를 위해 절단을 반복하십시오.

결과 1/2

각도 게이지는 세 번의 모든 측정에서 톱날과 수평이 되어야 합니다.

- ▶ 톱이 올바르게 보정되지 않았습니다.

결과 2/2

한 번의 측정 또는 다수의 측정에서 각도 게이지와 톱날이 수평 상태가 아닙니다.

- ▶ **Hilti** 서비스 센터에 문의해 주십시오.

7.4.2 수직 베벨 각도 바늘 보정

1. 수직 베벨 각도의 정확도를 점검하십시오. → 페이지 295
2. 수직 베벨 각도를 0°로 설정하십시오.
3. 수직 베벨 각도 바늘의 고정 나사를 풀고 이를 표시기 0°로 정확하게 설치하십시오.
4. 고정 나사를 다시 손으로 단단히 조이십시오. 동시에 바늘을 정확하게 표시기 0°로 유지하십시오.
5. 필요한 경우 수직 베벨 각도의 두 번째 바늘에 대해서도 이 단계를 반복하십시오.
6. 실제 수직 베벨 각도 및 우측 45° 각도와 좌측 45° 각도의 두 바늘이 일치하는지 점검하십시오.
 - ▶ 점검 시 하나 또는 여러 위치에서 바늘이 실제 각도와 일치하지 않고 보정이 충분히 이루어지지 않을 경우, **Hilti** 서비스 센터로 연락하십시오.

7.4.3 수평 마이터 각도 점검

1. 톱 헤드를 뒤쪽으로(사용자에게서 먼 쪽으로) 끝까지 미십시오.
2. 톱 헤드를 내릴 때 깊이 게이지가 구멍을 통과하도록 깊이 게이지의 정지판을 조정하십시오. → 페이지 290
3. 수직 베벨 각도를 0°로 설정하십시오.
4. 톱 헤드를 아래로 누르고 안전 운반 장치를 밀어서 톱 헤드를 로크하십시오.
5. 수평 마이터 각도를 0°로 설정하십시오.
6. 각도 게이지를 90°로 설정하십시오.
7. 각도 게이지를 톱 테이블 위에 평평하게 올려 경사 스톱퍼와 수평이 되게 하십시오.
8. 각도 게이지를 톱날 쪽으로 옮기십시오.
 - ▶ 각도 게이지는 톱날과 전체적인 선상에서 수평이 되어야 합니다.
9. 수평 마이터 각도를 우측 45°로 설정하십시오.
10. 각도 게이지를 45°로 설정하십시오(대안으로 좌측에서 측정하기 위해 135°로 설정).
11. 각도 게이지를 톱 테이블 위에 평평하게 올려 경사 스톱퍼와 수평이 되게 하십시오.
12. 각도 게이지를 톱날 쪽으로 옮기십시오.
 - ▶ 각도 게이지는 톱날과 전체적인 선상에서 수평이 되어야 합니다.
13. 수평 마이터 각도 좌측 45°를 위해 절단을 반복하십시오.

결과 1/2

각도 게이지는 세 번의 모든 측정에서 톱날과 수평이 되어야 합니다.

- ▶ 톱이 올바르게 보정되지 않았습니다.

결과 2/2

한 번의 측정 또는 다수의 측정에서 각도 게이지와 톱날이 수평 상태가 아닙니다.

- ▶ 수평 마이터 각도를 조정하거나 **Hilti** 서비스 센터로 연락하십시오. → 페이지 296

7.4.4 수평 마이터 각도 및 눈금 보정

1. 회전 플레이트를 0° 위치에 맞물려 고정시키십시오.
2. 회전 플레이트의 잠금 노브를 푸십시오.
3. 수평 마이터 각도의 눈금에서 4개의 고정 나사를 푸십시오.
4. 각도 게이지를 90°로 설정하십시오.
5. 각도 게이지를 톱 테이블 위에 평평하게 올려 경사 스톱퍼와 수평이 되게 하십시오.
6. 각도 게이지를 톱날 쪽으로 옮기십시오. 수평 마이터 각도의 눈금을 포함한 회전 플레이트를 각도 게이지에 따라 보정하십시오.
 - ▶ 각도 게이지는 톱날과 전체적인 선상에서 수평이 되어야 합니다.
7. 회전 플레이트의 잠금 노브를 단단히 조여 회전 플레이트의 움직임을 방지하십시오.
8. 수평 마이터 각도의 눈금에서 4개의 고정 나사를 단단히 조이십시오.



9. 수평 마이터 각도 우측 45° 및 좌측 45°를 점검하십시오. → 페이지 296

결과 1 / 2

각도 게이지는 수평 마이터 각도 우측 45° 및 좌측 45°일 때 톱날과 전체 선상에서 수평이 됩니다.

▶ 톱이 올바르게 보정되지 않았습니다.

결과 2 / 2

한 번의 측정 또는 다수의 측정에서 각도 게이지와 톱날이 수평 상태가 아닙니다.

▶ **Hilti** 서비스 센터에 문의해 주십시오.

7.4.5 수평 마이터 각도 바늘 보정 21

1. 수평 마이터 각도의 정확도를 점검하십시오. → 페이지 296

2. 필요한 경우 수평 마이터 각도를 보정하십시오. → 페이지 296

3. 수평 마이터 각도를 0°로 설정하십시오.

4. 수평 마이터 각도 바늘의 고정 나사를 풀고 이를 표시기 0°로 정확하게 설치하십시오.

5. 고정 나사를 다시 손으로 단단히 조이십시오. 동시에 바늘을 정확하게 표시기 0°로 유지하십시오.

6. 필요한 경우 두 번째 수평 마이터 각도 바늘에 대해서도 이 단계를 반복하십시오.

7. 실제 수평 마이터 각도 및 우측 45° 각도와 좌측 45° 각도의 두 바늘이 일치하는지 점검하십시오.

▶ 점검 시 하나 또는 여러 위치에서 바늘이 실제 각도와 일치하지 않고 보정이 충분히 이루어지지 않을 경우, **Hilti** 서비스 센터로 연락하십시오.

7.5 먼지 포집기 교체 22

⚠ 경고

잘못 장착된 디플렉터로 인한 부상 위험. 디플렉터를 잘못된 방향으로 장착하면, 톱날이 끼일 수 있습니다. 디플렉터 또는 톱날이 파손되어 일부가 튕겨 나갈 수 있습니다.

▶ 디플렉터를 장착할 때 올바른 방향으로 설치되었는지 확인하십시오. 디플렉터의 스프링 부분이 톱날 반대 쪽을 향하고 있어야 합니다.

1. 한쪽 면의 고정 나사 (1)을 풀고 디플렉터 (3)을 분리하십시오.

2. 반대쪽 면의 고정 나사를 풀고 두 번째 디플렉터 및 먼지 포집기 (2)를 분리하십시오.

3. 새 먼지 포집기 (2) 및 디플렉터 (3)을 설치하십시오.

▶ 디플렉터의 정확한 위치 설정에 유의하십시오.

4. 양쪽 부품을 고정 나사로 조이십시오.

5. 반대쪽 면의 두 번째 디플렉터와 먼지 포집기를 단단히 조이십시오.

▶ 디플렉터의 정확한 위치 설정에 유의하십시오.

▶ 먼지 포집기 및 양쪽 디플렉터가 안전하게 고정되었는지 확인하십시오.

7.6 슬롯 플레이트 교체 23

슬롯 플레이트는 공장 초기 설정에서 톱날에 닿지 않도록 설정되어 있습니다. 그럼에도 불구하고 슬롯 플레이트는 어느 정도 마모가 발생할 수 있습니다. **Hilti**는 슬롯 플레이트를 교환 부품으로 제공하고 있습니다. 사용자가 빠르고 간편하게 교체할 수 있습니다.

1. 슬롯 플레이트의 모든 고정 나사들을 풀고 마모된 슬롯 플레이트를 제거하십시오.

2. 새 슬롯 플레이트를 삽입하십시오.

3. 고정 나사를 느슨하게 풀어서 슬롯 플레이트가 아직 움직일 수 있도록 하십시오.

4. 톱날에 닿는 일이 없도록 슬롯 플레이트의 위치를 설정하십시오.

▶ 특히 우측과 좌측의 최대 수직 베벨 각도를 점검하십시오.

▶ 기타 모든 수평 및 수직 베벨 각도를 점검하십시오.

5. 설정을 한 후에는 고정 나사를 손으로 단단히 조이십시오.

8 충전 공구 및 배터리 운반 및 보관 24, 25

마이터 쏘 운반

톱을 운반하기 전에 다음 단계를 진행하십시오.

▶ 톱 헤드를 뒤쪽으로(사용자에게서 먼 쪽으로) 끝까지 미십시오.

▶ 풀아웃을 잠그십시오. → 페이지 290

▶ 톱 헤드를 내릴 때 깊이 게이지가 구멍을 통과하도록 깊이 게이지의 정지판을 조정하십시오. → 페이지 290

▶ 수직 베벨 각도를 0°로 설정하십시오.

▶ 톱 헤드를 아래로 누르고 안전 운반 장치를 밀어서 톱 헤드를 로크하십시오.



- ▶ 필요에 따라 보조 지지대를 안쪽으로 끝까지 밀어 넣으십시오. → 페이지 290
- ▶ 수평 마이터 각도를 우측 스톱 위치(60°)로 설정한 후 회전 플레이트를 고정하십시오.
- ▶ 단단하게 장착되지 않는 모든 부품(예: 나사 클램프)을 제거하십시오.
- ▶ 필요한 경우 잠금 노브를 제거하고 위쪽 경사 스톱퍼의 뒷면에 있는 홀더 중 하나에 고정하십시오.

톱은 다음의 정해진 위치만 잡고 운반하십시오.

- 보조 지지대 아래쪽의 리세스 그림 (1)
- 먼지 포집장치 옆쪽 뒷면의 리세스 그림 (2)
- 톱 헤드 부분의 손잡이 (3)

배터리 운반

주의

운반 시 돌발적으로 작동됨!

- ▶ 제품은 항상 배터리를 장착하지 않은 상태로 운반하십시오!
- ▶ 배터리를 분리하십시오.
- ▶ 배터리를 고정하지 않은 채로 운반해서는 절대 안 됩니다. 운반하는 도중 배터리에 과도한 충격을 받거나 진동이 발생하지 않게 하고 모든 전도성 소재 또는 다른 배터리로부터 분리시켜 다른 배터리 전극에 닿지 않고 단락이 발생하지 않게 하십시오. 배터리와 관련된 현저한 운반 규정에 유의하십시오.
- ▶ 배터리는 우편을 통해 전달할 수 없습니다. 손상이 없는 배터리를 전송하고자 하는 경우 배송업체에 문의하십시오.
- ▶ 제품 및 배터리를 사용하기 전에 그리고 장시간 운반한 후에는 항상 손상 여부를 점검하십시오.

보관

경고

배터리 결함 또는 방전으로 인한 돌발적인 손상!

- ▶ 제품은 항상 배터리를 장착하지 않은 상태로 보관하십시오!
- ▶ 제품 및 배터리를 냉각 및 건조시켜 보관하십시오. 기술자료에 제시된 허용 온도 한계값에 유의하십시오.
- ▶ 배터리를 충전기에 보관하지 마십시오. 충전 후에는 항상 배터리를 충전기에서 분리하십시오.
- ▶ 배터리는 절대 직사광선이 들어오는 곳, 열원 위 또는 유리 뒤쪽에 보관하지 마십시오.
- ▶ 제품 및 배터리는 건조한 상태로 어린이나 외부인의 손이 닿지 않는 곳에 보관하십시오.
- ▶ 제품 및 배터리를 사용하기 전에 그리고 장시간 보관한 후에는 항상 손상 여부를 점검하십시오.

9 문제 발생 시 도움말

문제 발생 시 항상 배터리 상태 표시기를 확인하십시오. 리튬이온 배터리 표시 단원을 참조하십시오. 본 도표에 제시되어 있지 않거나 스스로 해결할 수 없는 문제가 발생한 경우 Hilti 서비스 센터에 문의해 주십시오.

장애	예상되는 원인	해결책
회전속도가 갑자기 떨어짐.	배터리를 방전시키십시오.	▶ 배터리를 충전하십시오.
	이송력 너무 높음.	▶ 이송력을 줄이고 제품의 전원을 다시 켜십시오.
톱날이 움직이지 않음.	이송력 너무 높음.	▶ 이송력을 줄이고 제품의 전원을 다시 켜십시오.
모터의 제동 기능 없음.	배터리를 방전시키십시오.	▶ 배터리를 충전하십시오.
절단 각도가 정확하지 않습니다.	각도 정확도, 눈금 또는 바늘이 잘못 설정됨.	▶ 설정과 표시기를 확인하고 조정하십시오. → 페이지 295 ▶ 자체적으로 설정을 조정할 수 없거나 톱의 정확도가 심하게 벗어나는 경우, Hilti 서비스 센터로 연락하십시오.
배터리의 LED에서 아무런 표시가 없음	배터리 결함	▶ Hilti 서비스 센터에 문의해 주십시오.



10 폐기

경고

부적절한 폐기로 인한 부상 위험! 새어나오는 가스 또는 용액으로 인한 건강상의 위험.

- ▶ 손상된 배터리는 전달하지 마십시오!
- ▶ 비전도성 소재로 연결 단자를 막아 두어 단락이 발생하지 않게 하십시오.
- ▶ 배터리가 어린이의 손에 닿지 않도록 폐기하십시오.
- ▶ Hilti Store에서 배터리를 폐기하거나 또는 담당 폐기물 처리 업체에 문의하십시오.

Hilti 제품은 대부분 재사용이 가능한 소재로 제작되었습니다. 재활용을 위해 개별 부품을 분리하여 주십시오. Hilti는 대부분의 국가에서 재활용을 위해 노후기기를 수거해 갑니다. Hilti 고객 서비스 센터 또는 판매 담당자에게 문의하십시오.



- ▶ 전동 공구, 전자기 기기 및 배터리를 일반 가정 쓰레기로 폐기하지 마십시오!

11 제조회사 보증

- ▶ 보증 조건에 관한 질문사항은 현지 Hilti 파트너사에 문의하십시오.

12 기타 정보

작동법, 기술, 환경 및 재활용에 대한 세부 정보는 다음 링크에서 확인할 수 있습니다:

qr.hilti.com/manual/?id=2395172&id=2395174

해당 링크는 본 사용 설명서 끝에 QR 코드 형식으로도 제시되어 있습니다.

原始操作說明

1 關於操作說明的資訊

1.1 關於本操作說明

- 注意！在使用本產品之前，請確保您已閱讀並瞭解產品隨附的操作說明書，包括說明、安全性和警示注意事項、圖解和規格。尤其是熟悉所有說明、安全性和警示注意事項、圖解、規格、組件和功能。若未遵守，可能會導致觸電、火災和/或嚴重傷害的風險。妥善保存操作說明書，包括所有說明、安全性和警示注意事項，以備日後使用。
- 隨附的操作說明書符合印刷時的最新技術水準。您隨時可在Hilti產品頁面上尋找最新版本。為此，請點選操作說明書中標示 符號的連結或QR碼。
- 將產品交予他人時，必須連同本操作說明書一併轉交。

僅適用於台灣

進口商: 喜利得股份有限公司

地址: 新北市板橋區

新站路16號24樓22041

電話: 0800-221-036

1.2 已使用的符號解釋

1.2.1 警告

警告您在操作或使用本產品時可能發生之危險。採用了以下標示文字：

危險

危險！

- ▶ 此標語警示會發生對人造成嚴重傷害甚至致死的危險情形。

警告

警告！

- ▶ 此標語警示會造成嚴重傷害甚至致死危險的潛在威脅。



2395174

注意

注意！

▶ 請小心會造成人員受傷或對設備及其他財產造成損害的潛在危險情況。

1.2.2 操作說明中的符號

本操作說明中採用以下符號：

	請遵照操作說明
	使用說明與其他資訊
	處理可回收的材料
	不可將電子設備與電池當作家庭廢棄物處置
	Hilti 鋰電池
	Hilti 充電器

1.2.3 圖解中的符號

圖解中採用了以下符號：

	號碼對應操作說明的開始處的圖解。
	圖解中的編號表示重要的工作步驟或對工作步驟重要的元件。在文字中，這些工作步驟或元件以對應的數字明顯顯示，例如(3)。
	概覽圖解中使用位置編號，方便您對應到產品概覽段落中的圖例編號。
	本符號是為了讓您在操作本產品時可以注意某些重點。

1.3 產品專屬符號

1.3.1 一般符號

與產品相關的符號。

	本產品支援近距離無線通訊 (NFC) 技術，其相容於iOS及Android平台。
	直流電 (DC)
n_0	無負載下額定轉速
	直徑
	鋸片規格
	請勿直視光源。
Li-Ion	鋰電池
	請勿以任何物品敲擊電池和將電池作為敲擊工具使用。
	避免電池掉落。不得使用曾遭受衝擊或因其他原因受損的電池。

1.3.2 禁止符號

禁止符號表示禁止的行為。

	危險區域！請將您的手、手指和手臂避開該區域。
--	------------------------



1.3.3 強制標誌

強制標誌表示具有強制性的行為。

	佩戴耳罩
	佩戴護目鏡

1.4 產品資訊

HILTI 產品是針對專業使用者設計，故僅經訓練、認可的人員可操作、維修與維護本產品。必須告知上述人員關於可能遭遇到的特殊危險。若因未經訓練人員操作錯誤或未依照其原本的用途操作，則本產品和它的輔助工具設備有可能會發生危險。

類型名稱和序號都標示於額定銘牌上。

- ▶ 在下方表格中填入序號。與Hilti維修中心或當地Hilti機關聯絡查詢產品相關事宜時，我們需要您提供產品詳細資訊。

產品資訊

充電式斜角斜斷鋸	SM 60-22
產品代別	01
序號	

1.5 符合聲明

基於製造商唯一的責任，本公司在此聲明本產品符合適用法規及標準。本文件結尾處有符合聲明之副本。

技術文件已歸檔：

Hilti Entwicklungsgesellschaft mbH | Tool Certification | Hiltistrasse 6 | D-86916 Kaufering, Germany

2 安全性

2.1 一般電動機具安全警告

⚠ 警告 請詳閱本電動機具提供的所有安全警告、指示、圖解和說明。未能遵守以下所有指示可能會造成電擊事故、火災和/或嚴重的傷害。

妥善保存所有警告及說明，以供將來參考。

注意事項中的「機具」係指使用電源（有線）或電池（無線）的電動機具。

工作區域安全

- ▶ 請保持工作區的清潔與採光充足。雜亂而昏暗的工作區會導致意外發生。
- ▶ 勿在容易發生爆炸的環境中使用機具，例如有可燃性液體、瓦斯或粉塵存在的環境。機具產生的火花可能會引燃塵埃或煙霧。
- ▶ 操作機具時，請與兒童及旁人保持距離。注意力不集中時容易發生失控的情形。

電力安全

- ▶ 機具插頭與插座須能互相搭配。勿以任何方式改裝插頭。勿將任何變壓器插頭和與地面接觸（接地）的電動機具搭配使用。未經改裝的插頭以及能互相搭配的插座可減少發生電擊的危險。
- ▶ 避免讓身體碰觸到如管線、散熱器、爐灶與冰箱等與土地或地表接觸之物品。如果您的身體接觸到地表或地面，將增加電擊的危險。
- ▶ 請勿將機具暴露在下雨或潮濕的環境中。若水氣進入機具中將增加觸電的危險。
- ▶ 勿濫用電纜線。勿以電纜線吊掛、拖拉機具或拔下機具插頭。電纜線應避開熱氣、油、銳利的邊緣或移動性零件。電纜線損壞或纏繞會增加發生電擊事故的危險。
- ▶ 於室外操作機具時，須使用適用於戶外的延長線。使用適合戶外使用的延長線可降低觸電的風險。
- ▶ 如果無法避免在潮濕的地點操作機具，請使用漏電斷路器（RCD）保護電源供應器。使用漏電斷路器（RCD）可降低電擊的風險。

人員安全

- ▶ 操作機具時，請提高警覺，注意進行中的工作並善用常識。感到疲勞或受到藥物、酒精或治療的影響時勿使用機具。操作機具時稍不留神就可能造成嚴重的人員傷亡。
- ▶ 穿戴個人防護裝備。請隨時穿戴眼罩。適當使用防塵面罩、防滑鞋、安全帽及耳罩等安全防護配備可減少人員的傷害。
- ▶ 避免不經意的啟動。在接上電源或電池組、抬起或攜帶機具之前，務必確認開關處於關閉的位置。攜帶機具時，如果把手指放在開關上，或在開關開啟時，將機具插上插頭容易發生意外。



- ▶ 啟動機具前，應將所有調整鑰匙或扳手移開。將扳手或鑰匙留在機具的旋轉零件中可能會造成人員傷害。
- ▶ 勿將手伸出過遠。隨時站穩並維持平衡。這可讓您在意外情況發生時，對機具有較好的控制。
- ▶ 穿著適當服裝。請勿穿著寬鬆的衣服或佩戴珠寶。頭髮、衣服與手套應遠離移動性零件。移動性零件可能會夾到寬鬆的衣服、珠寶或長髮。
- ▶ 如果機具可連接吸塵裝置與集塵設備，請連接並適當使用這些設備。使用集塵裝置可降低與粉塵有關的危險。
- ▶ 請勿因頻繁而習慣使用機具便疏於遵守或忽略機具的安全規範。草率使用可能在轉眼間便造成嚴重的傷害。

機具使用與保養

- ▶ 不可強制使用機具。依據用途使用正確的機具。根據設計的速率使用機具可更快速安全地完成工作。
- ▶ 若開關無法啟動或關閉電動工具時，請勿使用電動工具。任何無法以開關控制的機具都很危險且需要維修。
- ▶ 在進行任何調整、更換配件、或貯放電動機具前，請先將插頭拔離插座和 / 或將電池組自電動機具卸下（如可拆卸）。此預防安全措施可降低機具意外啟動的風險。
- ▶ 將閒置的機具貯放在兒童拿不到的地方，勿讓不熟悉或未詳閱本說明的人員操作本機具。機具在未經訓練的使用者手中是很危險的。
- ▶ 維護機具與配件。請檢查移動性零件有無偏移或黏合的情形、零件有無破損，以及任何會影響機具運轉的狀況。如果機具受損，請先維修後再使用。很多意外便是由維護不當的機具造成的。
- ▶ 保持切割機具的銳利與清潔。具銳利切割邊緣的切割機具如果得到適當的維護，便較不會發生黏合的現象，且較容易控制。
- ▶ 遵守本指示說明使用機具、配件和工具組等，並考量工作條件與待進行的工作。將機具用在原目的外之用途可能會造成危險。
- ▶ 保持握把與其表面的乾燥、清潔且不要讓上面出現油漬。握把及其表面濕滑會在意外情況中造成機具無法安全掌控。

電池機具的使用與保養

- ▶ 務必使用原廠指定的充電器進行充電。將適合特定類型電池的充電器使用在其他電池時，會有造成火災的危險。
- ▶ 務必使用機具特別指定的電池匣。使用其他的電池匣可能會造成受傷或火災。
- ▶ 電池匣未使用時，請將其遠離迴紋針、錢幣、鑰匙、針、固定釘或其他會在電池兩極間形成連結的小型金屬物件。在電池兩極間建立短路可能會造成灼傷或火災。
- ▶ 若使用不當，可能有液體由電池流出；請避免接觸該液體。若不慎接觸，請以清水沖洗。如果不小心讓液體接觸到眼睛，請立即尋求醫療援助。從電池中滲出的液體，可能會導致過敏或灼傷。
- ▶ 請勿使用損壞或改裝過的電池組或機具。受損或改裝過的電池可能會無法正常運作而造成起火、爆炸或受傷的風險。
- ▶ 請勿將電池組或機具曝露在火源或極端的溫度環境中。曝露在火源或溫度超過130°C (265°F) 的環境下可能會造成爆炸。
- ▶ 請遵守充電操作說明且不要在說明所載的溫度範圍之外為電池組或機具充電。不當充電或在指定溫度範圍外充電均可能造成電池損壞並提高起火的風險。

維修服務

- ▶ 請將機具交給合格的維修人員進行維修，並使用相同的替代零件。這可確保維護機具安全。
- ▶ 請勿自行維修損壞的電池。損壞的電池僅可由製造商或授權的維修商進行維修。

2.2 斜角斜斷鋸安全須知

- ▶ 斜角斜斷鋸適用於切割木材或木類製品，不可用於切割鋼鐵材料，如條材、桿材、螺絲等。磨損性粉塵會導致如下方防護罩的活動部件受到阻塞。切割火花會燒壞下方防護罩、嵌補板和其他塑膠部件。
- ▶ 如情況許可，請使用夾鉗來固定工件。用手握住工件時，手與鋸片各側至少須保持100 mm (4 in) 的距離。請勿使用此電鋸切割太小而無法用手夾緊或握住的工件。若您的手離鋸片太近，則會提高因碰觸鋸片而受傷的風險。
- ▶ 工件必須固定不動，並夾緊或壓在擋塊和桌面上。請勿將工件推入鋸片，且切勿「徒手」切割。鬆脫或活動的工件可能會高速拋出並造成傷害。
- ▶ 將電鋸推過工件。請避免以拉鋸方式將電鋸切穿工件。要進行切割時，請抬起鋸頭並將其拉過工件，但不要切割。接著啟動馬達，往下旋轉鋸頭，並將電鋸切穿工件。進行拉鋸切割時，可能發生鋸片在工件上抬起以及鋸片機構猛烈拋向操作者的風險。
- ▶ 無論在鋸片前方還是後方，切勿將手跨過預定的切割線。以「交叉雙手」撐住工件，意即使用左手將工件握在鋸片右側或反過來的方式，危險性極高。
- ▶ 鋸片旋轉時，請勿將手伸到擋塊後方。手與旋轉鋸片之間的安全距離絕不可小於100 mm (4 in)，在鋸片雙側皆為如此，例如在清除木材廢料時。您可能不易察覺旋轉鋸片與您手的距離，您可能會受到嚴重傷害。



- ▶ 在切割前檢查工件。如果工件彎曲或歪曲，則將其向外彎曲的一側夾緊至擋塊。請始終確保沿著切割線、擋塊和桌台之間不可有間隙。彎曲或歪曲的工件可能會扭轉或移位，並導致旋轉的鋸片在切割時卡住。桌台內不得包含釘子或異物。
- ▶ 桌面上沒有工具或木屑之類物品時，才可使用電鋸；只有工件才可放置於桌台上。接觸到旋轉刀片的小碎片、鬆脫的木片或其他物品可能被高速拋飛。
- ▶ 每次只能切割一個工件。多層堆疊的工件無法正確夾緊或固定，可能會導致鋸片在鋸切時卡住或滑動。
- ▶ 使用前請確保斜角斜斷鋸位於平坦、結實的作業表面上。平坦而結實的作業表面可降低斜角斜斷鋸不穩定的風險。
- ▶ 規劃您的作業。每當您在調整鋸片傾斜度或斜鋸角時，請確保可調式擋塊已正確校正且支撐工件，使其不與鋸片或防護罩接觸。在不啟動機台且桌面上沒有工件的情況下，必須模擬鋸片的完整切割動作，以確保不造成阻礙或無切割到擋塊的風險。
- ▶ 對於比桌台頂面更寬或更長的工件，請提供足夠的支撐，例如桌台延長件或鋸架。如果沒有牢固的支撐，比斜角斜斷鋸桌台更長或寬的工件可能會翻倒。若已切割的木頭或工件翻傾，可能會抬起下方防護罩或失控地從旋轉鋸片上拋飛。
- ▶ 請勿委託他人做為桌台延長件或額外支撐的替代方式。若工件支撐不穩定，會導致鋸片卡住。工件在切割過程中也可能會移動，而將您和助手拉入旋轉的鋸片中。
- ▶ 不得將切割的工件壓向旋轉的鋸片。如果例如使用縱向擋塊而空間不足時，切割的工件可能會與鋸片互相卡住並猛烈拋飛。
- ▶ 一律使用夾鉗或適當的設備來妥善支撐例如桿材或管材等圓形材料。桿材在切割時往往會滾動而可能會導致鋸片「咬死」，您可用手將工件拉入鋸片中。
- ▶ 在切割工件之前，須讓鋸片達到全轉速。這可降低工件被拋出的風險。
- ▶ 若工件被夾住或鋸片卡住，請將斜角斜斷鋸關閉。等到所有活動部件完全靜止，拔出電源插頭和/或取出電池。接著移除被夾住的材料。如果在發生這種卡死情況時繼續鋸切，則可能會失去控制或損壞斜角斜斷鋸。
- ▶ 切割完成後，鬆開開關，保持鋸頭朝下並等待鋸片停止，接著再取出切割工件。將手伸向減速中的鋸片是極為危險的。
- ▶ 進行不完全切割，或在鋸頭到達底部位置前放開開關時，請牢牢握住握把。電鋸的減速作用可能會把鋸頭突然向下拉，因而導致受傷的危險。

2.3 其他安全須知

- ▶ 僅在本產品和配件能正常運轉時使用。
- ▶ 勿嘗試以任何方式改裝產品或配件。
- ▶ 掉落的工具和配件有導致受傷的危險。開始作業前，請確認電池和安裝的附件已確實固定。
- ▶ 打磨、切割和鑽孔時產生的粉塵可能含有危險的化學物質。例如：鉛或以鉛為基底的顏料；磚塊、混凝土和其他建材產品、天然石材和其他含矽酸鹽的產品；橡木、山毛櫸等特定木材以及化學處理的木材；石棉或含有石棉的物質。根據操作員工作時接觸的物質危險等級來決定操作員和其他人員暴露在該環境的程度。採取必要的措施，以將暴露相關條件維持在安全等級上，例如：使用吸塵系統或配戴合適的防護面罩。降低在該環境下的暴露程度的一般措施包括：
 - ▶ 工作區域保持良好通風
 - ▶ 避免長時間接觸粉塵
 - ▶ 清除臉部和身體上的粉塵
 - ▶ 穿著防護衣、用水和肥皂清洗裸露在外的身體部位
- ▶ 使用本產品時請配戴護目鏡、安全帽、耳罩和合適的防護面罩。
- ▶ 請經常休息，並活動您的手指以促進血液循環。長時間暴露在劇烈震動下會造成手指、手掌和手腕的血管或神經系統失調。
- ▶ 通風口請務必隨時保持暢通。因通風口被蓋住而有火災之虞！
- ▶ 若您已往下移動鋸頭，則請勿放開握把。請一律將鋸頭保持控制在上方位置。若鋸頭不受控制地移動，可能導致受傷風險。
- ▶ 勿使用已經鈍化、破裂、彎曲或損壞的鋸片。鋸片的鋸齒鈍化或未正確對準時，如果切口過窄，則會導致摩擦力增加、鋸片卡住和反沖效果。
- ▶ 鋸子運轉時，絕不可清除切割區域的切割殘物、木屑和類似物品。請務必先將電鋸關閉並將鋸頭返回上部位置。
- ▶ 僅可使用經許可用於本產品的鋸片，符合技術性數據和/或本產品上的規格（例如直徑、轉速、厚度、安裝孔位、材質等），並已根據EN 847-1標準經過測試和標示。
- ▶ 僅可使用最大額定速率至少等於產品最大運轉速度的鋸片。
- ▶ 在冷卻之前，不可在操作後觸摸鋸片。鋸片在作業時可達高熱。
- ▶ 更換鋸片時請配戴手套。



- ▶ 每次使用前，請檢查防護罩是否正確閉合。將鋸頭移向下方，並將其穩固地移回上部位置。當鋸頭抬起時，如果防護套無法自由移動且無法立即閉合，請勿使用該電鋸。絕不可在下方防護罩於開啟位置時夾住或接合。
- ▶ 使用本產品時務必配戴防護罩。
- ▶ 以工具切割鋁型材料時，請一律以較低的速度操作。
- ▶ 請一律使用並固定本產品附帶的附加墊架。
- ▶ 只能以指定的位置（把手凹槽和搬運握把）搬運本產品。請勿透過滑動桿或握把來搬運本電動工具。
→ 頁次 317
- ▶ 避免鋸齒尖端過熱。切割塑膠時，應避免塑膠融化。

2.4 小心處理和使用電池

- ▶ 請遵守下列安全操作和使用鋰電池的安全注意事項。若未遵守，可能造成皮膚不適、嚴重腐蝕、化學燙傷、起火和/或爆炸。
- ▶ 請使用狀態完好無損的電池。
- ▶ 請小心處理電池，以避免其受損以及防止會嚴重危及健康的液體流出！
- ▶ 電池嚴禁修改或改裝！
- ▶ 請勿拆解、擠壓或焚燒電池，且不可將電池置放在溫度超過80°C（176°F）的環境中。
- ▶ 電池受過衝擊或其他損壞後，請勿使用或充電。請定期檢查電池是否有損壞的跡象。
- ▶ 請勿使用回收或維修過的電池。
- ▶ 請勿將電池或電池供電之機具作為鎚子使用。
- ▶ 請勿讓電池暴露在直接日曬、溫度過高、有火花或明火的環境中，否則可能導致爆炸。
- ▶ 請勿用手指、工具、珠寶或其他會導電的物品觸摸電池極柱，否則可能導致電池損壞、財物損失和人員受傷。
- ▶ 電池應避免淋雨、潮濕和水氣。水氣滲入會造成短路、觸電、燙傷、起火和爆炸。
- ▶ 請使用適用於該電池型號的充電器與電動工具。請詳閱並遵守相關操作說明書中的說明。
- ▶ 請勿在易爆炸環境中使用或存放電池。
- ▶ 若電池溫度過高無法觸摸，表示電池可能已經毀損。將電池放在清楚可見且沒有火災危險、遠離易燃材料的位置。讓電池冷卻。若一小時後電池溫度仍然過高無法觸摸，表示電池可能已經毀損。請洽詢Hilti維修中心或詳讀「Hilti鋰電池安全注意事項和使用」文件。



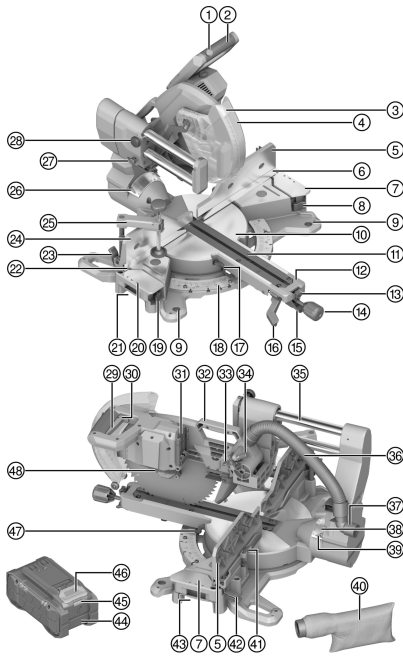
請遵守適用於運輸、存放和使用鋰離子電池的專用指令。

請透過本操作說明書末尾的條碼取得並詳讀Hilti鋰電池安全注意事項和使用。



3 說明

3.1 產品總覽



- ① 安全鎖
- ② 握把
- ③ LED切割指示器
- ④ 防護套
- ⑤ 右側上方斜接規
- ⑥ 右側下方斜接規
- ⑦ 右側附加墊架
- ⑧ 右側附加墊架釋放桿
- ⑨ 固定孔
- ⑩ 轉盤
- ⑪ 切割板
- ⑫ 轉盤釋
- ⑬ 轉盤釋放桿卡入位置
- ⑭ 轉盤鎖定旋鈕
- ⑮ 轉盤釋放桿
- ⑯ 垂直斜鋸角釋放桿
- ⑰ 左側水平斜鋸角指針
- ⑱ 水平斜鋸角刻度
- ⑲ 左側附加墊架釋放桿
- ⑳ 左側附加墊架
- ㉑ 左側把手凹槽
- ㉒ 左側下方斜接規
- ㉓ 左側上方斜接規釋放桿
- ㉔ 左側上方斜接規
- ㉕ 螺旋夾鉗
- ㉖ 左側垂直斜鋸角指針
- ㉗ 運送鎖
- ㉘ 延伸件止付螺絲
- ㉙ On/Off開關
- ㉚ 掛鎖孔
- ㉛ 電池接座
- ㉜ 搬運握把
- ㉝ 深度計擋板
- ㉞ 深度計
- ㉟ 延伸件 / 滑桿
- ㊱ 除塵連接軟管
- ㊲ 除塵連接頭
- ㊳ 垂直斜鋸角刻度
- ㊴ 右側垂直斜鋸角指針
- ㊵ 集塵袋
- ㊶ 六角扳手
- ㊷ 右側上方斜接規釋放桿
- ㊸ 右側把手凹槽
- ㊹ 電池
- ㊺ 電池狀態指示燈
- ㊻ 電池拆卸鈕
- ㊼ 右側水平斜鋸角指針
- ㊽ 主軸鎖定開關



2395174

3.2 預期用途

所述產品為充電式的斜角斜斷鋸。它適用於鋸切木材、木製品、塑膠和鋁型材。本產品可用於橫切、斜切和斜角切。

本產品配有料屑收集裝置的連接件，該連接件設計用於一般吸塵軟管。要將吸塵軟管連接至電鋸，可能需要使用合適的轉接器。

- 本電鋸只能搭配隨附的料屑袋或適合的除塵器使用。
- 僅可使用此產品專屬認可、且符合技術規格資料的鋸片（如直徑、轉速、厚度、材料等）不許使用磨削及切割碟片，以及由高合金高速鋼（HSS鋼）製成的鋸片。
- 絕不可使用本產品切割切鎂質物品。
- 本產品限使用B 22Hilti Nuron系列鋰電池。為達最理想的效能，Hilti建議本產品使用本操作說明書末尾表格中所列的電池。
- 僅可使用本操作說明書末尾表格中所列的Hilti系列的電池充電器為電池充電。

3.3 供貨內容

斜角斜斷鋸、鋸片、緊固法蘭、配接法蘭、夾緊螺栓、內六角扳手、螺旋夾鉗、轉盤鎖定旋鈕、操作說明書關於本產品，您可於當地Hilti Store或網站查詢其他經過認證可搭配使用的系統產品：www.hilti.group

3.4 鋰電池的顯示幕

Hilti Nuron鋰電池會顯示電池的電力、錯誤訊息和狀態。

3.4.1 電力和錯誤訊息的顯示



警告

有受傷的危險！因電池掉落

- ▶ 電池已插入時，請在按下拆卸鈕後確保電池重新正確地卡入所使用的產品中。

如欲獲得下列其中一個顯示畫面，請短按電池拆卸鈕。

只要已連接的產品已啟動，也會持續顯示充電狀態和可能的功能故障。

狀態	意義
四個 (4) LED持續亮綠燈	充電狀態：100 %至71 %
三個 (3) LED持續亮綠燈。	充電狀態：70 %至51 %
兩個 (2) LED持續亮綠燈。	充電狀態：50 %至26 %
一個 (1) LED持續亮綠燈。	充電狀態：25 %至10 %
一個 (1) LED緩慢閃綠燈。	充電狀態：< 10 %
一個 (1) LED快速閃綠燈。	鋰電池已完全沒電。裝入電池。 電池充電後若LED仍快速閃爍，請洽詢Hilti維修中心。
一個 (1) LED快速閃黃燈。	鋰電池或與之連接的產品過載、溫度太高、溫度太低或有其他故障情形。 請讓產品和電池維持在建議的操作溫度，並在使用時不要使產品過載。 若訊息持續存在，請洽詢Hilti維修中心。
一個 (1) LED亮黃燈	鋰電池和與其連接的產品不相容。請聯絡Hilti維修中心。
一個 (1) LED快速閃紅燈	鋰電池已鎖定，無法繼續使用。請聯絡Hilti維修中心。

3.4.2 顯示電池狀態

如欲檢查電池狀態，請按住拆卸鈕3秒鐘以上。系統無法偵測到電池因掉落、刺穿、外部熱損傷等錯誤使用造成的潛在功能故障。

狀態	意義
所有LED以跑馬燈形式亮起，然後一個LED持續亮起綠色。	電池仍可繼續使用。



狀態	意義
所有LED以跑馬燈形式亮起，然後一個LED快速閃爍黃色。	無法完成有關電池狀態的查詢。請重複上述程序或洽詢Hilti維修中心。
所有LED以跑馬燈形式亮起，然後一個LED持續亮起綠紅色。	若連接之產品仍可繼續使用，剩餘的電池容量會低於50%。 若連接之產品無法使用，表示電池已達最終使用壽命，應進行更換。請聯絡Hilti維修中心。

4 技術資料

4.1 產品特性

額定電壓	21.6 V	
無負載下的額定速率	4,300 rpm	
鋸片直徑	305 mm	
鋸片碟片厚度	0.5 mm ... 1.5 mm	
鋸片軸尺寸	30 mm	
切口寬度	3.2 mm	
最大水平斜鋸角	右	≤ 60°
	左	≤ 52°
最大垂直斜鋸角	右	≤ 48°
	左	≤ 48°
無計其他尺寸或斜鋸角之最大切割能力	高	≤ 100 mm
	寬	≤ 360 mm
重量	25.6 kg (根據EPTA-Procedure 01不含電池)	
操作時的環境溫度	-17 °C ... 60 °C	
貯放溫度	-20 °C ... 70 °C	

4.2 電池

電池操作電壓	21.6 V
電池重量	請參閱本操作說明書結尾處
操作時的環境溫度	-17 °C ... 60 °C
貯放溫度	-20 °C ... 40 °C
電池充電啟動溫度	-10 °C ... 45 °C

4.3 噪音資訊和震動值 (依據EN 62841)

操作說明中所提供之音壓和震動值已參照標準測量，並可用來比較不同機具之噪音。它們也可作為噪音量的初步評估。

提供之資料表示機具主要應用時之數值。若機具應用於不同之用途，搭配不同的配件工具或在保養不良的情況下，其數據會有所不同。在作業過程中，這會大幅提高其噪音量。

當機具關閉，或開啟但未進行任何作業時也應列入考量，才能準確評估噪音量。在作業過程中，這會大幅降低其噪音量。

確認其他安全措施，以保護操作員不受噪音和 / 或震動影響，例如：保養機具與其配件、操作前保持雙手溫暖、作業型式之安排等。

噪音資訊

聲功率級數 (L_{WA})	101 dB(A)
音壓級數 (L_{pA})	90 dB(A)
不確定值 (適用 L_{WA} 和 L_{pA})	3 dB(A)



總振動值

振動排放值	B 22-55	≤ 2.5 m/s ²
	B 22-255	≤ 2.5 m/s ²
不確定值		1.5 m/s ²

4.4 最大切割能力

所述尺寸和寬度皆彼此互相關聯。您可在產品特性 → 頁次 307 章節中找到最大可用的高度和寬度值。

水平斜鋸角	垂直斜鋸角	高度 x 寬度
0°	0°	100 mm x 355 mm
	右22.5°	72 mm x 355 mm
	左22.5°	90 mm x 355 mm
	右30°	60 mm x 355 mm
	左30°	78 mm x 355 mm
	右45°	40 mm x 355 mm
	左45°	65 mm x 340 mm
	右48°	30 mm x 355 mm
	左48°	50 mm x 355 mm
右45° 左45°	0°	100 mm x 250 mm
	右45°	40 mm x 250 mm
	左45°	62 mm x 250 mm
左52°	0°	100 mm x 200 mm
	右45°	40 mm x 220 mm
	左45°	62 mm x 220 mm
右60°	0°	100 mm x 176 mm
	右45°	40 mm x 178 mm
	左45°	30 mm x 190 mm

5 工作場所的準備工作

警告

有受傷的風險！因意外啟動

- ▶ 置入電池前，請確認產品已關閉。
- ▶ 在調整機具或變更配件前請先將電池拆下。

請遵守本文件中與產品上的安全說明和警告。

5.1 裝入鎖定旋鈕

在出貨狀態時，轉盤的鎖定旋鈕並未安裝。必須在使用電鋸時將其裝入。

- ▶ 將鎖定旋鈕旋入轉盤桿內。

5.2 為電池充電

1. 電池充電前，請閱讀充電器的操作手冊。
2. 確認電池的接點和充電器的接點清潔且乾燥。
3. 請使用經認可的充電器對電池充電。→ 頁次 306

5.3 置入電池

警告

有受傷的危險 因短路或電池掉落！

- ▶ 置入電池前，請確認電池的接點及產品的接點上無任何異物。
- ▶ 確認電池已確實咬合。



1. 初次使用前，請將電池完全充電。
2. 將電池推入產品中，直到聽到卡入聲。
3. 請檢查電池是否安裝牢固。

5.4 卸下電池

1. 按下電池拆卸鈕。
2. 將電池從產品卸下。

5.5 安裝產品

本產品必須在平坦和穩定的表面上固定。

1. 將產品放置在平坦、穩定的表面上。
2. 將產品透過固定孔旋緊至作業表面上。為此請使用合適的螺絲。
3. 或是使用一般市售的螺旋夾鉗將裝置腳座夾緊在工作表面上。



Hilti 也提供可選購的底座，可將產品安裝在其上以供移動使用。

5.6 移至加工位置

1. 輕輕將鋸頭壓往下方，並拉出運送鎖。
2. 穩固地將鋸頭引導向上。

5.7 除塵設備

5.7.1 安裝集塵袋

集塵袋可讓工作乾乾淨淨，並收集大部分產生的粉塵。

- ▶ 將集塵袋插上除塵連接頭。

5.7.2 連接除塵器

除塵器必須適用於待加工的材料質。在抽吸危害健康、致癌或乾燥的粉塵時，請適用合適的專用吸塵器。

- ▶ 將吸塵軟管插上除塵連接頭。

5.8 安裝鋸片

確保欲夾緊的鋸片符合技術要求，並具有良好的銳利度。欲有完美切割，鋒利的鋸片為最基本的必要條件。

1. 清潔固定凸緣及夾緊凸緣。
2. 從正確方向將固定凸緣安裝至驅動軸(1)。
3. 打開旋轉防護套(2)。
4. 安裝新鋸片。



依鋸片和產品上的旋轉方向箭頭(3)使用。此兩者必須相互對應。

5. 從正確方向安裝外側的夾緊凸緣(4)。
6. 旋入固定螺栓。
7. 將六角扳手插入鋸片固定螺栓。
8. 按住主軸鎖定開關(5)。
9. 使用內六角扳手將固定螺栓旋緊(6)。
10. 檢查鋸片是否位於正確位置。
11. 檢查鋸片的活動自由度。在任何設定下（水平和/或垂直斜鋸角），鋸片不得與電鋸的其他部件碰觸。
12. 將內六角扳手插入為此指定的固定座中。

5.9 移除鋸片



警告

在鋸片、固定螺栓和夾緊凸緣上有造成燙傷、割傷的危險。可能導致燙傷和割傷。

- ▶ 更換刀片時請配戴手套。



1. 按住主軸鎖定開關(1)。
2. 使用內六角扳手將固定螺栓鬆開(2)。
3. 取下固定螺栓和夾緊凸緣(3)。
4. 將旋轉防護套(4)打開並取下鋸片(5)。



如有需要，您可以拆下固定凸緣進行清潔。

6 操作

請遵守本文件中與產品上的安全說明和警告。

6.1 鎖定 / 鬆開延伸件 5

延伸件可鎖定在任何位置。

1. 若要鎖定延伸件，以順時針方向旋轉止付螺絲(1)。
 - ▶ 止付螺絲將滑桿夾緊而防止滑動。
2. 若要鬆開延伸件，以逆時針方向旋轉止付螺絲(1)。

6.2 在深度計上設定切割深度 6

若想鋸切一個凹槽，可使用深度計。

1. 翻轉深度計擋板(1)，使深度計在鋸頭下降時不穿過開口。
2. 透過滾花螺栓(2)設定所需的切割深度。
3. 若您不想再限制切割深度，則翻轉擋板(1)，使深度計在降低鋸頭時可穿過開口。

6.3 延長鋸台 7



警告

長型工件有造成傷害的危險。長型工件在切割過程中可能會不受控地翻落、抬起防護罩，卡住鋸片並導致回彈。

- ▶ 請使用附加的鋸架或類似的支座來支撐長工件。

鋸台的放置面可藉著左右附加墊架進行加大。

1. 打開附加墊架的釋放桿(1)。
2. 將附加墊架拉出(2)。
3. 鎖住附加墊架的釋放桿(1)。
4. 如有必要，重複另一側附加墊架的步驟。

6.4 設定上方斜切規 8, 9

視水平和/或垂直斜鋸角的設定而定，上方斜切規必須向外拉出或完全拆下。

1. 開啟左側或右側上方斜切規的釋放桿(1)。
2. 將上方斜切規(2)儘量向外拉出，或拆下斜切規。
3. 關閉釋放桿(1)。
 - ▶ 若要進行直線切割，則重新將上方斜切規安裝至內部位置。
4. 若已拆下斜切規，為能在鋸切過程中安全收納，可將其固定於附加墊架的滑桿上。

6.5 調整水平斜鋸角 10



警告

未鎖定的轉盤可能導致受傷危險。未鎖定的轉盤可能會在切割過程中扭轉，使工件傾斜並因此造成回彈。

- ▶ 進行切割前，務必旋緊轉盤鎖定旋鈕。



條件: 基本斜鋸角

水平斜鋸角刻度上的凹槽，可用於快速和精準地調整經常使用的水平斜鋸角。轉盤能卡入這些凹槽。

水平斜鋸角鎖止位置

左	中間	右
45°; 31.6°; 22.5°; 15°	0°	15°; 22.5°; 31.6°; 45°; 60°

- ▶ 必要時可解除轉盤的鎖定旋鈕(2)。
- ▶ 向上拉動並按住轉盤的釋放桿(1)然後旋轉轉盤，直到即將達到所需的水平斜鋸角(3)。
- ▶ 鬆開轉盤的釋放桿，繼續轉動轉盤至所需的水平斜鋸角，直到卡入鎖定位置。
- ▶ 旋緊轉盤的鎖定旋鈕(2)。

條件: 任意調整的水平斜鋸角

除了基本斜鋸角外，也可自由調整水平斜鋸角。

- ▶ 必要時可解除轉盤的鎖定旋鈕(2)。
- ▶ 向上拉動轉盤的釋放桿(1)並將其卡入(4)。
- ▶ 轉動轉盤至所需的水平斜鋸角(3)。
- ▶ 旋緊轉盤的鎖定旋鈕(2)。

6.6 調整垂直斜鋸角 11

警告

未鎖定的傾斜度可能導致受傷危險。如果未鎖定垂直斜鋸角的設定，則鋸頭可能在切割過程中翻落並導致回彈。

- ▶ 完成設定後，請一律將垂直斜鋸角的釋放桿完全按下，以鎖定傾斜度。

注意

無上方斜切規可能導致受傷危險。垂直斜鋸角已設定時，鋸片可能會碰觸上方斜切規而導致損壞和回彈。

- ▶ 每次設定垂直斜鋸角後，請檢查鋸片的活動自由度，並視需要將上方斜切規儘可能朝外調整。

透過將鋸頭卡入多種位置的方式，可快速和精準地調整經常使用的垂直斜鋸角。

垂直斜鋸角鎖止位置

左	中間	右
45°; 33.9°; 22.5°	0°	22.5°; 33.9°; 45°

- ▶ 向上拉動垂直斜角調整的釋放桿，以將其鬆脫(2)。
- ▶ 完全向上拉動垂直斜角調整的釋放桿，使鋸頭能自由活動(3)。
- ▶ 鬆開釋放桿並傾斜鋸頭直至卡入鎖定位置。
 - ▶ 鋸頭可卡入每個上述的位置。
- ▶ 接著完全壓下釋放桿(1)，以便將鋸頭卡入調整的位置。
- ▶ 若您想任意調整一個垂直斜鋸角，請將垂直斜角調整的釋放桿保持在最上位置(3)，直到達到所需的垂直斜鋸角為止。
- ▶ 接著完全壓下釋放桿(1)，以便將鋸頭卡入調整的位置。
- ▶ 調整上方斜切規，使其不與鋸片相觸。→ 頁次 310

6.7 啟用裁切線指示器

本電鋸配備了裁切線指示器。鋸頭上的LED照亮工作範圍，並透過鋸片產生陰影而精確顯示裁切線。

1. 啟動電源開關而不按下安全鎖。
 - ▶ LED即被啟用。
2. 將鋸頭引導向下。
 - ▶ 鋸片的陰影出現於工件上，並顯示裁切線。
3. 必要時，調整工件或水平/垂直斜鋸角相對於裁切線的設定。



6.8 定位和固定工件 **12, 13, 14**

警告

彎曲的木材可能導致受傷危險。變形的木材可能會卡在鋸片上並導致回彈。

- ▶ 在放置翹曲或彎曲的工件時，請務必讓其彎曲的一面朝向斜切規。切勿將工件放置在工件與斜切規之間產生空氣間隙的位置。

警告

工件定位不當可能導致受傷危險。定位不當的工件可能會卡在鋸片上並導致回彈。

- ▶ 始終將工件放置在轉盤、墊片和斜切規上，使其有盡可能大的接觸面。

警告

未固定的工件可能導致受傷危險！如工斜切規未正確固定至斜切規上，工件可能會在切割操作時移動而損壞鋸片，因而導致工件拋出並失去控制。

- ▶ 在所有操作中，必須使用螺旋夾鉗將工件牢固地固定於轉盤和斜切規上。

警告

電鋸組件與螺旋夾鉗接觸可能導致受傷危險！鋸片可能會在接觸螺旋夾鉗時受到損壞。防護裝置可能會因螺旋夾鉗受到妨礙而使功能受限。鋸頭的動作可能會因螺旋夾鉗而受限，這可能導致回彈。

- ▶ 嘗試在電鋸關閉狀態下，進行預期的運動。確保電鋸的任何組件都不會與螺旋夾鉗接觸。
- ▶ 如有必要，將螺旋夾鉗移至電鋸上的其他位置。
- ▶ 按下螺旋夾鉗的釋放鈕(2)並將螺桿向上拉到底。
- ▶ 將螺旋夾鉗插入指定之一的開口(1)。
- ▶ 將工件牢牢地壓向下部斜接規。
- ▶ 按下螺旋夾鉗的釋放鈕，以快速將螺桿套用至工件上(2)。
- ▶ 將螺旋夾鉗向後傾斜，逆向螺桿位置(3)。接著以順時針方向旋緊，並以此固定工件(4)。
 - ▶ 將螺桿逆時針方向旋轉，即可鬆開工件。接著按下螺旋夾鉗的釋放鈕，並將螺桿向上拉到底。

6.9 設定速度

- ▶ 透過轉速調整旋鈕設定所需的轉速。

6.10 啟動 / 關閉

警告

回彈有造成傷害的危險。

- ▶ 只有當鋸片未接觸工件時，才可啟動電鋸。

警告

回彈有造成傷害的危險。

- ▶ 關閉電源後，讓鋸頭保持在最低位置，直到鋸片完全靜止。

1. 按住安全鎖。
2. 按住On/Off開關。
 - ▶ 電鋸運轉中。
3. 若要關閉電鋸，請放開電源開關。

6.11 切割 **15**

警告

手與手臂位置不正確會導致受傷風險。若位置不正確，運行中的鋸片可能會觸碰手與手臂，造成嚴重傷害。

- ▶ 鋸切時切勿交叉手臂。絕不可用手或手臂越過裁切線。
- ▶ 將手臂和手保持在鋸片左側和右側的標示危險區域之外。

使用斜切鋸時，正確的身體和手部姿勢能使切割更輕鬆、更準確和更安全。

雙腳牢牢地站在地板上並保持平衡。當您左右移動斜切手臂時，請隨著它並略微站在鋸片一側。

請將鋸片左側230 mm (9 in) 和右側270 mm (10.4 in) 的危險區域保持淨空。將手、手臂和其他身體部位遠離此危險區域。



將雙手保持在適當位置，直到鬆開電源開關且鋸片完全靜止。



進行切割時，請以輕緩和可控的方式壓下鋸頭。施力過大或對裁切線施以側向力會導致鋸片振動，在工件上會產生額外的鋸痕並影響切割精度。

6.11.1 以無推動方式鋸切（斜斷）



警告

未鎖定的延伸件可能導致受傷危險。未鎖定的延伸件可能導致鋸頭意外滑動，並產生回彈。

▶ 在進行橫切時，須一律鎖定延伸件。

1. 將鋸頭從原位置向後推到底。
2. 鎖定延伸件。→ 頁次 310
3. 調整深度計擋板，使深度計在鋸頭下降時可穿過開口。→ 頁次 310
4. 根據欲進行的切割的要求，調整電鋸的所有設定（角度、斜切規、放置面）。
5. 固定工件。→ 頁次 312
6. 啟動電鋸。→ 頁次 312
7. 緩慢將鋸頭引導向下，並以均衡的前推力鋸切工件。
8. 關閉電鋸，並等待至鋸片完全靜止為止。
9. 將鋸頭返回上部位置。

6.11.2 以推動方式鋸切



警告

因鋸頭運動異常而產生回彈。使用推鋸切割時，鋸頭的異常運動可能產生回彈。

- ▶ 切割前，請務必先完全拉起鋸頭，然後將其降低，接著推向斜切規方向。
- ▶ 當鋸片已位於工件中時，切勿將鋸頭拉向自己。



採用推動方式進行切割時，將鋸頭輕輕推向斜切規，不可停止。若在切割過程中推力中斷，鋸片會在工件上留下痕跡而影響切割精度。

1. 必要時鬆開延伸件。→ 頁次 310
2. 調整深度計擋板，使深度計在鋸頭下降時可穿過開口。→ 頁次 310
3. 根據欲進行的切割的要求，調整電鋸的所有設定（角度、斜切規、放置面）。
4. 固定工件。→ 頁次 312
5. 將鋸頭完全拉向自己。
6. 啟動電鋸。→ 頁次 312
7. 將鋸頭緩慢地引導向下。
8. 將鋸頭保持在最下方位置，然後將其緩慢地推向後方（遠離自己）。以均衡的前推力鋸切工件。
9. 關閉電鋸，並等待至鋸片完全靜止為止。
10. 將鋸頭返回上部位置。

6.11.3 鋸切凹槽。

1. 將深度計調整至所需的切割深度。→ 頁次 310
2. 以推動方式進行切割。→ 頁次 313

6.11.4 鋸切成型件



警告

工件固定不當可能導致受傷危險。固定不當的工件可能會卡在鋸片上並導致回彈。

▶ 當您將成型件靠著斜切規時，應確保成型件已充分固定，以防止移動。→ 頁次 312

有兩種不同方式可鋸切成型件。

- 靠著斜接規放置
- 平放在鋸台
- ▶ 根據成型件的寬度，以使用或不使用推動的方式進行切割。
- ▶ 首先在廢棄木頭上測試設定的水平和/或垂直斜錐角。



警告

電池裝入時有受傷的危險！

- ▶ 進行維護及保養前，請務必卸下電池！

產品保養

- 小心地清除頑強的髒污。
- 請使用乾燥的軟刷子小心地清潔通風口。
- 僅可使用微濕的軟布清潔機殼。請勿使用含矽膠的清潔或亮光劑，因為可能會造成塑膠零件損壞。
- 請使用乾淨的乾布清潔產品的接點。
- 定期清潔延伸件的滑桿和附加墊架。每次清潔後，在所有滑桿上滴幾滴機油。
- 定期清潔上方斜切切的放置面。如有需要，請重新潤滑放置面。

鋰電池的保養

- 通風口堵塞時請勿使用電池。請使用乾燥的軟刷子小心地清潔通風口。
- 請避免電池暴露在粉塵或髒污的環境之中。請勿讓電池接觸過高的濕氣（例如：浸入水中或淋雨）。電池若濕透，請將該電池視為已受損。請將電池隔絕在不可燃的容器內，並洽詢Hilti維修中心。
- 避免電池沾上油脂。避免讓電池上積聚粉塵或髒污。請使用乾燥的軟刷或乾淨的乾布清潔電池。請勿使用含矽膠的清潔或亮光劑，因為可能會造成塑膠零件損壞。請勿觸摸電池的觸點或從觸點上去除出廠塗敷的油脂
- 僅可使用微濕的軟布清潔機殼。請勿使用含矽膠的清潔或亮光劑，因為可能會造成塑膠零件損壞。

維護

- 定期檢查外部零件和控制元件有無損壞跡象，並確認它們運作正常。
- 如果有損壞跡象及/或任何零件功能故障，請不要操作本產品。請將產品交付Hilti維修中心進行維修。
- 維護及修復作業後，裝上所有保護裝置並檢查功能是否正常。



為確保操作的安全及可靠性，請務必使用原廠Hilti備件與耗材。您可以在Hilti Store或在以下網站選購Hilti認可的備用零件、耗材和配件：www.hilti.group

7.1 清潔防護套

1. 移除鋸片。→ 頁次 309
2. 用乾燥的刷子仔細清潔防護套的零件。
3. 使用合適的工具去除防護套零件內側表面附著的沉積物或切片。
4. 安裝鋸片。→ 頁次 309

7.2 清潔吸塵轉接頭和連接軟管

1. 拆下集塵袋或連接的除塵器吸塵軟管。
2. 鬆開鋸頭上連接軟管的固定螺栓(1)。
3. 將連接軟管從鋸頭(2)和吸塵轉接頭拔下。
4. 清空連接軟管並使用一把乾刷進行清潔。
5. 使用一把乾刷清潔鋸頭上的碎屑通道和吸塵轉接頭。
6. 重新將連接軟管插到吸塵轉接頭和鋸頭上。
7. 旋緊鋸頭上連接軟管的固定螺栓。
8. 安裝集塵袋或再次連接除塵器。→ 頁次 309

7.3 清空集塵袋

1. 將集塵袋從進氣轉接器取下。
2. 打開集塵袋的拉鍊並妥善處理其內物。
3. 關起集塵袋的拉鍊。
4. 再次將集塵袋裝到吸塵轉接頭上。→ 頁次 309

7.4 檢查和校正設定和指示器

斜角斜斷鋸已在原廠經過仔細設定和校正。然而，在密集使用或粗糙處理後，可能需要檢查電鋸的設定和指示器，並在必要時進行校正。

若要檢查和校正電鋸，須具備經驗和特殊工具。



Hilti建議，電鋸僅可交付Hilti維修中心進行維修。



在使用量角規進行所有檢查和設定操作時，請勿觸摸鋸齒的尖端。這可能導致測量錯誤。量角規必須始終與主鋸片一致。

7.4.1 檢查垂直斜鋸角。

1. 將鋸頭從原位置向後推到底。
2. 調整深度計擋板，使深度計在鋸頭下降時可穿過開口。→ 頁次 310
3. 將水平斜鋸角調至0°。
4. 將鋸頭壓下，並將運送鎖推入，以鎖定鋸頭。
5. 將垂直斜鋸角調至0°。
6. 將量角規設定為90°。
7. 將量角規垂直放置，並對其鋸台。
8. 將量角規移向鋸片。
 - ▶ 量角規必須與鋸片全線對齊。
9. 將垂直斜鋸角調至右45°。
10. 將量角規設定為45°（或在測量左側時設為135°）。
11. 將量角規垂直放置，並對其鋸台。
12. 將量角規移向鋸片。
 - ▶ 量角規必須與鋸片全線對齊。
13. 再次對垂直斜鋸角左45°進行此步驟。

結果 1 / 2

量角規必須在所有三項測量上與鋸片全線對齊。

- ▶ 本電鋸已正確校正。

結果 2 / 2

量角規和鋸片在單次獲多次測量中不對齊。

- ▶ 洽詢Hilti維修中心。

7.4.2 校正垂直斜鋸角指針

1. 檢查垂直斜鋸角是否精準。→ 頁次 315
2. 將垂直斜鋸角調至0°。
3. 鬆開垂直斜鋸角指針的固定螺栓，並將其準確調至顯示0°。
4. 再次牢牢旋緊固定螺栓。同時將指針準確固定於顯示0°。
5. 同樣為垂直斜鋸角的第二指針重複此步驟。
6. 檢查實際的垂直斜鋸角和左右45°的兩個指針是否一致。
 - ▶ 如果檢查時發現有一指針在一處或多處與實際角度不符，且無法充分校正，請洽詢Hilti維修中心。

7.4.3 檢查水平斜鋸角

1. 將鋸頭從原位置向後推到底。
2. 調整深度計擋板，使深度計在鋸頭下降時可穿過開口。→ 頁次 310
3. 將垂直斜鋸角調至0°。
4. 將鋸頭壓下，並將運送鎖推入，以鎖定鋸頭。
5. 將水平斜鋸角調至0°。
6. 將量角規設定為90°。
7. 將量角規平放至鋸台並對齊斜切規。
8. 將量角規移向鋸片。
 - ▶ 量角規必須與鋸片全線對齊。
9. 將水平斜鋸角調至右45°。
10. 將量角規設定為45°（或在測量左側時設為135°）。
11. 將量角規平放至鋸台並對齊斜切規。
12. 將量角規移向鋸片。
 - ▶ 量角規必須與鋸片全線對齊。



13. 再次對水平斜鋸角左45°進行以上步驟。

結果 1 / 2

量角規必須在所有三項測量上與鋸片全線對齊。

- ▶ 本電鋸已正確校正。

結果 2 / 2

量角規和鋸片在單次獲多次測量中不對齊。

- ▶ 校正水平斜鋸角或洽詢Hilti維修中心。→ 頁次 316

7.4.4 校正水平斜鋸角和刻度 20

1. 將轉盤卡入位置0°。
2. 解開轉盤的鎖定旋鈕。
3. 鬆開水平斜鋸角刻度的四個固定螺栓。
4. 將量角規設定為90°。
5. 將量角規平放至鋸台並對齊斜切規。
6. 將量角規移向鋸片。藉著量角規校正轉盤，包含水平斜鋸角的刻度。
 - ▶ 量角規必須與鋸片全線對齊。
7. 旋緊轉盤的鎖定旋鈕，以防止轉盤轉動。
8. 旋緊水平斜鋸角刻度的四個固定螺栓。
9. 檢查水平斜鋸角的右45°和左45°。→ 頁次 315

結果 1 / 2

量角規在水平斜鋸角的右45°和左45°須全線與鋸片對齊。

- ▶ 本電鋸已正確校正。

結果 2 / 2

量角規和鋸片在單次獲多次測量中不對齊。

- ▶ 洽詢Hilti維修中心。

7.4.5 校正水平斜鋸角指針 21

1. 檢查水平斜鋸角是否精準。→ 頁次 315
2. 同時也校正水平斜鋸角。→ 頁次 316
3. 將水平斜鋸角調至0°。
4. 鬆開水平斜鋸角指針的固定螺栓，並將其準確調至顯示0°。
5. 再次牢牢旋緊固定螺栓。同時將指針準確固定於顯示0°。
6. 同樣為水平斜鋸角的第二指針重複此步驟。
7. 檢查實際的水平斜鋸角和左右45°的兩個指針是否一致。
 - ▶ 如果檢查時發現有一指針在一處或多處與實際角度不符，且無法充分校正，請洽詢Hilti維修中心。

7.5 更換集塵器 22

警告

偏轉器安裝錯誤可能會導致受傷危險。若偏轉器安裝錯誤，可能會將鋸片夾住。偏轉器或鋸片可能破裂，而其一部分可能被拋飛。

- ▶ 在安裝偏轉器時，請注意必須正確裝入。偏轉器的彈簧受載部分必須遠離鋸條。

1. 鬆開一側的固定螺栓(1)並取下偏轉器(3)。
2. 鬆開對側的固定螺栓，並取下第二個偏轉器和集塵器(2)。
3. 裝上全新的集塵器(2)和一個偏轉器(3)。
 - ▶ 請注意偏轉器的位置是否正確。
4. 使用固定螺栓旋緊這兩個組件。
5. 將第二個偏轉器和集塵器旋緊至對側。
 - ▶ 請注意偏轉器的位置是否正確。
 - ▶ 檢查集塵器和兩個偏轉器是否牢固。

7.6 更換切割板 23

切割板的原廠調整為不與鋸片碰觸。然而，切割板會受到一定程度的磨損。Hilti提供切割板備件。使用者可快速和簡單地將其更換。

1. 開啟切割板的所有固定螺栓，並廢棄處理磨損的切割板。



2. 裝入全新的切割板。
3. 鬆動旋緊固定螺栓，讓切割板仍可活動。
4. 調整切割板的位置，使鋸片不與其碰觸。
 - ▶ 最重要的是，檢查右側和左側的最大垂直斜鋸角。
 - ▶ 同時也檢查所有其它的水平和垂直斜鋸角。
5. 調整完成後，旋緊所有固定螺栓。

8 充電式機具和電池的運輸與存放 [24](#), [25](#)

斜角斜斷鋸的搬運

在搬運電鋸之前，請進行以下步驟：

- ▶ 將鋸頭從原位置向後推到底。
- ▶ 鎖定延伸件。→ 頁次 310
- ▶ 調整深度計擋板，使深度計在鋸頭下降時可穿過開口。→ 頁次 310
- ▶ 將垂直斜鋸角調至0°。
- ▶ 將鋸頭壓下，並將運送鎖插入，以鎖定鋸頭。
- ▶ 同樣將附加墊架推向內部。→ 頁次 310
- ▶ 將水平斜鋸角向右（60°）調整到底，並將轉盤卡入。
- ▶ 移除所有無法固定安裝在電鋸上的配件（如螺旋夾鉗）。
- ▶ 如有必要，也拆除鎖定旋鈕並將其夾入上方斜切規背面的其中一個固定件。

只可將電鋸攜帶至預定的位置。

- 附加墊架下方的把手凹槽(1)
- 背面區域靠近除塵裝置的把手凹槽(2)
- 鋸頭上的握把(3)

搬運電池



注意

搬運時意外啟動！

- ▶ 搬運產品時務必卸下電池！
- ▶ 取出電池。
- ▶ 切勿散裝運輸電池。運送過程中，應保護電池避免衝擊與震動並與導電物質或其他電池隔離，以免因與電池端子接觸而造成短路。請遵守您所在地當地的電池運輸規範。
- ▶ 請勿以郵寄方式遞送電池。若要運送未損壞之電池，請洽詢運送服務商。
- ▶ 每次使用前以及長途運輸前後請檢查本產品和電池是否受損。

設備的貯放



警告

瑕疵或漏液的電池所造成的意外損害！

- ▶ 存放產品時，一律不可插入電池！
- ▶ 請將本產品和電池存放在陰涼及乾燥處。請遵守技術性數據中所規定的溫度極限值。
- ▶ 請勿將電池貯放在充電器中。完成充電程序後，請將電池從充電器取出。
- ▶ 請勿將電池存放在有日光直射處、熱源上或玻璃後方。
- ▶ 請將本產品和電池存放在兒童或未授權人員無法觸及的地點。
- ▶ 每次使用前以及長時間存放前後請檢查本產品和電池是否受損。

9 故障排除

若出現任何故障，請注意充電電池的狀態指示器。請參閱鋸電池指示器章節。

若您遇到未列出的問題或是無法自行排除的問題，請聯絡Hilti維修中心。

故障	可能原因	解決方法
運轉速度突然急速下降。	電池已放電。	▶ 為電池充電。
	推進壓力過高。	▶ 降低推進壓力再重新啟動產品。
鋸片失速。	推進壓力過高。	▶ 降低推進壓力再重新啟動產品。
馬達沒有制動作用。	電池已放電。	▶ 為電池充電。



故障	可能原因	解決方法
切割角度不準確。	角度精度、刻度和指針調整不準確。	<ul style="list-style-type: none"> ▶ 檢查和校正設定和指示器。 → 頁次 314 ▶ 若您無法自行校正設定或電鋸的準確度偏差過大，請洽詢Hilti維修中心。
電池的LED未亮起	電池故障	▶ 洽詢Hilti維修中心。

10 廢棄設備處置



警告

不當的廢棄物處理可能導致人員受傷！洩漏出來的氣體或液體有害健康。

- ▶ 請勿以郵寄方式寄送電池。
- ▶ 將電池端子上不導電物質（例如絕緣膠帶）以避免短路。
- ▶ 請將電池棄置於兒童無法觸及的地方。
- ▶ 請將該電池送交Hilti Store處理或洽詢權責的廢棄處理公司。

Hilti產品所採用的材料大部分均可回收再利用。材料在回收前必須正確地分類。Hilti在許多國家都有提供老舊機具回收服務。請洽詢Hilti客服中心或您在地經銷商。



- ▶ 不可將電動工具、電動裝置和電池當成一般垃圾丟棄！

11 製造商保固

- ▶ 如果您對於保固條件有任何問題，請聯絡當地Hilti代理商。

Hilti Taiwan Co., Ltd.

24F., No. 16, Xinzhan Rd., Banqiao Dist., New Taipei City 220, Taiwan (R.O.C.)

Tel. 0800-221-036

12 其他資訊

有關於操作、技術、環境和回收的更多資訊，請參考以下連結：

qr.hilti.com/manual/?id=2395172&id=2395174

您也可在本操作說明結尾處找到本連結的QR碼。

原版操作說明

1 关于本操作说明的信息

1.1 关于本操作说明

- 警告！在使用本产品之前，请确保您已阅读并理解产品随附的操作说明，包括说明、安全和警告通知、插图和规格。尤其要熟悉所有说明、安全和警告通知、插图、规格、组件和功能。否则可能会导致触电、火灾和/或严重伤害的风险。保存操作说明，包括所有说明、安全和警告通知，以供以后使用。
- 随附的操作说明符合印刷时的最新技术水平。始终在 Hilti 产品页面上在线查找最新版本。为此，请点击这些操作说明中标有 符号的链接或二维码。
- 仅将产品连同本操作说明一起交给他人。

1.2 所用标志的说明

1.2.1 警告

警告是为了提醒您在使用此产品时会发生的危险。使用以下信号词：



⚠ -危险-

危险！

- ▶ 用于让人们能够注意到会导致严重身体伤害或致命的迫近危险。

⚠ -警告-

警告！

- ▶ 用于提醒人们注意可能导致严重或致命伤害的潜在危险。

⚠ -小心-

小心！

- ▶ 用于提醒人们注意可能造成人身伤害、设备损坏或其他财产损失的潜在危险情况。

1.2.2 操作说明中的符号

本操作说明中使用下列符号：

	遵守操作说明
	使用说明和其他有用信息
	处理可回收材料
	不得将电气设备和电池作为生活垃圾处置
	Hilti 锂离子电池
	Hilti 充电器

1.2.3 图示中的符号

图示中使用了下列符号：

	这些编号指本操作说明开始处的相应图示。
	图示中的编号表示重要的操作步骤或对操作步骤重要的部件。这些操作步骤或部件在文本中使用相应的编号突出显示，例如 (3)。
	位置编号被用于概览图中并表示产品概览段落中的图例编号。
	这些符号旨在提醒您在操作本产品时要特别注意的某些要点。

1.3 与产品相关的符号

1.3.1 一般符号

与产品搭配使用的符号。

	本产品支持近场通信 (NFC) 技术，兼容 iOS 和安卓平台。
	直流电 (DC)
n_0	额定空载转速
\varnothing	直径
	锯片尺寸
	不要直视光源。
Li-Ion	锂离子电池



	切勿用物体击打电池，也不得将电池用作敲击工具。
	请勿让电池掉落。切勿使用受到撞击或有任何损坏的电池。

1.3.2 禁止标志

禁止标志表示被禁止的操作。

	危险区域！请确保您的手部、手指以及手臂远离此区域。
--	---------------------------

1.3.3 强制性标志

强制性标志表示强制操作。

	请戴上护耳装置
	戴上护目镜

1.4 产品信息

产品经设计适用于专业用户，只有经过专门训练的授权人员才允许操作、维修和维护本产品。必须将任何可能的危险专门告知该人员。不按照既定用途使用或由未经培训的人员不正确地使用本产品及其辅助设备可能会带来危险。

型号名称和序列号印在铭牌上。

▶ 在下表中填写序列号。在联系 Hilti 维修中心或当地 Hilti 机构询问产品时，将要求您提供产品的详细信息。

产品信息

无绳斜切锯	SM 60-22
代次	01
序列号	

1.5 符合性声明

制造商全权负责声明，此处所述及的产品符合现行法规和标准。一致性声明副本位于本文档结尾处。

技术文档在此处归档：

Hilti Entwicklungsgesellschaft mbH | Tool Certification | Hiltistrasse 6 | D-86916 Kaufering, Germany

2 安全

2.1 一般电动工具安全警告

警告 请阅读本电动工具随附的所有安全警告、说明、图示和技术规范。不遵守下列所有操作说明可能会导致电击、火灾和/或严重人身伤害。

请保存所有安全警告和操作说明，以供将来参考。

在所有下列的警告中术语“电动工具”指市电驱动(有线)电动工具或电池驱动(无线)电动工具。

工作区域安全

- ▶ 保持工作区域清洁和良好照明。杂乱和黑暗的区域容易导致事故。
- ▶ 不要在爆炸性环境中操作电动工具，例如有易燃液体、气体或灰尘。电动工具会产生可以点燃这些灰尘或烟雾的火花。
- ▶ 在操作电动工具时，要令儿童和旁观者远离工作现场。万一分心，可能会使您失去对电动工具的控制。

电气安全

- ▶ 电动工具(设备)插头必须匹配电源插座。切勿以任何方式改动插头。对于接地的电动工具(设备)，不要使用任何适配器插头。使用未经改动的插头和匹配的电源插座可以大大减少电击危险。
- ▶ 避免人体接触接地表面，如管道、散热片和冰箱。如果您的身体接地，则会增加电击危险。
- ▶ 不要将电动工具暴露在雨水或潮湿环境中。电动工具进水将会增加电击危险。
- ▶ 不要滥用电缆。切勿使用电缆运送、拉动或拔出电动工具。保持电缆远离高温、油、锋利边缘或运动部件。电缆损坏或缠绕会增加电击危险。
- ▶ 当在户外操作电动工具时，应使用经认可适合户外操作的加长电缆。使用适合户外使用的电缆可减少电击危险。



- ▶ 如果在潮湿环境下操作电动工具是不可避免的，应使用剩余电流动作保护器 (RCD)。使用 RCD 可减小电击危险。

人身安全

- ▶ 保持警觉，注意您正在进行的工作，并在操作电动工具的过程中，应利用自己的判断能力。当您疲劳或受到药物、酒精或医疗影响时，请不要使用电动工具。当操作电动工具时，瞬间的分心都可能导致严重的人身伤害。
- ▶ 使用个人防护装备。一定要戴上护目装置。安全装置，诸如适当条件下使用防尘面具、防滑安全鞋、安全帽、听力防护等装置能减少人身伤害。
- ▶ 防止电动工具意外启动。在连接至电源和/或电池组、拿起或搬运电动工具之前，应确保开关处于“关闭”位置。将手指放在开关上搬运电动工具或在开关处于“打开”位置时接通电源，都可能会导致事故发生。
- ▶ 在打开电动工具之前，必须拿掉任何调整键或扳手。让扳手或调整键留在电动工具的旋转部件上可能会导致人身伤害。
- ▶ 不要操之过急。应时刻保持正确的站姿和平衡。这在意外情况下能够更好地控制电动工具。
- ▶ 应确保正确着装。不要穿着松垮的衣服或佩戴首饰。让头发和衣服远离运动部件。松垮的衣服、首饰或长发会卡在运动部件中。
- ▶ 如果提供有用于连接除尘和集尘设施的装置，应确保将它们连接好并正确使用。使用除尘装置可以减少与灰尘相关的危险。
- ▶ 经常使用工具能令您获得较高的熟练度，但不能因此掉以轻心和忽视工具安全准则。一次不慎操作就会在瞬间导致重伤。

电动工具的使用和维护

- ▶ 不要强制使用电动工具。针对您的应用场合使用正确的电动工具。正确的电动工具在其额定设计值范围内将能够更好和更安全地工作。
- ▶ 如果通过开关不能使其打开和关闭，则请不要使用电动工具。任何不能通过开关进行控制的电动工具都是危险的，必须对其进行修理。
- ▶ 在进行任何调整、更换配件或存放电动工具之前，应从电源上断开插头和/或从电动工具上拆下电池组 (若可拆卸)。此预防性安全措施可减少意外启动电动工具的危险。
- ▶ 将不用的电动工具存放在儿童拿不到的地方，并且不要让不熟悉电动工具或其操作说明的人员操作电动工具。未经培训的用户操作电动工具是危险的。
- ▶ 维护电动工具和配件。检查是否存在运动部件失调或卡滞、部件断裂和任何其它影响电动工具操作的情况。如果存在损坏，则在使用之前应修理电动工具。许多事故都是由于电动工具维护不良造成的。
- ▶ 保持切削工具锋利和清洁。带锋利切削刃的切削工具如果维护得当，很少会发生卡滞且更容易控制。
- ▶ 按照使用说明书，考虑作业条件和进行的作业来使用电动工具、附件和工具的刀头等。将电动工具用于指定用途以外的场合会导致危险。
- ▶ 使手柄和抓握面保持干燥、清洁且没有油脂。如果手柄和抓握面打滑，将无法在意外情况下安全操作或控制本工具。

无绳 (电池操作) 工具/设备的使用和维护

- ▶ 充电时只能使用制造商指定的充电器。适合某种类型电池组的充电器如果被用于为另一类型电池组充电，则可能会带来火灾危险。
- ▶ 只能使用专用电池组为电动工具供电。使用任何其它电池组可能会带来人身伤害和火灾。
- ▶ 当电池组不用时，应使其远离其它金属物体，例如纸夹、硬币、钥匙、钉子、螺钉或其它小的金属物体，以免造成短路。如果电池端子被短路，则会造成人员烧伤或火灾。
- ▶ 如果持续滥用电池，则可能会造成液体从电池中喷射出来；注意避免接触到液体。如果意外接触到液体，应用水冲洗。如果液体接触眼睛，除了用大量清水冲洗外，还应立即就医。从电池中喷射出来的液体会导致疼痛或灼伤。
- ▶ 不要使用损坏或改装过的电池组或工具。损坏或改装过的电池会造成不可预测的情形，导致火灾、爆炸或受伤风险。
- ▶ 不要将电池组或工具暴露在明火或过高的温度中。暴露在明火或超过 130 °C (265 °F) 温度中可能导致爆炸。
- ▶ 遵守所有充电说明，且不要在使用说明规定的温度范围之外对电池组或工具充电。充电不正确或在规定温度范围之外充电会损坏电池并增加火灾风险。

保养

- ▶ 将您的电动工具送交专业维修人员，使用同样的备件进行修理。这样才能确保维持电动工具 (设备) 的安全性。
- ▶ 切勿擅自维修损坏的电池组。仅可由制造商或授权服务提供商执行电池组的维修。

2.2 斜切锯安全提示

- ▶ 斜切锯规定用于切割木材或类似木材的产品，不能用于切割铁质材料，如棒材、钢筋、螺钉等。磨尘会堵塞下部防护罩等移动部件。切割火花会灼伤下部防护罩、垫板和其他塑料部件。



- ▶ 如有可能，用夹具固定工件。用手固定工件时，必须始终确保手与锯片每一侧至少有 100 mm (4 in) 的距离。切勿使用该锯切割太小而无法夹紧或用手握住的工件。如果手离锯片太近，则会增加与锯片接触而受伤的风险。
- ▶ 工件必须固定不动，要么夹紧，要么压在挡块和工作台上。不要将工件推入锯片，也不要“徒手”切割。松动或自行移动的工件可能会被高速甩出，造成伤害。
- ▶ 推动锯机穿过工件。避免拉动锯机穿过工件。如需切割，抬起锯头，将从上方其拉过工件，此过程中不要切割。然后打开电机，向下翻转锯头，将锯机推着穿过工件。拉动锯机进行切割的时，锯片有可能在工件上上升，锯片单元有可能猛烈弹向操作员。
- ▶ 切勿将手越过规定的切割线，无论是在锯片的前面还是后面。“双手交叉”支撑工件，即用左手将工件固定在锯片右侧或反之，都是非常危险的。
- ▶ 当锯片旋转时，不要将手伸到挡块后面。手与旋转着的锯片之间的安全距离不得低于 100 mm (4 in) (锯片两侧均适用，例如在清除废木料时)。可能会出现旋转着的锯片与手的距离无法识别的情况，您可能会受到严重伤害。
- ▶ 开始锯切前需检查工件。如果工件弯曲或扭曲，则应将向外弯曲的一面朝着挡块夹紧。始终确保工件、挡块和工作台之间沿切割线没有间隙。弯曲或扭曲的工件会旋转或移位，导致旋转中的锯片在切割过程中卡住。工件中不得有钉子或异物。
- ▶ 只有当工作台上没有工具、废木料等时，才能使用锯机；工作台上只能有工件存在。接触到旋转中刀片的小块废料、松散木块或其他物体可能会被高速甩出。
- ▶ 每次只能锯切一个工件。多个叠放的工件无法被正确夹紧或固定，可能导致锯片在锯切过程中卡住或滑动。
- ▶ 使用前确保斜切锯所放置的工作台是水平、坚实的。平整坚固的工作面可降低斜切锯不稳定的风险。
- ▶ 规划好您的作业。无论何时调整锯片倾斜度或斜切角，都要确保正确校正可调挡块，并在不接触锯片或防护罩的前提下支撑工件。在不接通机器且工作台上没有工件的情况下，模拟锯片的完整切割运动，以确保没有障碍物或切割到挡块的风险。
- ▶ 给比工作台顶部更宽或更长的工件提供足够的支撑，例如使用工作台加长件或锯木架。长度或宽度超过斜切锯工作台的工件如果没有牢固的支撑，可能会倾翻。如果切割的木头或工件倾翻，它可能会抬起下部防护罩或不受控制地从旋转刀片上甩开。
- ▶ 请勿让其他人员代替工作台加长件或额外的支撑。工件支撑不稳会导致刀片卡住。工件也可能在切割过程中发生移动，将您和助手拉入旋转的刀片中。
- ▶ 不得把切割件压到旋转的锯片上。如果空间狭小，例如使用纵向挡块时，切割件可能会被刀片楔入并被猛烈甩出。
- ▶ 始终使用夹具或合适的装置来适当支撑如棒材或管材等圆形材料。棒材在切割时容易滚动，使锯片“咬合”，导致工件将您的手一起拉入锯片。
- ▶ 在切入工件之前，让锯片达到全速。这样能降低工件向前被甩出的风险。
- ▶ 如果工件卡住或锯片卡止，请关闭斜切锯。等到所有移动部件静止后，拔下电源插头和/或取出电池。然后清除引起卡止的材料。如果在这种卡止情况下继续锯切，可能会失去控制或损坏斜切锯。
- ▶ 切割完成后，松开开关，按住锯头，等待锯片静止后再取下锯切件。把手伸到锯片附近是非常危险的。
- ▶ 在进行不完整的锯切或在锯头到达较低位置之前松开开关时，请握紧手柄。锯机的制动效果会导致锯头被向下猛拉，从而有受伤的危险。

2.3 附加安全说明

- ▶ 只有产品和附件处于良好的技术状态时才能使用。
- ▶ 切勿以任何方式擅自改动或改装本产品或附件。
- ▶ 工具或/或附件掉落会带来人身伤害的危险。开始工作前请检查电池和安装的附件是否已牢牢固定。
- ▶ 磨削、抛光、切割和钻孔过程中产生的粉尘可能包含有害化学物质。一些例子包括：铅或铅基涂料；砖、混凝土、其他砖石产品、天然石材和其他含硅酸盐的产品；一些木材，例如橡木、山毛榉和化学处理过的木材；石棉或含石棉的材料。根据所处理材料的危险等级，确定操作员和附近人员的暴露程度。采取必要的措施将暴露保持在安全水平内，例如使用集尘系统或佩戴适当的呼吸防护装置。减少暴露的一般措施包括：
 - ▶ 在通风良好的区域进行操作，
 - ▶ 避免长时间接触粉尘，
 - ▶ 清除脸部和身体上的粉尘，
 - ▶ 穿着防护服并用肥皂和水清洗暴露的部位。
- ▶ 使用该产品时，请佩戴护目镜、安全帽、护耳装置和适当的呼吸防护装置。
- ▶ 适当休息并活动手指，以改善手指的血液循环。工作期间长时间暴露于强烈振动环境中可能导致手指、手掌和手腕部位血管和神经系统紊乱。
- ▶ 始终保持通风孔畅通。遮盖通风孔会有火灾风险！



- ▶ 如果已经将锯头向下引导了，就不要松开手柄。始终以受控方式让锯头返回上部位置。如果锯头不受控制地移动，可能会导致人员受伤。
- ▶ 不要使用钝化的、破裂的、弯曲的或损坏的锯片。如果锯片的锯齿变钝或未对齐，则可能会因为锯口过窄而导致摩擦力增大，导致锯片被夹住和反冲。
- ▶ 切勿在锯机运行时从锯切区域清除切割残留物、木屑或类似物品。始终先关闭锯机，然后将锯头引导回上部位置。
- ▶ 仅使用本产品许用的、且与技术数据及/或产品中的信息(比如直径、转速、厚度、固定孔径、材料等)相符的、经验证符合 EN 847-1 标准且已标明的锯片。
- ▶ 请仅使用额定最高允许转速不低于本产品规定的最高转速的锯片。
- ▶ 工作完毕后，在锯片完全冷却前，不得抓取锯片。工作期间，锯片温度非常高。
- ▶ 更换锯片时，戴上防护手套。
- ▶ 每次使用前，请检查防护罩是否正确关闭。向下移动锯头，并控制住锯头，让其移动回上部位置。如果防护罩在锯头抬升的过程中不能自由运动和无法即刻闭合，则不得使用圆锯。切勿在打开的位置夹住或系紧下部防护罩。
- ▶ 切勿在不带防护罩的情况下使用本产品。
- ▶ 切割铝型材时，刀具需始终以低速运行。
- ▶ 请务必使用并固定好装在产品上的附加支撑。
- ▶ 运输产品时，只能握住产品的指定位置(握把槽和运输把手)。切勿抓住滑动臂或手柄搬运本电动工具。
→ 页码 336
- ▶ 避免锯片齿尖过热。切割塑料时，避免熔化塑料。

2.4 小心处理和使用电池

- ▶ 请遵守以下关于安全操作和使用锂离子电动工具电池的安全提示。若未能遵守，会导致皮肤刺激、严重的腐蚀伤、化学烫伤、火灾和/或爆炸。
- ▶ 只有电池处于良好的技术状态时才能使用。
- ▶ 请小心地处理电池，以防损坏电池和避免对健康极有害的液体泄漏！
- ▶ 严禁改装或篡改电池！
- ▶ 不要分解、挤压或焚烧电池，不要将其暴露在高于 80 °C (176 °F) 的温度条件下。
- ▶ 对于遭受过撞击或有其他损坏的电池，切勿使用或对其进行充电。定期检查电池是否有损坏的迹象。
- ▶ 切勿使用回收的或修理过的电池。
- ▶ 切勿将电池或电池供电的电动工具用作锤子。
- ▶ 切勿将电池暴露在直射的阳光下、高温、火花或明火中。可能会导致爆炸。
- ▶ 切勿用手指、工具、珠宝或其他导电物体接触电池极片。否则会损坏电池，造成财产损失和人身伤害。
- ▶ 确保电池远离雨水、潮气和液体。受潮会导致短路、漏电、燃烧、火灾或爆炸。
- ▶ 仅限使用经批准用于特定电池类型的充电器和电动工具。阅读并遵守相关操作说明中的规定。
- ▶ 不得在易爆环境中存放或使用电池。
- ▶ 如果电池发热烫手，则可能有故障。请将电池放在醒目且无火灾风险的地方，并与易燃物品保持足够距离。让电池自行冷却。如果一小时后电池仍然发热烫手，则表示存在故障。请联系 Hilti 维修中心或阅读文档“有关 Hilti 锂离子电池安全性和使用的提示”。

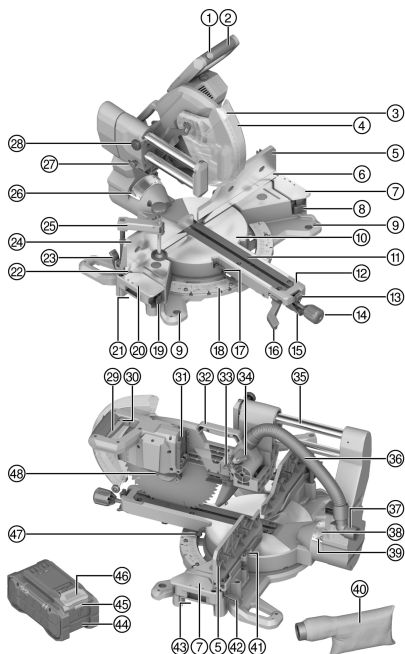


请遵守适用于锂离子电池运输、存储和使用的特殊准则。

请通过扫描该操作说明末尾的二维码来阅读有关 Hilti 锂离子电池安全性和使用的提示。



3.1 产品概览



- ① 开机锁
- ② 手柄
- ③ LED 锯切显示
- ④ 防护罩
- ⑤ 右侧上部斜切挡块
- ⑥ 右侧下部斜切挡块
- ⑦ 右侧附加支撑
- ⑧ 右侧附加支撑解锁杆
- ⑨ 固定孔
- ⑩ 转盘
- ⑪ 开槽板
- ⑫ 转盘臂
- ⑬ 转盘解锁杆卡止位置
- ⑭ 转盘锁定旋钮
- ⑮ 转盘解锁杆
- ⑯ 垂直斜切角解锁杆
- ⑰ 左侧水平斜切角指示器
- ⑱ 水平斜切角刻度尺
- ⑲ 左侧附加支撑解锁杆
- ⑳ 左侧附加支撑
- ㉑ 左侧握把槽
- ㉒ 左侧下部斜切挡块
- ㉓ 左侧上部斜切挡块解锁杆
- ㉔ 左侧上部斜切挡块
- ㉕ 螺栓夹
- ㉖ 左侧垂直斜切角指示器
- ㉗ 运输固定装置
- ㉘ 拉出器固定螺栓
- ㉙ 电源开关
- ㉚ 挂锁孔
- ㉛ 电池接口
- ㉜ 运输把手
- ㉝ 限深器挡板
- ㉞ 限深器
- ㉟ 拉出器/导杆
- ㊱ 除尘装置连接软管
- ㊲ 抽吸嘴
- ㊳ 垂直斜切角刻度尺
- ㊴ 右侧垂直斜切角指示器
- ㊵ 集尘袋
- ㊶ 内六角扳手
- ㊷ 右侧上部斜切挡块解锁杆
- ㊸ 右侧握把槽
- ㊹ 电池
- ㊺ 电池状态指示器
- ㊻ 电池解锁按钮
- ㊼ 右侧水平斜切角指示器
- ㊽ 主轴锁止装置



3.2 合规使用

所述产品是无绳斜切锯。本产品设计用于锯切木材、木制品、塑料和铝型材。本产品可执行横切、斜切和角度切割。

本产品配有一个集屑软管接头，可连接常见的吸尘器软管。必须使用合适的适配器，以便将除尘器软管也连接至锯机。

- 仅搭配使用随附的切屑袋或合适的除尘器。
- 仅使用产品允许的且与技术数据中的信息相符的锯片 (比如直径、转速、厚度、材料等)。禁止使用由高合金高速钢 (HSS 钢) 制成的磨削和切割砂轮与锯片。
- 切勿使用本产品切割镁。
- 本产品只能与 Hilti Nuron B 22 系列锂离子电池搭配使用。为确保最佳功率，Hilti 建议为本产品使用该操作说明末尾表格中给出的电池。
- 此类电池仅限使用该操作说明末尾表格所规定型号系列的 Hilti 充电器充电。

3.3 包装清单

斜切锯、锯片、夹紧法兰、固定法兰、夹紧螺栓、内六角扳手、螺栓夹、锁定旋钮、转盘、操作说明书
经认证可配合本产品使用的其它系统产品，可以通过您当地的 **Hilti Store** 购买或通过以下网址订购：
www.hilti.group

3.4 锂离子电池指示灯

Hilti Nuron 锂离子电池可以显示电池的充电状态、出错信息和状态。

3.4.1 充电状态和出错信息的显示



人身伤害的危险！电池掉落的危险！

▶ 在插入电池的情况下按压解锁按钮后，确保将电池重新正确锁定在所用的产品中。

请短暂按压电池的解锁按钮，以获得下列指示灯指示之一。

只要连接的产品已接通，便会持续显示充电状态和可能的故障。

状态	含义
四个 (4) LED 灯持续亮起绿光	充电状态：100 % 至 71 %
三个 (3) LED 灯持续亮起绿光	充电状态：70 % 至 51 %
两个 (2) LED 灯持续亮起绿光	充电状态：50 % 至 26 %
一个 (1) LED 灯持续亮起绿光	充电状态：25 % 至 10 %
一个 (1) LED 灯缓慢闪绿光	充电状态：< 10%
一个 (1) LED 灯快速闪绿光	锂离子电池电量耗尽。为电池充电。 如果在为电池充电后 LED 灯始终快速闪烁，请联系 Hilti 维修中心。
一个 (1) LED 灯快速闪黄光	锂离子电池或与其相连的产品过载、过热、过冷或存在其他故障。 使产品和电池达到建议的工作温度，并且在使用时不要使产品过载。 如果信息仍然存在，请联系 Hilti 维修中心。
一个 (1) LED 灯亮起黄光	锂离子电池和连接的产品不兼容。请联系 Hilti 维修中心。
一个 (1) LED 灯快速闪红光	锂离子电池被锁定且无法继续使用。请联系 Hilti 维修中心。

3.4.2 电池状态的显示

如要检查电池状态，请按住解锁按钮三秒钟以上。系统未检测到由于掉落、刺穿、外部热损坏等错误使用而引起的电池潜在故障。

状态	含义
所有 LED 灯都作为运行灯亮起，接着有一个 (1) LED 灯持续亮绿光。	电池可以继续使用。



状态	含义
所有 LED 灯都作为运行灯亮起，接着有一个 (1) LED 灯快速闪黄光。	未能完成电池状态的查询。请重复该过程或联系 Hilti 维修中心。
所有 LED 灯都作为运行灯亮起，接着有一个 (1) LED 灯持续亮红光。	如果仍然可以继续使用所连接的产品，则电池剩余电量不足 50%。 如果无法再使用所连接的产品，则电池的使用寿命即将结束，应予以更换。请联系 Hilti 维修中心。

4 技术数据

4.1 产品特性

额定电压	21.6 V	
无负荷下的额定转速	4,300 rpm	
锯片直径	305 mm	
锯片厚度	0.5 mm ... 1.5 mm	
锯片心轴尺寸	30 mm	
锯宽	3.2 mm	
最大水平斜切角	右	≤ 60°
	左	≤ 52°
最大垂直斜切角	右	≤ 48°
	左	≤ 48°
最大切割能力，与其他尺寸或斜切角无关	高度	≤ 100 mm
	宽度	≤ 360 mm
重量	25.6 kg (根据 EPTA-Procedure 01，不含电池)	
适合工作的环境温度	-17 °C ... 60 °C	
存放温度	-20 °C ... 70 °C	

4.2 电池

电池工作电压	21.6 V
电池重量	参见操作说明结尾
适合工作的环境温度	-17 °C ... 60 °C
存放温度	-20 °C ... 40 °C
电池充电起始温度	-10 °C ... 45 °C

4.3 噪音信息和振动值按照 EN 62841 标准

这些说明中给出的声压和振动值按照标准化测试的要求测得，可用于比较一种电动工具与另一种电动工具。它们还可用于初步评价受振动影响的程度。

提供的数据代表本电动工具的主要应用。但是，如果将电动工具用于不同的应用、使用不同的配套工具或维护不良，则数据可能不同。这可能会显著增加操作者在整个工作期间受振动影响的程度。

对受振动影响程度的准确估计还应考虑当关闭电动工具或当它运行但实际未进行工作时情况。这可能会显著减小操作者在整个工作期间受振动影响的程度。

此外，应确定附加安全措施，以保护操作者免受噪音和/或振动影响，例如：正确维护电动工具和配套工具、保持双手温暖、制订合理的工作计划等。

噪音信息

声功率级 (L_{WA})	101 dB(A)
声压级 (L_{pA})	90 dB(A)
不确定性系数 (对于 L_{WA} 和 L_{pA})	3 dB(A)



总振动值

振动排放值	B 22-55	≤ 2.5 m/s ²
	B 22-255	≤ 2.5 m/s ²
不确定性系数		1.5 m/s ²

4.4 最大切割能力

指定的高度和宽度尺寸会相互影响。允许的最大高度及宽度数值请参见章节 产品特性。 → 页码 326

水平斜切角	垂直斜切角	高 x 宽
0°	0°	100 mm x 355 mm
	向右 22.5°	72 mm x 355 mm
	向左 22.5°	90 mm x 355 mm
	向右 30°	60 mm x 355 mm
	向左 30°	78 mm x 355 mm
	向右 45°	40 mm x 355 mm
	向左 45°	65 mm x 340 mm
	向右 48°	30 mm x 355 mm
	向左 48°	50 mm x 355 mm
向右 45° 向左 45°	0°	100 mm x 250 mm
	向右 45°	40 mm x 250 mm
	向左 45°	62 mm x 250 mm
向左 52°	0°	100 mm x 200 mm
	向右 45°	40 mm x 220 mm
	向左 45°	62 mm x 220 mm
向右 60°	0°	100 mm x 176 mm
	向右 45°	40 mm x 178 mm
	向左 45°	30 mm x 190 mm

5 工作现场的准备工作

-警告-

人身伤害的危险！意外启动的风险！

- ▶ 插入电池前，确保已关闭产品。
- ▶ 对电动工具执行任何调节或更换配件前，先取出电池。

请遵守本文档中以及产品上的安全说明和警告。

5.1 安装锁定旋钮

在运输状态下，转盘锁定旋钮并未安装。必须在使用锯机前装上。

- ▶ 将锁定旋钮拧入转盘臂中。

5.2 给电池充电

1. 为电池充电之前，请阅读充电器的操作说明。
2. 确保电池和充电器上的触点均清洁、干燥。
3. 使用认可的充电器为电池充电。 → 页码 325

5.3 插入电池

-警告-

人身伤害的危险！短路或电池掉落会带来人身伤害的危险！

- ▶ 装入电池之前，确保电池和产品上的触点上均无异物。
- ▶ 确保电池接合正确。



1. 在首次使用电池之前，要给电池完全充电。
2. 将电池推入产品，直至听到卡止声。
3. 检查并确认电池已可靠就位。

5.4 拆下电池

1. 按下电池释放按钮。
2. 从产品中取出电池。

5.5 安装产品

产品必须固定在平整、稳定的表面上。

1. 将产品放置在平整、稳定的表面上。
2. 通过工作面上的固定孔拧紧产品。为此请使用合适的螺栓。
3. 或者，用市售螺栓夹将设备支脚夹在工作面上。



Hilti 还提供一个可选的底座，产品可以安装在该底座上以供移动使用。

5.6 放至工作位置 2

1. 轻轻按下锯头，拔出运输固定装置。
2. 控制住锯头，将它向上引导。

5.7 除尘装置

5.7.1 安装集尘袋

集尘袋可让您清洁地工作，并收集大部分产生的灰尘。

- ▶ 将集尘袋插到抽吸嘴上。

5.7.2 连接除尘器

除尘器必须适用于待加工的材料。吸除危害健康、致癌或干燥的灰尘时，请使用合适的专用除尘器。

- ▶ 将吸尘软管插到抽吸嘴上。

5.8 安装锯片 3

请确保保持夹紧的锯片符合技术要求且足够锋利。锋利的锯片对于精确切割是必需的。

1. 清洁固定法兰和夹紧法兰。
2. 将固定法兰正确无误地插到驱动主轴 (1) 上。
3. 打开摆式防护罩 (2)。
4. 安装新的锯片。



遵守锯片和产品上箭头指示的旋转方向 (3)。它们必须一致。

5. 按照正确的定位安装外部夹紧法兰 (4)。
6. 拧入夹紧螺栓。
7. 将内六角扳手插进锯片夹紧螺栓。
8. 按下并按住主轴锁止装置 (5)。
9. 使用内六角扳手拧紧夹紧螺栓 (6)。
10. 检查锯片的位置是否正确。
11. 检查锯片能否自由移动。在任何设置 (水平和/或垂直斜切角) 期间，锯片不得与锯机的其他部件接触。
12. 将内六角扳手插到规定的支座中。

5.9 取下锯片 4



-警告-

锯片、夹紧螺栓和夹紧法兰有烧伤和割伤风险 可能导致烧伤和割伤。

- ▶ 更换配套工具时应佩戴防护手套。



1. 按下并按住主轴锁止装置 (1)。
2. 使用内六角扳手松开夹紧螺栓 (2)。
3. 移除夹紧螺栓和夹紧法兰 (3)。
4. 打开摆式防护罩 (4)，移除锯片 (5)。



如有需要，可取下固定法兰进行清洁。

6 操作

请遵守本文档以及产品上的安全说明和警告。

6.1 锁定/松开拉出器 5

拉出器可以锁定在任意位置。

1. 要锁定拉出器，顺时针旋转锁紧螺栓 (1)。
 - ▶ 锁紧螺栓牢牢夹住滑动杆，防止滑动。
2. 如需松开拉出器，逆时针旋转锁紧螺栓 (1)。

6.2 在限深器上设置切深 6

例如，需要锯切凹槽时，可使用限深器。

1. 翻转限深器的挡板 (1)，使限深器在锯头下降时不会穿过开口。
2. 通过滚花螺栓 (2) 设置所需切深。
3. 如果不再需要限制切深，翻转限深器的挡板 (1)，使限深器在锯头下降时穿过开口。

6.3 加长锯台 7



- 警告 -

长工件有导致人身伤害的危险。长工件在锯切过程中会不受控制地倾斜，抬起防护罩，卡住锯片并导致回弹。

- ▶ 用额外的锯木架或类似底部结构支撑住长工件。

锯台的接触面可以借助右侧和/或左侧的附加支撑来扩大。

1. 打开附加支撑的解锁杆 (1)。
2. 拉出附加支撑 (2)。
3. 锁止附加支撑的解锁杆 (1)。
4. 如有必要，为对面的附加支撑重复上述步骤。

6.4 设置上部斜切挡块 8, 9

根据水平和/或垂直斜切角的设置，必须将上部斜切挡块向外拉出或完全移除。

1. 打开左侧或右侧上部斜切挡块的解锁杆 (1)。
2. 将上部斜切挡块 (2) 向外拉动所需幅度或拆除斜切挡块。
3. 合上解锁杆 (1)。
 - ▶ 在进行直线锯切时，将上部斜切挡块重新安装到最内侧的位置。
4. 如果上部斜切挡块已被移除，它也可以固定到附加支撑的滑杆上，以便在锯切过程中安全存放。

6.5 设置水平斜切角 10



- 警告 -

未锁定的转盘会带来人身伤害的危险。未锁定的转盘在锯切过程中可能会旋转，导致工件倾斜，从而引起回弹。

- ▶ 进行锯切前，始终拧紧转盘上的锁定旋钮。



为了快速精确地设置常用的水平斜切角，水平斜切角的刻度尺上有凹槽。转盘可以卡入这些凹槽。

水平斜切角的锁定位置

左	中间	右
45° ; 31.6° ; 22.5° ; 15°	0°	15° ; 22.5° ; 31.6° ; 45° ; 60°

- ▶ 如有必要，可以松开转盘上的锁定旋钮 (2)。
- ▶ 向上 (1) 拉并拉住转盘解锁杆，将转盘转到所需水平斜切角 (3) 之前。
- ▶ 松开转盘解锁杆，将转盘继续旋转到所需水平斜切角，直到锁扣结合。
- ▶ 拧紧转盘上的锁定旋钮 (2)。

除了标准斜切角之外，还可根据需要设置水平斜切角。

- ▶ 如有必要，可以松开转盘上的锁定旋钮 (2)。
- ▶ 将转盘 (1) 的解锁杆向上拉并卡止 (4)。
- ▶ 将转盘设置为所需水平斜切角 (3)。
- ▶ 拧紧转盘上的锁定旋钮 (2)。

6.6 设置垂直斜切角 11

-警告-

未锁定的倾斜角会带来人身伤害的危险。如果未锁定垂直斜切角设置，锯头可能会在切割过程中倾斜并导致回弹。

- ▶ 进行设置后，始终要将垂直斜切角的解锁杆完全向下按，以锁定倾斜度。

-小心-

上部斜切挡块会带来人身伤害的危险。如果设置了垂直斜切角，锯片可能会与上部斜切挡块相撞，造成损坏和回弹。

- ▶ 每次调节垂直斜切角后，检查锯片是否能自由移动，并根据需要向外移动上部斜切挡块。

锯头可卡止在多个位置，以便快速、精确地设置常用的垂直斜切角。

垂直斜切角的锁定位置

左	中间	右
45° ; 33.9° ; 22.5°	0°	22.5° ; 33.9° ; 45°

- ▶ 将垂直斜切调节解锁杆向上拉来松开它 (2)。
- ▶ 将垂直斜切调节解锁杆向上拉到底，让锯头可以自由活动 (3)。
- ▶ 松开解锁杆，倾斜锯头，直到锁扣接合。
 - ▶ 锯头可在上述任何位置卡止。
- ▶ 然后将解锁杆按到底 (1)，以便将锯头锁定在调节位置。
- ▶ 设置垂直斜切角时，请将垂直斜切调节解锁杆保持在顶部位置 (3)，直到达到所需的垂直斜切角。
- ▶ 然后将解锁杆向下按到底 (1)，以便将锯头锁定在设置位置。
- ▶ 调节上部斜切挡块，使其不与锯片碰撞。→ 页码 329

6.7 激活切割线显示

锯机带有切割线显示功能。锯头上的 LED 灯照亮工作区域，并通过锯片产生阴影，由此精确显示切割线。

1. 激活电源开关，但不要按下开机锁。
 - ▶ LED 灯已激活。
2. 将锯头向下引导。
 - ▶ 锯片的影子会投射在工件上，显示出切割线。
3. 如有必要，将工件或水平和/或垂直斜切角的设置调整到适合切割线。



6.8 定位并固定工件 **12**, **13**, **14**

-警告-

木材扭曲可能带来人身伤害的危险。扭曲和/或弯曲的工件会使锯片倾斜，导致回弹。

- ▶ 在放置扭曲或弯曲的工件时，始终要让其向外弯曲的一侧靠着斜切挡块。定位工件时，切勿使工件与斜切挡块之间产生气隙。

-警告-

工件定位不当会带来人身伤害的危险。工件定位不当会使锯片倾斜，导致回弹。

- ▶ 始终将工件定位在转盘、支撑和斜切挡块上，并使其有尽可能大的接触面。

-警告-

未固定的工件会带来人身伤害的危险！如果没有将工件正确固定在斜切挡块上，工件可能会在切割运行期间移动，并可能损坏锯片，导致工件被甩出并失去控制。

- ▶ 在所有操作过程中，必须用螺栓夹将工件牢牢固定在转盘和斜切挡块上。

-警告-

锯机部件与螺栓夹接触会带来人身伤害的危险！如果接触螺栓夹，可能损坏锯片。螺栓夹可能会阻碍保护装置，使其功能受到限制。锯头的运动会受到螺栓夹的限制，从而可能导致回弹。

- ▶ 在锯机关闭的情况下尝试预期的移动。确保锯机的任何部件都不会接触到螺栓夹。
- ▶ 如有必要，可将螺栓夹移动到锯机上的另一个位置。
- ▶ 按下螺栓夹上的释放按钮 **(2)**，将螺纹杆向上拉，直到挡块。
- ▶ 将螺栓夹插入其中一个预留的开口中 **(1)**。
- ▶ 将工件紧紧按到下方的斜切挡块上。
- ▶ 按下螺栓夹上的释放按钮，根据工件快速调整螺纹杆 **(2)**。
- ▶ 将螺栓夹钳向后（与螺纹杆 **(3)** 的位置相反）倾斜。然后顺时针旋转螺纹杆，拧紧螺纹杆，将工件 **(4)** 固定到位。
 - ▶ 沿逆时针方向旋转螺纹杆即可松开工件。然后按下螺栓夹上的释放按钮，将螺纹杆向上拉，直到挡块。

6.9 设置转速

- ▶ 使用转速调节旋钮设置所需转速。

6.10 接通/关闭

-警告-

由于回弹带来人身伤害的危险。

- ▶ 仅当锯片不接触工件时才启动锯机。

-警告-

由于回弹带来人身伤害的危险。

- ▶ 关机后，将锯头置于最低位置，直至锯片停转。

1. 按下并按住开机锁。
2. 按下并按住电源开关。
 - ▶ 锯机运行。
3. 松开电源开关，即可关闭锯机。

6.11 锯切 **15**

-警告-

手或手臂放错位置会带来人身伤害的危险。如果位置不正确，正在运行的锯片可能会击中手臂和手，造成严重伤害。

- ▶ 锯切时切勿交叉双臂。切勿用手臂或手越过切割线。
- ▶ 保持双臂和双手在锯片左右两侧标注的危险区域以外。

使用斜切锯时，正确的身体和手部姿势使切割更容易、更准确、更安全。



在地面上站稳，保持平衡。如果将斜切臂向左和向右移动，请跟随斜切臂并稍微站在锯片的侧面。保持锯片左侧 230 mm (9 in) 和右侧 270 mm (10.4 in) 的危险区域畅通。请确保您的手、手臂以及身体部位远离此危险区域。
双手停留在原位，直到电源开关松开、锯片完全停止为止。



轻轻地、有控制地按下锯头以进行锯切。对切割线施加过大的压力或横向力会导致锯片振动，使工件上产生额外的锯痕，并影响切割精度。

6.11.1 无推移动作的锯切 (横切)



-警告-

未锁定的拉出器会带来人身伤害的危险。未锁定的拉出器会导致锯头意外滑动，从而引起回弹。

▶ 始终将拉出器锁定到位，以进行横切。

1. 将锯头向后推至挡块 (推离自己)。
2. 锁定拉出器。→ 页码 329
3. 调整限深器的挡板，使限深器在锯头下降时穿过开口。→ 页码 329
4. 根据待执行切割的要求调整锯机的所有设置 (角度、斜切挡块、接触面)。
5. 固定工件。→ 页码 331
6. 接通锯机。→ 页码 331
7. 将锯头缓慢向下引导，通过均匀进给锯切工件。
8. 关闭锯机，并等待直到锯片静止。
9. 将锯头引导回上部位置。

6.11.2 用推移动作进行锯切



-警告-

锯头运动错误会导致回弹。锯头在切割过程中的推移动作不正确会导致回弹。

- ▶ 锯切前一定要先将锯头完全拉出，然后降低锯头，再将锯头推向斜切挡块。
- ▶ 当锯片已插入工件时，切勿将锯头拉向自己。



用推移动作进行锯切时，要轻柔地将锯头推向斜切挡块，中间不要停顿。如果在锯切过程中推移动作中断，锯片会在工件上留下痕迹，从而影响切割精度。

1. 必要时松开拉出器。→ 页码 329
2. 调整限深器的挡板，使限深器在锯头下降时穿过开口。→ 页码 329
3. 根据待执行切割的要求调整锯机的所有设置 (角度、斜切挡块、接触面)。
4. 固定工件。→ 页码 331
5. 将锯头完全拉向您。
6. 接通锯机。→ 页码 331
7. 将锯头缓慢向下引导。
8. 将锯头保持在最低位置，然后慢慢向后推 (远离自己)。通过均匀进给锯切工件。
9. 关闭锯机，并等待直到锯片静止。
10. 将锯头引导回上部位置。

6.11.3 锯切凹槽

1. 将限深器设置为需要的锯切深度。→ 页码 329
2. 用推移动作执行锯切。→ 页码 332

6.11.4 锯切型材条



-警告-

工件固定不当会带来人身伤害的危险。工件固定不当会使锯片倾斜，导致回弹。

- ▶ 如果将型材条靠在斜切挡块上，尤其应确保型材条得到充分固定，防止移动。→ 页码 331

型材条可以以两种不同的方式锯切：

- 紧靠斜切挡块
- 平放在锯切台上



- ▶ 根据型材条的宽度，在推动或不推动的情况下进行锯切。
- ▶ 首先在废木料上测试所设置的水平和/或垂直斜切角。

7 维护和保养

-警告-

插入电池时存在人身伤害危险！

- ▶ 执行维护和保养任务之前，请务必先取出电池。

工具的保养

- 请小心地清除顽固污渍。
- 用干燥的软毛刷小心地清洁通风孔。
- 请仅使用微湿的抹布清洁外壳。不要使用含硅清洁剂，否则可能腐蚀塑料件。
- 用干燥干净的布清洁产品触点。
- 定期清洁拉出器的滑杆和附加支撑。每次清洁后，在所有滑动杆上滴几滴机油。
- 定期清洁上部斜切挡块的接触面。必要时给接触面涂润滑脂。

锂离子电池的保养

- 切勿使用通风孔堵塞的电池。用干燥的软毛刷小心地清洁通风孔。
- 避免不必要地将电池暴露在粉尘或污垢中。切勿将电池暴露在高湿度的环境中（例如将其浸在水中或放在雨中）。
如果电池浸湿，请如处理损坏的电池那样对其进行处理。将其隔离在不可燃的容器中，然后联系 Hilti 维修中心。
- 确保电池远离油和油脂。切勿让不必要的粉尘或脏污积聚在电池上。用干燥的软毛刷或干燥柔软的布清洁电池。不要使用含硅清洁剂，否则可能腐蚀塑料件。
请勿触摸电池触点或从触点上去除出厂涂的油脂。
- 请仅使用微湿的抹布清洁外壳。不要使用含硅清洁剂，否则可能腐蚀塑料件。

维护

- 定期检查所有可见部件和控制器是否出现损坏迹象，确保其全部正常工作。
- 如果发现产品有损坏和/或有功能故障，请不要使用。立即将本产品交给 Hilti 维修中心修复。
- 清洁和维护之后，安装所有保护装置并检查其功能是否正常。



为确保安全和可靠的操作，仅使用原装备件和耗材。经 Hilti 许可与产品搭配使用的备件、耗材和附件可到您当地的 Hilti Store 购买或访问：www.hilti.group

7.1 清洁保护装置

1. 取下锯片。→ 页码 328
2. 使用干燥的刷子小心地清洁保护装置。
3. 使用适当的工具清除保护装置内部的积垢或切屑。
4. 安装锯片。→ 页码 328

7.2 清洁吸尘适配器和连接软管

1. 拆下集尘袋或已连接的除尘器吸尘软管。
2. 松开锯头 (1) 上连接软管的固定螺栓。
3. 将连接软管从锯头 (2) 和吸尘适配器的上拉开。
4. 清空连接软管，用干燥的刷子进行清洁。
5. 用干燥的刷子清洁锯头上的排屑槽和吸尘适配器。
6. 将连接软管再次插到吸尘适配器和锯头上。
7. 拧紧锯头上连接软管的固定螺栓。
8. 装上集尘袋或重新连接除尘器。→ 页码 328

7.3 清空集尘袋

1. 将集尘袋从吸尘适配器上拔下。
2. 打开集尘袋的拉链并妥善废弃处理内容物。
3. 拉上集尘袋的拉链。
4. 重新将集尘袋安装到吸尘适配器上。→ 页码 328



7.4 检查并校正设置和显示

斜切锯出厂时已进行了仔细的设置和校正。然而，在频繁使用或粗加工后，可能有必要检查锯机的设置和显示，并在必要时进行校正。

要测试和校正锯机，您需要经验和专用工具。

Hilti 建议仅由 Hilti 维修中心校正锯机。



在所有测试和设置工作时，不要用角度规接触锯齿尖。这样所测得的结果是错误的。角度规必须始终与锯片匹配。

7.4.1 检查垂直斜切角

1. 将锯头向后推至挡块 (推离自己)。
2. 调整限深器的挡板，使限深器在锯头下降时穿过开口。→ 页码 329
3. 将水平斜切角设置为 0° 。
4. 将锯头向下按，然后推入运输固定装置以锁定锯头。
5. 将垂直斜切角设置为 0° 。
6. 将角度规设置为 90° 。
7. 将角度规垂直且齐平地放置在锯台上。
8. 将角度规朝锯片移动。
 - ▶ 角度规必须沿整条线与锯片齐平。
9. 将垂直斜切角设置为向右 45° 。
10. 将角度规设置为 45° (对于左侧测量，则为 135°)。
11. 将角度规垂直且齐平地放置在锯台上。
12. 将角度规朝锯片移动。
 - ▶ 角度规必须沿整条线与锯片齐平。
13. 针对向左 45° 的垂直斜切角，重复这些步骤。

结果 1 / 2

角度规在所有三次测量中均沿整条线与锯片齐平。

- ▶ 锯机已正确校正。

结果 2 / 2

在一次或多次测量中，角度规和锯片不齐平。

- ▶ 联系 Hilti 维修中心。

7.4.2 校正垂直斜切角指示器

1. 检查垂直斜切角是否精准。→ 页码 334
2. 将垂直斜切角设置为 0° 。
3. 松开一个垂直斜切角指示器的固定螺栓，并将其准确地设置为 0° 显示。
4. 重新手动拧紧固定螺栓。在此过程中，让指示器准确地保持在 0° 显示上。
5. 必要时对第二个垂直斜切角指示器重复该步骤。
6. 检查实际垂直斜切角与向右 45° 角和向左 45° 角的两个指示器是否一致。
 - ▶ 如果在检查过程中，某个指示器与实际角度有一处或多处不一致，且无法进行充分校正，请联系 Hilti 维修中心。

7.4.3 检查水平斜切角

1. 将锯头向后推至挡块 (推离自己)。
2. 调整限深器的挡板，使限深器在锯头下降时穿过开口。→ 页码 329
3. 将垂直斜切角设置为 0° 。
4. 将锯头向下按，然后推入运输固定装置以锁定锯头。
5. 将水平斜切角设置为 0° 。
6. 将角度规设置为 90° 。
7. 将角度规平放在锯台上，与斜切挡块齐平。
8. 将角度规朝锯片移动。
 - ▶ 角度规必须沿整条线与锯片齐平。
9. 将水平斜切角设置为向右 45° 。
10. 将角度规设置为 45° (对于左侧测量，则为 135°)。
11. 将角度规平放在锯台上，与斜切挡块齐平。



- 将角度规朝锯片移动。
 - ▶ 角度规必须沿整条线与锯片齐平。
- 针对向左 45° 的水平斜切角，重复这些步骤。

结果 1 / 2

角度规在所有三次测量中均沿整条线与锯片齐平。

- ▶ 锯机已正确校正。

结果 2 / 2

在一次或多次测量中，角度规和锯片不齐平。

- ▶ 请校正水平斜切角或联系 Hilti 维修中心。→ 页码 335

7.4.4 校正水平斜切角及刻度尺 20

- 将转盘卡止在 0° 位置。
- 松开转盘上的锁定旋钮。
- 松开水平斜切角刻度尺的四个固定螺栓。
- 将角度规设置为 90°。
- 将角度规平放在锯台上，与斜切挡块齐平。
- 将角度规朝锯片移动。使用角度规校正转盘，包括水平斜切角的刻度尺。
 - ▶ 角度规必须沿整条线与锯片齐平。
- 拧紧转盘上的锁定旋钮，防止转盘移动。
- 拧紧水平斜切角刻度尺的四个固定螺栓。
- 检查向右 45° 和向左 45° 的水平斜切角。→ 页码 334

结果 1 / 2

在水平斜切角为向右 45° 和向左 45° 时，角度规沿着整条线与锯片齐平。

- ▶ 锯机已正确校正。

结果 2 / 2

在一次或多次测量中，角度规和锯片不齐平。

- ▶ 联系 Hilti 维修中心。

7.4.5 校正水平斜切角指示器 21

- 检查水平斜切角是否精准。→ 页码 334
- 必要时校正水平斜切角。→ 页码 335
- 将水平斜切角设置为 0°。
- 松开一个水平斜切角指示器的固定螺栓，并将其准确地设置为 0° 显示。
- 重新手动拧紧固定螺栓。在此过程中，让指示器准确地保持在 0° 显示上。
- 必要时对第二个水平斜切角指示器重复该步骤。
- 检查实际水平斜切角与向右 45° 角和向左 45° 角的两个指示器是否一致。
 - ▶ 如果在检查过程中，某个指示器与实际角度有一处或多处不一致，且无法进行充分校正，请联系 Hilti 维修中心。

7.5 更换集尘器 22

-警告-

导流板安装不正确会带来人身伤害的危险。如果导流板安装方向错误，锯片可能会被卡住。导流板或锯片可能会断裂，锯片碎片可能会被甩出。

- ▶ 安装导流板时，请确保它们以正确的方式安装。导流板的弹簧加载部分必须远离锯片。

- 松开一侧的固定螺栓 (1)，并取下导流板 (3)。
- 松开对侧的固定螺栓，并取下第二块导流板以及集尘器 (2)。
- 装入新的集尘器 (2) 和一块导流板 (3)。
 - ▶ 注意观察导流板的定位是否正确。
- 用固定螺栓拧上两个部件。
- 在对侧拧紧第二块导流板和集尘器。
 - ▶ 注意观察导流板的定位是否正确。
 - ▶ 检查集尘器和两块导流板是否牢固固定。



7.6 更换开槽板

开槽板出厂时已设置为不会与锯片发生接触。但开槽板仍然会受到一定程度的磨损。Hilti 提供开槽板备件。用户可以快速简便地进行更换。

1. 松开开槽板的所有固定螺栓，取下磨损的开槽板。
2. 装入新的开槽板。
3. 轻松地拧上固定螺栓，让开槽板有活动的余量。
4. 调节开槽板的位置，使其不会与锯片发生接触。
 - ▶ 尤其要检查左右两侧的最大垂直斜切角。
 - ▶ 所有其他的水平和垂直斜切角同样也需要检查。
5. 完成设置后，手动拧紧所有的固定螺栓。

8 无绳工具和电池的运输及存放

斜切锯的运输

在运输锯机之前，请执行以下步骤：

- ▶ 将锯头向后推至挡块 (推离自己)。
- ▶ 锁定拉出器。→ 页码 329
- ▶ 调整限深器的挡板，使限深器在锯头下降时穿过开口。→ 页码 329
- ▶ 将垂直斜切角设置为 0°。
- ▶ 将锯头向下按，然后推入运输固定装置以锁定锯头。
- ▶ 如有必要，可将附加支撑推入到底。→ 页码 329
- ▶ 将水平斜切角向右调至挡块 (60°)，然后啮合转盘。
- ▶ 取下所有无法牢固固定在锯上的附件 (如螺栓夹)。
- ▶ 如有必要，拆下锁定旋钮，并将其夹在顶端斜切挡块背面的支架之一中。

仅在规定位置搬运锯机：

- 附加支撑下方的把手槽 (1)
- 背面除尘装置旁的把手槽 (2)
- 锯头上的手柄 (3)

电池的运输

-小心-

运输途中的意外启动！

- ▶ 运输产品前务必将电池取出！

- ▶ 取下电池。
- ▶ 切勿松散、未加保护地运输电池。在运输过程中，应保护电池免受过度冲击或振动影响，并将其与任何导电材料或其它电池分开 (因为它们可能会接触到电池端子并导致短路)。请遵守当地的电池运输规定。
- ▶ 请勿以邮寄方式运送电池。有关如何运送完好电池的说明，请咨询您的发货商。
- ▶ 每次使用前以及长时间运输前后都要检查产品和电池是否损坏。

存放

-警告-

故障或泄漏的电池会导致意外损坏！

- ▶ 仅可在未插入电池的情况下存放产品！
- ▶ 请将产品和电池存放至凉爽干燥的地方。请遵守技术数据中规定的温度极限值。
- ▶ 请勿将电池存放在充电器中。充电过程结束后请始终将电池从充电器中取出。
- ▶ 切勿将电池存放在阳光下、热源上或玻璃后。
- ▶ 请将本产品与电池存放在儿童或非授权人员无法接近的位置。
- ▶ 每次使用前以及长时间存放前后都要检查产品和电池是否损坏。

9 故障排除

出现任何故障时，都应注意电池的状态显示。参见锂离子电池指示灯一章。

如果您碰到的问题未在此表中列出或您无法自行排除，请联系 Hilti 维修中心。

故障	可能原因	解决方案
转速突然明显下降。	电池放电。	▶ 给电池充电。



故障	可能原因	解决方案
转速突然明显下降。	进给过高。	▶ 降低进给力，重新接通产品。
锯片不动。	进给过高。	▶ 降低进给力，重新接通产品。
电机没有制动作用。	电池放电。	▶ 给电池充电。
切割角度不准确。	角度精度、刻度尺或指示器设置错误。	▶ 检查并校正设置和显示。 → 页码 334 ▶ 如果您无法自行校正设置或锯机的精度偏差过大，请联系 Hilti 维修中心。
电池 LED 未亮起	电池损坏	▶ 联系 Hilti 维修中心。

10 废弃处置



-警告-

废弃处理不当会有人身伤害的危险！漏出的气体或液体会带来健康危害。

- ▶ 不得通过邮寄方式发送任何电池。
- ▶ 用非导电材料 (比如绝缘带) 包住端子，以防止短路。
- ▶ 在儿童接触不到的地方处置电池。
- ▶ 请将电池送交 **Hilti Store** 处置，或咨询当地的废弃处理机构以获取处置说明。



制造 **Hilti** 产品所用的大部分材料都可回收利用。在可以回收之前，必须正确分离材料。**Hilti** 在很多国家都提供旧工具回收服务。请咨询 **Hilti** 客户服务部门或您的销售顾问。



- ▶ 不要将电动工具、电子设备和电池扔进家庭垃圾中！

11 制造商保修

- ▶ 如对保修条件有任何疑问，请联系您当地的 **Hilti** 代表。

12 更多信息

关于操作、技术、环保和回收的更多信息请查看以下链接：qr.hilti.com/manual/?id=2395172&id=2395174
操作说明末尾也提供二维码链接。





EC Declaration of Conformity | UK Declaration of Conformity



Manufacturer:
Hilti Corporation
Feldkircherstraße 100
9494 Schaan | Liechtenstein

UK Importer:
Hilti (Gt. Britain) Limited
No. 1 Circle Square, 3 Symphony Park
Manchester, England, M1 7FS

SM 60-22 (01)

Serial Numbers: 1-9999999999

2006/42/EC | Supply of Machinery (Safety)
Regulations 2008

2014/30/EU | Electromagnetic Compatibility
Regulations 2016

2011/65/EU | The Restriction of the Use of
Certain Hazardous Substances in Electrical and
Electronic Equipment Regulations 2012

EN 62841-1:2015,
AC:2015, A11:2022

EN IEC 55014-1:2021

EN IEC 62841-3-9:2020, A11:2020

EN IEC 55014-2:2021

Dr. Tahar Zrilli
Head of Quality and Process Management
Business Area Electric Tools & Accessories

Schaan, 17.01.2024

Edward-Louis Przybyłowicz
Head of BU Power Tool & Accessories
Business Area Electric Tools & Accessories



 NURON

B 22-55 (01)	0,56 kg	1.23 lb
B 22-85 (01)	0,77 kg	1.70 lb
B 22-110 (01)	0,92 kg	2.03 lb
B 22-170 (01)	1,34 kg	2.95 lb
B 22-255 (01)	1,87 kg	4.12 lb

C 4-22
C 6-22
C 8-22



Hilti Corporation
LI-9494 Schaan
Tel.:+423 234 21 11
Fax:+423 234 29 65
www.hilti.group



2395174